



US00D976374S

(12) **United States Design Patent**  
**Peng**

(10) **Patent No.:** **US D976,374 S**  
(45) **Date of Patent:** **\*\* Jan. 24, 2023**

(54) **BABY BATH STOOL**  
(71) Applicant: **Shenzhen Qingxianwei E-Commerce Co., Ltd.**, Shenzhen (CN)  
(72) Inventor: **Jinquan Peng**, Laibin (CN)  
(73) Assignee: **Shenzhen Qingxianwei E-Commerce Co., Ltd.**, Shenzhen (CN)  
(\*\*) Term: **15 Years**

D573,800 S 7/2008 Backström et al.  
D652,221 S \* 1/2012 Lee ..... D6/333  
D679,370 S \* 4/2013 Erli ..... D23/304  
9,326,641 B2 \* 5/2016 Murphy ..... A47K 3/12

(21) Appl. No.: **29/858,069**  
(22) Filed: **Oct. 27, 2022**  
(51) **LOC (14) Cl.** ..... **23-02**  
(52) **U.S. Cl.**  
USPC ..... **D23/278**  
(58) **Field of Classification Search**  
USPC ..... D23/278, 304; D6/333, 339  
See application file for complete search history.

**OTHER PUBLICATIONS**

Keter Baby Bathstool Seat, <https://keterbathseat.com/products/keter-baby-bathstool-seat-light-blue> (Year: 2022).\*

\* cited by examiner

*Primary Examiner* — Robert A Delehanty  
(74) *Attorney, Agent, or Firm* — Nitin Kaushik

(57) **CLAIM**

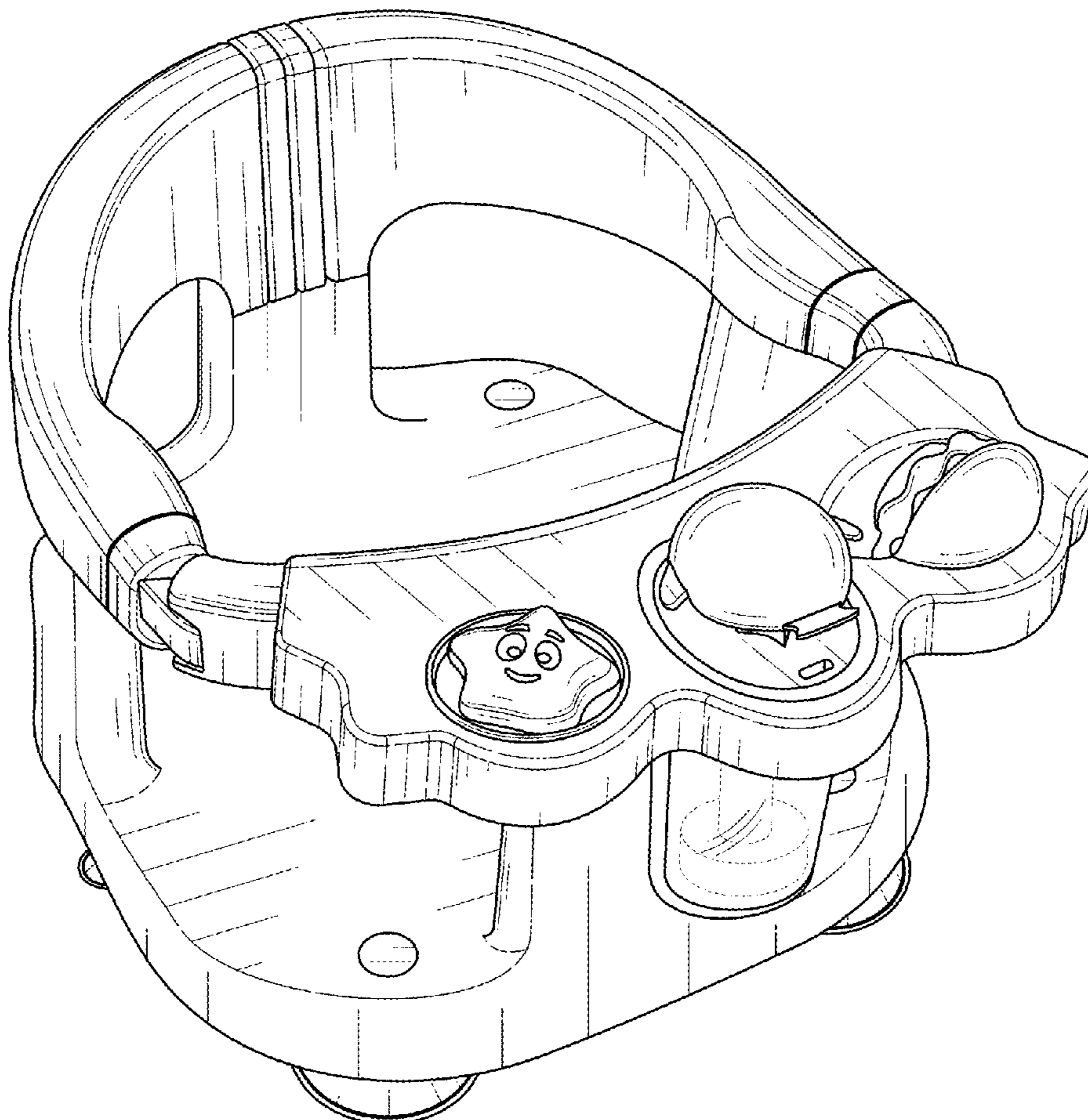
The ornamental design for a baby bath stool, as shown and described.

**DESCRIPTION**

FIG. 1 is a front, top and left side perspective view of a baby bath stool, showing my new design;  
FIG. 2 is a front view thereof;  
FIG. 3 is a rear view thereof;  
FIG. 4 is a right side view thereof;  
FIG. 5 is a left side view thereof; and,  
FIG. 6 is a top view thereof.

(56) **References Cited**  
**U.S. PATENT DOCUMENTS**  
5,317,765 A \* 6/1994 Knoedler ..... A47K 3/127  
D23/304  
D489,538 S \* 5/2004 Shibata ..... D6/333

**1 Claim, 6 Drawing Sheets**



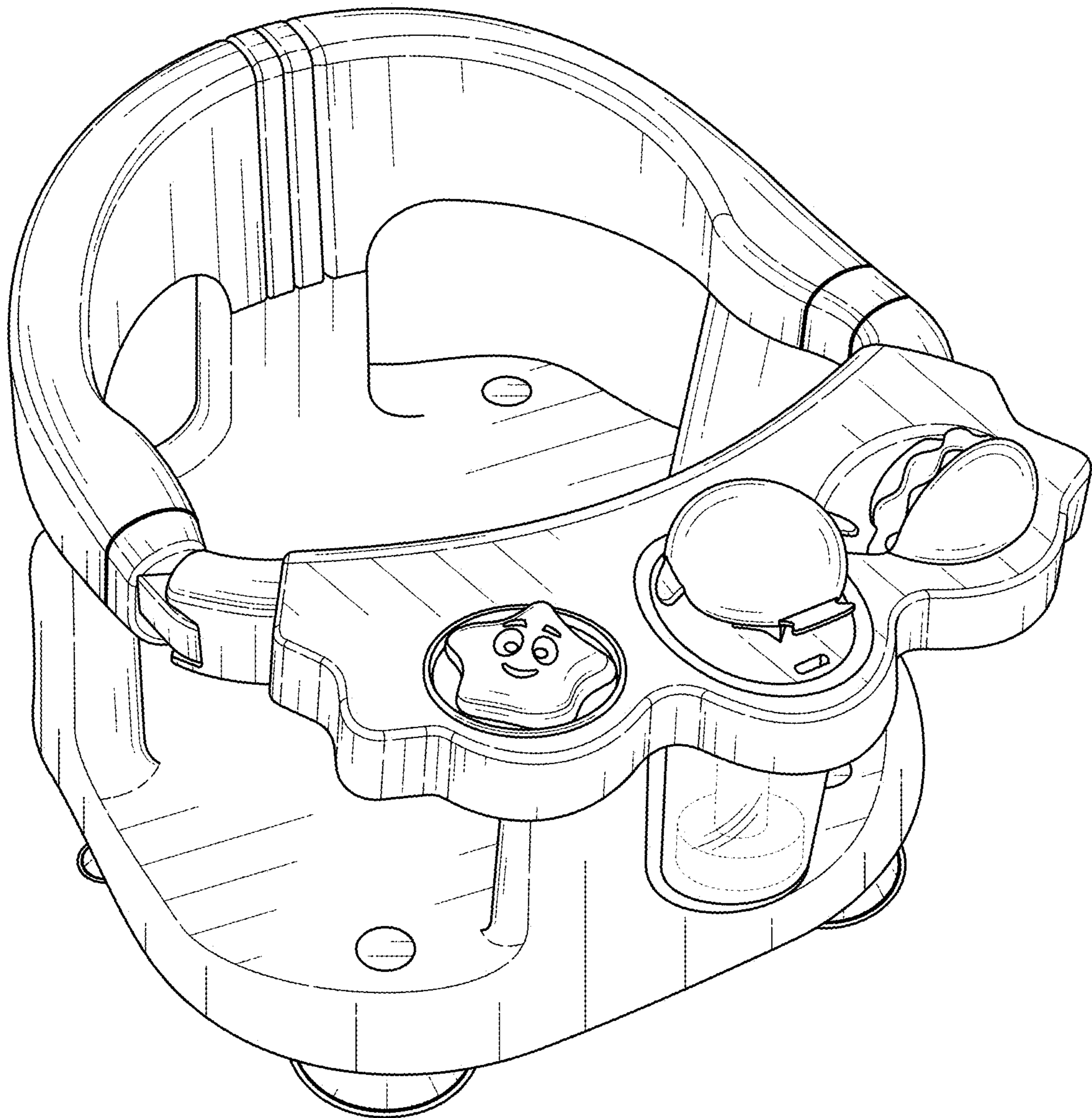


FIG. 1

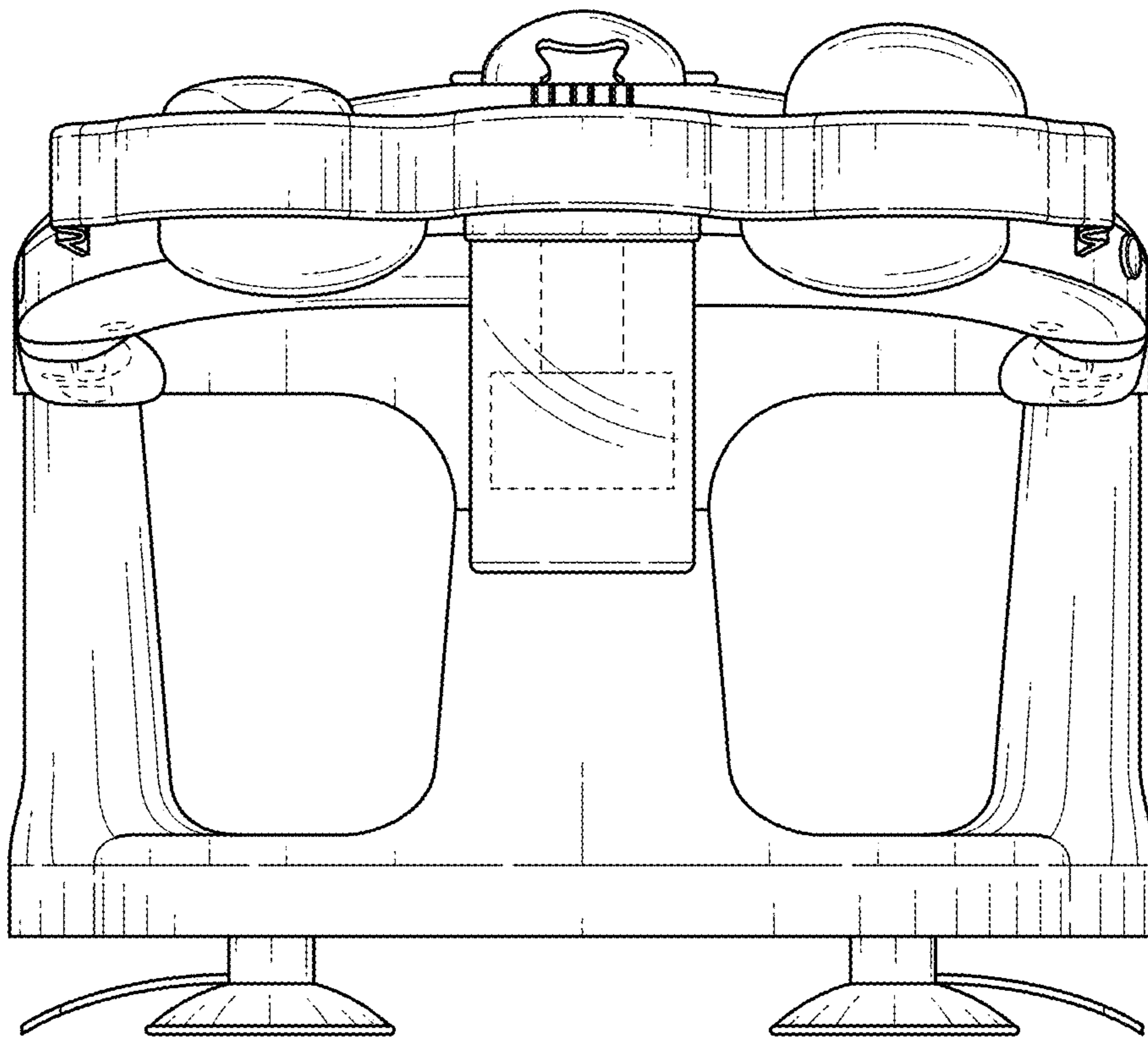


FIG. 2

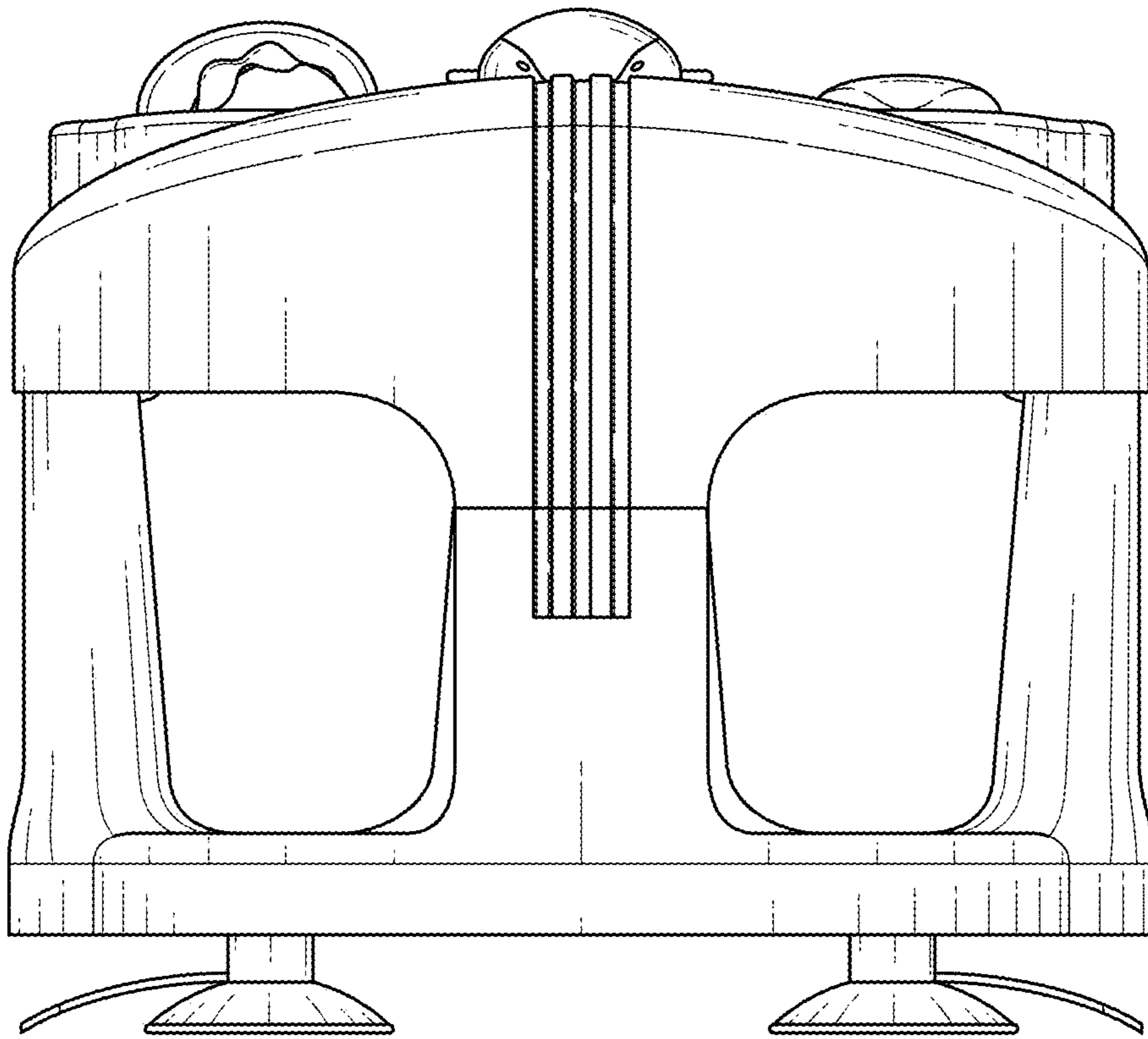


FIG. 3

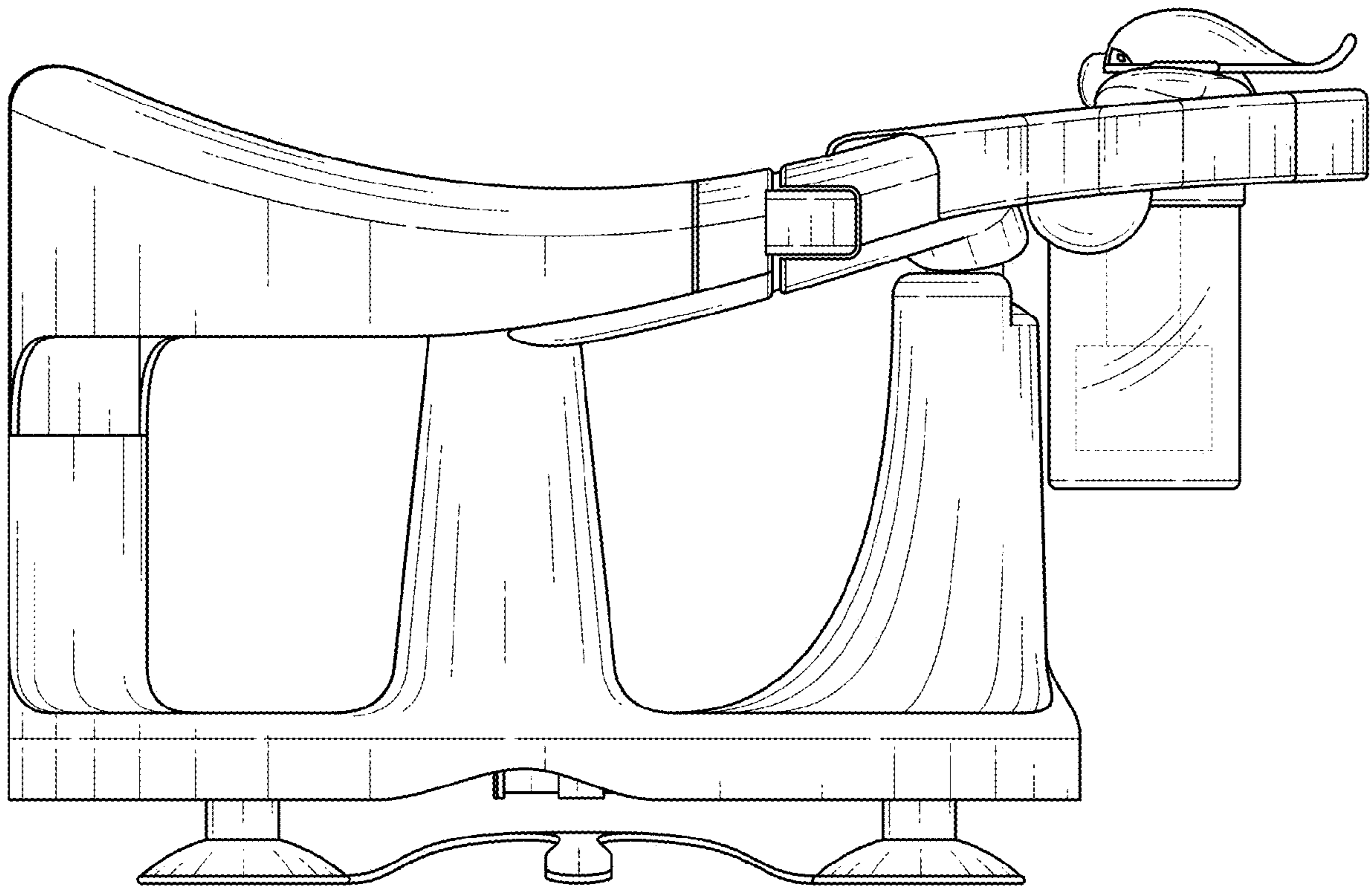


FIG. 4

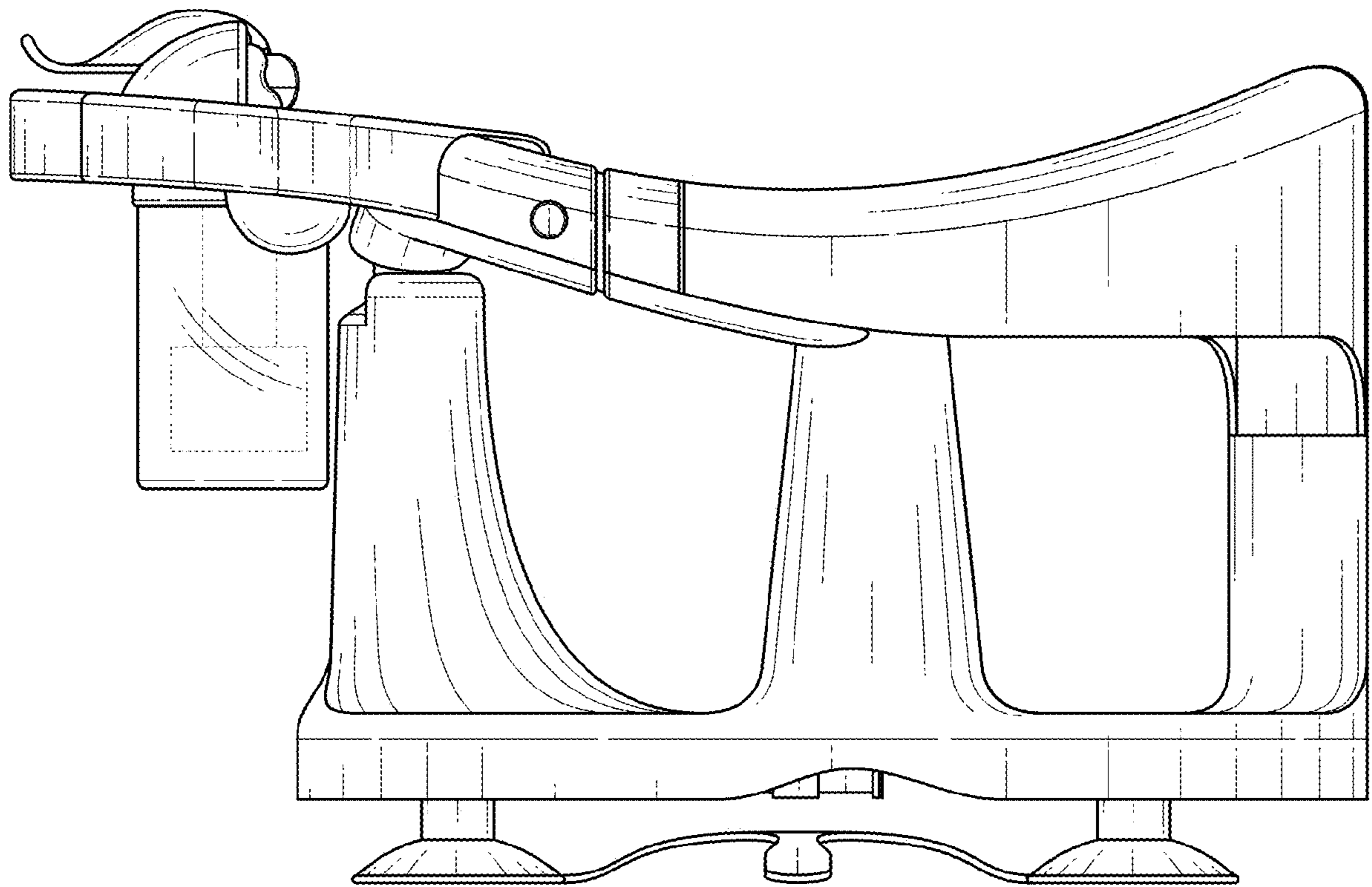


FIG. 5

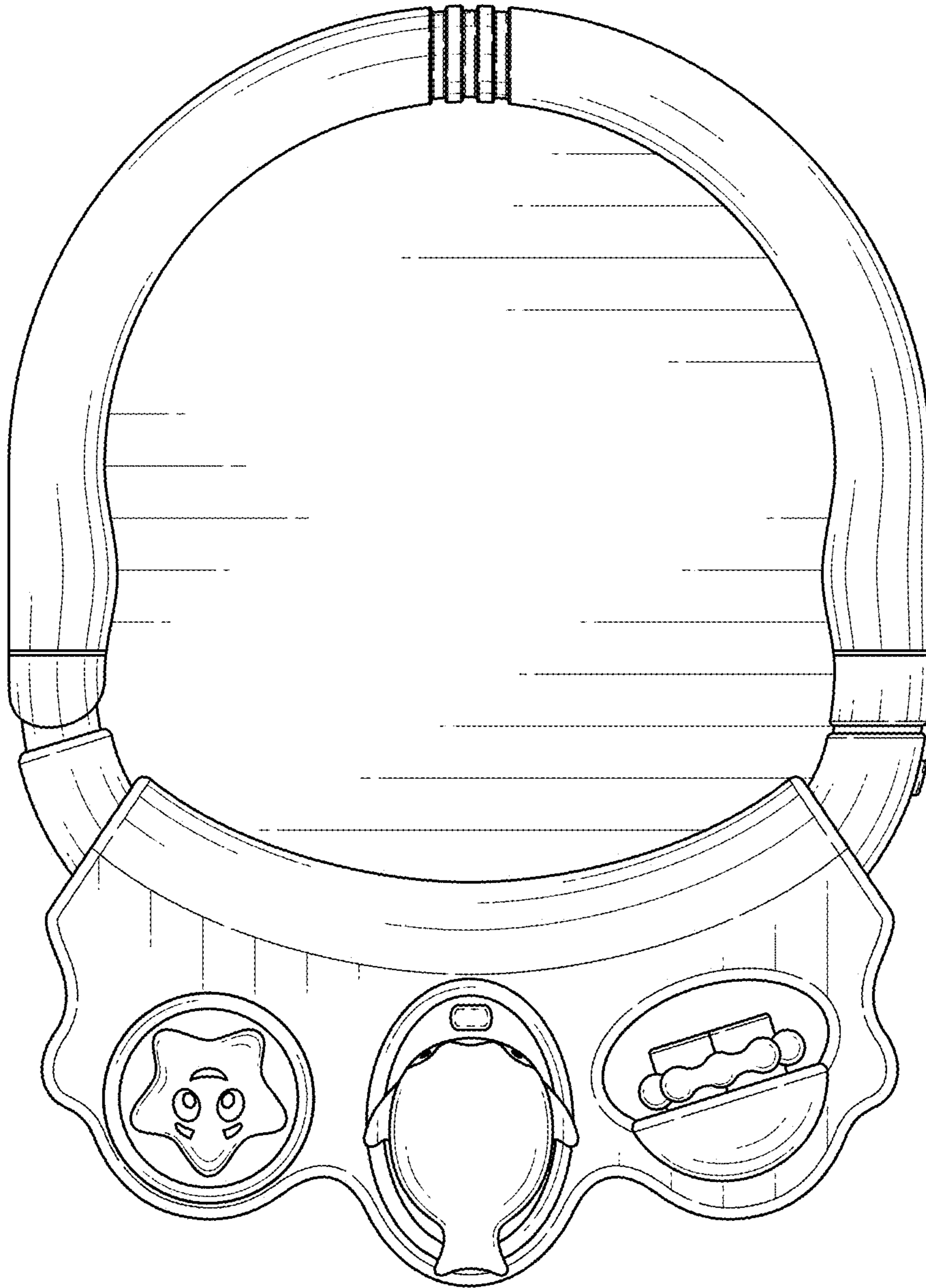


FIG. 6