

US00D976370S

(12) United States Design Patent Kim

(10) Patent No.: **US D976,370 S**
(45) Date of Patent: **** Jan. 24, 2023**

(54) DRAIN STRAINER

FOREIGN PATENT DOCUMENTS

(71) Applicant: **In A Kim**, Duluth, GA (US)

CN 305809526 * 5/2020
JP D1683233 * 4/2021

(72) Inventor: **In A Kim**, Duluth, GA (US)

OTHER PUBLICATIONS

(**) Term: **15 Years**

Aire Allure, 25 Pk, Shower Drain Bathroom Sink Hair Catcher; First Available Sep. 7, 2020; Visited Online Apr. 22, 2022; https://www.amazon.com/dp/B08HL8JKYP/ref=sspa_dk_detail_6?spLa=ZW5jc nlwdGVkUXVhbGlmaWVyPUEXRko2OUdVVVdVOE82JmVuY3 J5cHRIZEIkPUEwMjMzU2MzFQVkk20UE2OUgwOCZlbnN yeXB0ZWRBZEIkPUEwODc0ODE0MzNBQzIWM0RSRUVSNS Z3aWRnZXROYW1IPXNwX2RldGFpbDlmYWN0aW9uPWNsa WNrUmVkaXJlY3QmZG9Ob3RMb2dDbGljaz10cnVI&th=1 (Year: 2020).*

(21) Appl. No.: **29/751,244**

(22) Filed: **Sep. 18, 2020**

(51) **LOC (14) Cl.** **23-01**

(52) **U.S. Cl.**
USPC **D23/261**

(58) **Field of Classification Search**
USPC D23/259, 260–261; D7/667–668
CPC E03B 7/095; E03C 2001/028; E03C
2001/2315

See application file for complete search history.

* cited by examiner

Primary Examiner — Amy C Wierenga
(74) *Attorney, Agent, or Firm* — Cynthia S. Lamon;
Lamon Patent Services

(56) References Cited

U.S. PATENT DOCUMENTS

D284,264 S	*	6/1986	Resan	D8/382
D335,700 S	*	5/1993	Sarnoff	D23/261
D550,819 S	*	9/2007	Seehoff	D23/261
D646,762 S	*	10/2011	Terry	D23/259
D673,246 S	*	12/2012	Lee	D23/260
D686,707 S	*	7/2013	Ychie	D23/261
D691,244 S	*	10/2013	Ho	D23/261
D730,493 S	*	5/2015	Sehl	D23/261
D743,509 S	*	11/2015	Traub	D23/261
D777,887 S	*	1/2017	Johansen	D23/261
D855,160 S	*	7/2019	Najimi	D23/261
D858,695 S	*	9/2019	Chen	D23/209
2009/0246858 A1	*	10/2009	Wray	E03C 1/126 134/93

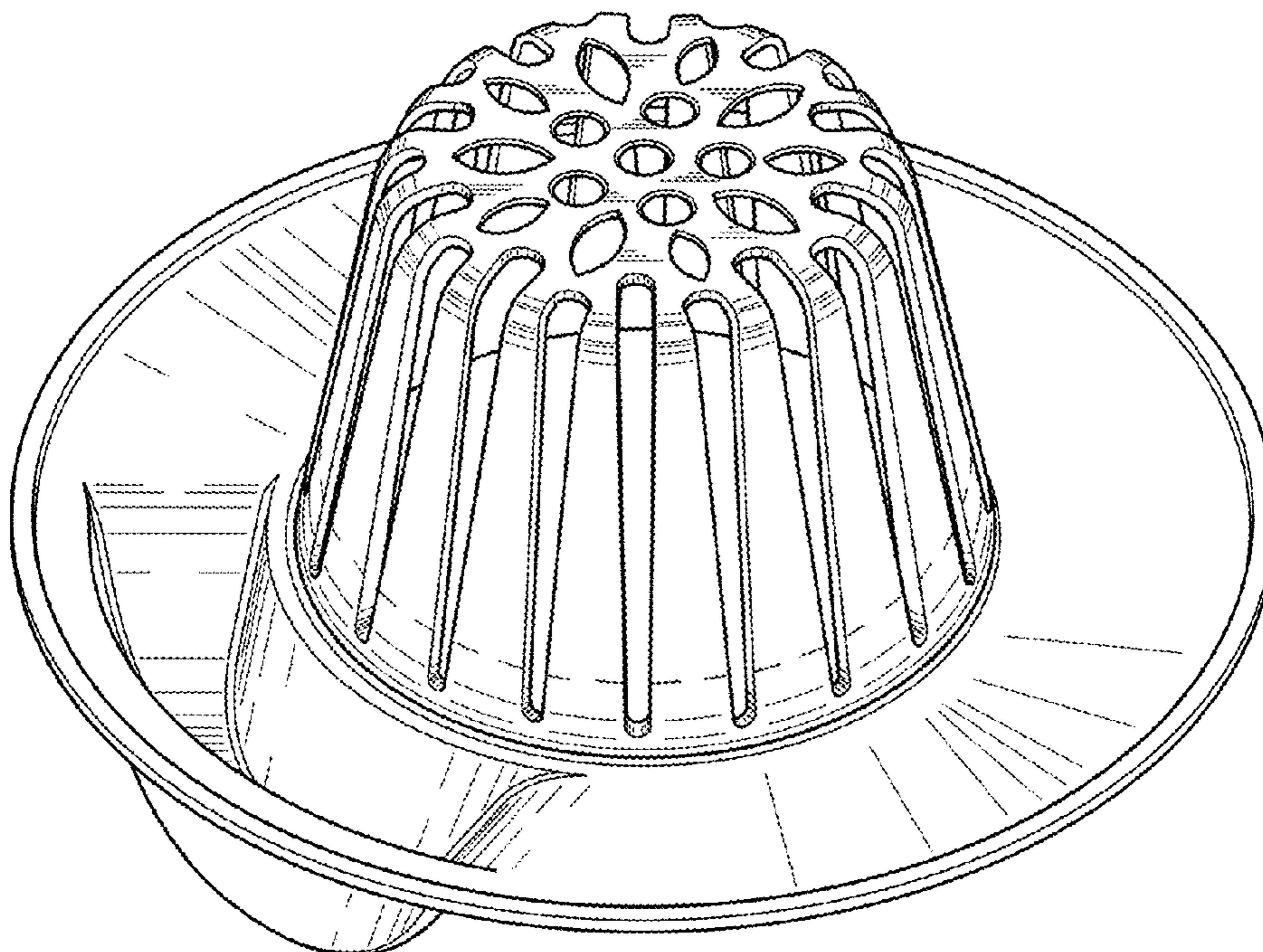
(57) CLAIM

I claim the ornamental design for a drain strainer, as shown and described.

DESCRIPTION

FIG. 1 is a bottom rear perspective view of a drain strainer. FIG. 2 is rear elevation view thereof. FIG. 3 is a front elevation view thereof. FIG. 4 is a right side elevation view thereof. FIG. 5 is a left side elevation view thereof. FIG. 6 is a bottom plan view thereof; and, FIG. 7 is a top plan view thereof.

1 Claim, 7 Drawing Sheets



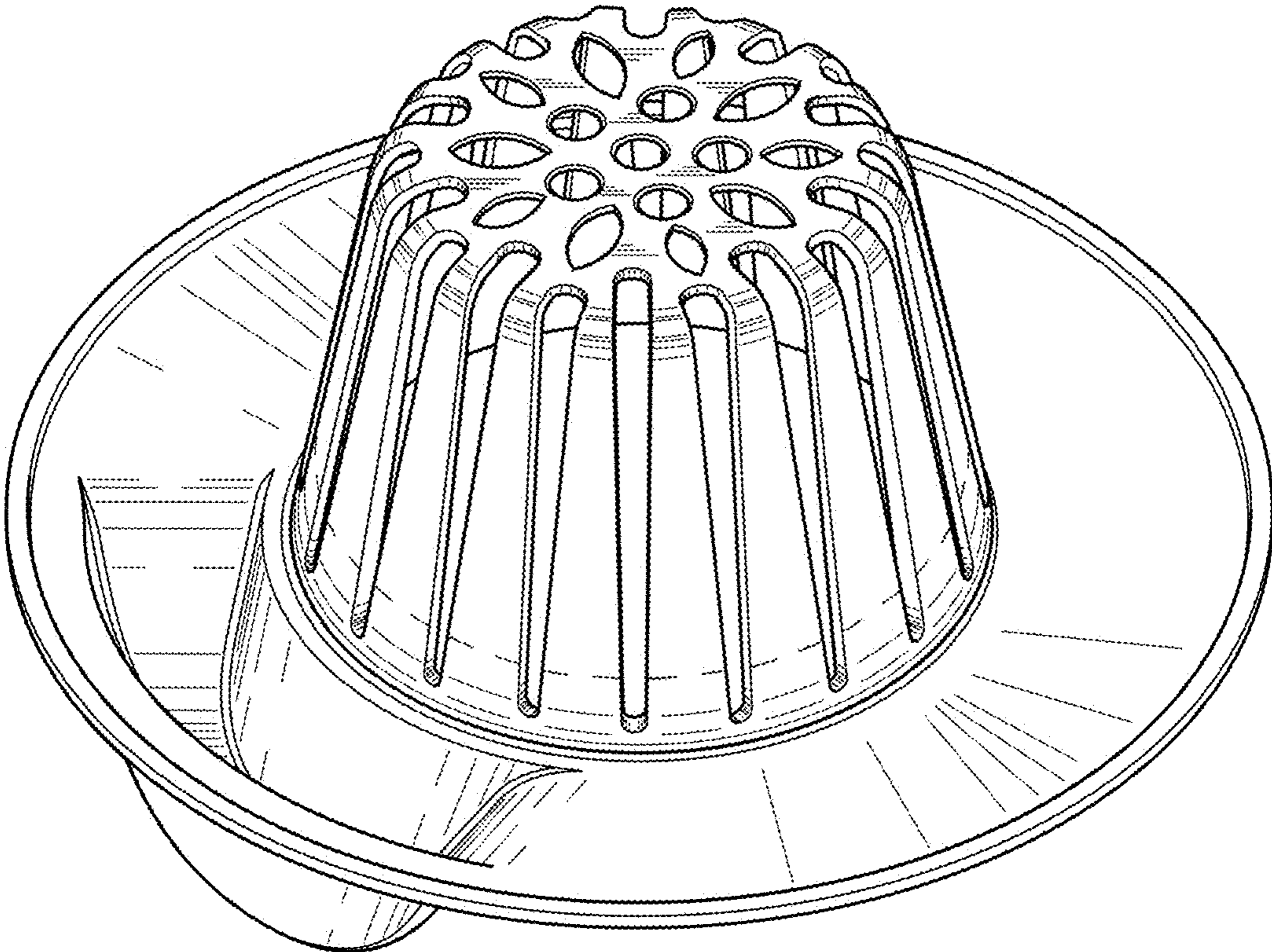


Fig. 1

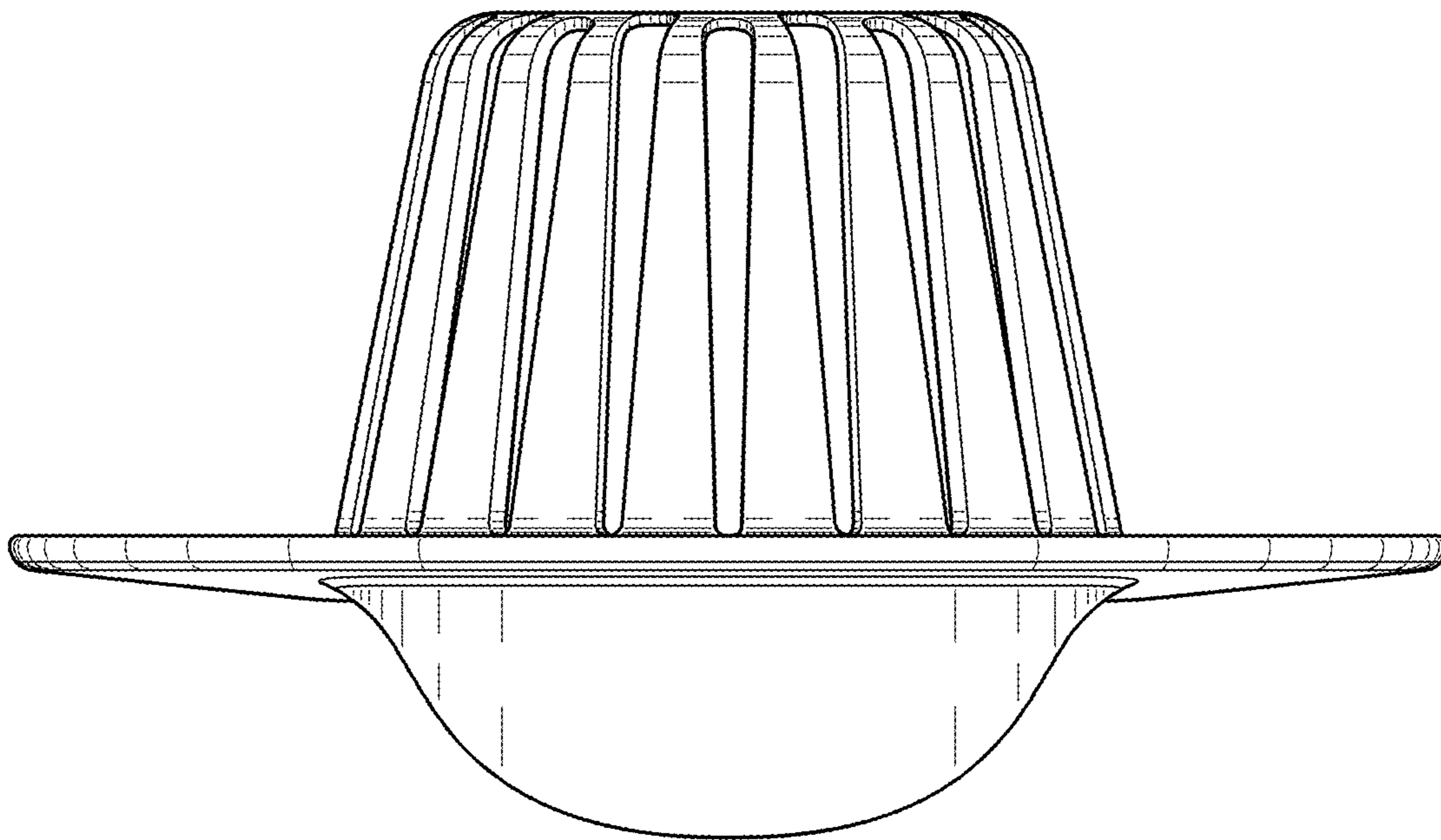


Fig. 2

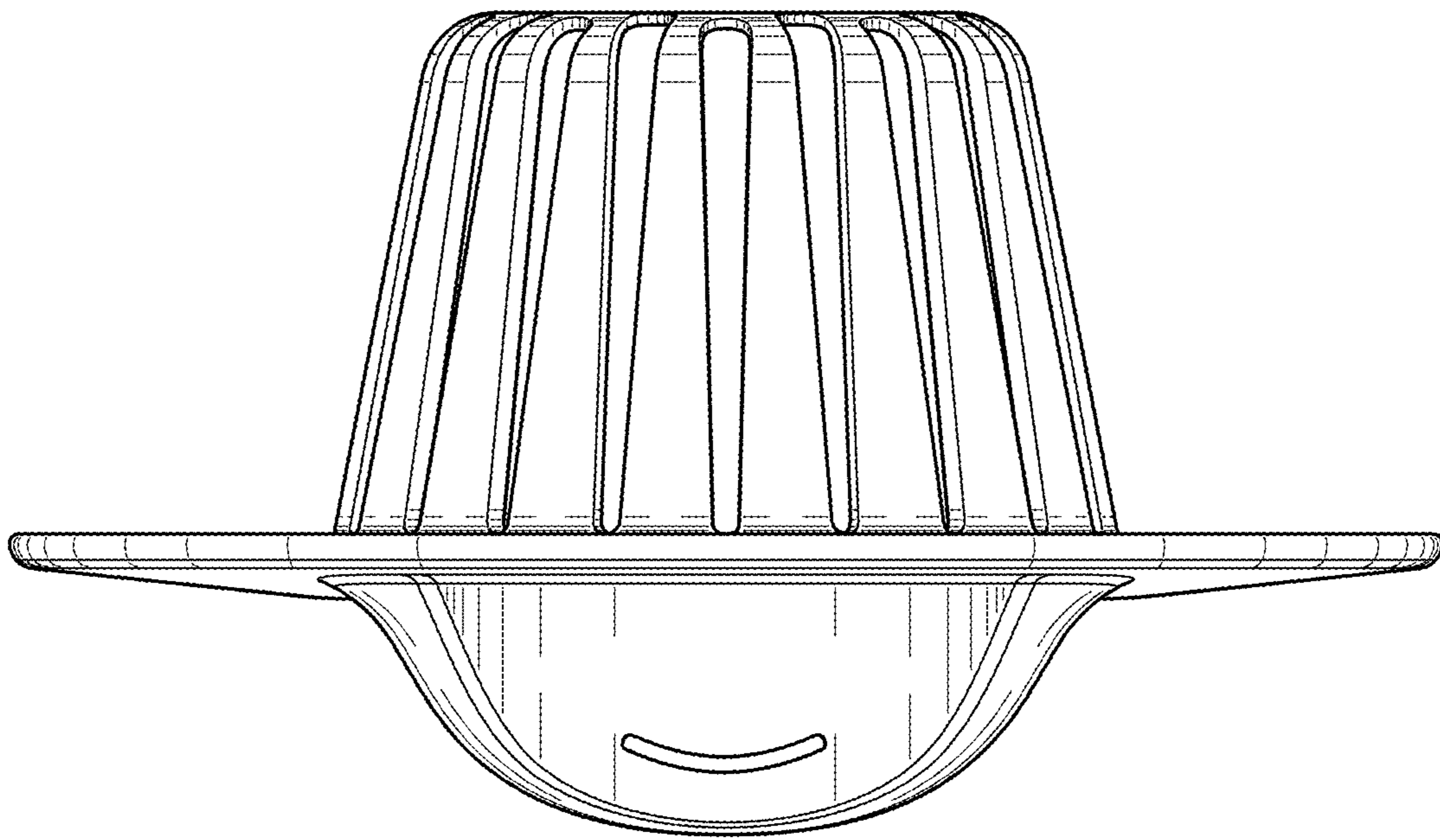


Fig. 3

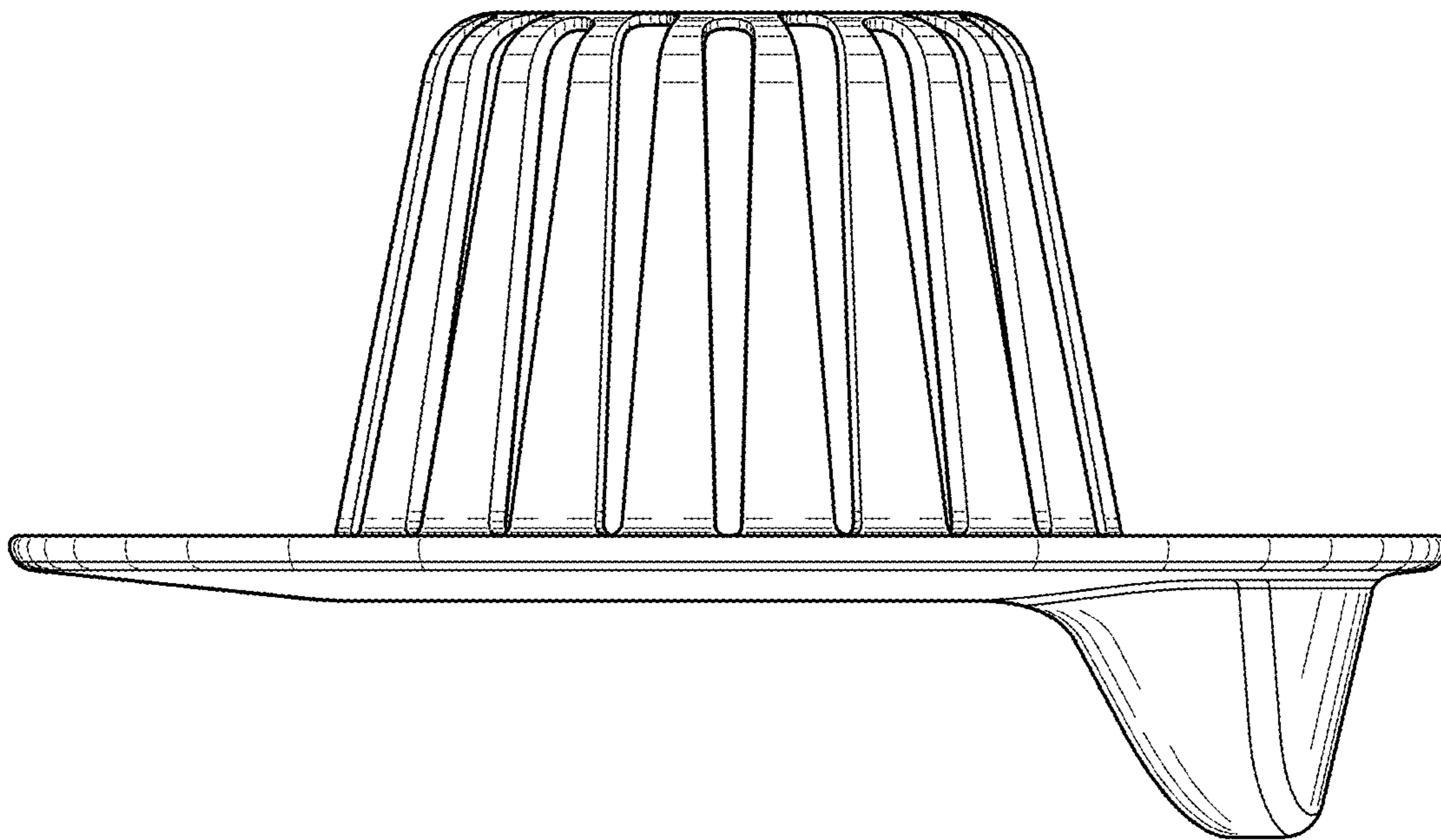


Fig. 4

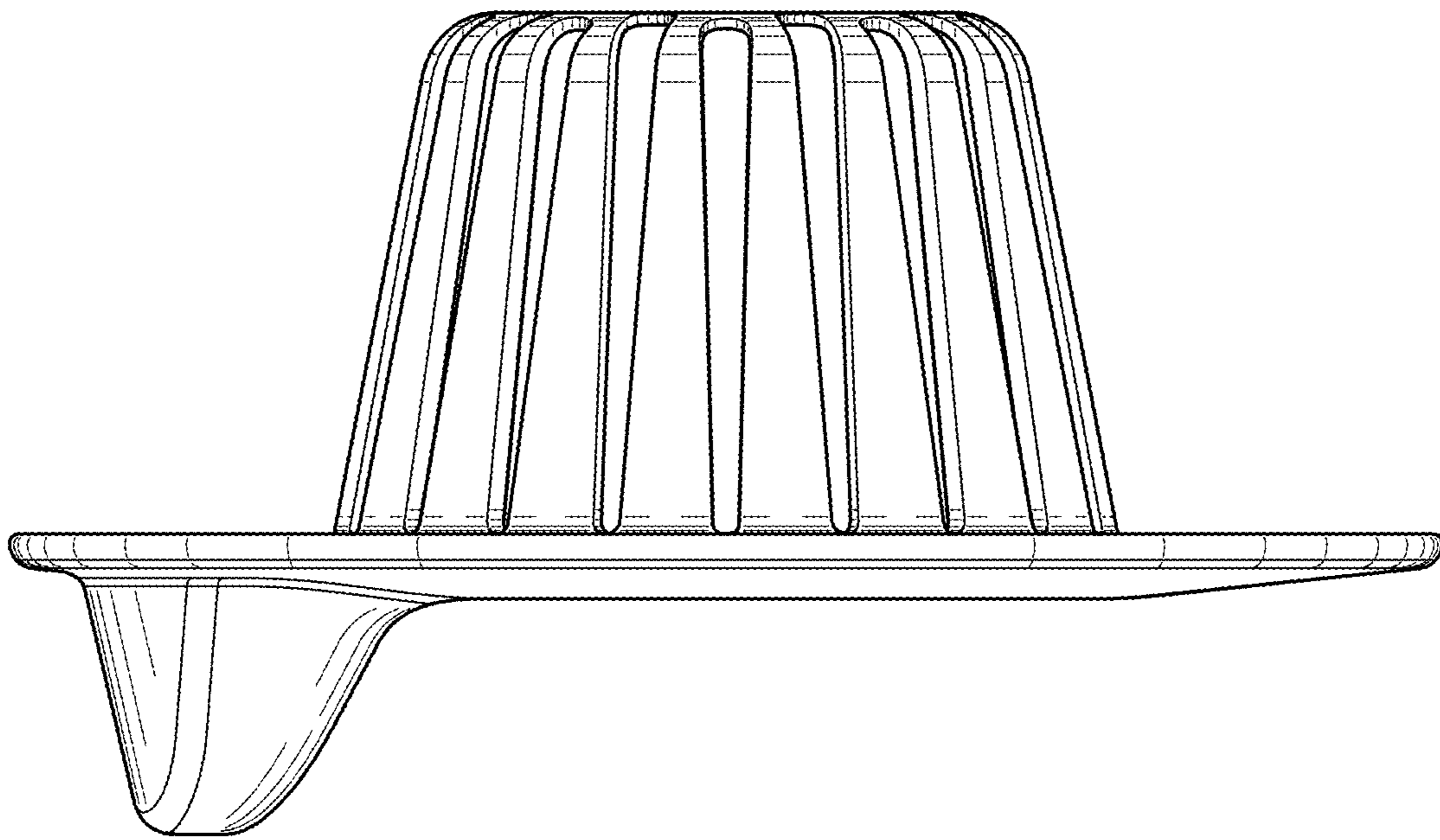


Fig. 5

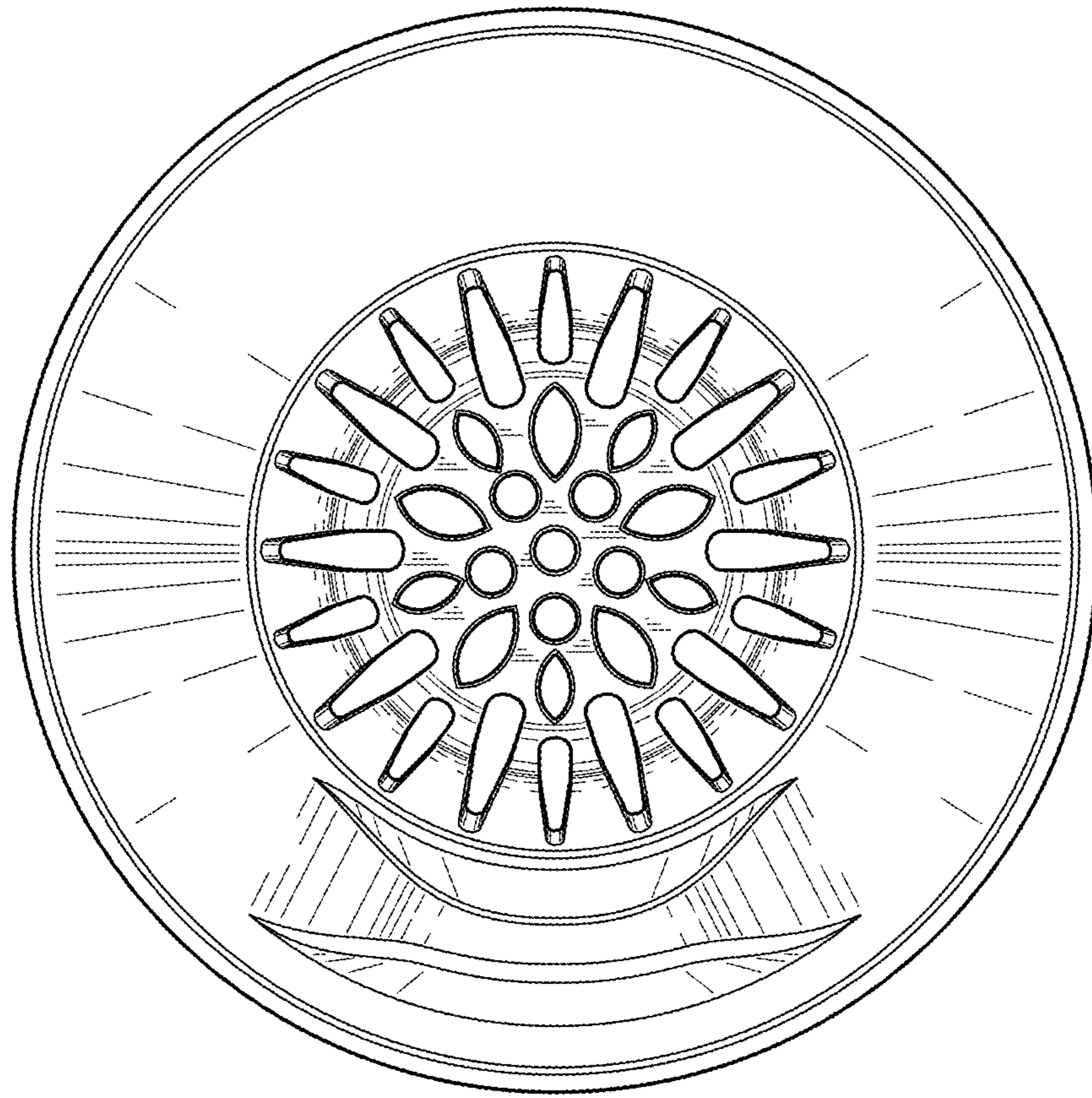


Fig. 6

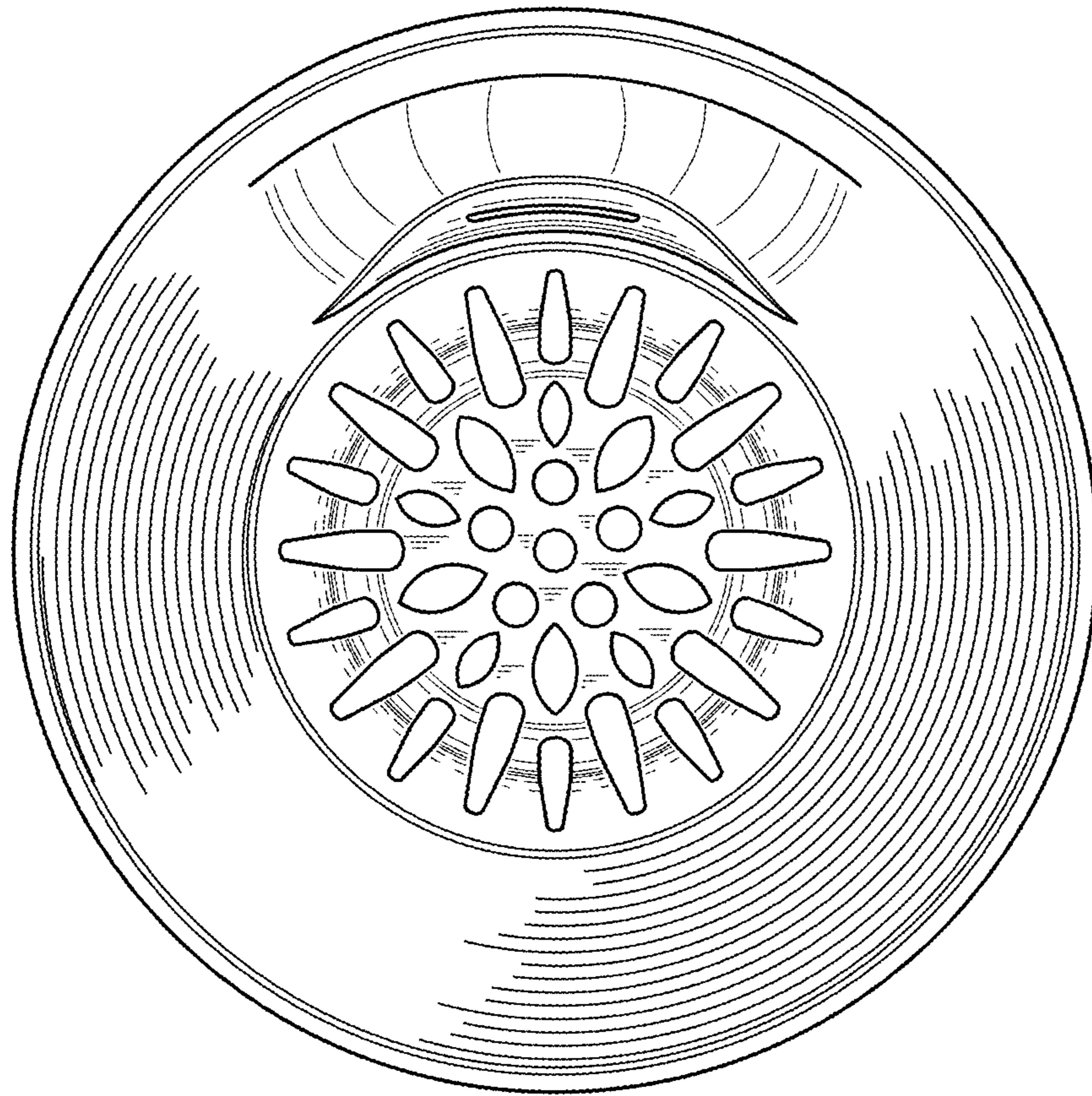


Fig. 7