



US00D976369S

(12) **United States Design Patent**
Chang

(10) **Patent No.:** **US D976,369 S**

(45) **Date of Patent:** **** Jan. 24, 2023**

(54) **FAUCET**

(71) Applicant: **Juanhong Chang**, Suzhou (CN)

(72) Inventor: **Juanhong Chang**, Suzhou (CN)

(**) Term: **15 Years**

(21) Appl. No.: **29/865,483**

(22) Filed: **Jul. 27, 2022**

(51) **LOC (14) Cl.** **23-01**

(52) **U.S. Cl.**
USPC **D23/242**

(58) **Field of Classification Search**

USPC D23/213, 214, 215, 223, 224, 226, 229,
D23/230, 238, 242

CPC A61H 9/0021; A61H 33/00; B05B 1/00;
B05B 1/14; B05B 1/185; B05B 1/08;
B05B 1/02; B05B 1/26; B05B 12/002;
B05B 1/18; B05B 9/01

See application file for complete search history.

(56) **References Cited**

U.S. PATENT DOCUMENTS

D510,612 S *	10/2005	Lammel	D23/242
D520,116 S *	5/2006	Koury	D23/242
D566,815 S *	4/2008	Wang	D23/242
D570,450 S *	6/2008	Dolan	D23/241
D579,082 S *	10/2008	Yuan	D23/250
D608,859 S *	1/2010	Schoenherr	D23/242
D631,529 S *	1/2011	Ko	D23/242
D773,615 S *	12/2016	Potter	D23/242
D811,527 S	2/2018	Fritz		
D855,159 S *	7/2019	Eads	D23/242
D873,961 S	1/2020	Garland		
D904,569 S *	12/2020	Pan	D23/242
D906,481 S *	12/2020	Zhao	D23/242
D926,939 S *	8/2021	Mamaril	D23/242
D946,122 S *	3/2022	Park	D23/242
D961,051 S *	8/2022	Zeng	D23/241

OTHER PUBLICATIONS

ROFFENNY Brushed Nickel Bathroom Faucet, Jul. 26, 2021, amazon.ca, Oct. 4, 2022, URL: <https://www.amazon.ca/ROFFENNY-Brushed-Bathroom-Widespread-Faucets/dp/B09B79RKTC/> (Year: 2021).*

Delta Faucet Trinsic Chrome Bathroom Faucet, Jun. 29, 2021, amazon.ca, Oct. 4, 2022, URL: <https://www.amazon.ca/Delta-Faucet-2559-MPU-DST-Trinsic-Centerset/dp/B097YV6H5F/> (Year: 2021).*

ROFFENNY Brushed Gold Bathroom Faucet, Jun. 1, 2022, amazon.ca, Oct. 5, 2022, URL: <https://www.amazon.ca/dp/B0B2X59Z7K/> (Year: 2022).*

Delta Faucet Cassidy 2-Handle Widespread Bathroom Faucet, Jul. 24, 2012, amazon.ca, Oct. 5, 2022, URL: <https://www.amazon.ca/Delta-Widespread-Faucet-Champagne-3597LF-CZMPU/dp/B008JVLH1S/>(Year: 2012).*

(Continued)

Primary Examiner — Keith J Wilson

(57) **CLAIM**

The ornamental design for a faucet, as shown and described.

DESCRIPTION

FIG. 1 is a perspective view of a faucet showing my new design;

FIG. 2 is another perspective view thereof;

FIG. 3 is a front elevational view thereof;

FIG. 4 is a rear elevational view thereof;

FIG. 5 is a left side elevational view thereof;

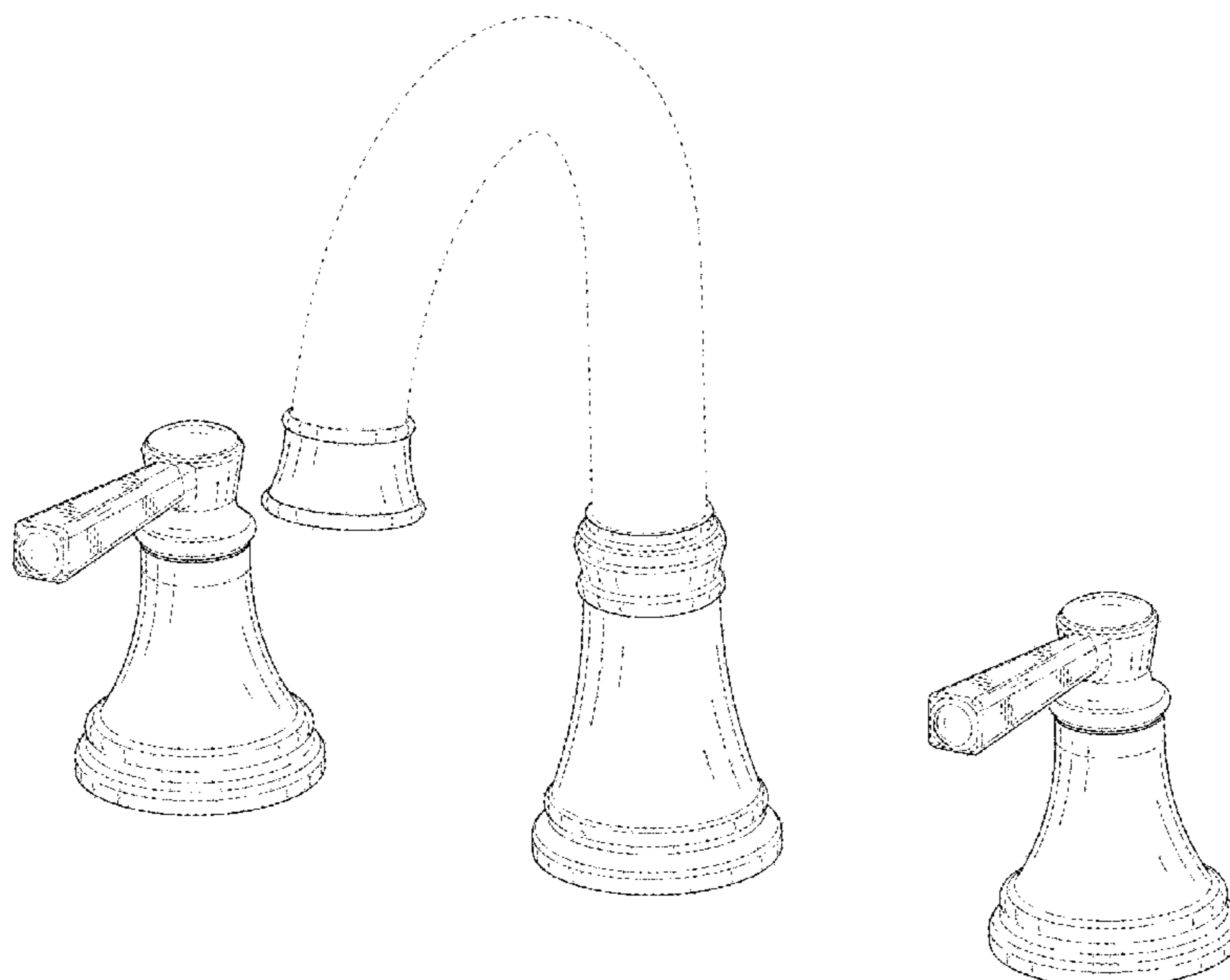
FIG. 6 is a right side elevational view thereof;

FIG. 7 is a top plan view thereof; and,

FIG. 8 is a bottom plan view thereof.

The broken lines in the drawings depict portions of the faucet that form no part of the claimed design.

1 Claim, 8 Drawing Sheets



(56)

References Cited

OTHER PUBLICATIONS

Matte Black Bathroom Faucet, High Arc Gooseneck, Jul. 28, 2021, amazon.ca, Oct. 5, 2022, URL: <https://www.amazon.ca/Bathroom-Faucet-Gooseneck-Widespread-Faucets/dp/B09BCL5R8D/> (Year: 2021).*

Pfister Breckenridge Bathroom Faucet 8", Oct. 20, 2019, amazon.ca, Oct. 5, 2022, URL: <https://www.amazon.ca/Pfister-LF049BCBB-Breckenridge-Widespread-Bathroom/dp/B07NFB755R/> (Year: 2019).*

* cited by examiner

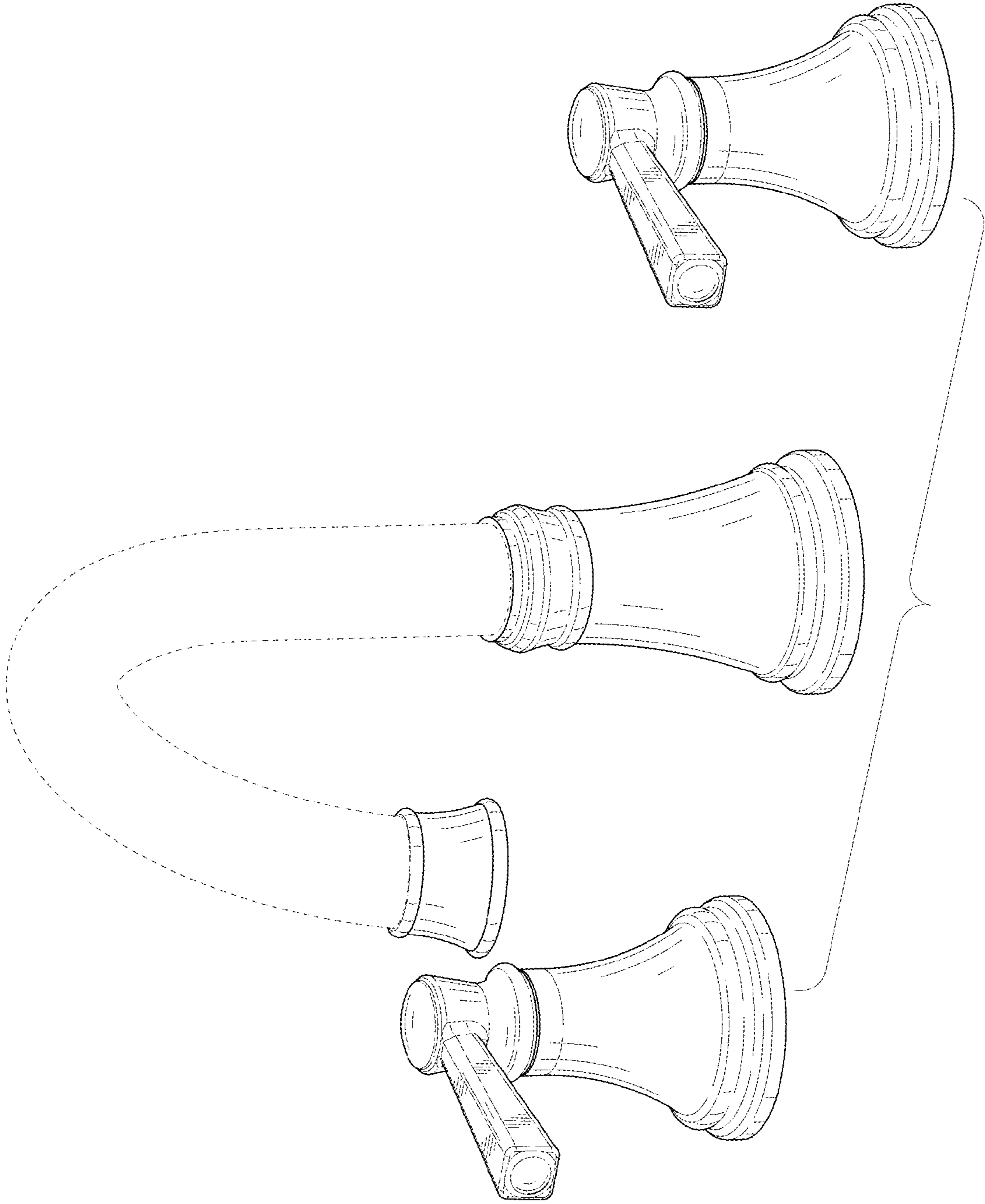


FIG. 1

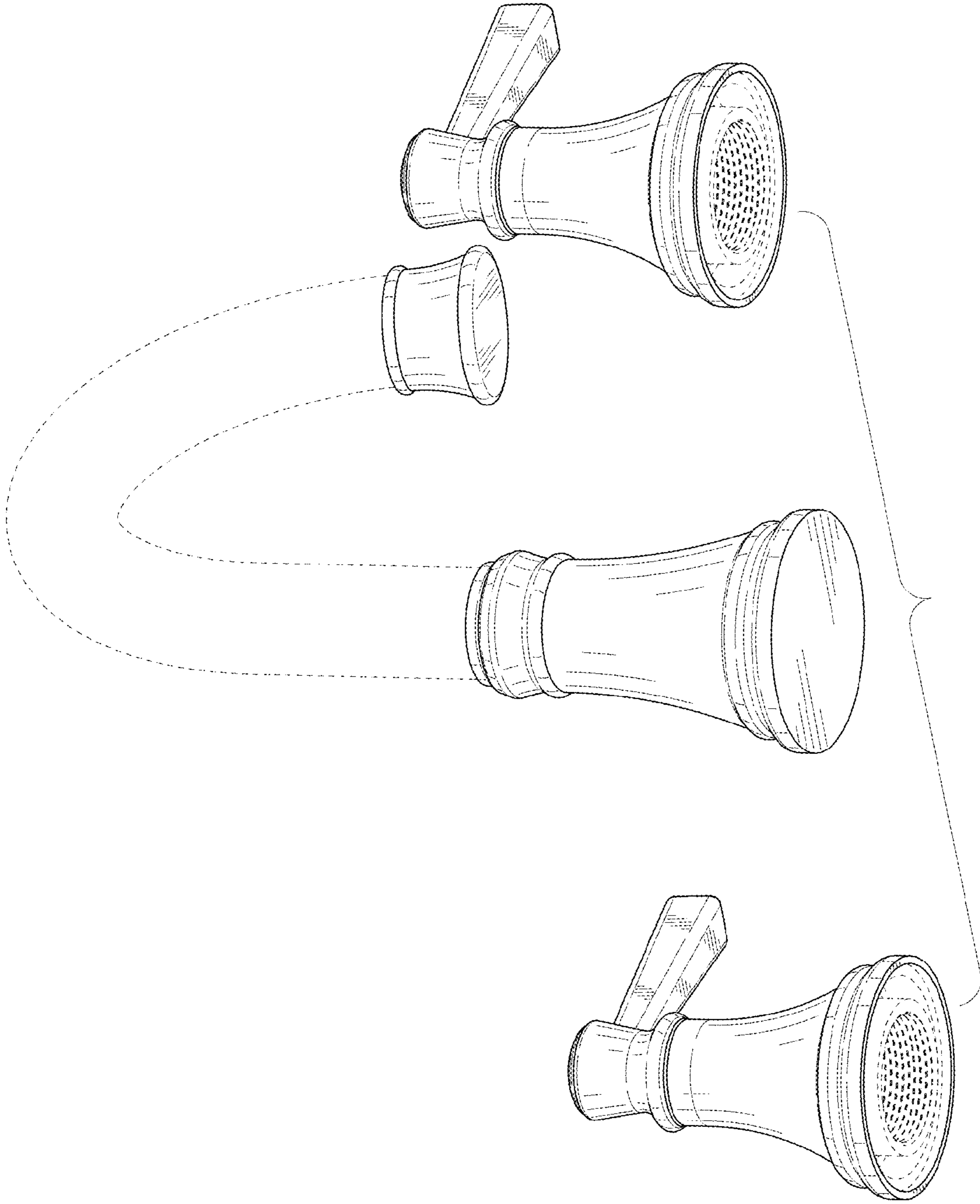


FIG. 2

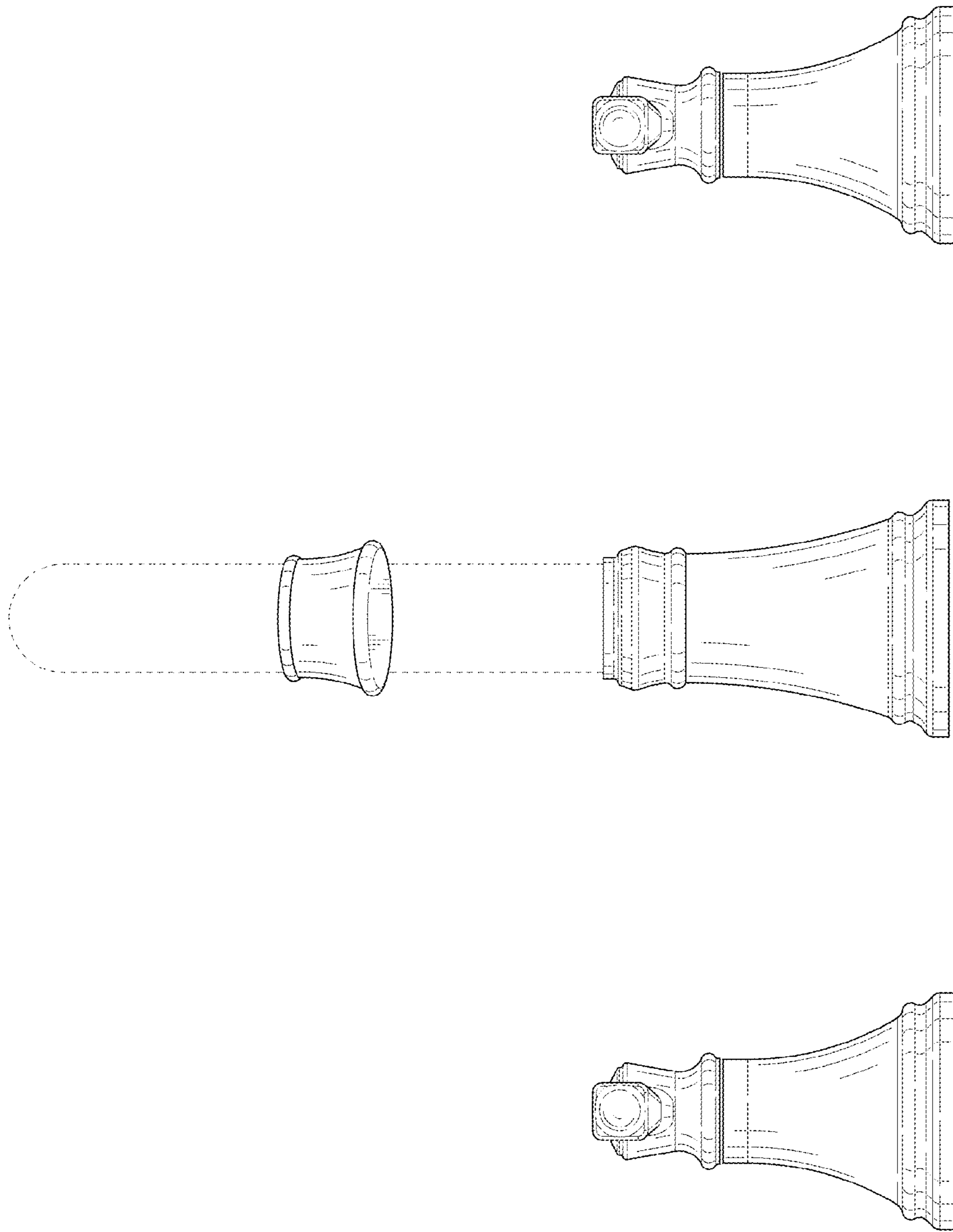


FIG. 3

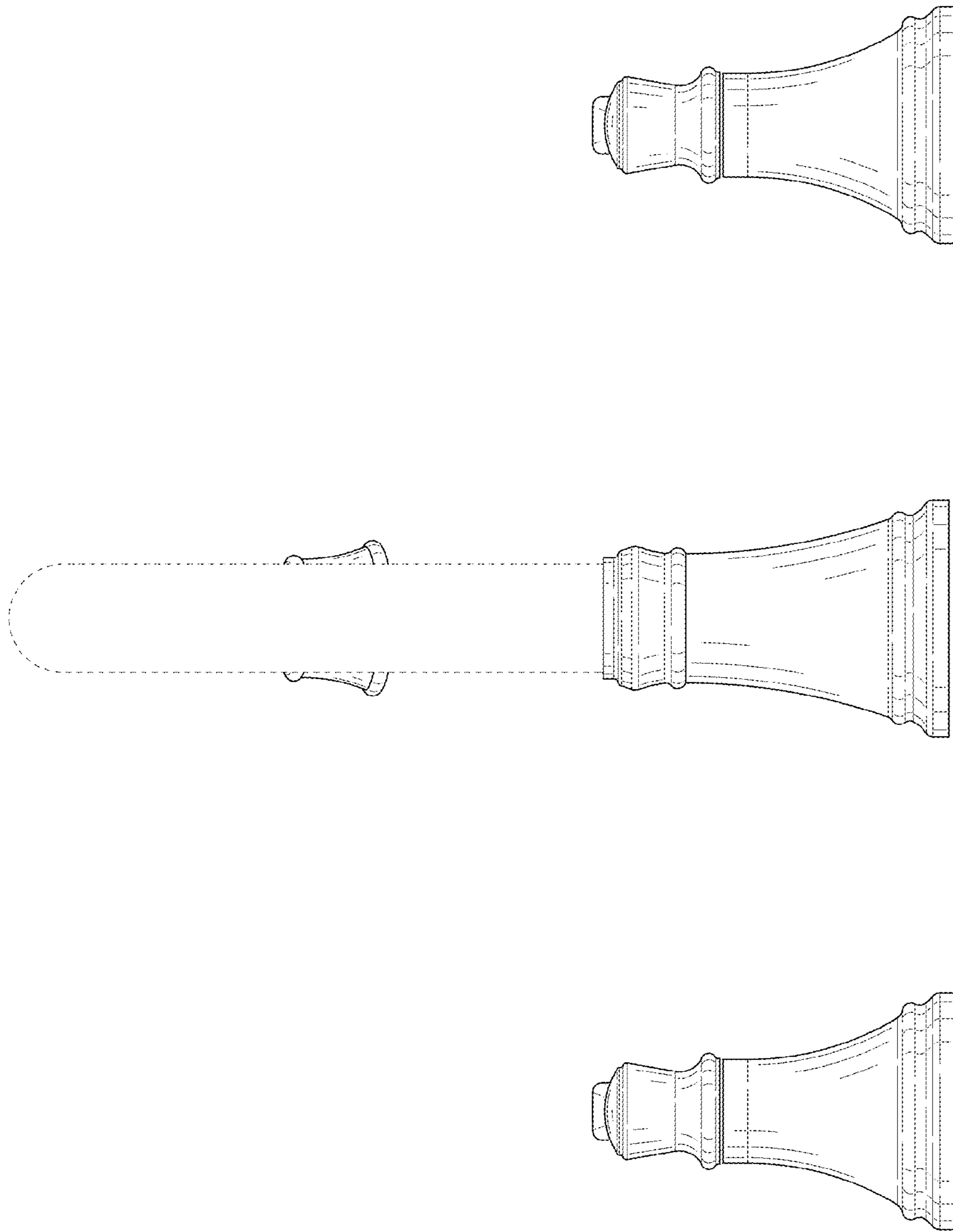


FIG. 4

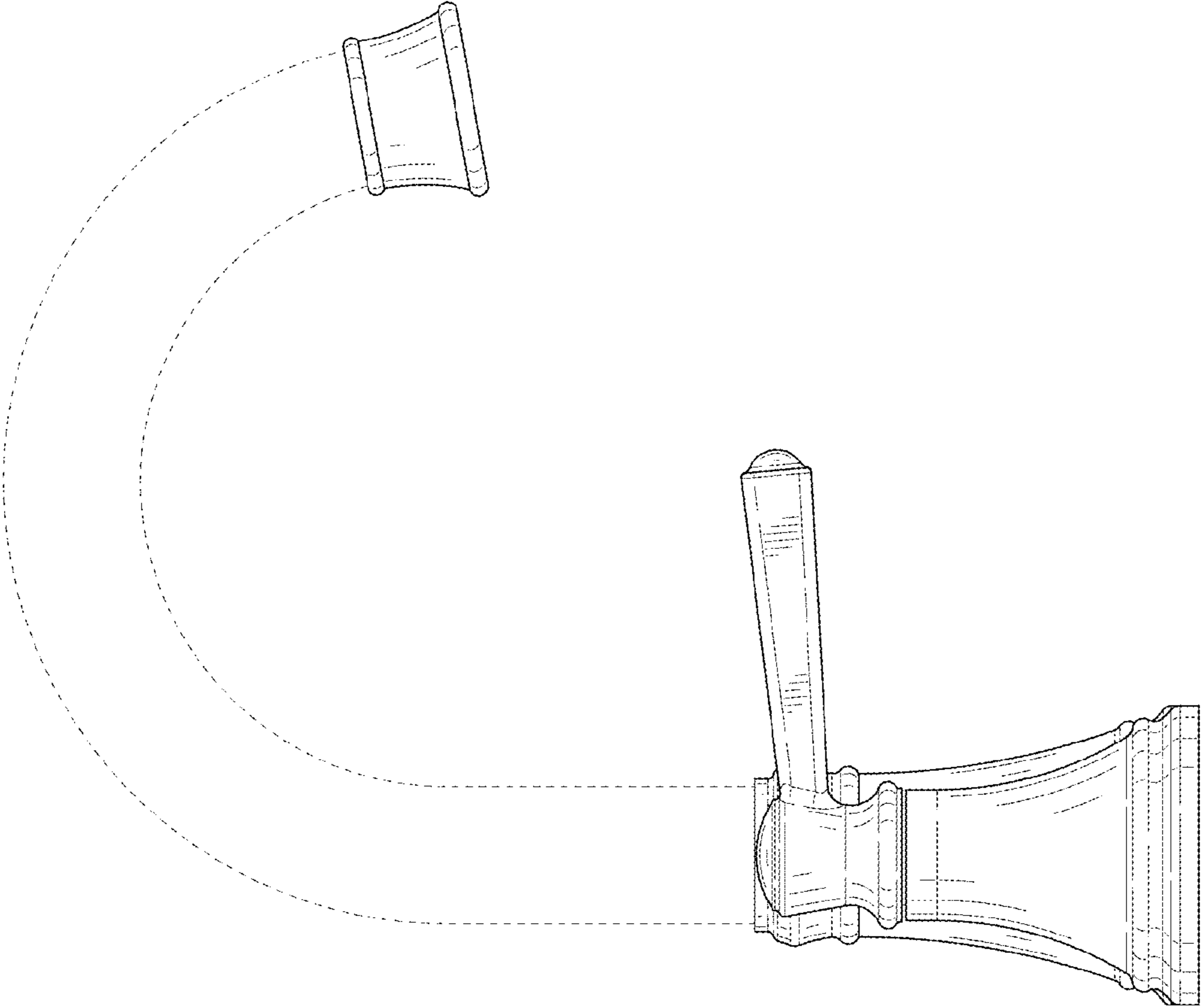


FIG. 5

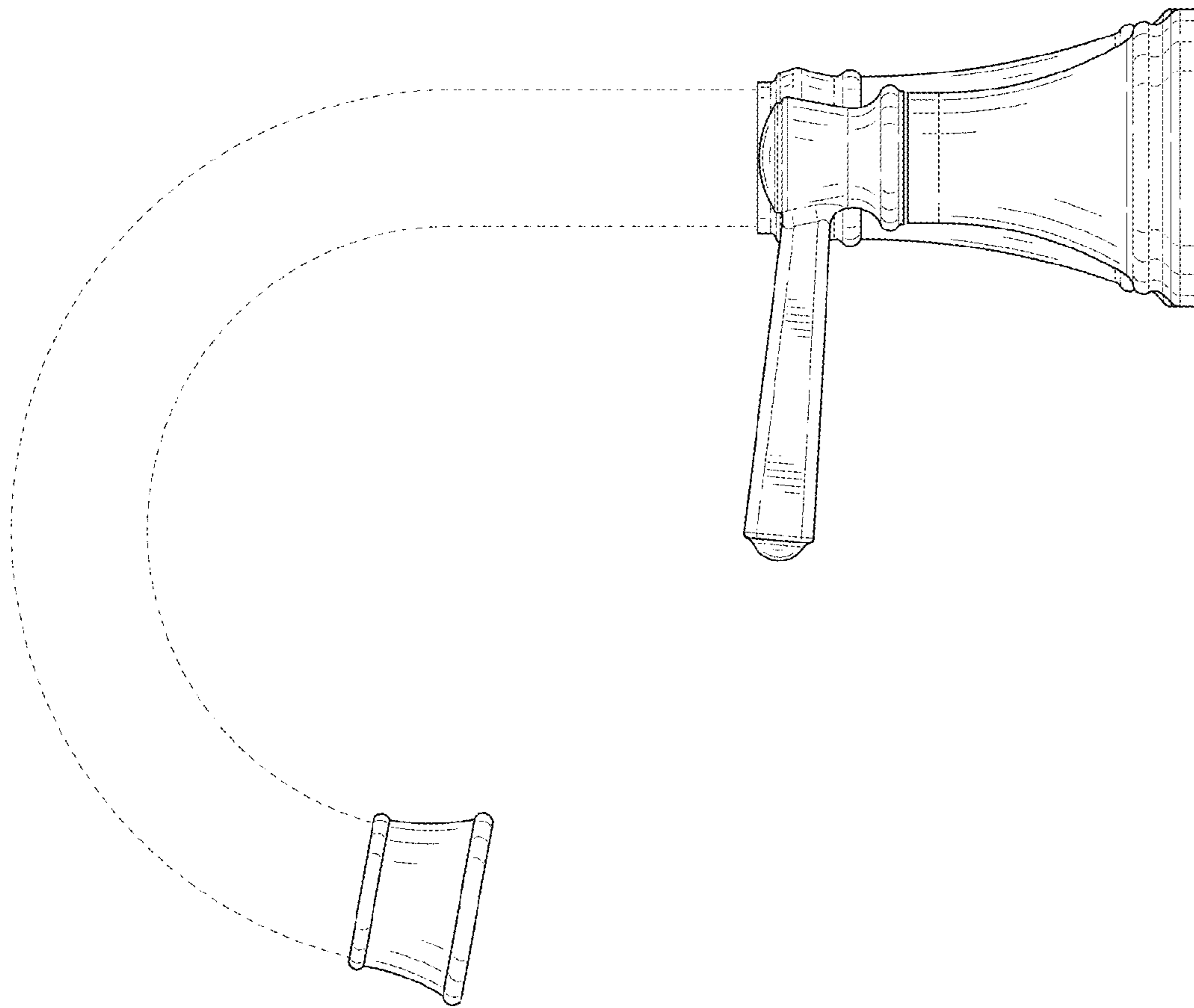


FIG. 6

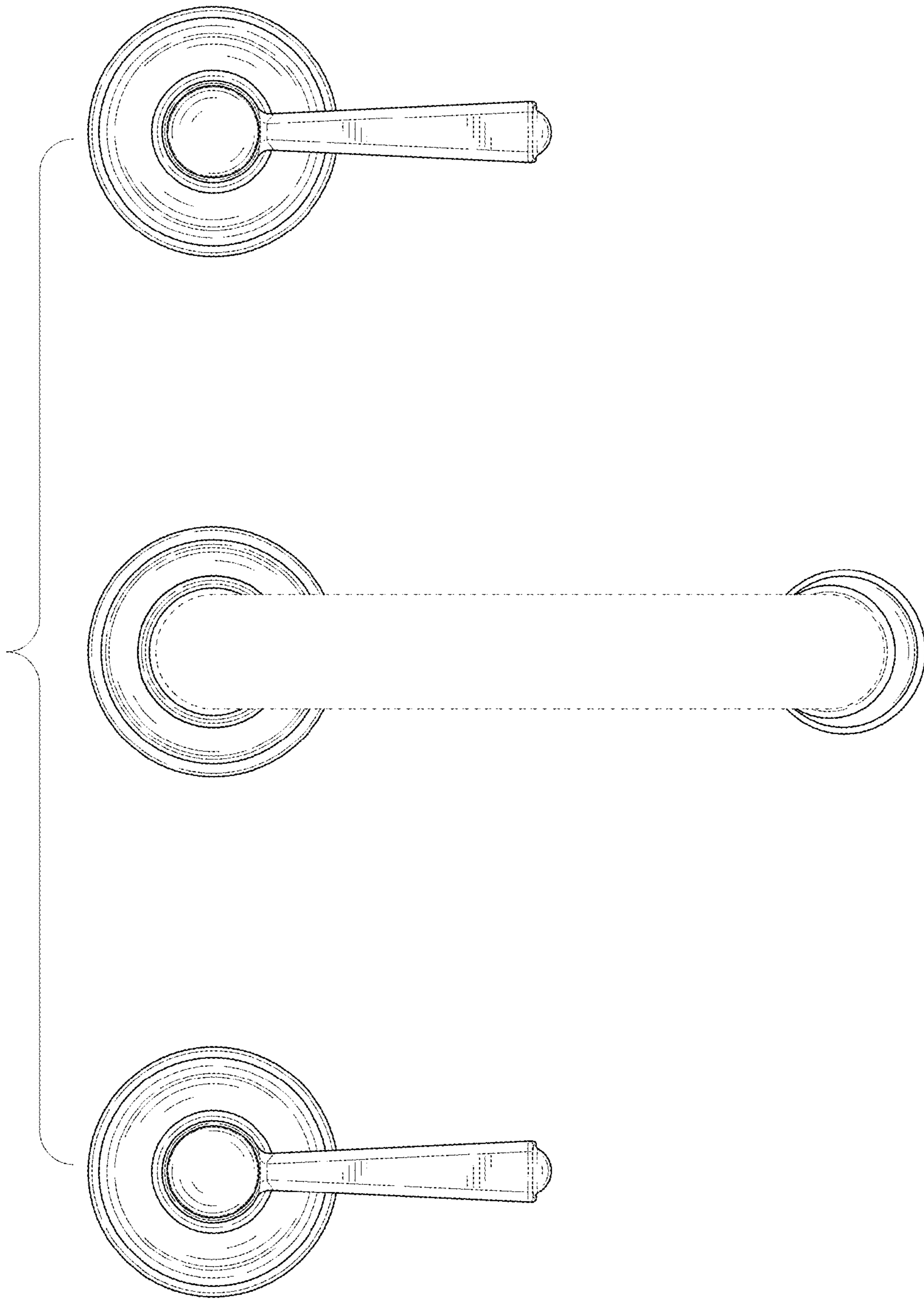


FIG. 7

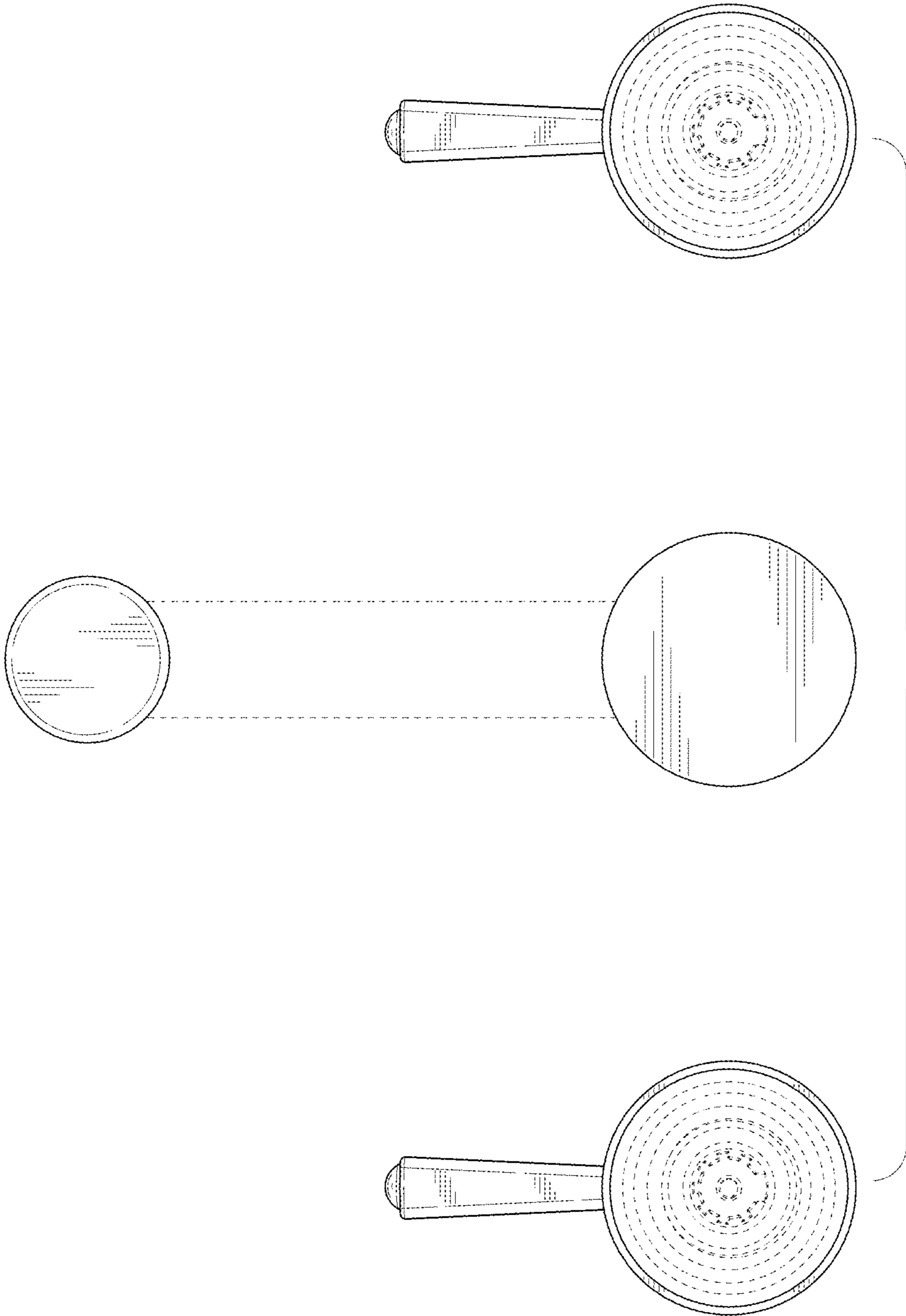


FIG. 8