



US00D976366S

(12) **United States Design Patent**
Witt et al.

(10) **Patent No.:** **US D976,366 S**
(45) **Date of Patent:** **** Jan. 24, 2023**

(54) **FAUCET**
(71) Applicant: **HANSGROHE SE**, Schiltach (DE)
(72) Inventors: **Alvaro Witt**, Stuttgart (DE); **Andreas Diefenbach**, Ludwigsburg-Ossweil (DE)
(73) Assignee: **Hansgrohe SE**, Schiltach (DE)
(**) Term: **15 Years**

D790,666 S * 6/2017 Lord D23/239
D799,642 S * 10/2017 Sieger D23/238
D799,644 S * 10/2017 Sieger D23/242
D810,239 S * 2/2018 Schoenherr D23/238
D810,240 S * 2/2018 Schoenherr D23/238
D857,171 S * 8/2019 Bahler D23/238
D913,430 S * 3/2021 Seum D23/238
D914,152 S * 3/2021 Ando D23/239
2017/0159272 A1* 6/2017 Butzke B05B 1/169
2020/0217052 A1* 7/2020 Li E03C 1/0403

(21) Appl. No.: **29/769,326**
(22) Filed: **Feb. 4, 2021**
(51) **LOC (14) Cl.** **23-01**
(52) **U.S. Cl.**
USPC **D23/238**
(58) **Field of Classification Search**
USPC D23/238, 239, 240, 241, 242, 243, 246,
D23/247, 249, 250, 251, 252, 253, 254,
D23/255, 256, 257
CPC E03C 1/01; E03C 1/0409; E03C 1/025;
E03C 1/0408; E03C 1/04; E03C 1/0401;
E03C 1/0402; E03C 1/0405; E03C
1/0412; Y10T 137/5339; Y10T 137/6014;
Y10T 137/6021
See application file for complete search history.

FOREIGN PATENT DOCUMENTS

CN 94309679 * 11/1994
CN 301729065 11/2011
CN 302309880 1/2013
CN 302782232 8/2014
CN 305104918 8/2019
EM 002143529-0001 11/2012
EM 002899989-0012 12/2015

(Continued)

Primary Examiner — Samantha Wood
(74) *Attorney, Agent, or Firm* — Lora J. Graentzdoerffer

(57) **CLAIM**

The ornamental design for a faucet, as shown and described.

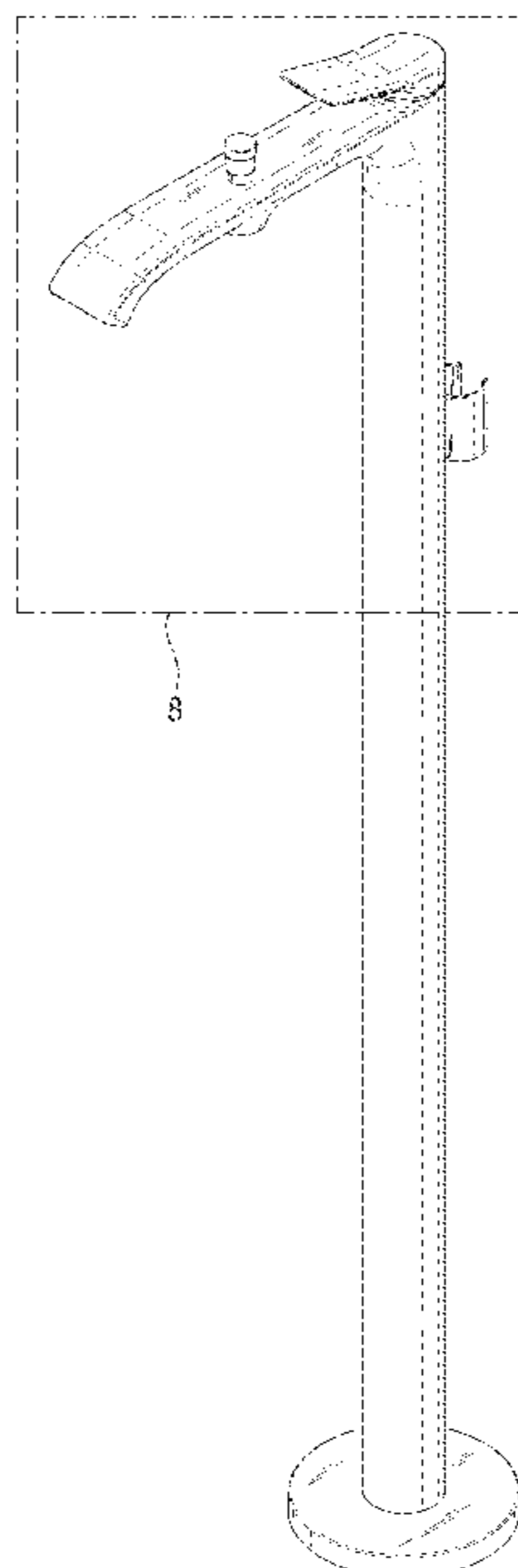
DESCRIPTION

FIG. 1 is a perspective view of a faucet showing our design; FIG. 2 is a front elevational view; FIG. 3 is a rear elevational view; FIG. 4 is a side elevational view; FIG. 5 is a side elevational view; FIG. 6 is a top plan view; FIG. 7 is a bottom plan view; and, FIG. 8 is an enlarged perspective view taken from FIG. 1. The broken-line disclosures in the drawings represent portions of a faucet that form no part of the claimed design.

1 Claim, 8 Drawing Sheets

(56) **References Cited**
U.S. PATENT DOCUMENTS

D566,237 S * 4/2008 Yang D23/238
D580,014 S * 11/2008 Citterio D23/238
D608,864 S * 1/2010 Schoenherr D23/257
D612,458 S * 3/2010 Allard D23/255
D616,069 S * 5/2010 Krause D23/239
D636,066 S * 4/2011 Schoenherr D23/255
D661,375 S * 6/2012 Citterio D23/252
D662,181 S * 6/2012 Thun D23/238
D790,664 S * 6/2017 Eads D23/238



(56)

References Cited

FOREIGN PATENT DOCUMENTS

EM	002899989-0013	12/2015	
EM	005844156-0004	12/2018	
GB	9005844156-0004	12/2018	
WO	D074181-006	8/2010	
WO	WO-2016072949 A1 *	5/2016 E03C 1/0412

* cited by examiner

FIG. 1

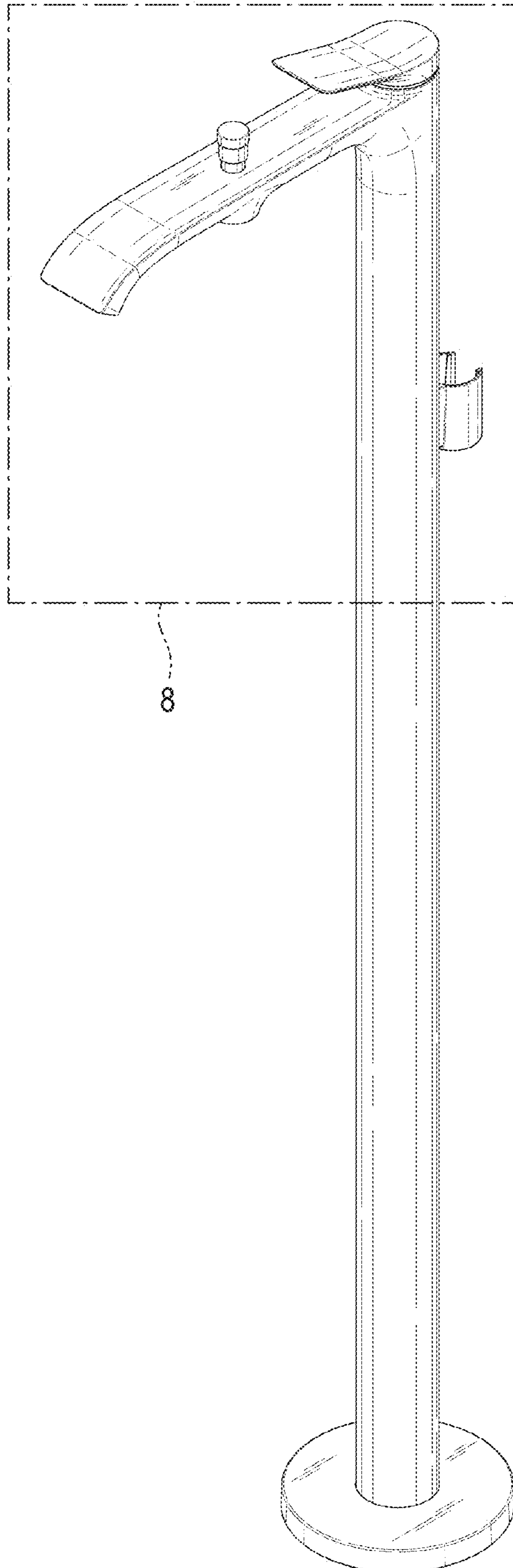


FIG. 2

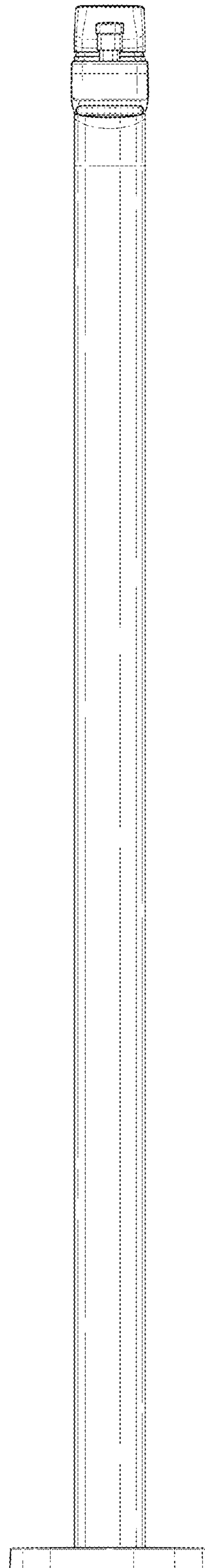


FIG. 3

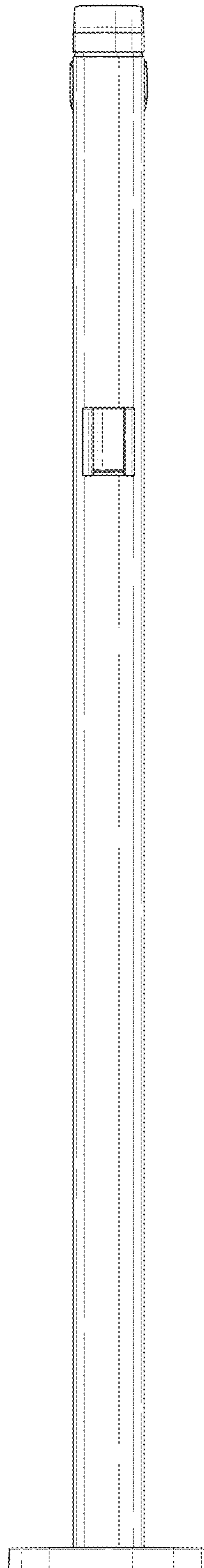


FIG. 4

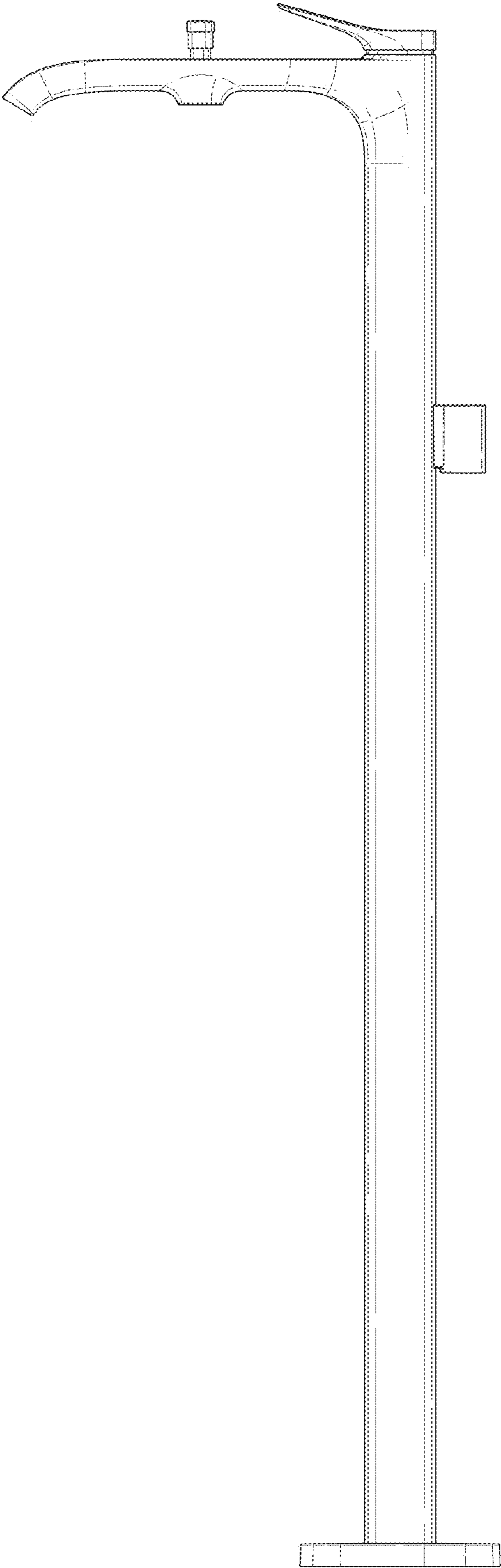


FIG. 5

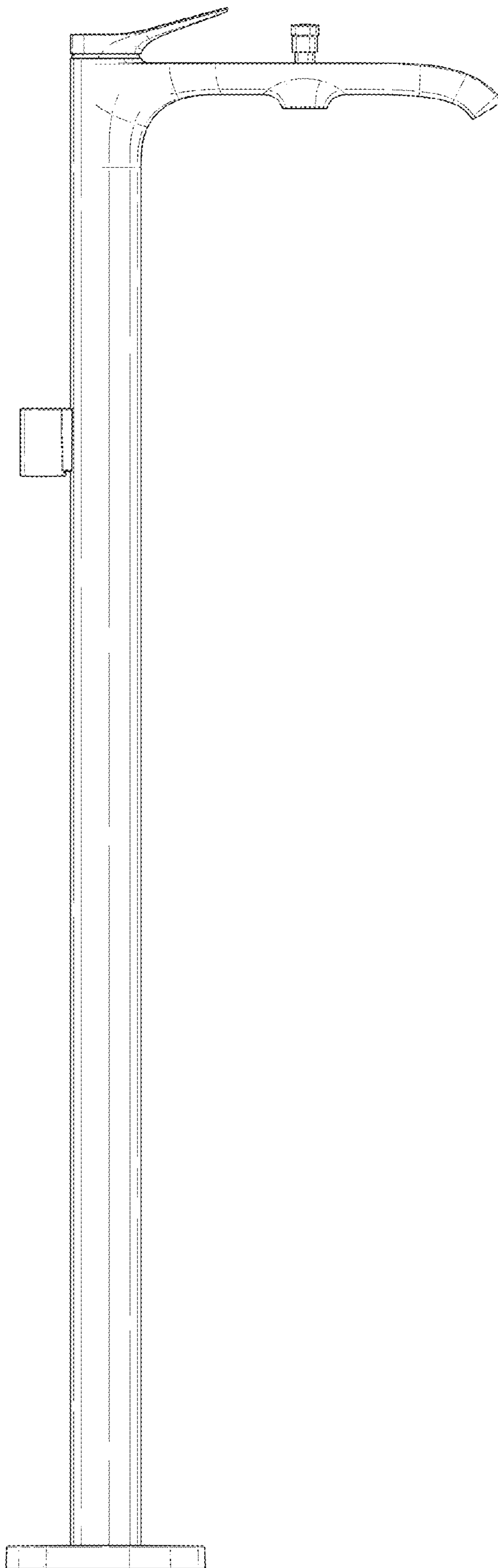


FIG. 6

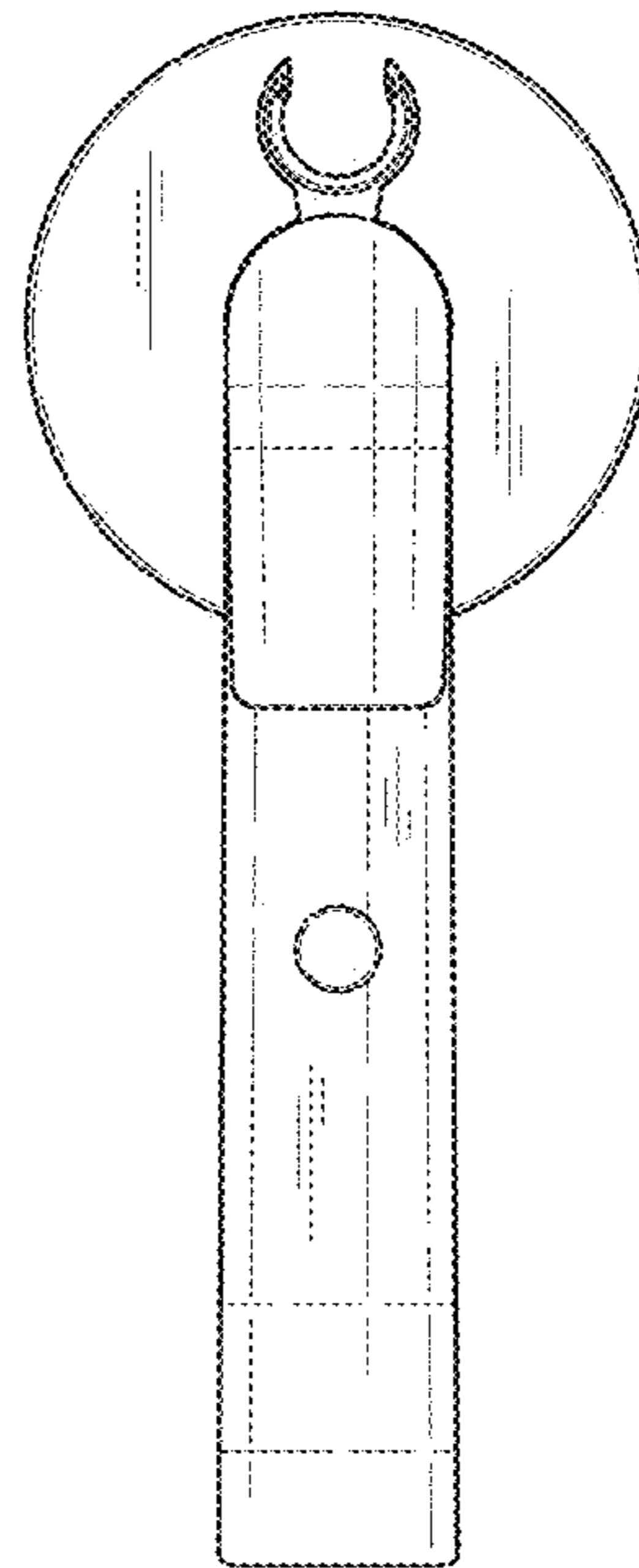


FIG. 7

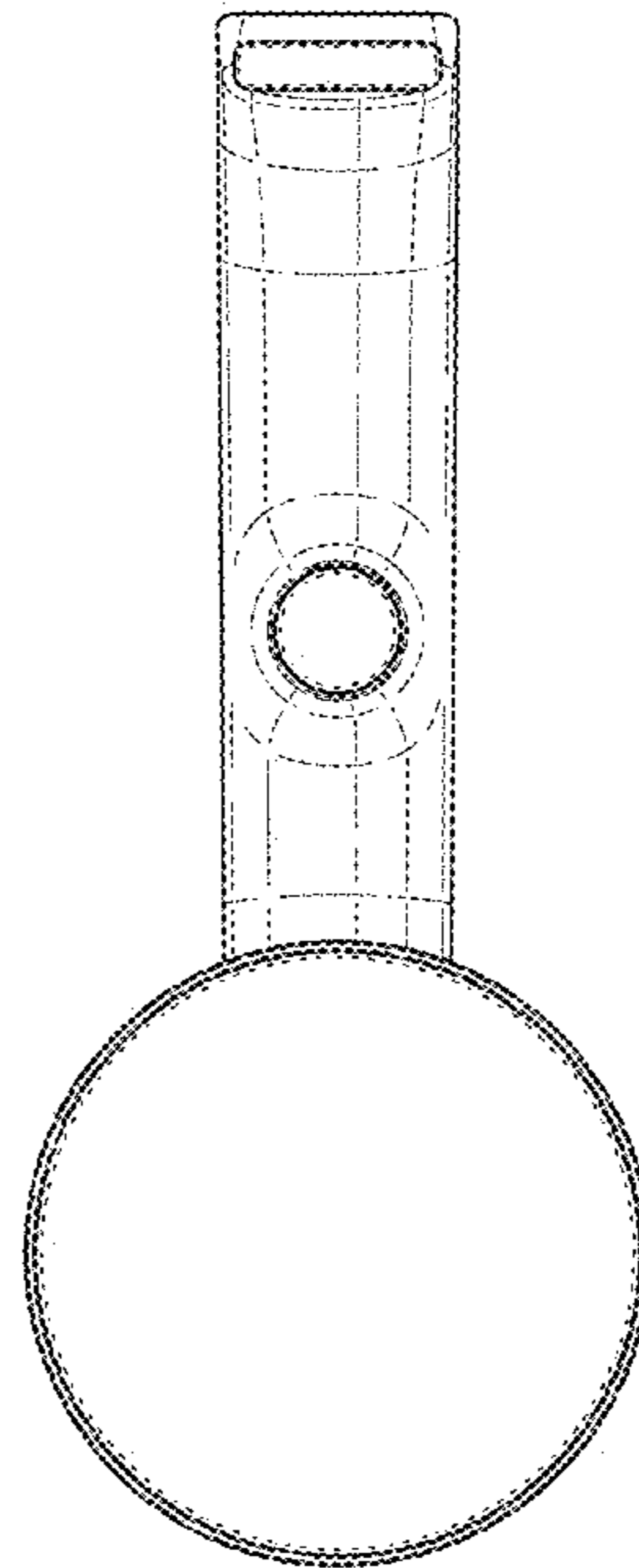


FIG. 8

