



US00D976365S

(12) **United States Design Patent** (10) **Patent No.:** **US D976,365 S**
Kulig (45) **Date of Patent:** **** Jan. 24, 2023**

(54) **FAUCET**
(71) Applicant: **Graff Faucets**, Milwaukee, WI (US)
(72) Inventor: **Zbigniew Kulig**, Wadsworth, IL (US)
(73) Assignee: **Graff Faucets**, Milwaukee, WI (US)
(**) Term: **15 Years**

D684,666 S * 6/2013 Lord D23/238
D797,895 S * 9/2017 Schaubach D23/252
D803,986 S * 11/2017 Schoenherr D23/238
D811,529 S * 2/2018 Schoenherr D23/238
D828,908 S * 9/2018 Merki D23/238
D840,506 S * 2/2019 Garland D23/238
D840,507 S * 2/2019 Garland D23/238
D840,508 S * 2/2019 Garland D23/238

(Continued)

(21) Appl. No.: **29/762,202**
(22) Filed: **Dec. 15, 2020**
(51) **LOC (14) Cl.** **23-01**
(52) **U.S. Cl.**
USPC **D23/238**
(58) **Field of Classification Search**
USPC D23/238, 239, 240, 241, 242, 243, 246,
D23/247, 249, 250, 251, 252, 253, 254,
D23/255, 256, 257
CPC E03C 1/01; E03C 1/0409; E03C 1/025;
E03C 1/0408; E03C 1/04; E03C 1/0401;
E03C 1/0402; E03C 1/0405; E03C
1/0412; Y10T 137/5339; Y10T 137/6014;
Y10T 137/6021
See application file for complete search history.

FOREIGN PATENT DOCUMENTS

CA 2966214 A1 * 5/2015 E03C 1/0412
CN 201630275260 * 6/2016
EP 3021023 B1 * 7/2017 E03C 1/0412

OTHER PUBLICATIONS

Amazon, Gappo Mono Basin Mixer Tap with Lead Free Stainless Steel Single Lever Bathroom Sink Tap, posted May 19, 2019, [online], [visited Feb. 11, 2022]. Internet, <URL: <https://www.amazon.co.uk/dp/B07S4LKDJJ/ref>> (Year: 2019).*

(Continued)

Primary Examiner — Samantha Wood
(74) *Attorney, Agent, or Firm* — Defillo & Associates, Inc.; Evelyn A. Defillo

(56) **References Cited**

U.S. PATENT DOCUMENTS

217,817 A * 7/1879 Poage B60S 5/043
137/274
D364,217 S * 11/1995 Dubin D23/252
D464,406 S * 10/2002 Gottwald D23/255
D517,648 S * 3/2006 Kulig D23/238
D583,034 S * 12/2008 Jones D23/309
7,484,524 B1 * 2/2009 Yu F16K 19/006
137/315.12
D594,936 S * 6/2009 Schoenherr D23/238
D623,275 S * 9/2010 Rubin D23/238
D625,392 S * 10/2010 Kulig D23/242
D644,301 S * 8/2011 Flowers D23/238
D654,568 S * 2/2012 Yu D23/238

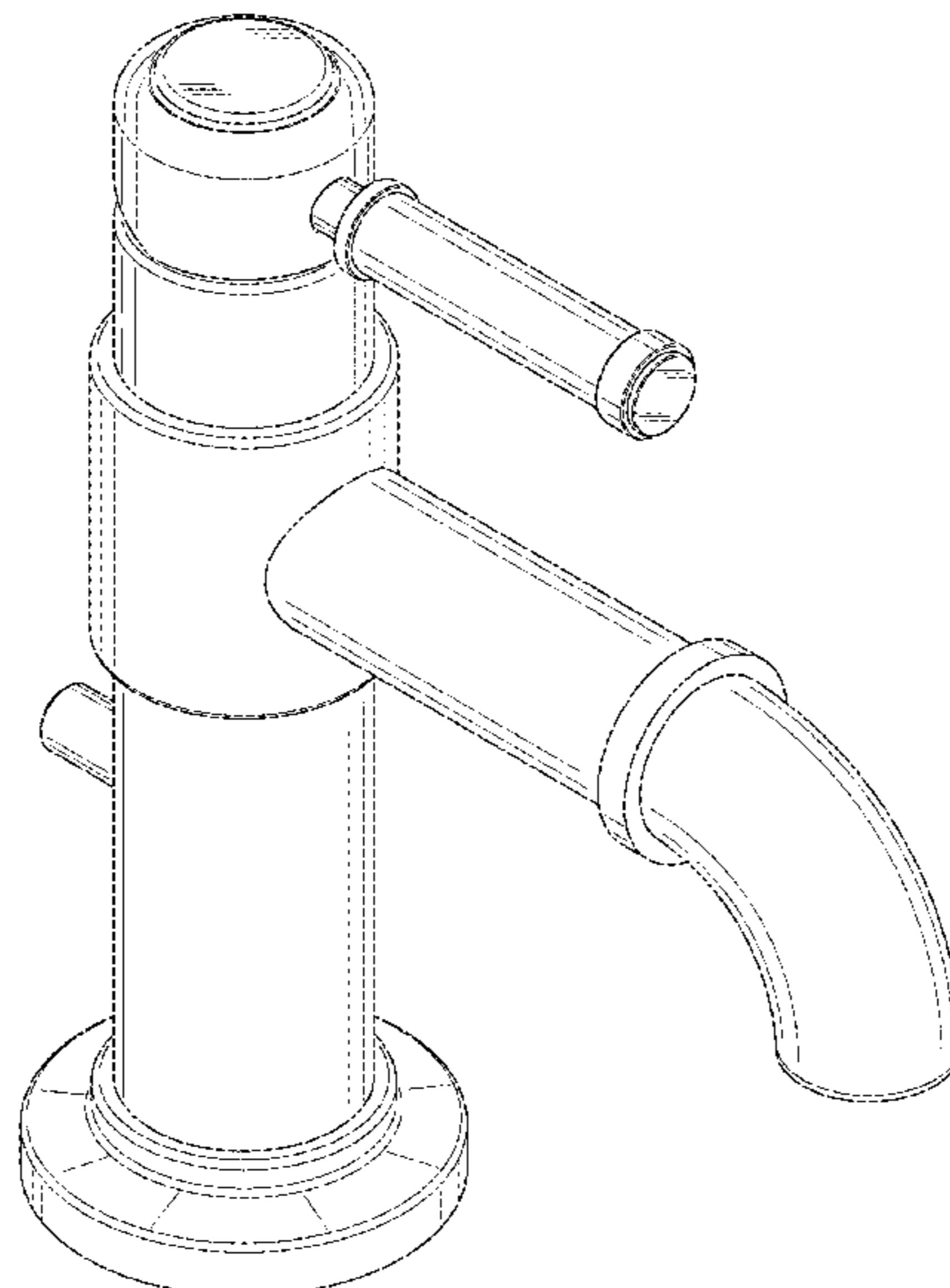
(57) **CLAIM**

The ornamental design for a faucet, as shown and described.

DESCRIPTION

FIG. 1 is a perspective front view of a faucet according to the present invention;
FIG. 2 is a front view of the faucet of FIG. 1;
FIG. 3 is a side view of the faucet of FIG. 1;
FIG. 4 is a back view of the faucet of FIG. 1; and,
FIG. 5 is a top view of the faucet of FIG. 1.
The portion of the faucet shown in broken lines form no part of the claimed design.

1 Claim, 5 Drawing Sheets



(56)

References Cited

U.S. PATENT DOCUMENTS

D840,512 S	*	2/2019	Garland	D23/252
D851,218 S	*	6/2019	Bahler	D23/252
D888,202 S	*	6/2020	Garland	D23/255
D913,437 S	*	3/2021	Zhu	D23/238
D914,163 S	*	3/2021	Zhu	D23/257
D925,703 S	*	7/2021	Soulier	D23/238
D935,568 S	*	11/2021	Soulier	D23/255
D939,053 S	*	12/2021	Soulier	D23/238

OTHER PUBLICATIONS

Amazon, Gappo Mono Basin Mixer Tap Tall, posted Aug. 20, 2020, [online], [visited Feb. 11, 2022]. Internet, <URL: <https://www.amazon.co.uk/dp/B08GBRVMGZ/ref?th=1>> (Year: 2020).*

Rustic Sinks, Short Lavatory Faucet with Elbow Spout, [online], [visited Feb. 12, 2022]. Internet, <URL: <https://rusticsinks.com/collections/bathroom-faucets-for-the-lavatory/products/short-lavatory-faucet-with-elbow-spout>> (Year: 2022).*

Rustic Sinks, Paris Single Handle Vessel Sink Faucet, [online], [visited Feb. 12, 2022]. Internet, <URL: <https://rusticsinks.com/collections/bathroom-faucets-for-the-lavatory/products/paris-single-handle-vessel-sink-faucet>> (Year: 2022).*

* cited by examiner

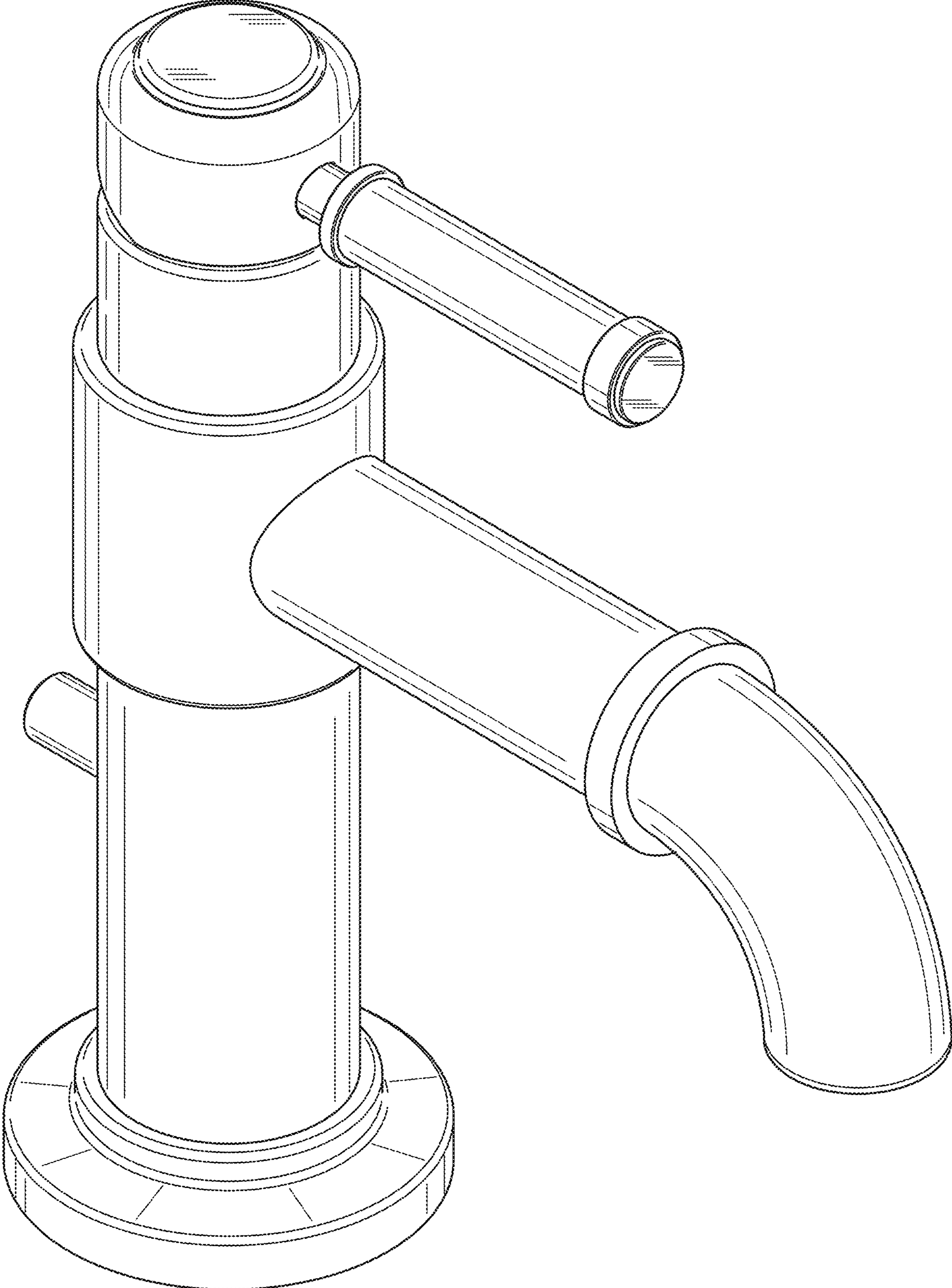


FIG. 1

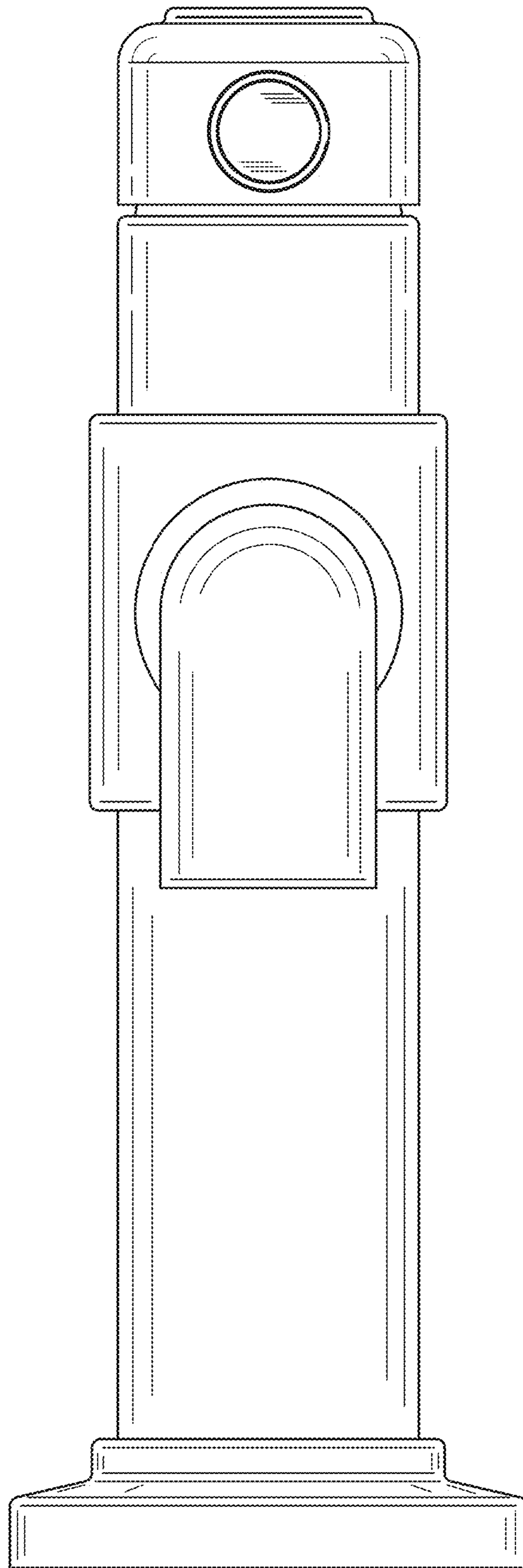


FIG. 2

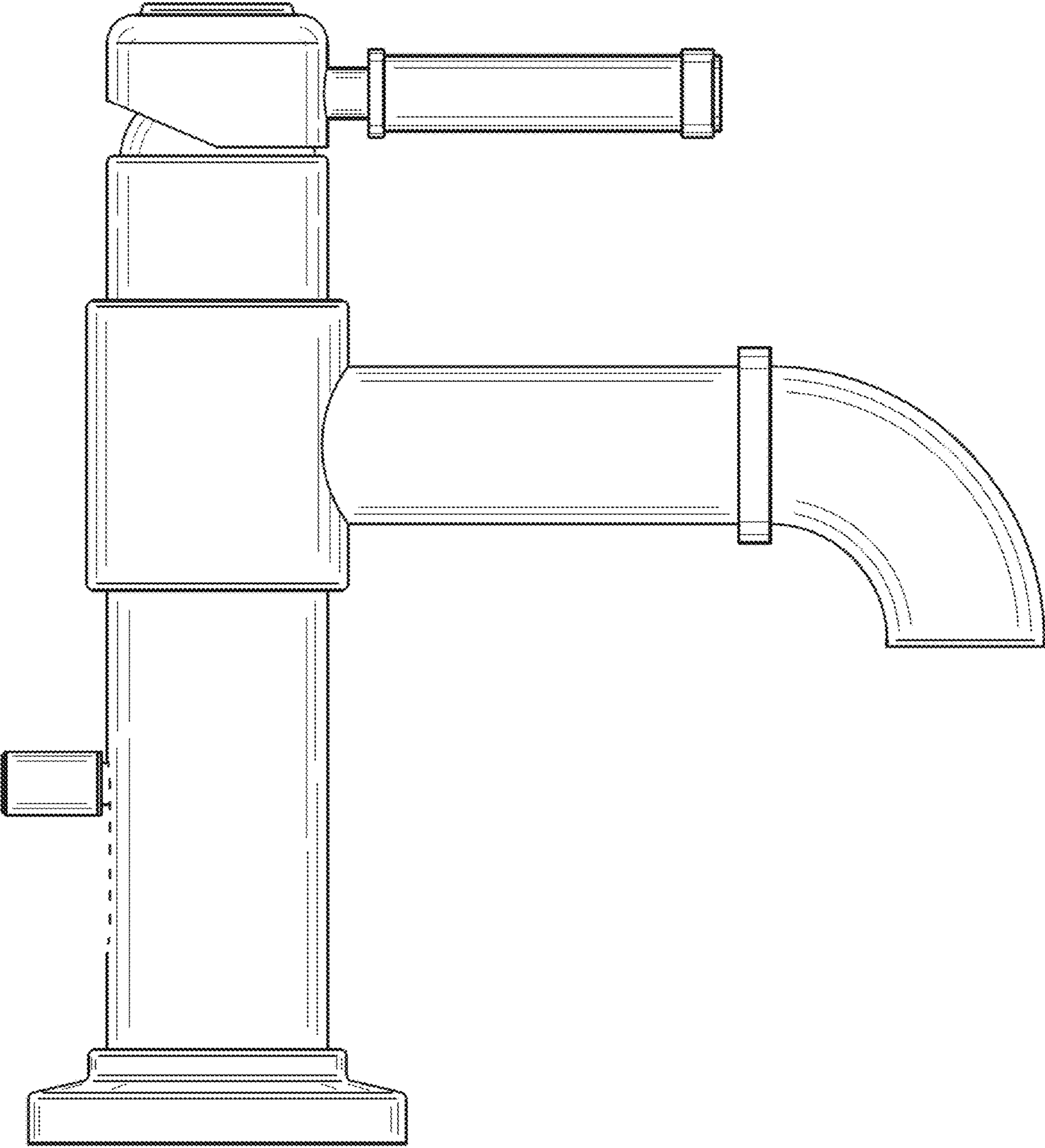


FIG. 3

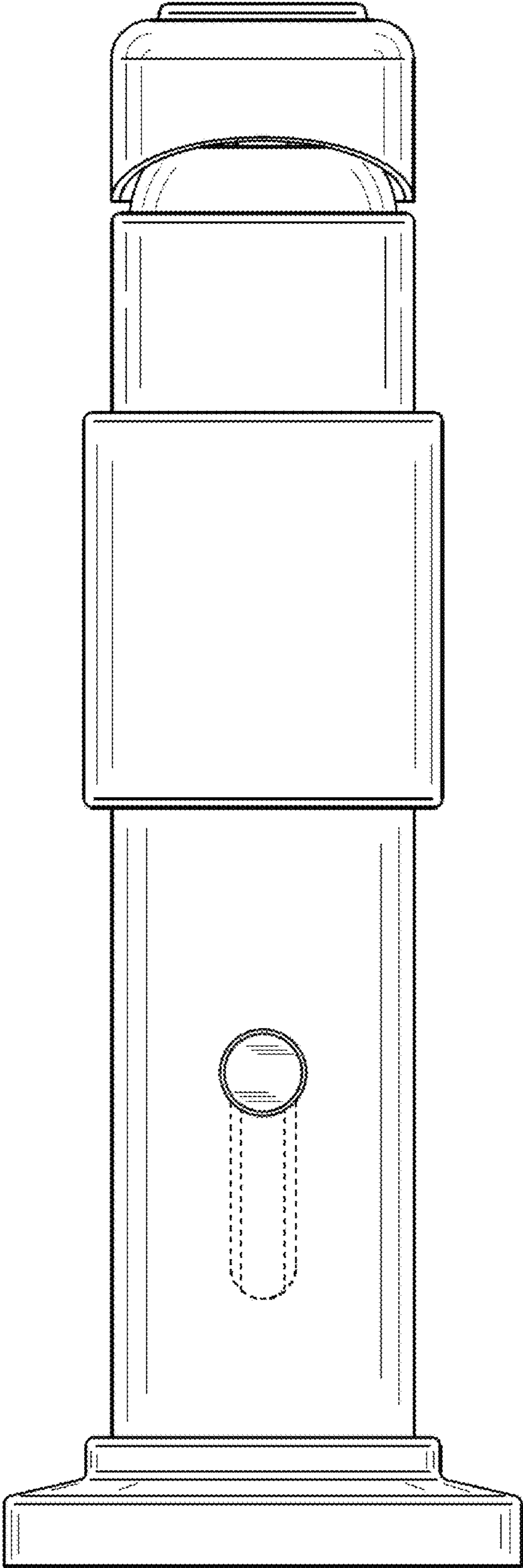


FIG. 4

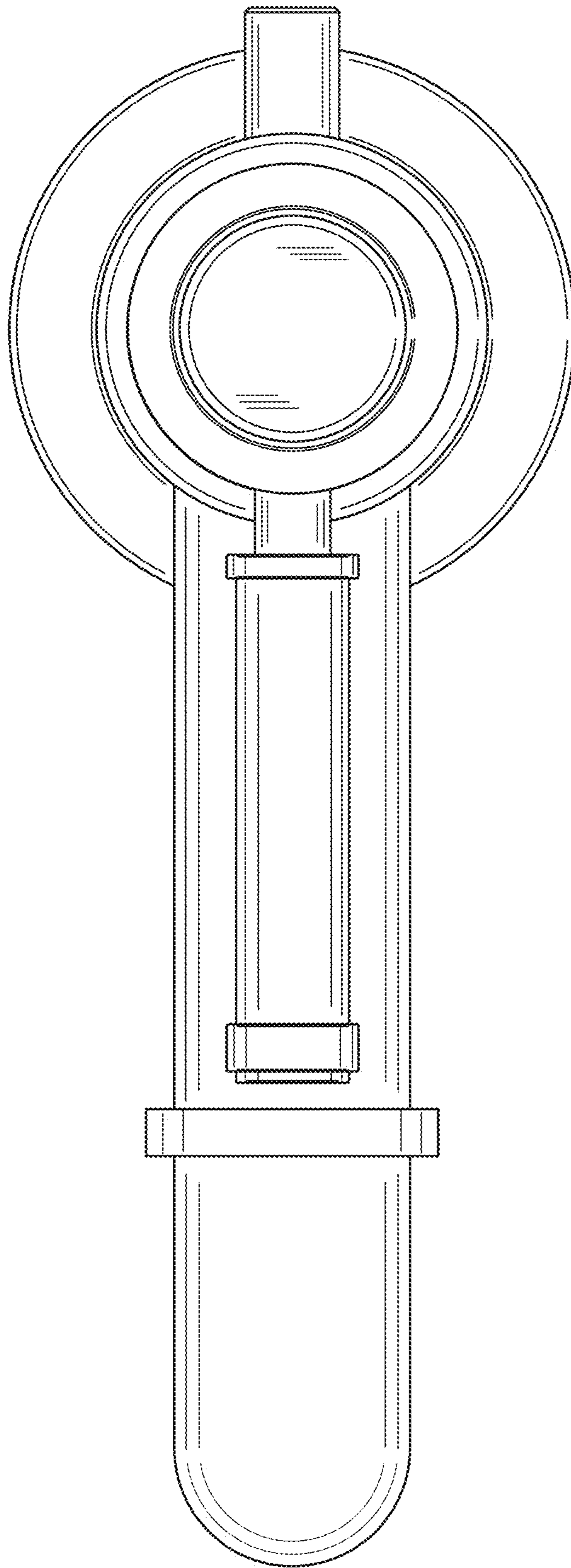


FIG. 5