



US00D976364S

(12) **United States Design Patent** (10) **Patent No.:** **US D976,364 S**
Sanwald et al. (45) **Date of Patent:** **** Jan. 24, 2023**

(54) **COATING MACHINES**
(71) Applicant: **GEMA SWITZERLAND GMBH**, St. Gallen (CH)
(72) Inventors: **Marco Sanwald**, Abtwil (CH); **Thomas Staub**, Gossau (CH); **Roger Tobler**, Herisau (CH)
(73) Assignee: **GEMA SWITZERLAND GMBH**, St. Gallen (CH)
(**) Term: **15 Years**
(21) Appl. No.: **29/704,804**

D580,517 S * 11/2008 Mattson D23/225
D580,518 S * 11/2008 Johnson D23/225
D597,173 S * 7/2009 Mulgrew D23/225
D608,414 S * 1/2010 Legatt D23/225
D616,064 S * 5/2010 Mattson D23/225
D616,065 S * 5/2010 Gundersen D23/225
7,963,532 B2 * 6/2011 Feitel B05B 9/043
280/47.24
8,979,001 B2 * 3/2015 Peterson B05B 9/01
248/176.1
D733,840 S * 7/2015 Butler D23/225
D746,408 S * 12/2015 Benson D34/18
D769,414 S * 10/2016 Roden D23/225
D771,222 S * 11/2016 Pellin D23/225
D806,212 S * 12/2017 Legatt D23/225
D822,794 S * 7/2018 Blenkush D23/225

(Continued)

(22) Filed: **Sep. 6, 2019**
(51) **LOC (14) Cl.** **23-01**
(52) **U.S. Cl.**
USPC **D23/225**
(58) **Field of Classification Search**
USPC D23/213, 214, 215, 222, 223, 224, 225,
D23/226, 229, 230
CPC A61H 9/0021; A61H 33/00; B05B 1/00;
B05B 1/14; B05B 1/185; B05B 1/08;
B05B 1/02; B05B 1/26; B05B 12/002;
B05B 1/18; B05B 9/01
See application file for complete search history.

(56) **References Cited**

U.S. PATENT DOCUMENTS

5,064,123 A * 11/1991 Aiello B05B 1/3053
239/128
6,488,846 B1 * 12/2002 Marangi B01D 35/0276
239/149
7,240,909 B2 * 7/2007 Robens B05B 9/007
280/655
D560,271 S * 1/2008 Kesti D23/225
D572,795 S * 7/2008 Kieffer D23/225
D576,703 S * 9/2008 Nathan D32/15
D580,516 S * 11/2008 Mattson D23/225

OTHER PUBLICATIONS

Titan ControlMax 1700 Pro 580006 w/Cart High Efficiency Airless Paint Sprayer, Apr. 3, 2017, amazon.ca, Jun. 14, 2022, URL: https://www.amazon.ca/dp/B06X3YNP1N/ref=twister_B0B31ZXSPH?_encoding=UTF8&psc=1 (Year: 2017).*

(Continued)

Primary Examiner — Keith J Wilson
(74) *Attorney, Agent, or Firm* — Kinney & Lange, P.A.

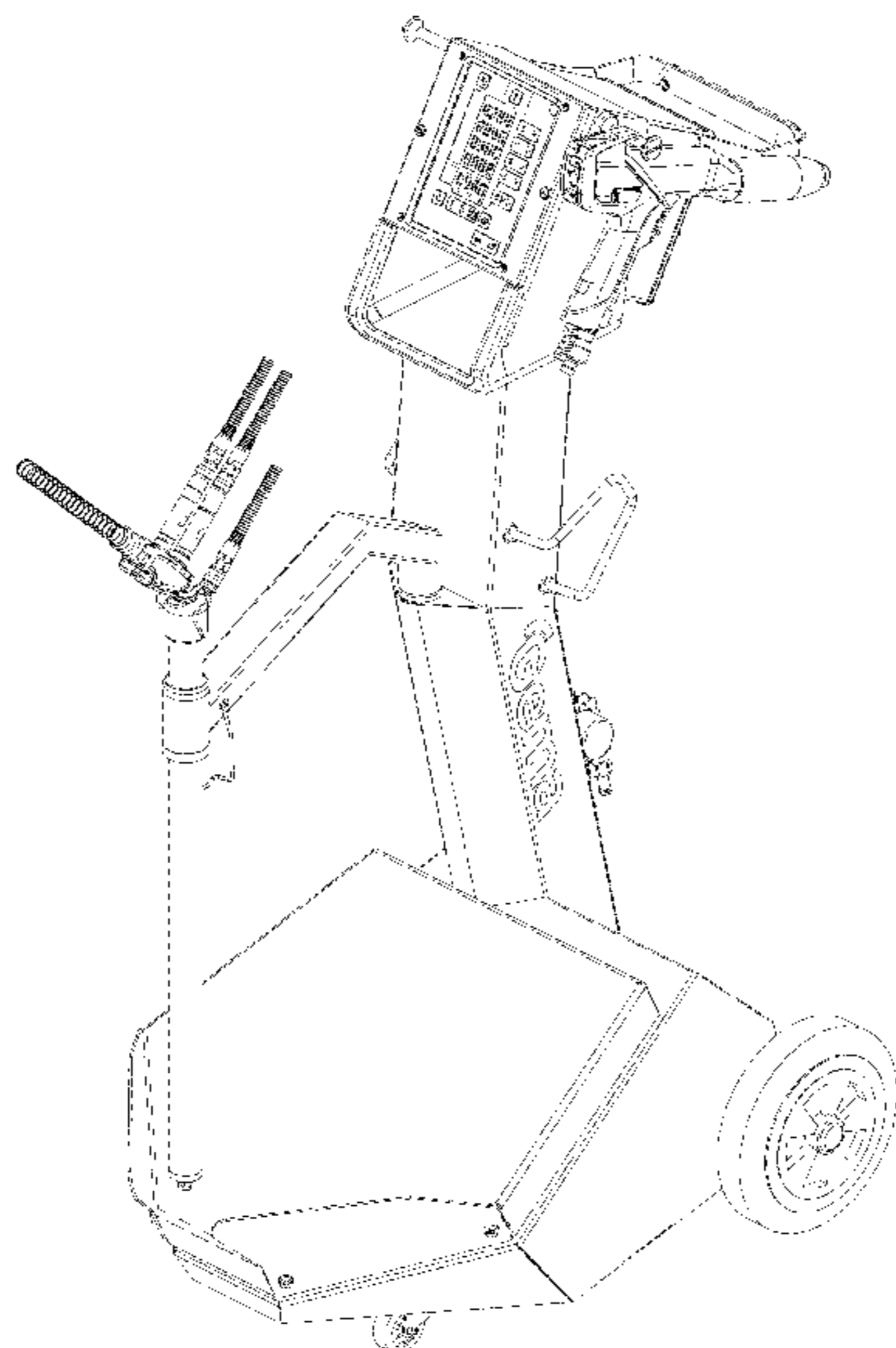
(57) **CLAIM**

The ornamental design for coating machines, as shown and described.

DESCRIPTION

FIG. 1 is a perspective view line in a line drawing;
FIG. 2 is a right side view in a line drawing;
FIG. 3 is a left side view in a line drawing;
FIG. 4 is a front elevational view in a line drawing;
FIG. 5 is a rear elevational view in a line drawing;
FIG. 6 is a top plan view in a line drawing; and,
FIG. 7 is a bottom plan view in a line drawing.

1 Claim, 7 Drawing Sheets



(56)

References Cited

U.S. PATENT DOCUMENTS

D851,211 S * 6/2019 Pellin D23/225
 10,634,132 B2 * 4/2020 Carideo F04B 53/16
 D904,566 S * 12/2020 Larsen D23/225
 D934,301 S * 10/2021 Larsen D15/7
 D934,918 S * 11/2021 Larsen D15/7
 D945,562 S * 3/2022 Yang D23/225
 D952,098 S * 5/2022 Tong D32/25
 D953,487 S * 5/2022 Halfmaerten D23/226
 D954,177 S * 6/2022 Liu D23/225
 2010/0224699 A1 * 9/2010 Gaddis B05B 7/0093
 239/311
 2011/0253229 A1 * 10/2011 Mattson B05B 7/0093
 137/355.16
 2017/0211568 A1 * 7/2017 Blenkush B05B 7/144
 2017/0304873 A1 * 10/2017 Luby B08B 3/026
 2018/0339074 A1 * 11/2018 Ekerdt B05B 9/042
 2019/0232308 A1 * 8/2019 Becker B05B 7/0093
 2021/0046492 A1 * 2/2021 Becker B05B 12/002

OTHER PUBLICATIONS

Titan Impact 1140 High Rider Airless Paint Sprayer 805-011, Jan. 22, 2014, amazon.ca, Jun. 14, 2022, URL: <https://www.amazon.ca/dp/B00HZOS1JG/> (Year: 2014).*

Graco Ultra Max II 490 PC Pro Electric Airless Paint Sprayer, Jun. 11, 2019, amazon.ca, Jun. 14, 2022, URL: <https://www.amazon.ca/Graco-II-490-PC-Electric/dp/B07P3JHXRS/> (Year: 2019).*

GOWE Mini Remote Controller Cement Mortar Sprayer, Oct. 23, 2016, amazon.ca, Aug. 29, 2022, URL: <https://www.amazon.ca/GOWE-Controller-Concrete-Waterproof-Compressor/dp/B01M8LURYX/> (Year: 2016).*

Karcher S 4 Twin Walk-Behind Outdoor Hand Push Sweeper, Oct. 30, 2020, amazon.ca, Aug. 29, 2022:URL: <https://www.amazon.ca/Karcher-17663610-Twin-Sweeper-Yellow/dp/B08M4D1K8F/> (Year: 2020).*

* cited by examiner

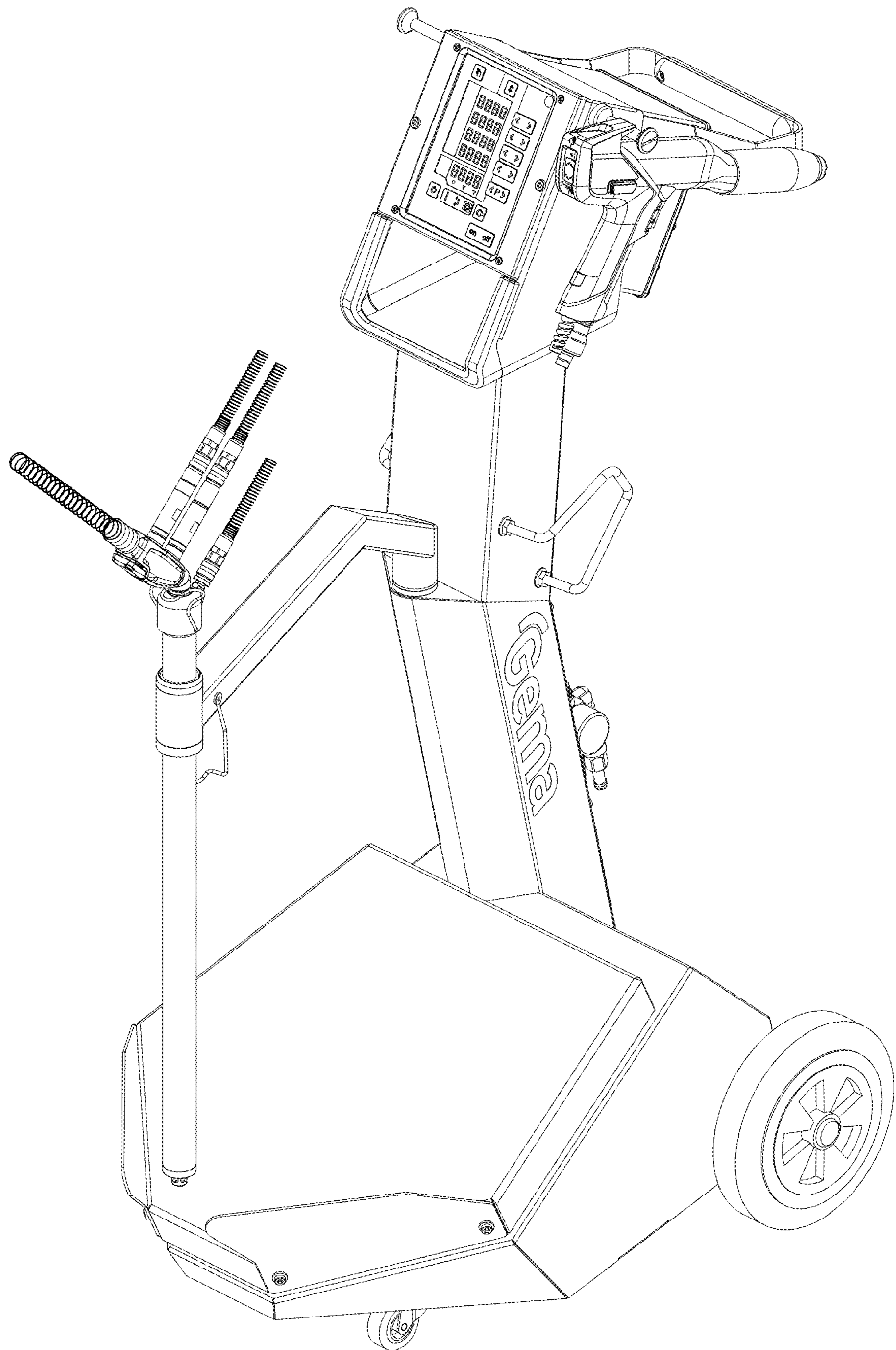


FIG. 1

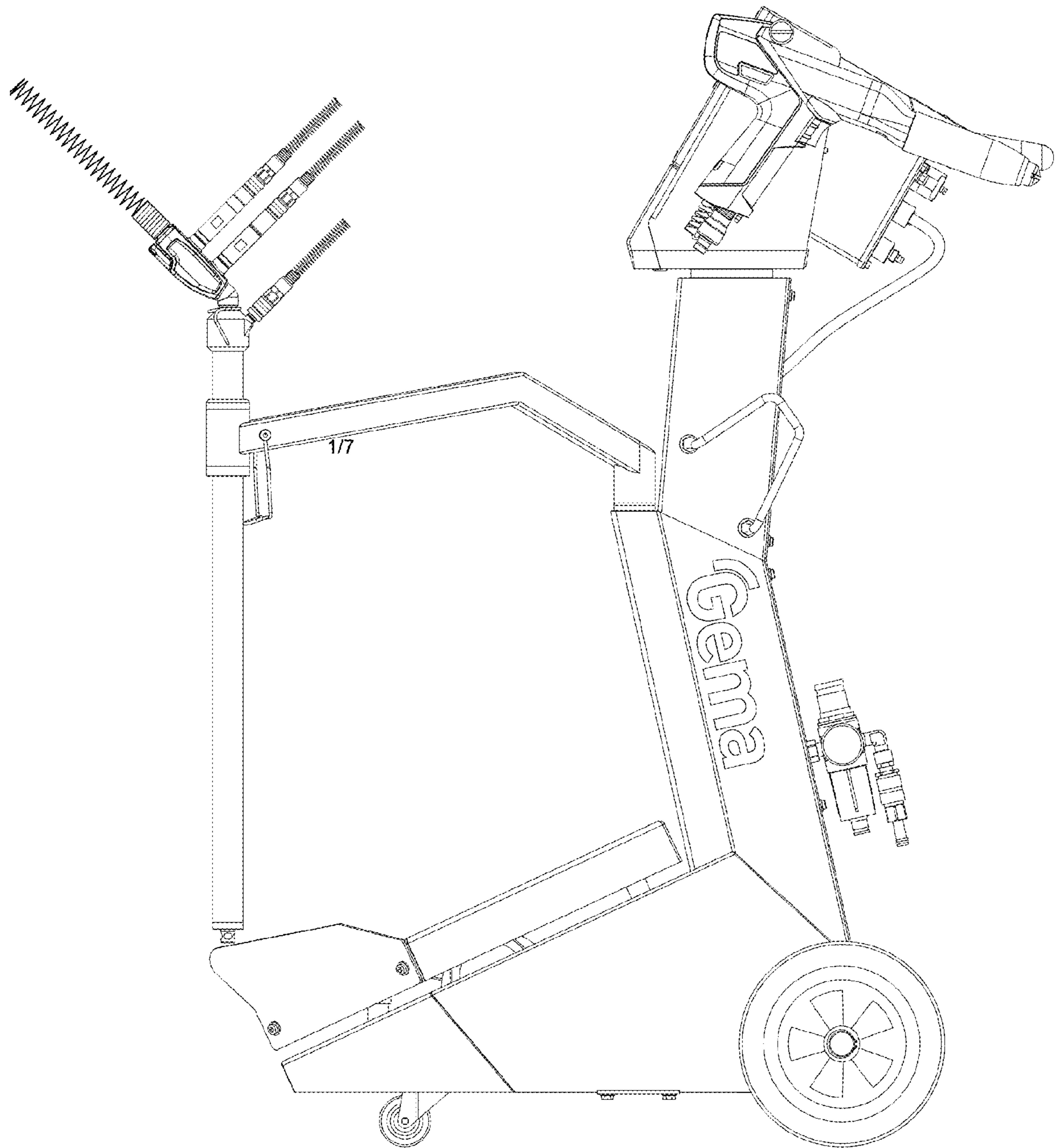


FIG. 2

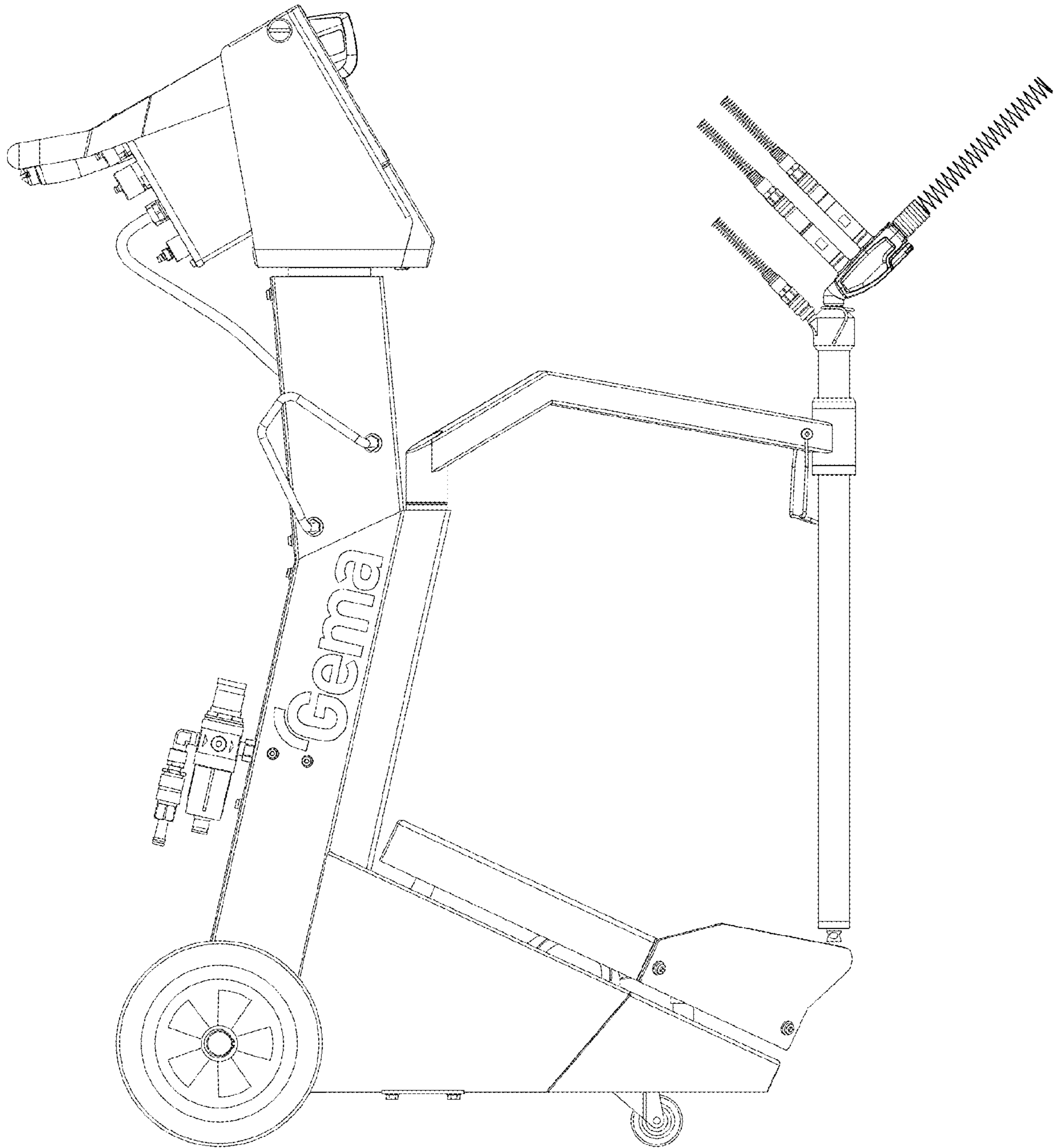


FIG. 3

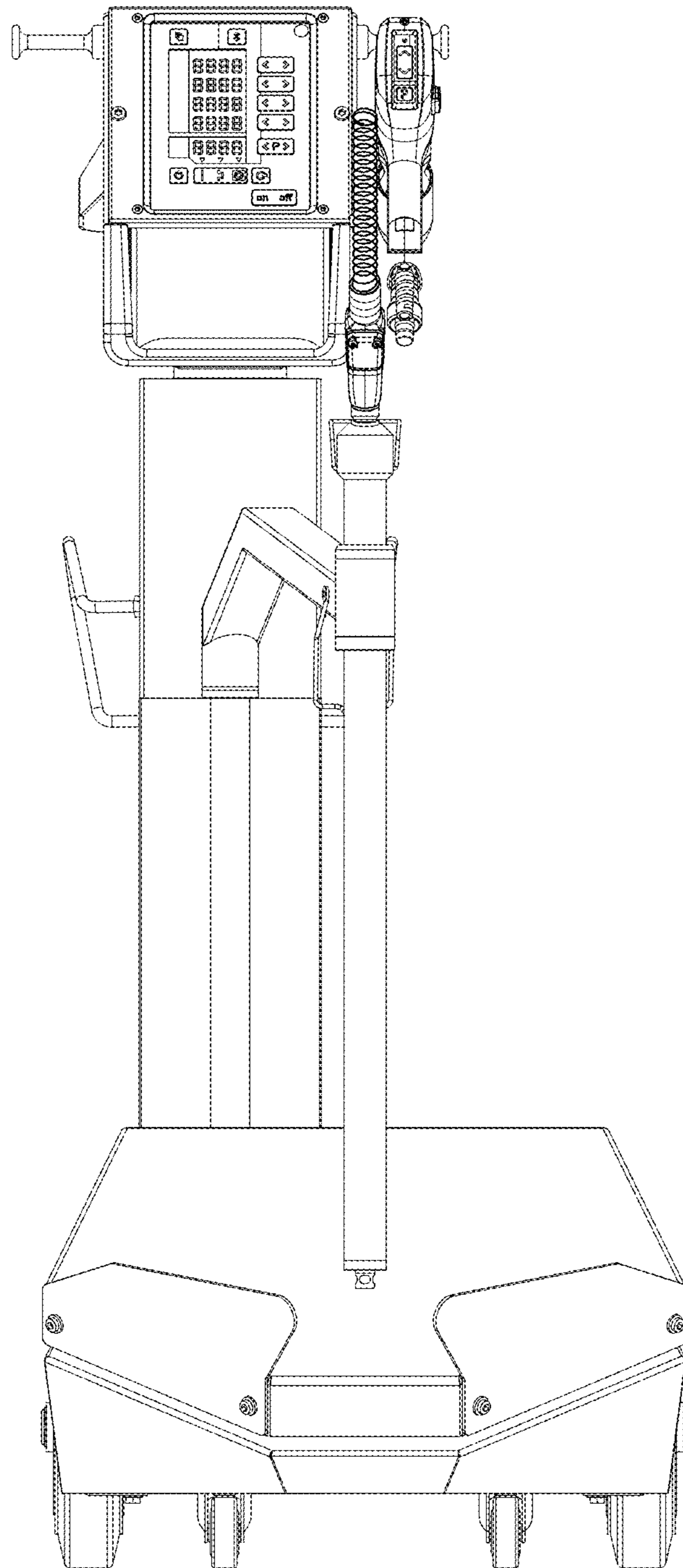


FIG.4

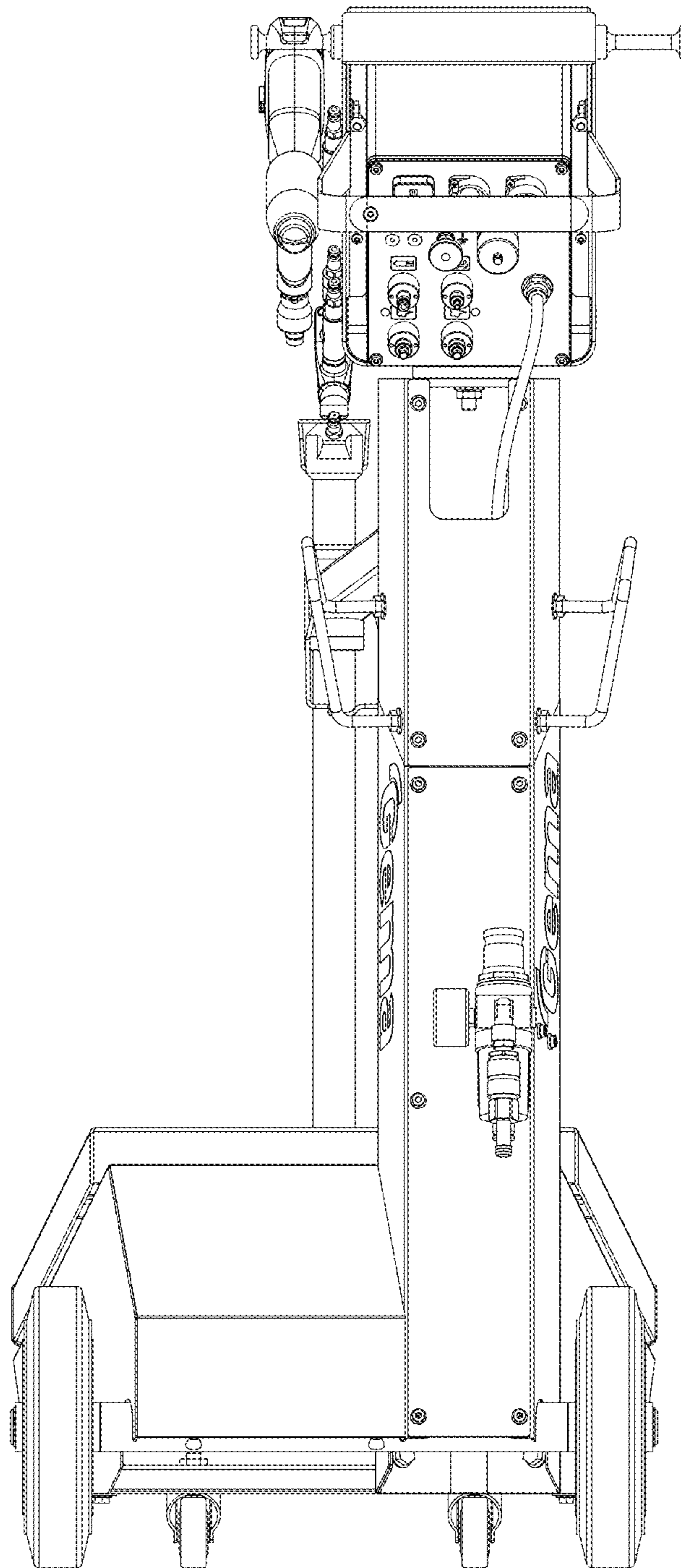


FIG. 5

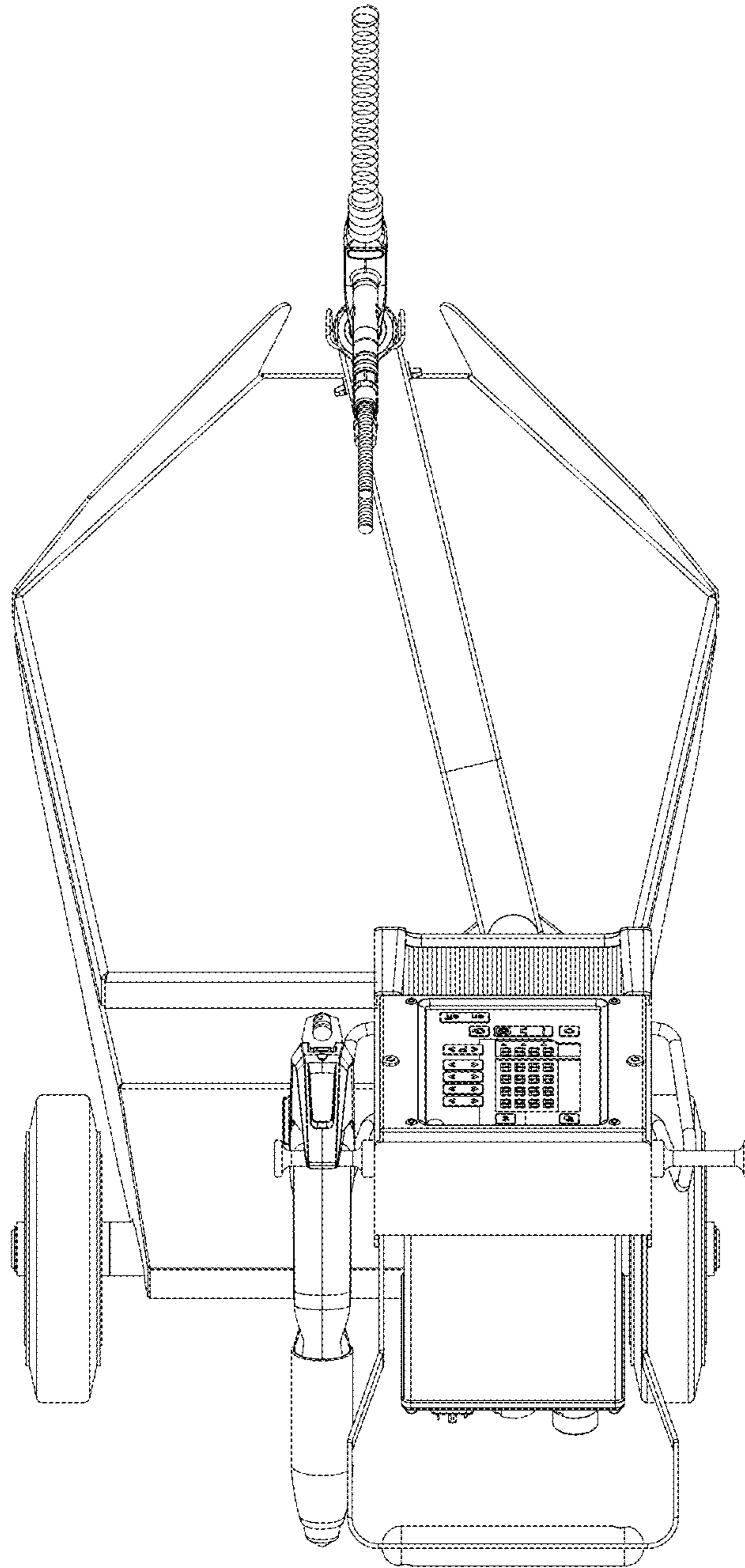


FIG. 6

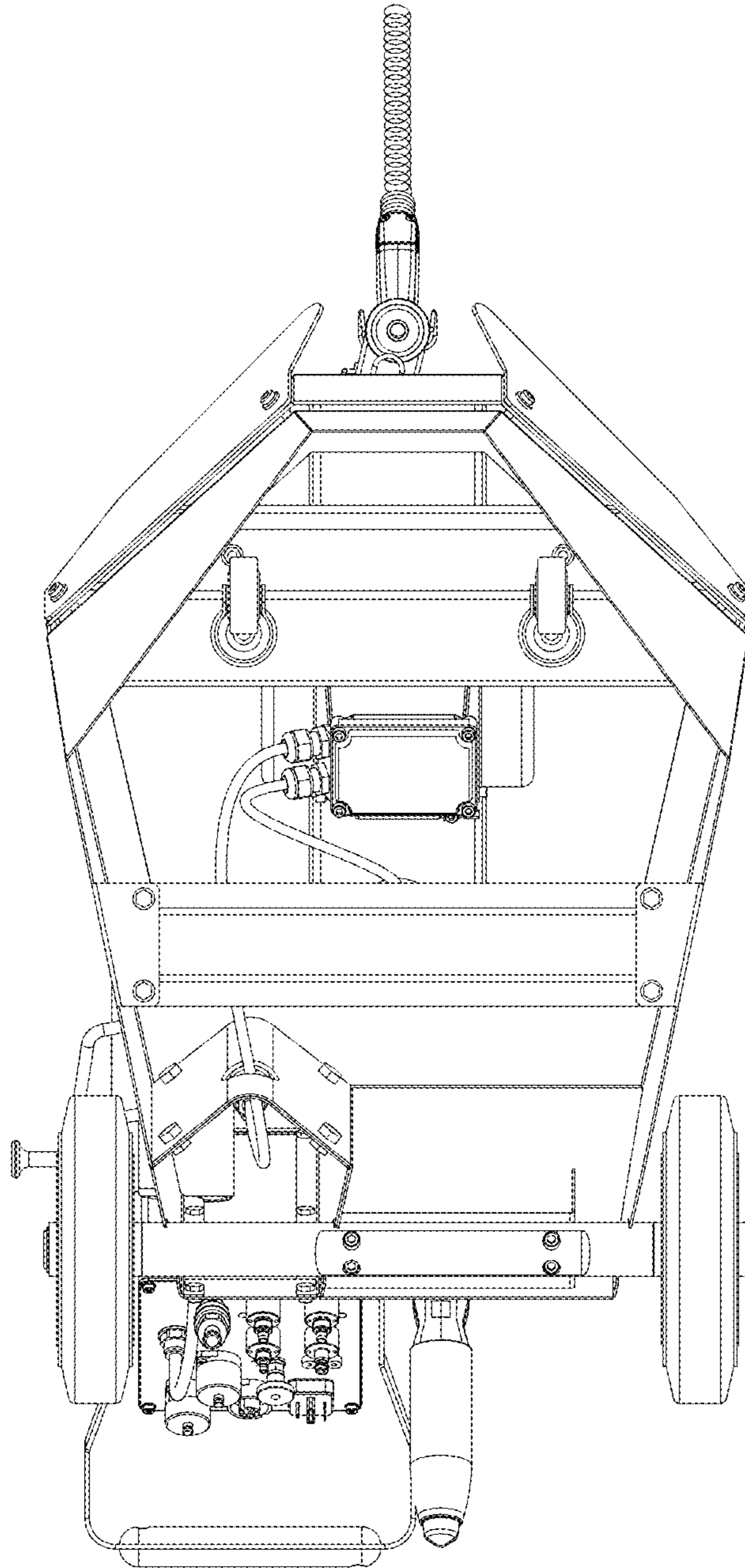


FIG. 7