



US00D976363S

(12) **United States Design Patent** (10) **Patent No.:** **US D976,363 S**
Villeneuve et al. (45) **Date of Patent:** **** Jan. 24, 2023**

(54) **FOAM NOZZLE** 6,202,342 B1 * 3/2001 Edwards A01M 1/2011
43/132.1
(71) Applicant: **ENTREPRISE DRAGO-I.S.I. INC.,** D535,721 S * 1/2007 Ford D23/213
Repentigny (CA) D817,446 S * 5/2018 Kinzel D23/231
D856,480 S * 8/2019 Andrews D23/233
(72) Inventors: **Simon Villeneuve, Blainville (CA);** D867,529 S * 11/2019 Yang D23/213
Eric Bedard, Sainte-Thérèse (CA) D887,269 S * 6/2020 Marik D9/453
D888,197 S * 6/2020 McDonnell D9/442
D904,564 S * 12/2020 Villeneuve D23/213
(73) Assignee: **ENTREPRISE DRAGO-I.S.I. INC.,** D929,535 S * 8/2021 Healy D23/214
Repentigny (CA) D936,785 S * 11/2021 Vaughan D23/213
D937,383 S * 11/2021 Thibodeau B29C 49/60
D23/213
(**) Term: **15 Years** 2014/0239095 A1 * 8/2014 Short B05B 1/14
239/404

(21) Appl. No.: **29/836,706**

(22) Filed: **Apr. 28, 2022**

Related U.S. Application Data

(62) Division of application No. 29/701,460, filed on Aug. 12, 2019, now Pat. No. Des. 964,515.

(51) **LOC (14) Cl.** **23-01**

(52) **U.S. Cl.**
USPC **D23/213**

(58) **Field of Classification Search**

USPC D23/213, 214, 215, 221–222, 223, 224,
D23/226, 229, 230

CPC A61H 9/0021; A61H 33/00; B05B 1/00;
B05B 1/14; B05B 1/185; B05B 1/08;
B05B 1/02; B05B 1/26; B05B 12/002;
B05B 1/18; B05B 9/01

See application file for complete search history.

(56) **References Cited**

U.S. PATENT DOCUMENTS

D256,052 S * 7/1980 De Vaughn D24/112
4,326,516 A * 4/1982 Schultz A61M 39/1011
604/533
D393,048 S * 3/1998 Hearvey D23/213

* cited by examiner

Primary Examiner — Keith J Wilson

(74) *Attorney, Agent, or Firm* — Jacob M. Ward; Ward Law Office LLC

(57) **CLAIM**

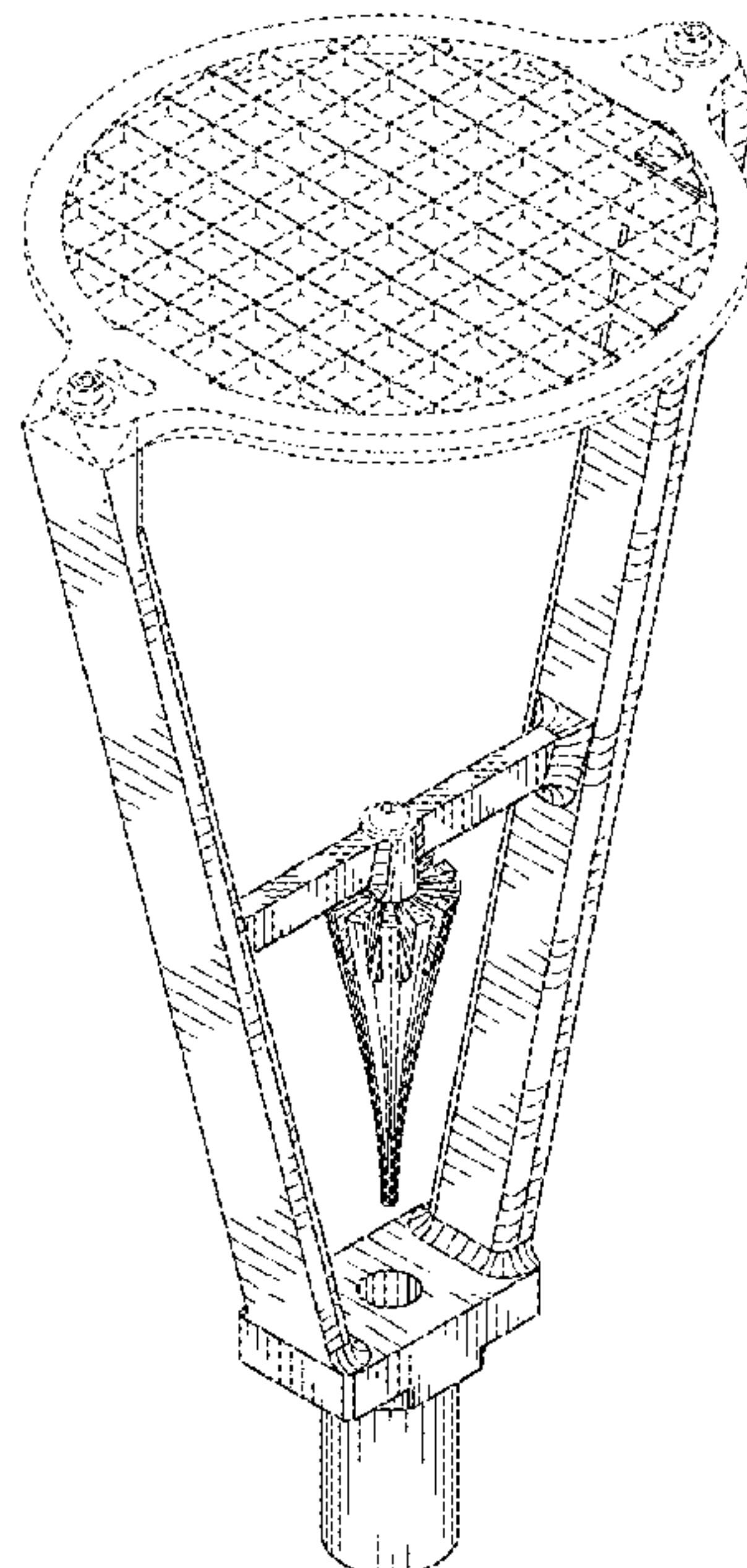
We claim the ornamental design for a foam nozzle, as shown and described.

DESCRIPTION

FIG. 1 is a perspective view from the top of an embodiment of a foam nozzle, showing our new design; FIG. 2 is a perspective view from the bottom thereof; FIG. 3 is a front elevation view thereof; FIG. 4 is a left-side elevation view thereof; FIG. 5 is a rear elevation view thereof; FIG. 6 is a right-side elevation view thereof; FIG. 7 is a top plan view thereof; and, FIG. 8 is a bottom plan view thereof.

The broken lines shown in the figures are included for the purpose of illustrating environment and form no part of the claimed design.

1 Claim, 8 Drawing Sheets



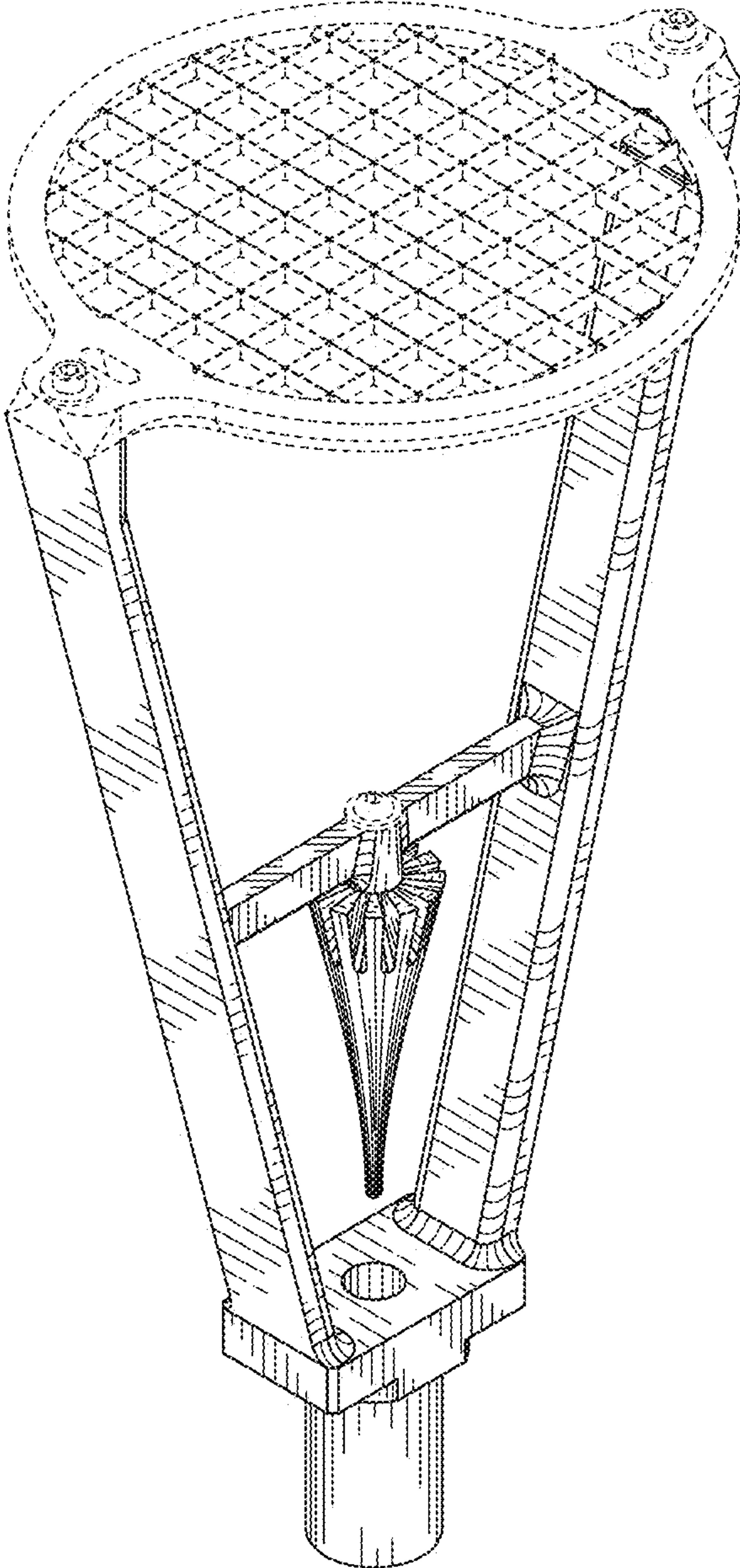


FIG. 1

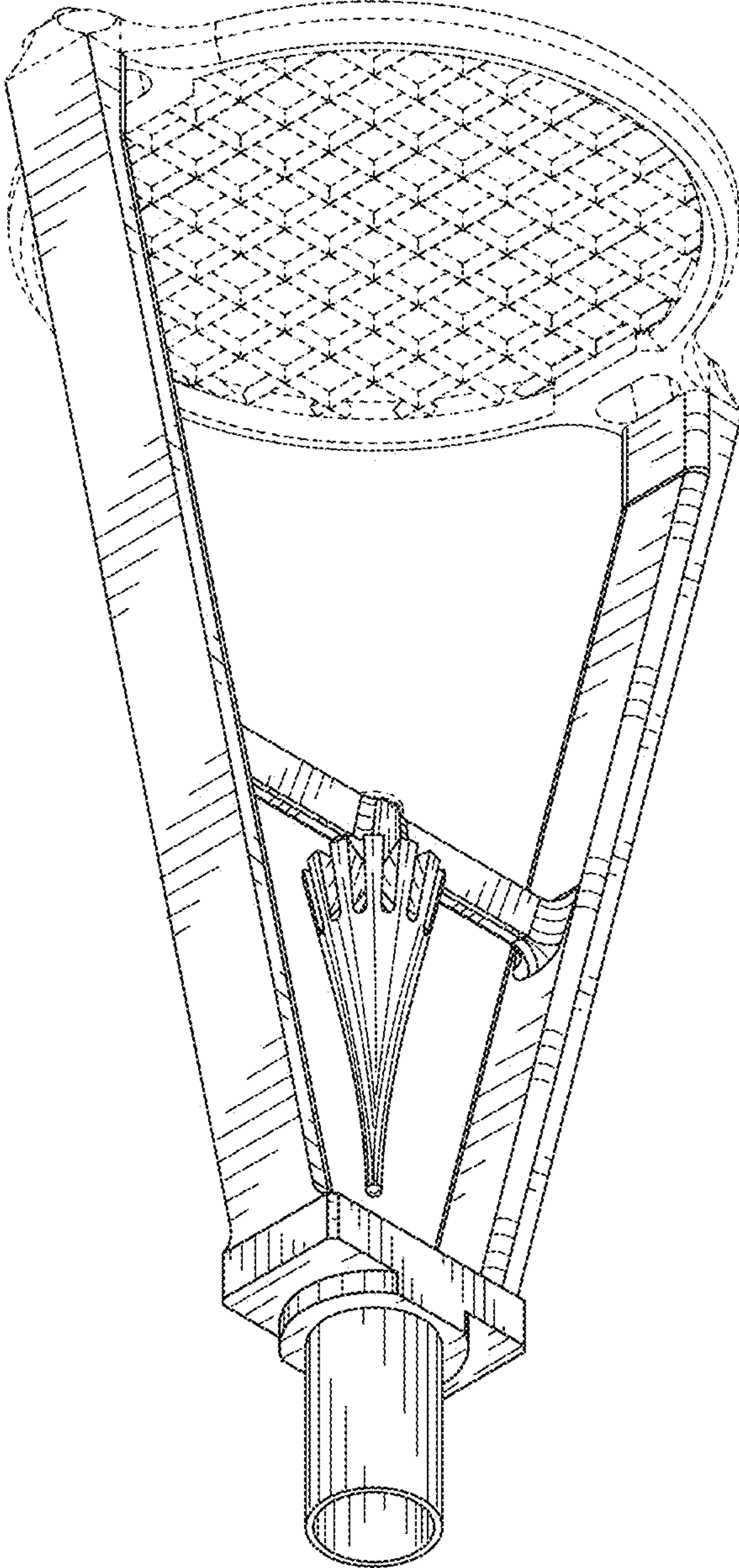


FIG. 2

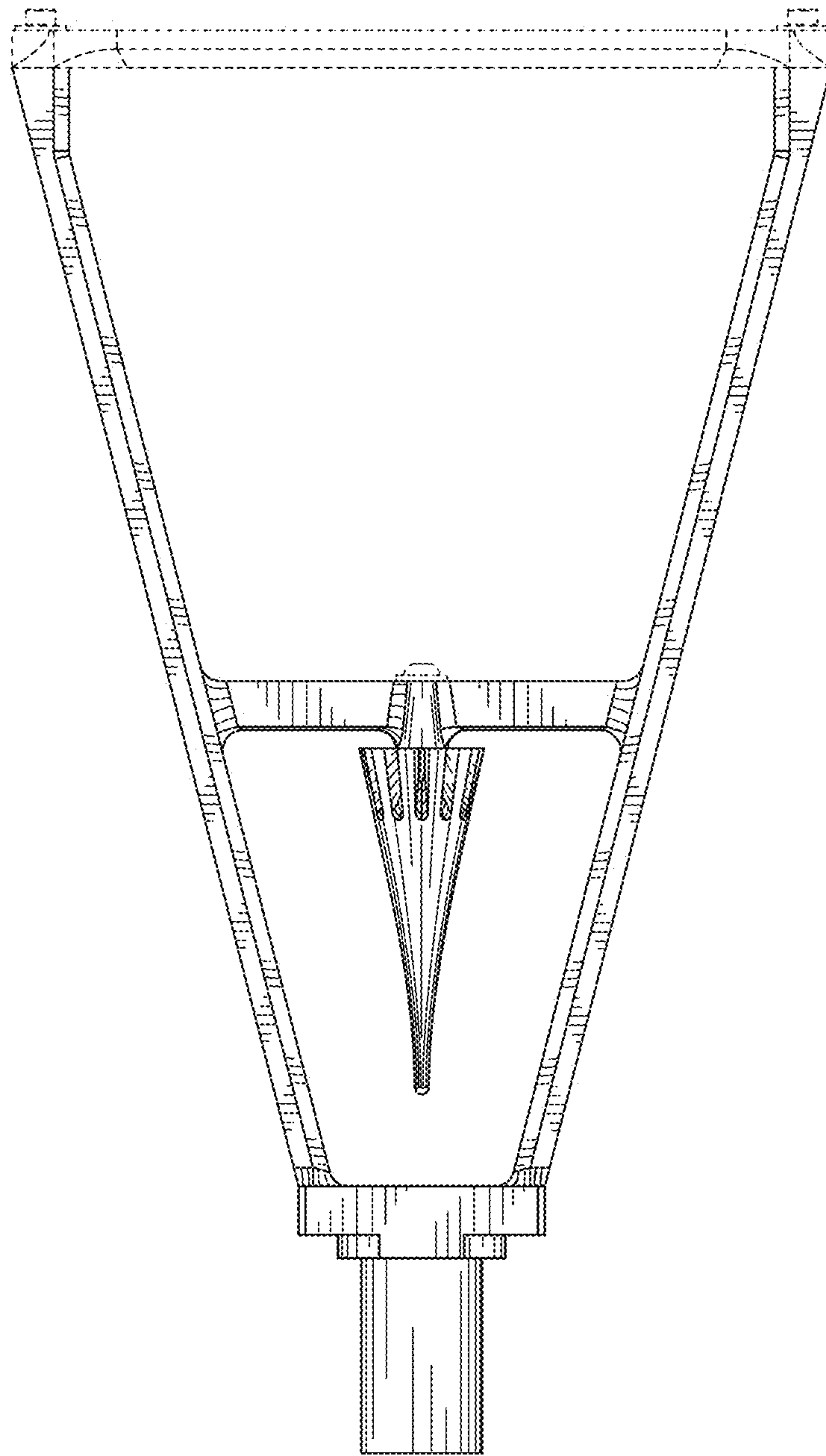


FIG. 3

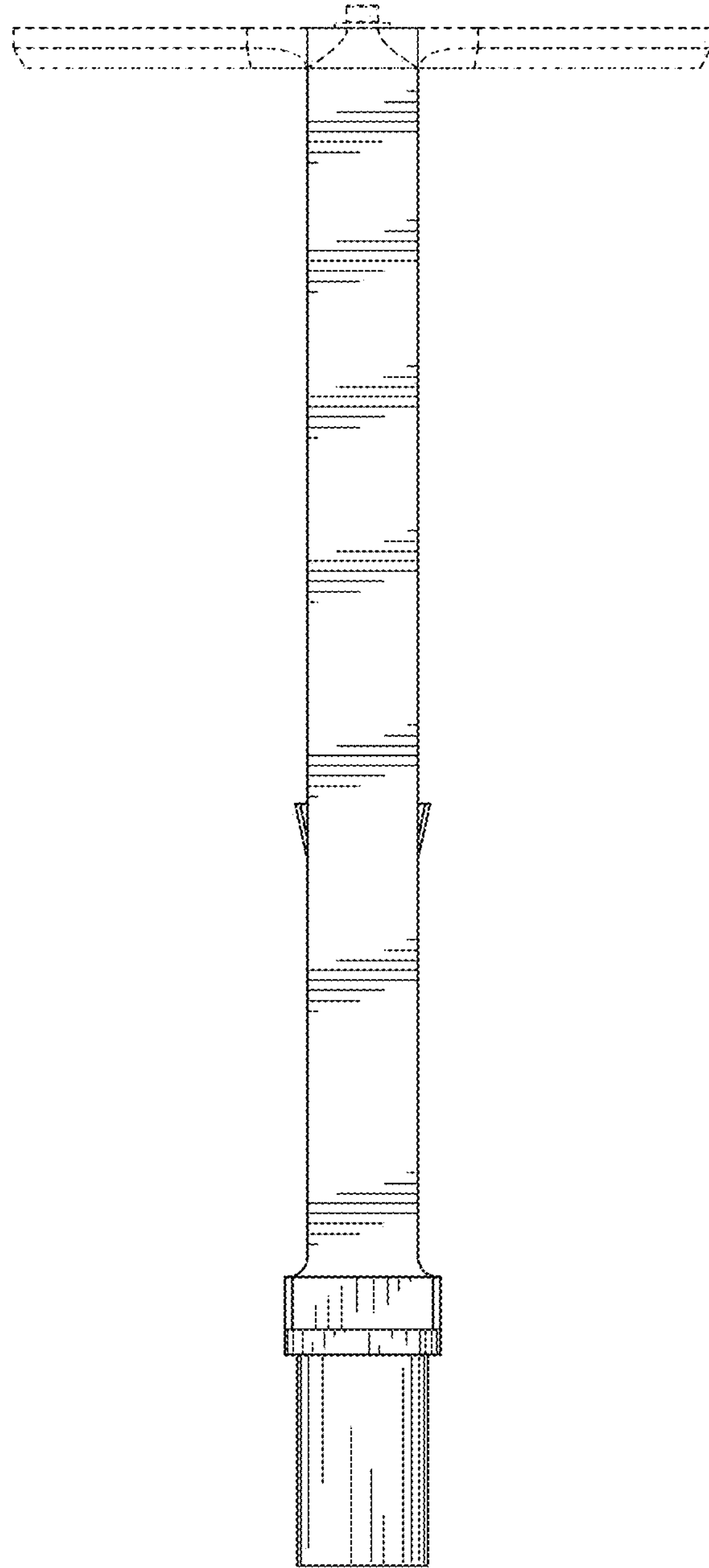


FIG. 4

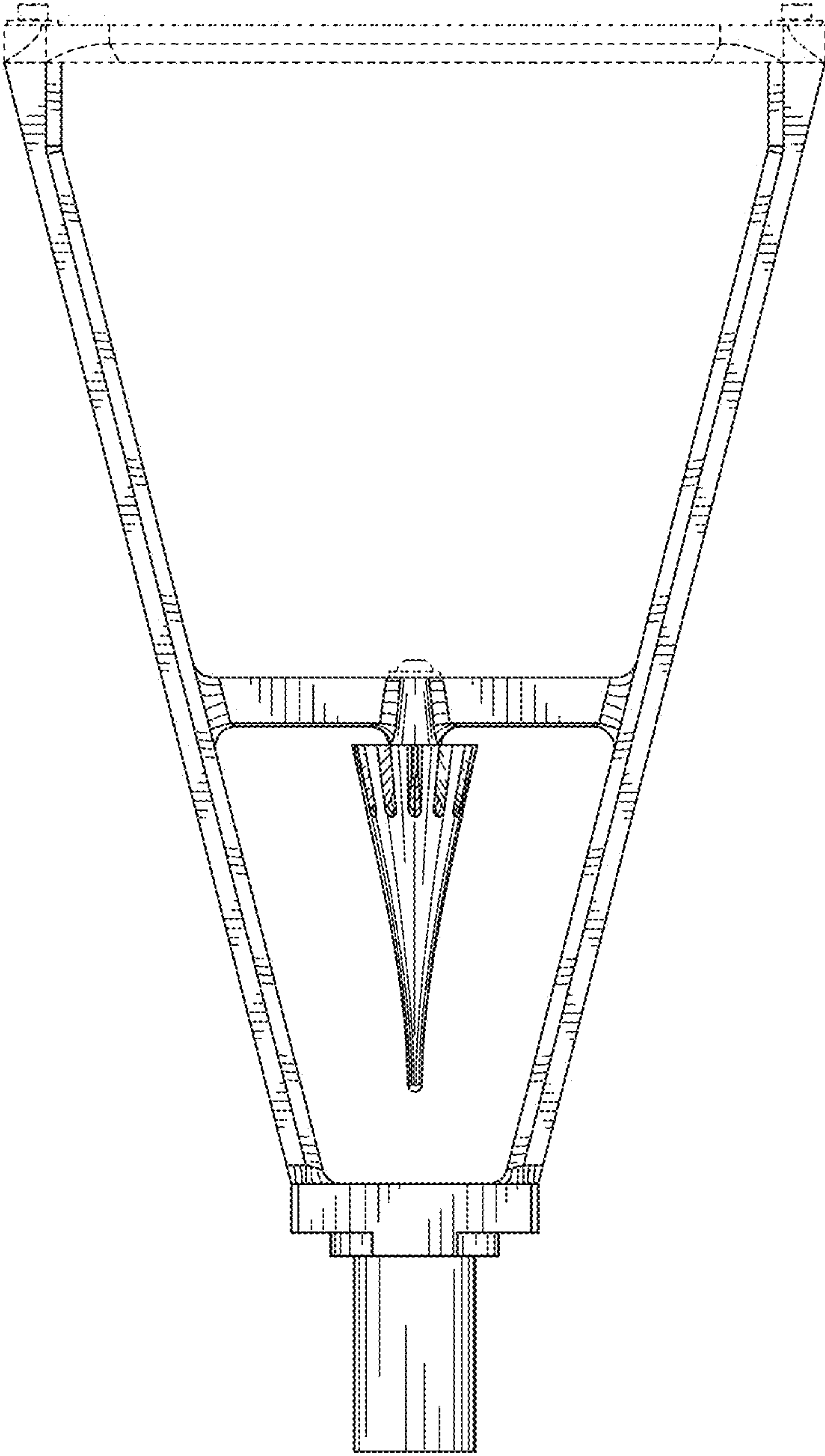


FIG. 5

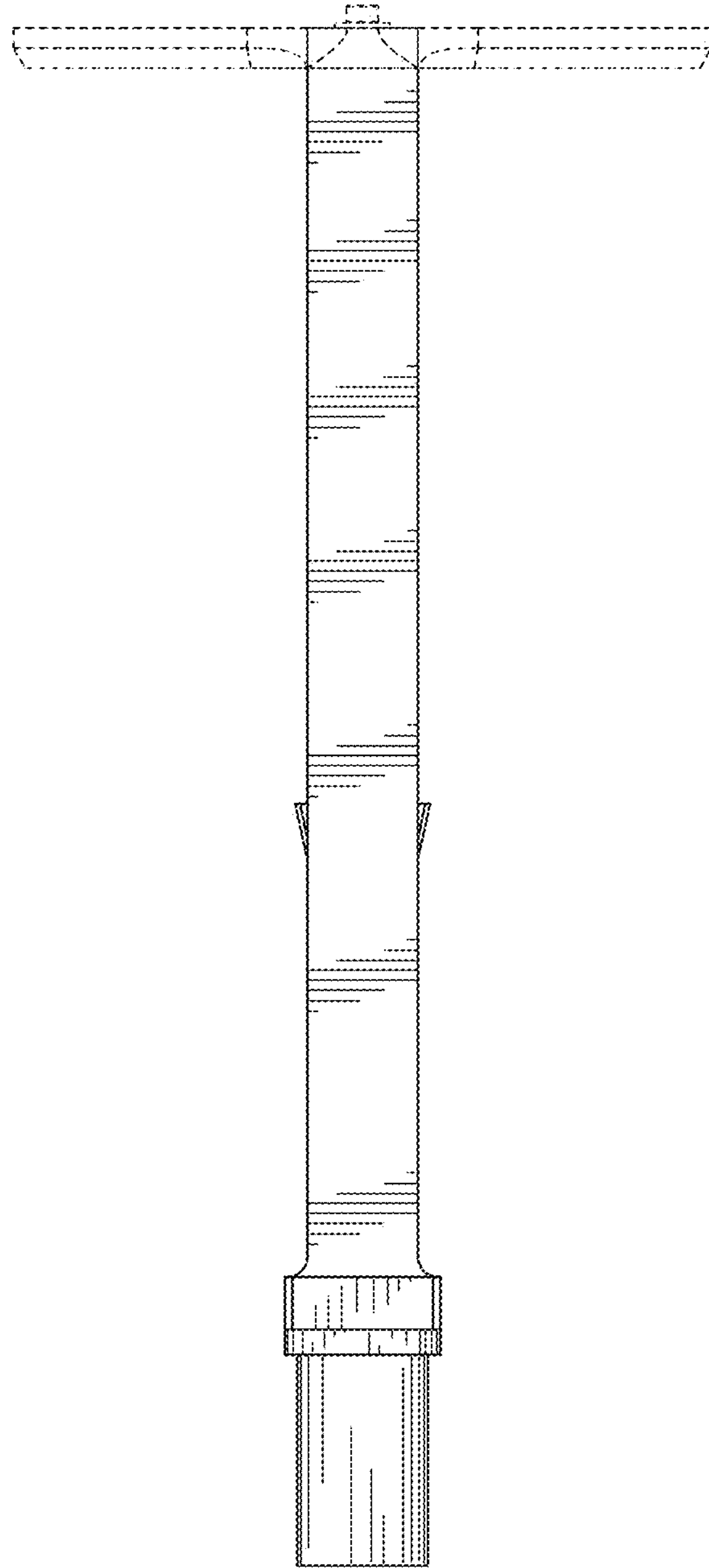


FIG. 6

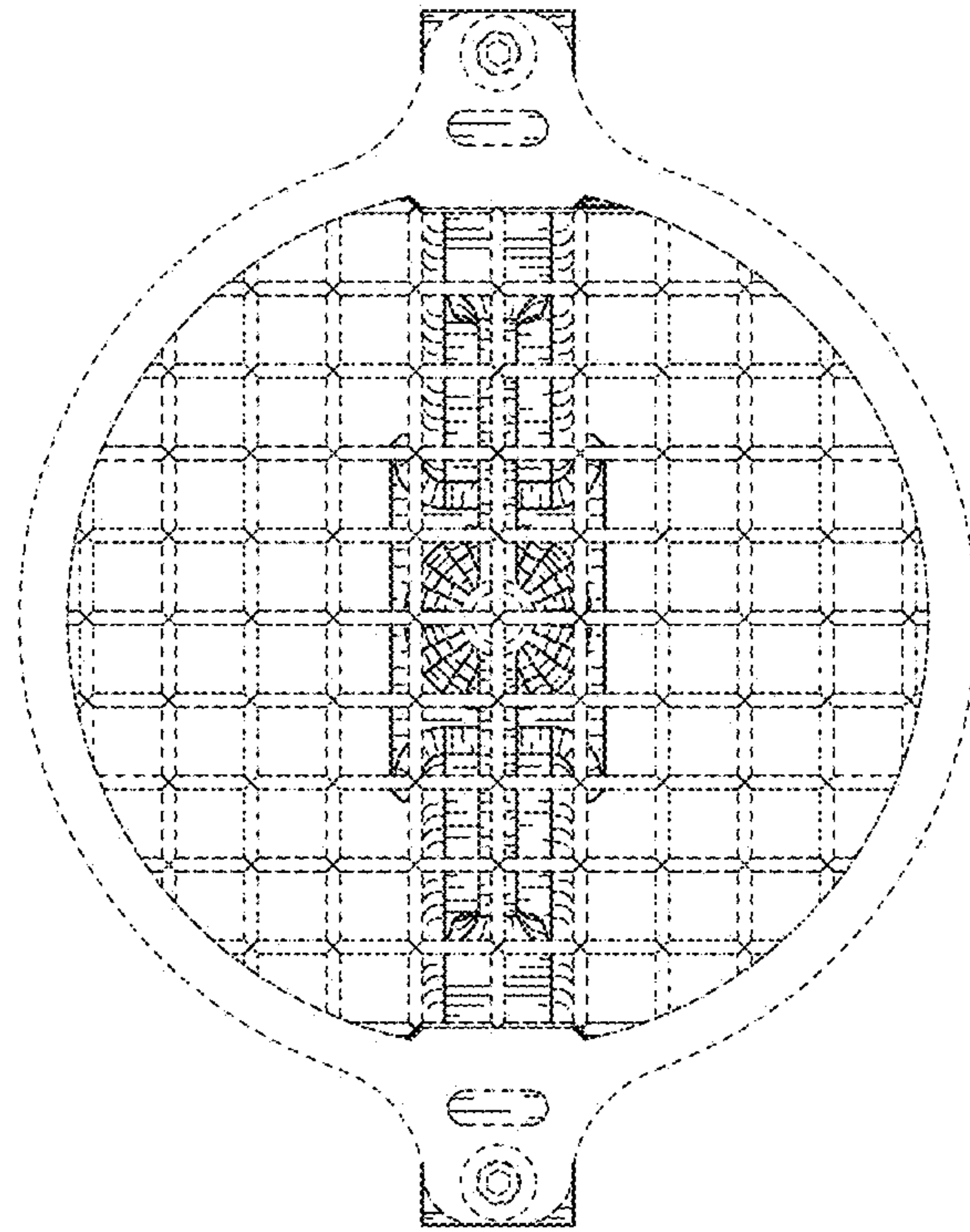


FIG. 7

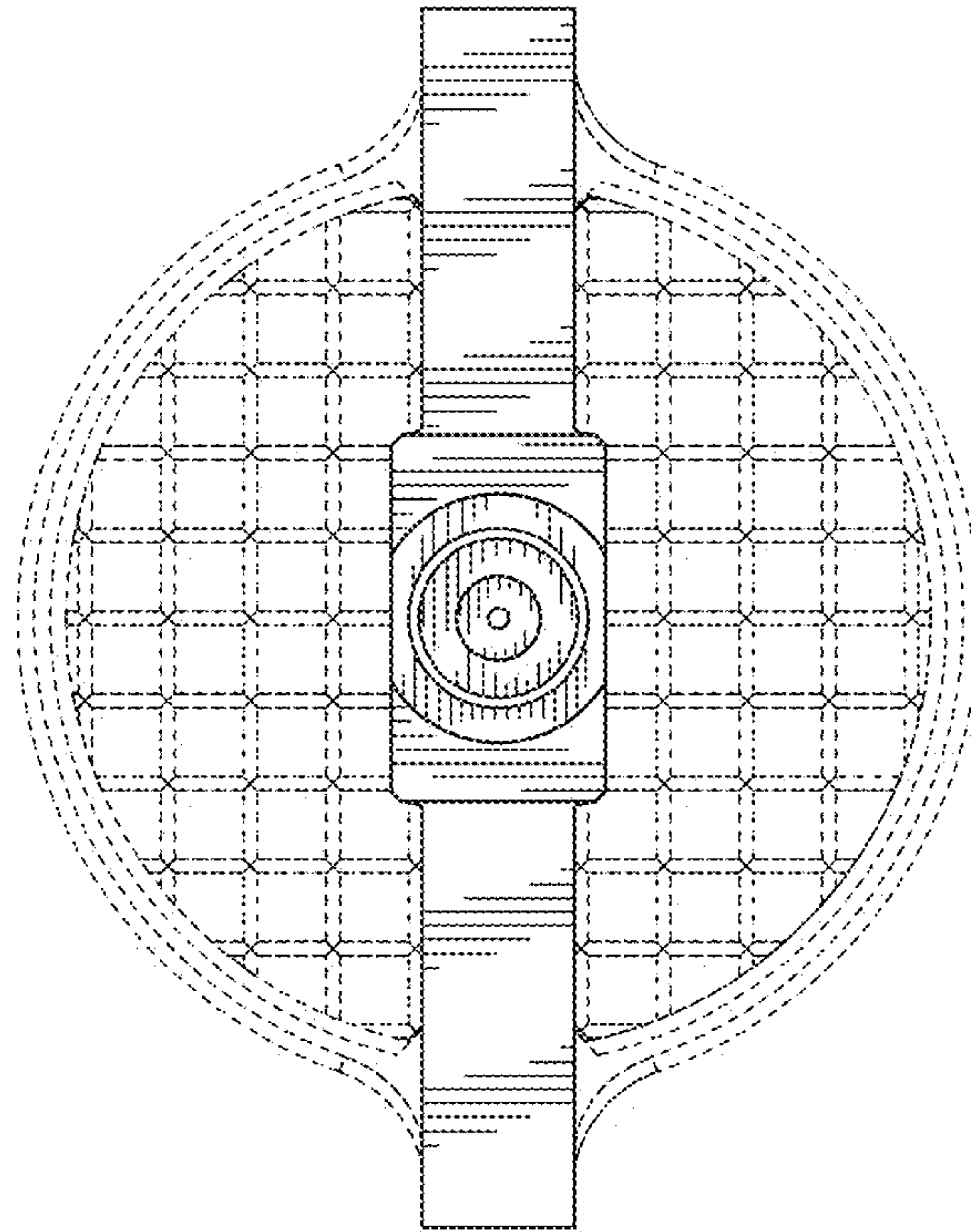


FIG. 8