



US00D976362S

(12) **United States Design Patent**
Snyder et al.

(10) **Patent No.:** **US D976,362 S**

(45) **Date of Patent:** **** Jan. 24, 2023**

(54) **APPLICATOR NOZZLE**

(71) Applicant: **GE Global Sourcing LLC**, Norwalk, CT (US)

(72) Inventors: **Robert J. Snyder**, Shawnee, KS (US);
Manuel L. Flores, Erie, PA (US)

(73) Assignee: **Transportation IP Holdings, LLC**, Norwalk, CT (US)

(**) Term: **15 Years**

(21) Appl. No.: **29/705,532**

(22) Filed: **Sep. 12, 2019**

(51) **LOC (14) Cl.** **23-01**

(52) **U.S. Cl.**
USPC **D23/213**

(58) **Field of Classification Search**
USPC D23/213, 214, 215, 221-222, 223, 224,
D23/226, 229, 230; D9/439, 440,
D9/442-449, 682, 685, 686, 435, 450,
D9/454; D7/507, 509-511, 523, 391,
D7/392, 392.1, 396.2, 605, 608, 900;
D6/515

CPC A61H 9/0021; A61H 33/00; B05B 1/00;
B05B 1/14; B05B 1/185; B05B 1/08;
B05B 1/02; B05B 1/26; B05B 12/002;
B05B 1/18; B05B 9/01; B65D 83/205;
B65D 83/206; B65D 83/40; B65D
2543/00046; A47G 19/2272

See application file for complete search history.

(56) **References Cited**

U.S. PATENT DOCUMENTS

D305,736 S * 1/1990 Berg D9/447
D356,259 S * 3/1995 Hoyt D9/436
5,908,124 A * 6/1999 Klauke B65D 1/0238
264/516

D670,165 S * 11/2012 Ishizawa D9/449
D718,131 S * 11/2014 Brown D9/447
D723,136 S * 2/2015 Roberts D23/213
D737,143 S * 8/2015 Brown D9/447
D797,534 S * 9/2017 Pentland D8/45
D803,054 S * 11/2017 van Spronsen D9/443
D806,149 S * 12/2017 Williams D15/138
D813,669 S * 3/2018 Pentland D8/45
D837,933 S * 1/2019 Carroll D23/213
D859,987 S * 9/2019 Kravchenko D9/447
D894,001 S * 8/2020 Huang D9/455

(Continued)

OTHER PUBLICATIONS

Albedel 3 pcs Caulk Nozzle Applicator, Aug. 28, 2021, amazon.ca, Aug. 30, 2022, URL: <https://www.amazon.ca/Albedel-Applicator-Finishing-Silicone-Building/dp/B09CGTF5LV/> (Year: 2021).*

Primary Examiner — Keith J Wilson

(74) *Attorney, Agent, or Firm* — The Small Patent Law Group LLC; Philip S. Hof

(57) **CLAIM**

The ornamental design for an applicator nozzle, as shown and described.

DESCRIPTION

FIG. 1 is a top perspective view of an applicator nozzle, showing our new design.

FIG. 2 is a side view of the applicator nozzle;

FIG. 3 is a bottom perspective view of the applicator nozzle;

FIG. 4 is a first end view of the applicator nozzle;

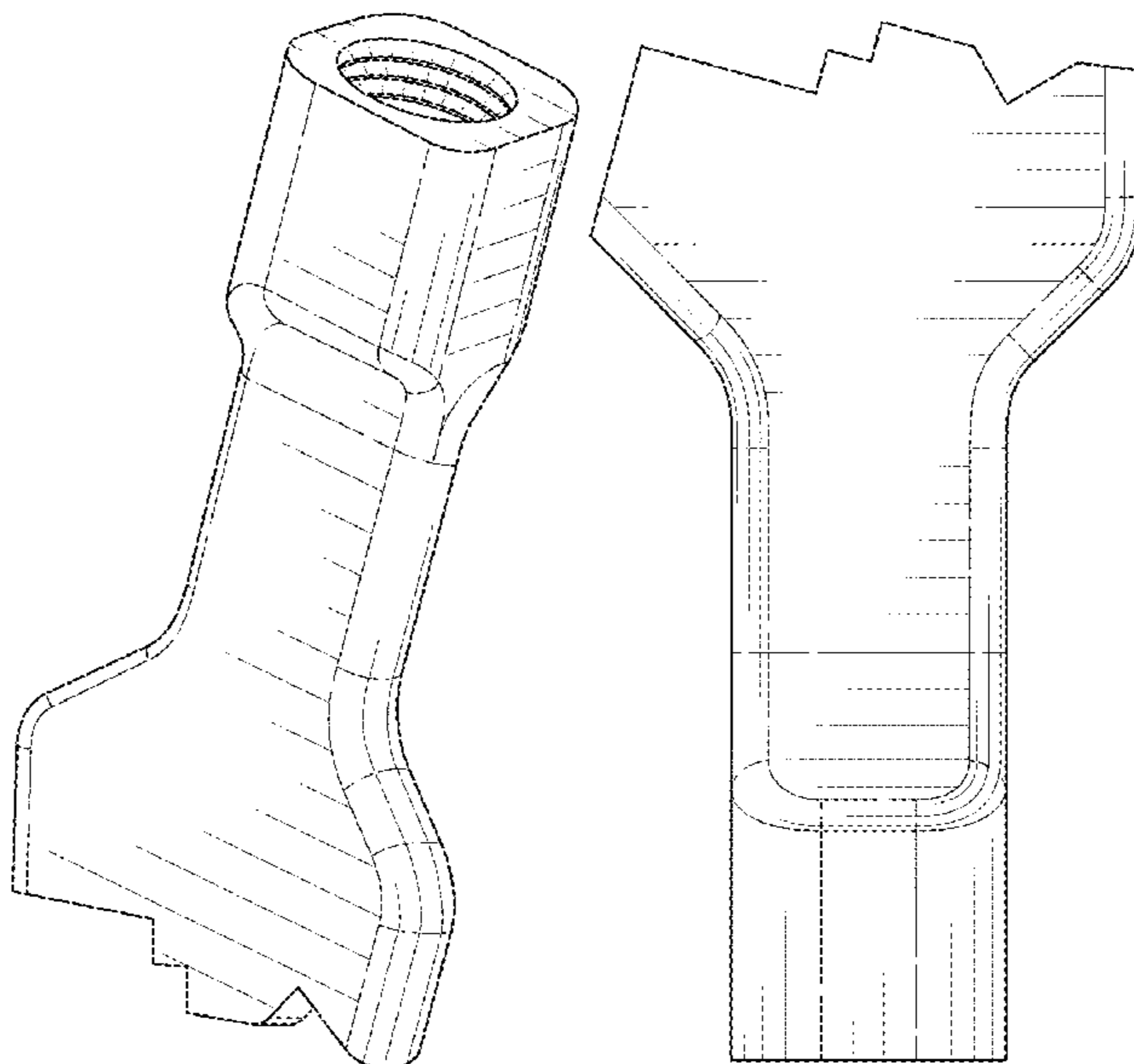
FIG. 5 is a second end view of the applicator nozzle;

FIG. 6 is a bottom view of the applicator nozzle; and,

FIG. 7 is a top view of the applicator nozzle.

The broken lines illustrate portions of the applicator nozzle that form no part of the claimed design. The dashed circular broken line in FIG. 7 defines a boundary of the claimed design within which no subject matter is claimed.

1 Claim, 3 Drawing Sheets



(56)

References Cited

U.S. PATENT DOCUMENTS

D898,569 S * 10/2020 Pentland D8/45
D898,570 S * 10/2020 Pentland D8/45
D913,093 S * 3/2021 Van Den Hoonaard
B65D 81/361
D9/443
D941,958 S * 1/2022 Arenson D23/213
D946,706 S * 3/2022 Matsunaga D23/213
D949,015 S * 4/2022 Ruthe-Steinsiek D9/447
2004/0016440 A1 * 1/2004 De Laforcade B29C 45/2626
132/114
2004/0238564 A1 * 12/2004 Bourque B65D 75/5883
222/92
2009/0043248 A1 * 2/2009 Peterson A61B 17/20
604/22
2018/0093293 A1 * 4/2018 Hangley B05C 17/00513
2021/0079267 A1 * 3/2021 Snyder B05C 1/006

* cited by examiner

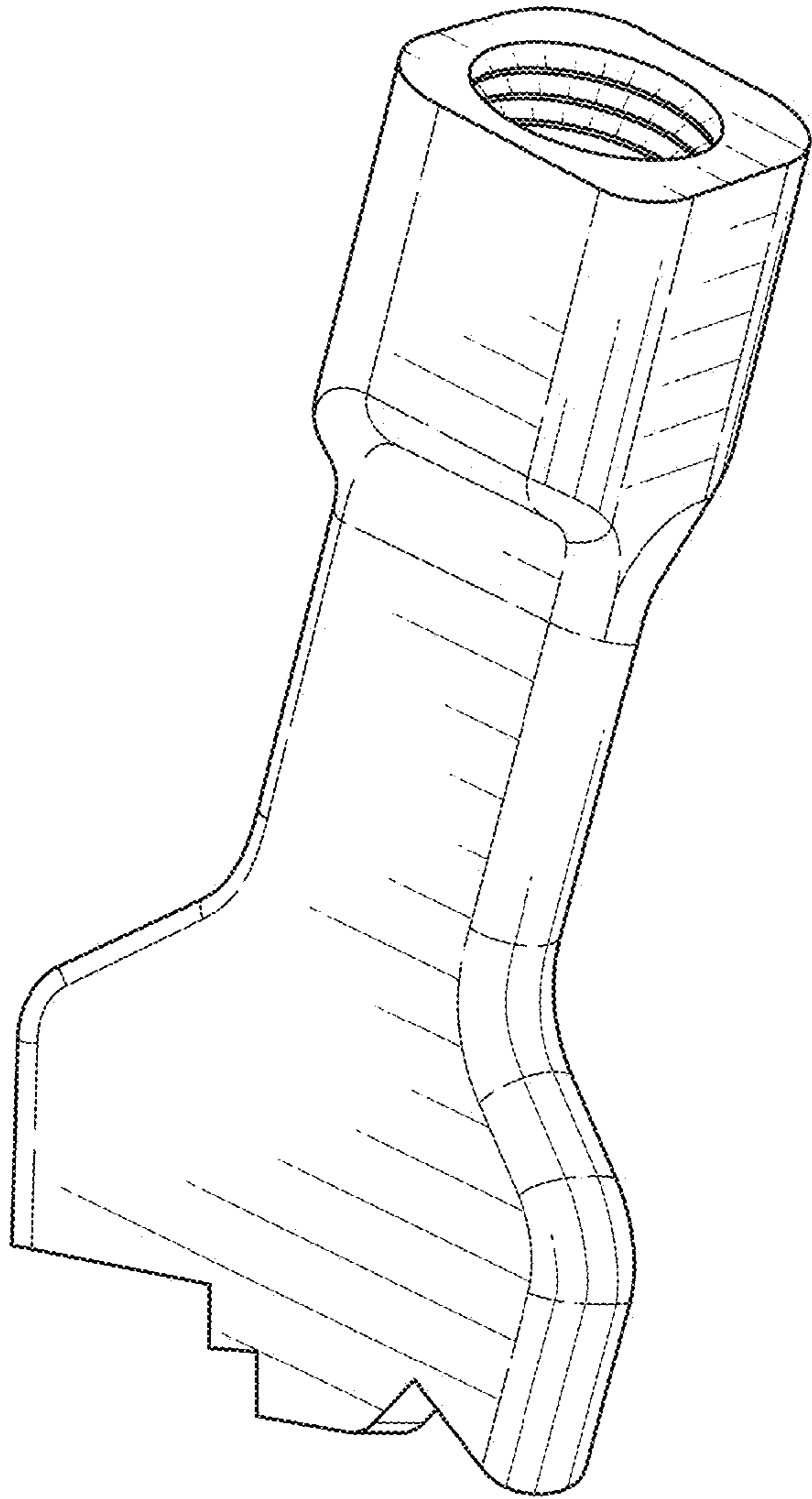


FIG. 1

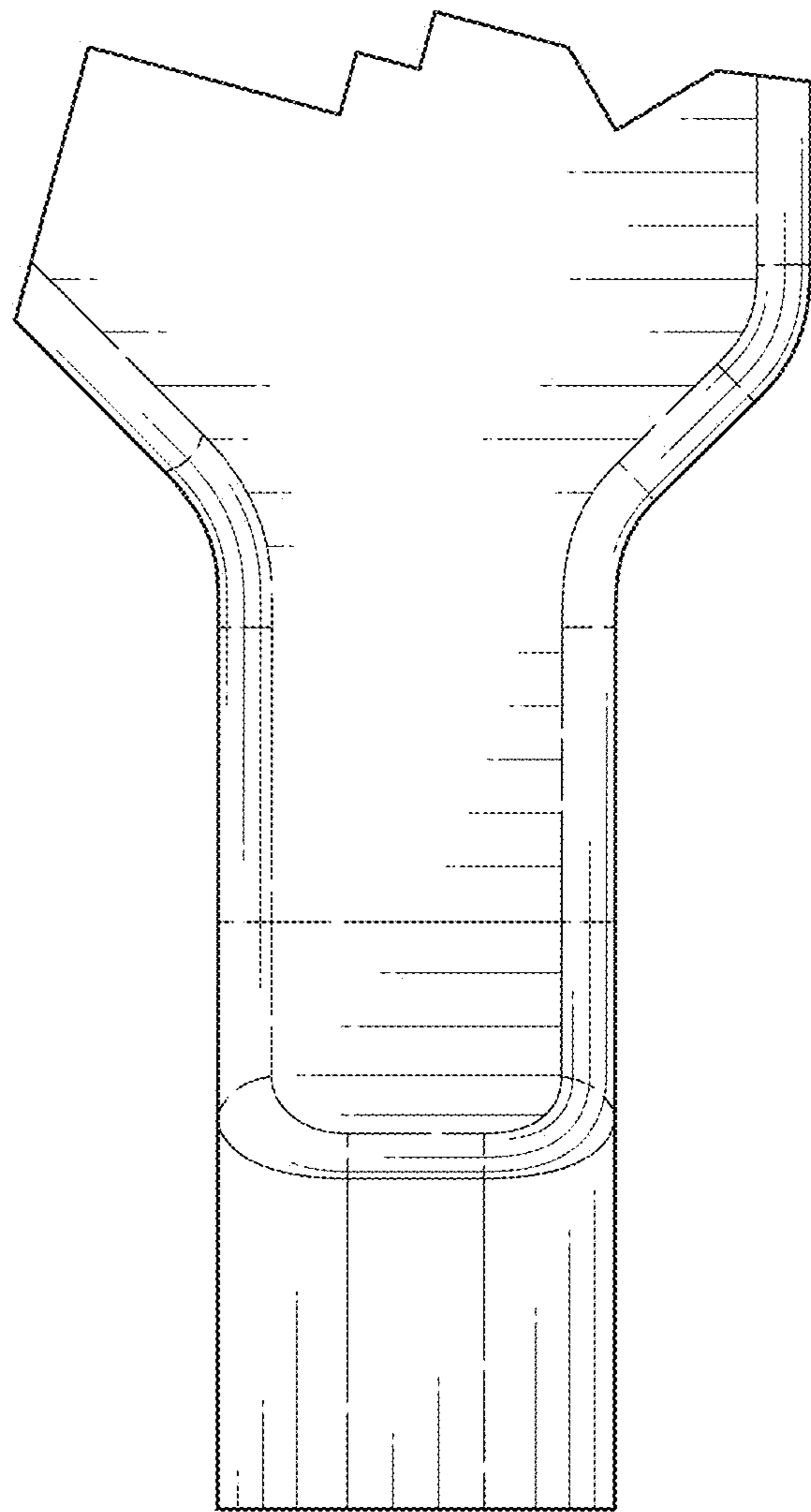


FIG. 2

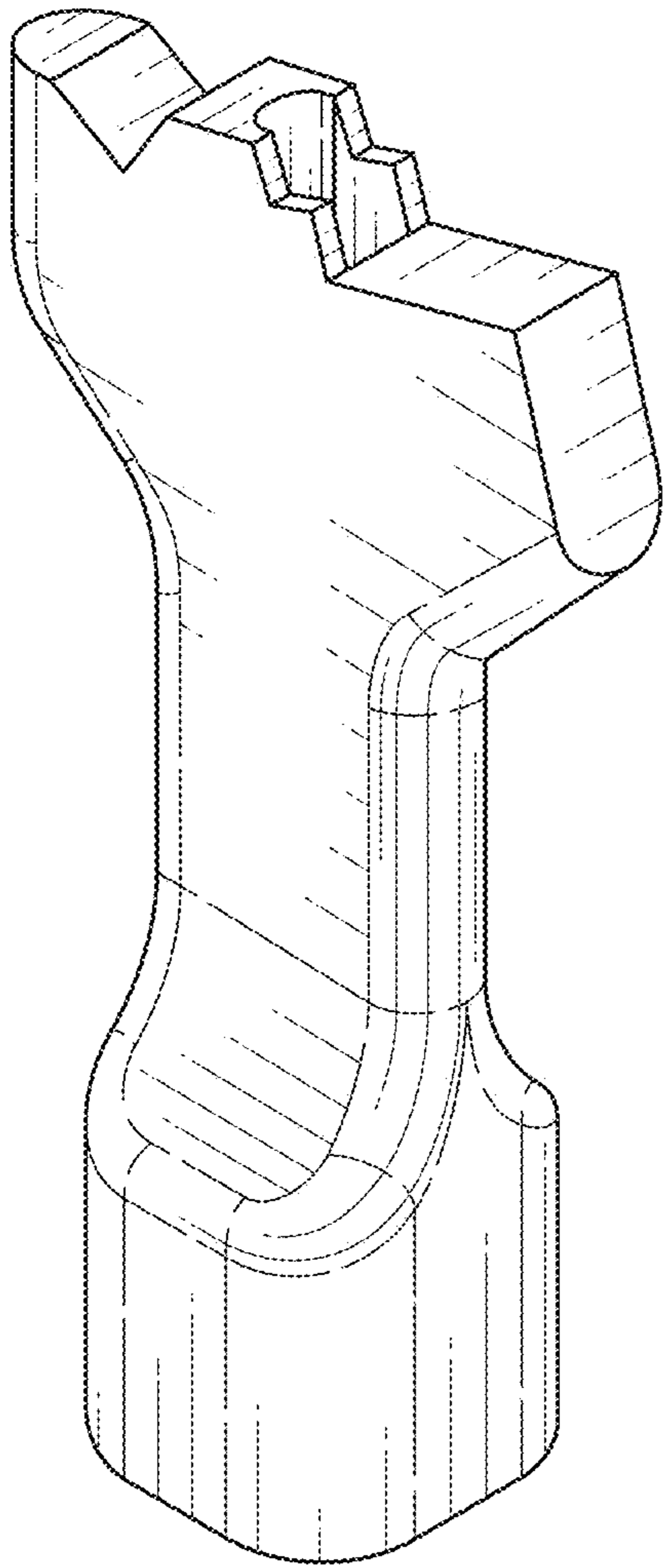


FIG. 3

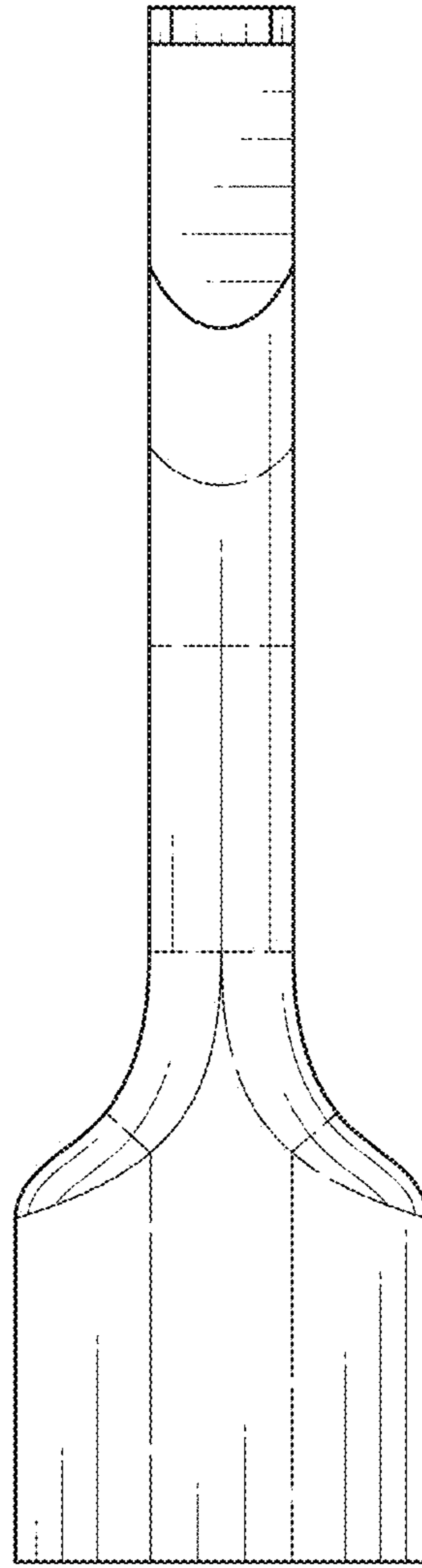


FIG. 4

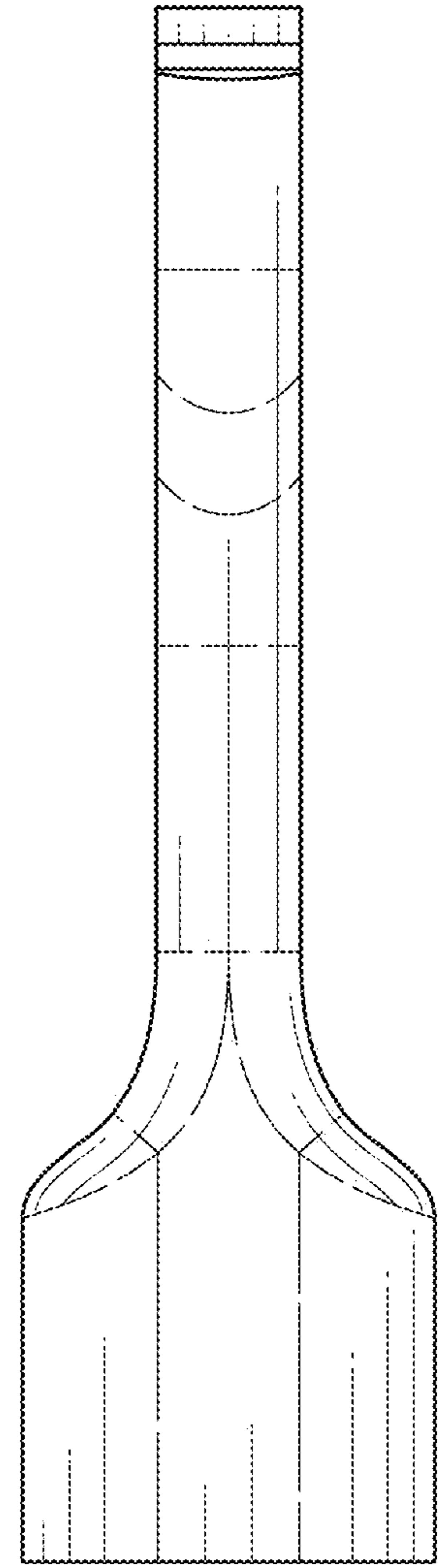


FIG. 5

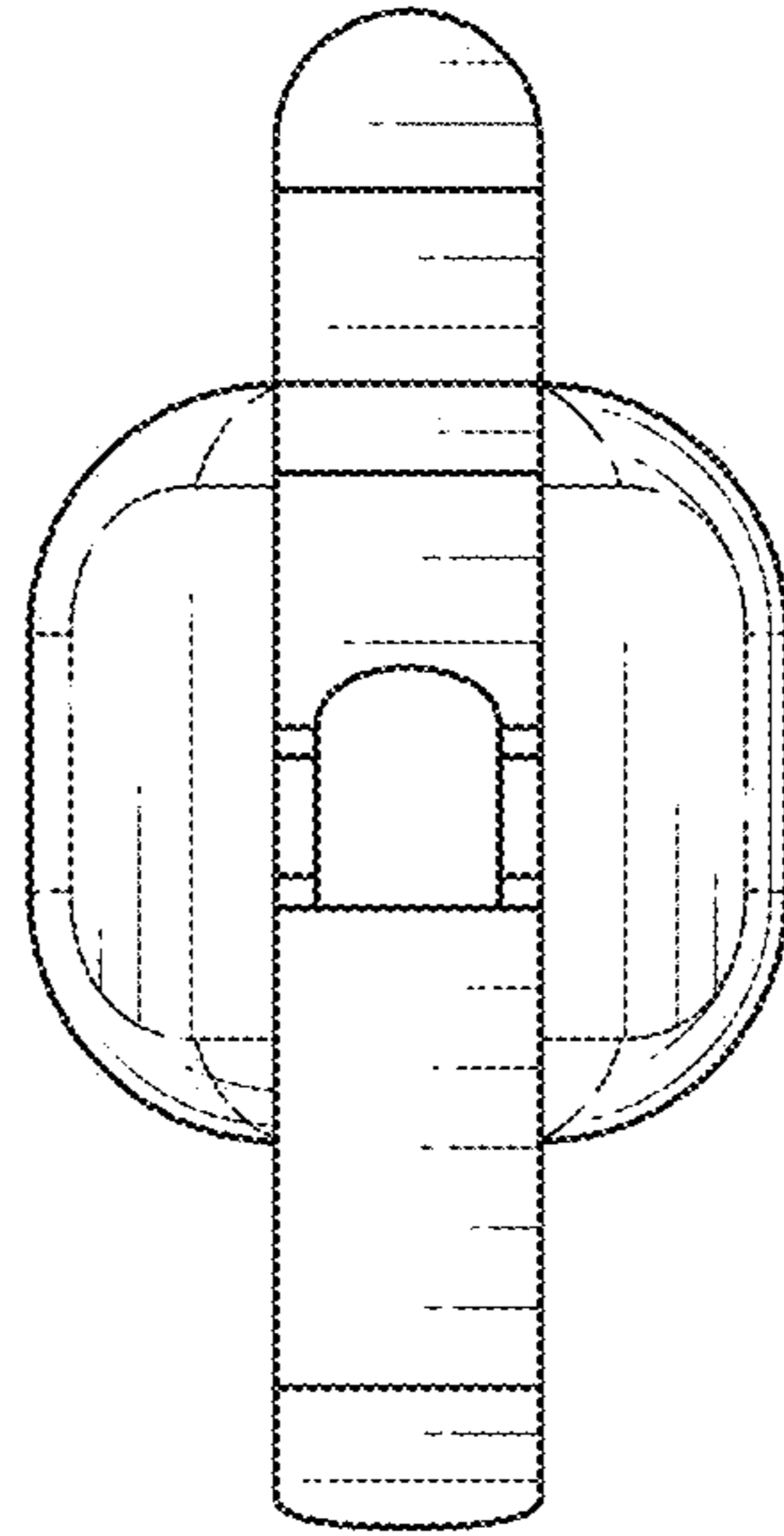


FIG. 6

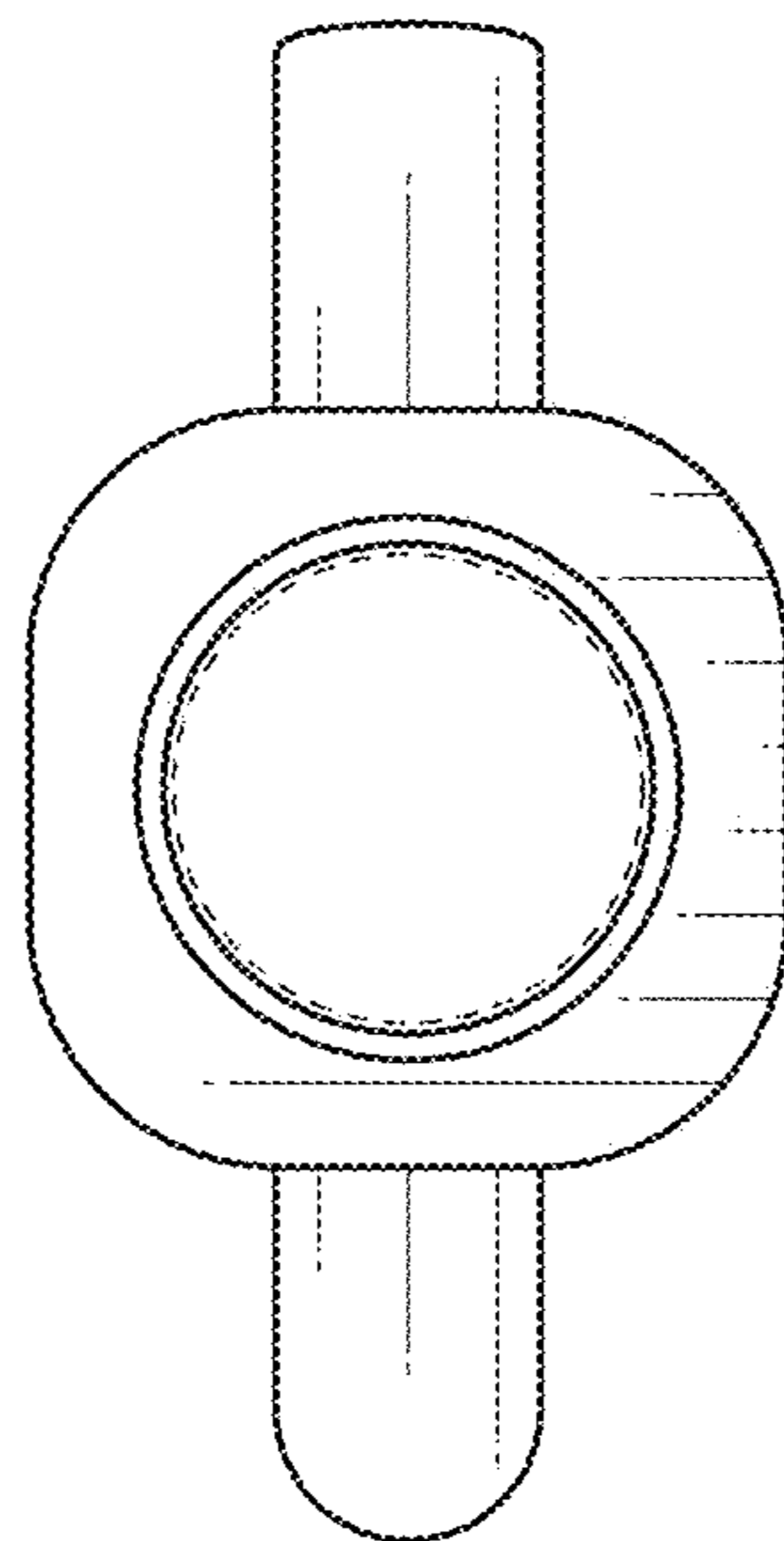


FIG. 7