



US00D976358S

(12) **United States Design Patent** (10) **Patent No.:** **US D976,358 S**  
**Rubel et al.** (45) **Date of Patent:** **\*\* Jan. 24, 2023**

(54) **INSECT ELIMINATING LAMP** 8,595,894 B1 \* 12/2013 Kakish ..... A47L 5/24  
43/107  
(71) Applicant: **PIC Corporation**, Linden, NJ (US) D900,956 S \* 11/2020 Du ..... D22/123  
D917,657 S \* 4/2021 Hua ..... D22/123

(72) Inventors: **Eric Rubel**, Westfield, NJ (US); **David L. Lowe**, Port Monmouth, NJ (US);  
**Lisa M. French**, Belford, NJ (US);  
**Lawrence E. Bradford**, Westfield, NJ (US)

(73) Assignee: **PIC Corporation**, Linden, NJ (US)

(\*\*) Term: **15 Years**

(21) Appl. No.: **29/765,323**

(22) Filed: **Jan. 7, 2021**

(51) **LOC (14) Cl.** ..... **22-06**

(52) **U.S. Cl.**  
USPC ..... **D22/123**

(58) **Field of Classification Search**  
USPC .... D22/122-123; D7/396.2, 396.6, 500, 509  
CPC ..... A01M 1/04; A01M 1/06; A01M 1/08;  
A01M 1/023; A01M 1/026; A01M 1/106;  
A01M 1/223; A01M 1/2005; A01M  
1/2011; A01M 2200/012; A47L 5/24  
See application file for complete search history.

(56) **References Cited**

**U.S. PATENT DOCUMENTS**

3,319,374 A \* 5/1967 Gawne ..... A01M 1/08  
43/112  
D334,321 S \* 3/1993 Falzorano ..... D7/527  
5,943,815 A \* 8/1999 Paganessi ..... A01M 1/023  
43/132.1  
6,401,384 B1 \* 6/2002 Contadini ..... A01M 1/026  
43/132.1  
D514,387 S \* 2/2006 Rockwell, Jr. .... D7/507  
7,065,919 B1 \* 6/2006 Vierra ..... A01M 3/022  
43/136  
D560,436 S \* 1/2008 Mangano ..... D7/509  
8,375,624 B2 \* 2/2013 Blazer ..... A01M 1/106  
43/134

**OTHER PUBLICATIONS**

[https://www.amazon.com/PIC-Insect-Killer-Zapper-Contact/do/B086R7WVZZ/ref=sr\\_1\\_1?crd=2L85C22PIUYXU&keywords=pic%2Bsolar%2Binsect%2Bkiller%2Btorch%2B\(DFST\)%2C%2Bbug%2Bzapper%2Band%2Bflame%2Baccent%2Blight%2Bkills%2Bbugs%2Bon%2Bcontact%2B-%2Btwin%2Bpack&qid=1647888192&sprefix=pic%2Bsolar%2Binsect%2Bkills%2Bbugs%2Bon%2Bcontact%2B-%2Btwin%2Bpack%2Caps%2C50&sr=8-1&th=1](https://www.amazon.com/PIC-Insect-Killer-Zapper-Contact/do/B086R7WVZZ/ref=sr_1_1?crd=2L85C22PIUYXU&keywords=pic%2Bsolar%2Binsect%2Bkiller%2Btorch%2B(DFST)%2C%2Bbug%2Bzapper%2Band%2Bflame%2Baccent%2Blight%2Bkills%2Bbugs%2Bon%2Bcontact%2B-%2Btwin%2Bpack&qid=1647888192&sprefix=pic%2Bsolar%2Binsect%2Bkills%2Bbugs%2Bon%2Bcontact%2B-%2Btwin%2Bpack%2Caps%2C50&sr=8-1&th=1) (Year: 2020).\*

\* cited by examiner

*Primary Examiner* — Catherine R Oliver-Garcia  
(74) *Attorney, Agent, or Firm* — Amster, Rothstein & Ebenstein LLP

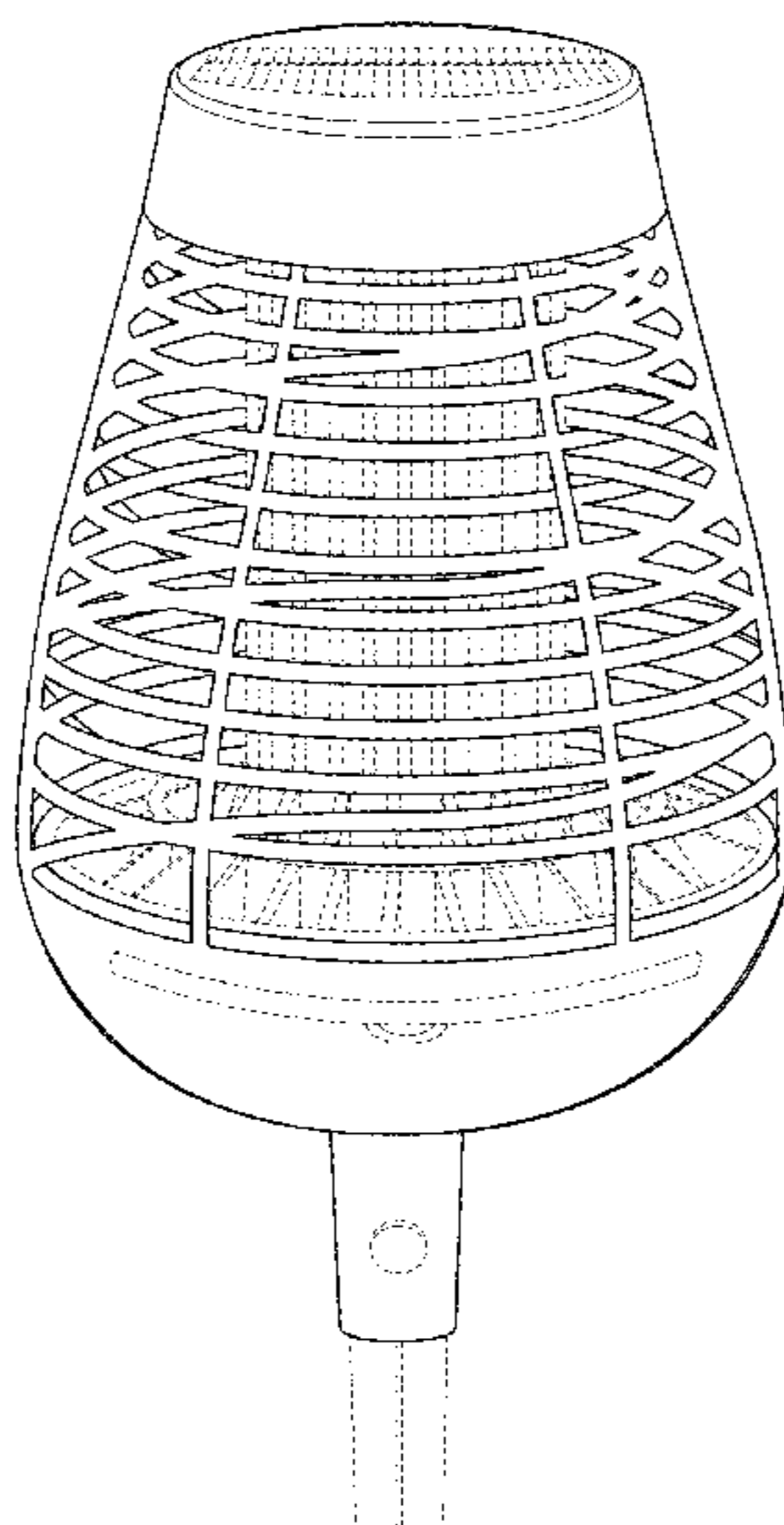
(57) **CLAIM**

The ornamental design for an insect eliminating lamp, as shown and described.

**DESCRIPTION**

FIG. 1 is a top and front perspective view of an insect eliminating lamp showing our new design;  
FIG. 2 is a bottom and front perspective view thereof;  
FIG. 3 is a front view thereof;  
FIG. 4 is a rear view thereof;  
FIG. 5 is a side view thereof;  
FIG. 6 is an opposite side view thereof;  
FIG. 7 is a top view thereof; and,  
FIG. 8 is a bottom view thereof.  
The broken lines show portions of the insect eliminating lamp included for the purpose of illustration only and form no part of the claimed design.

**1 Claim, 7 Drawing Sheets**



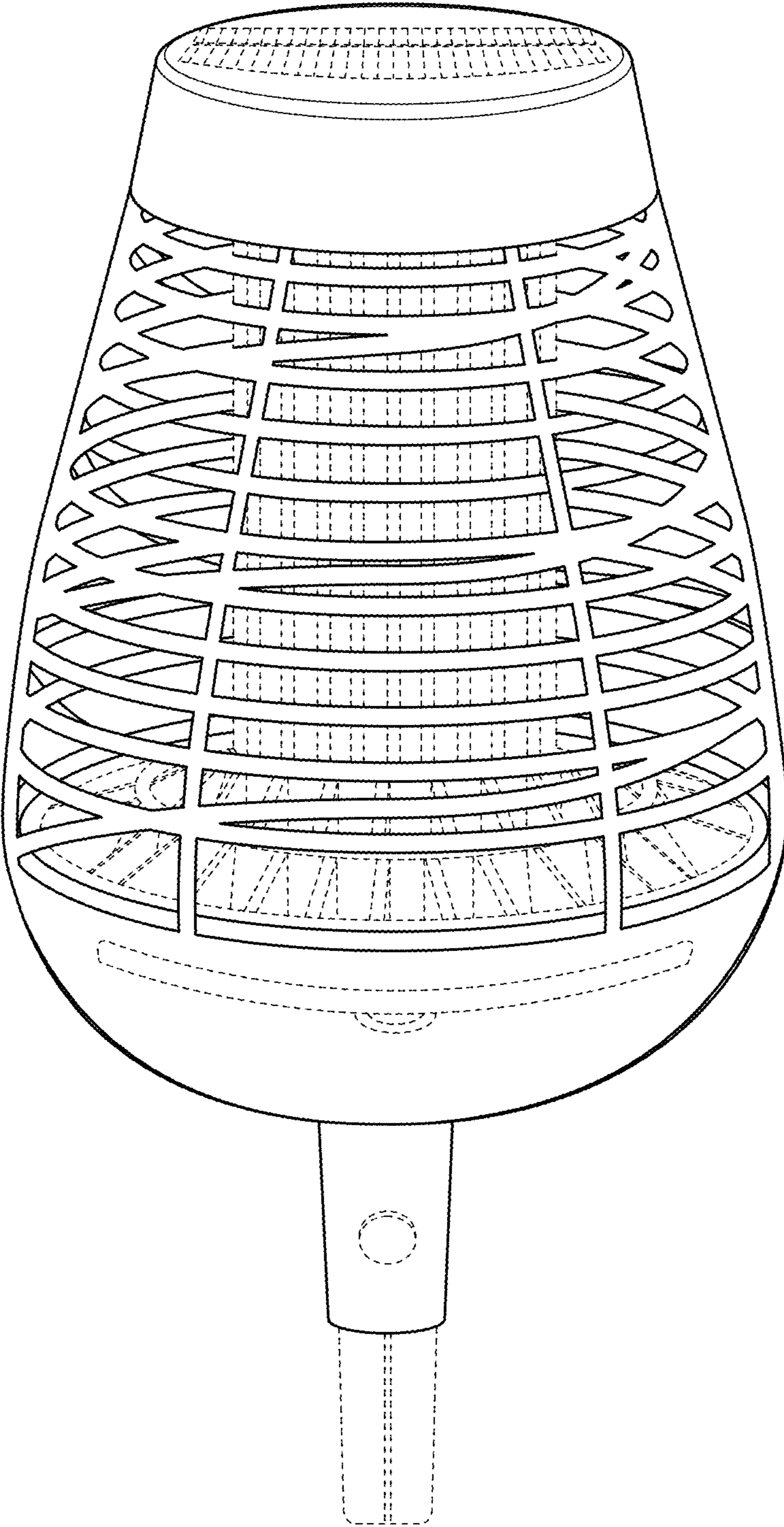


FIG. 1

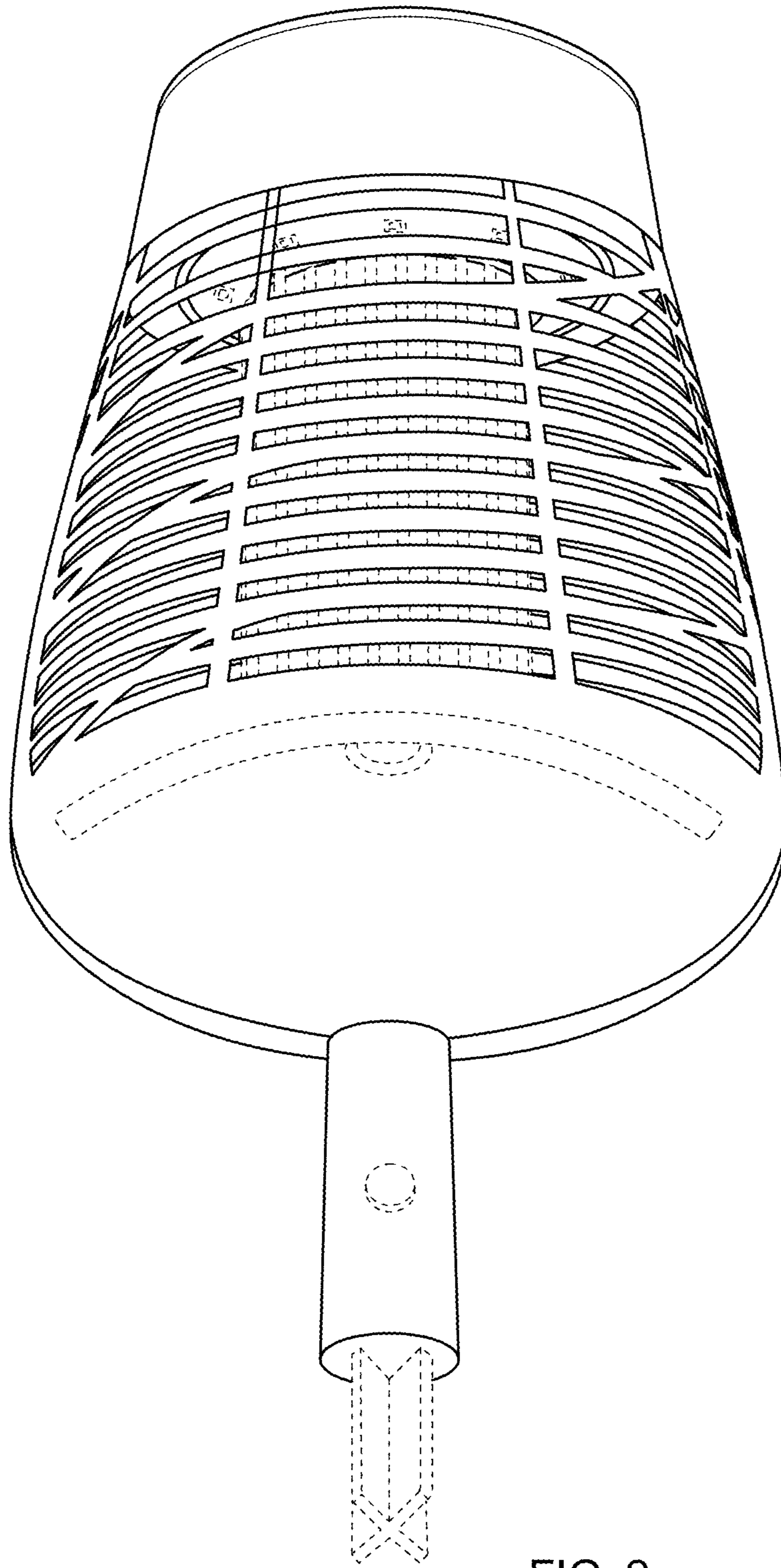


FIG. 2



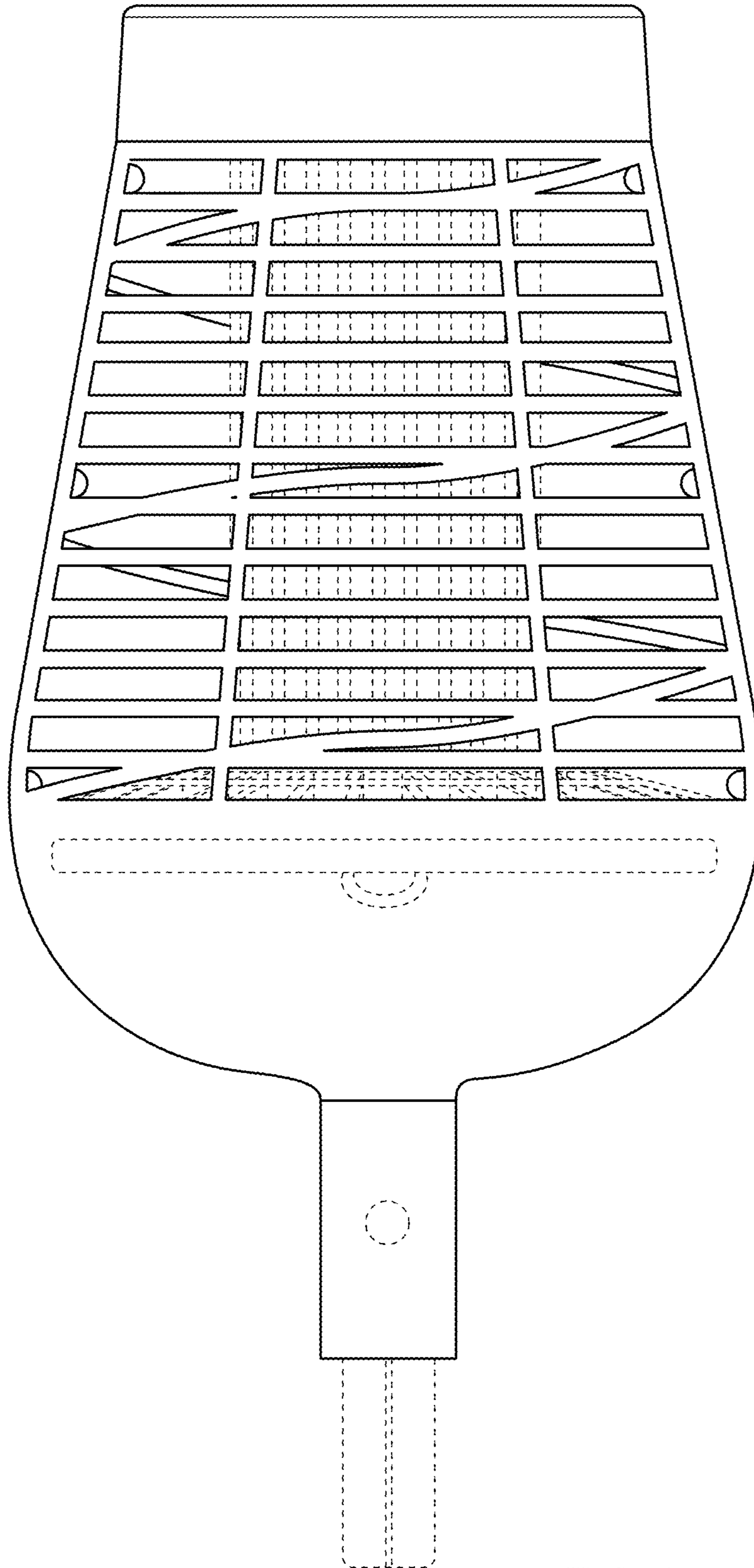


FIG. 3

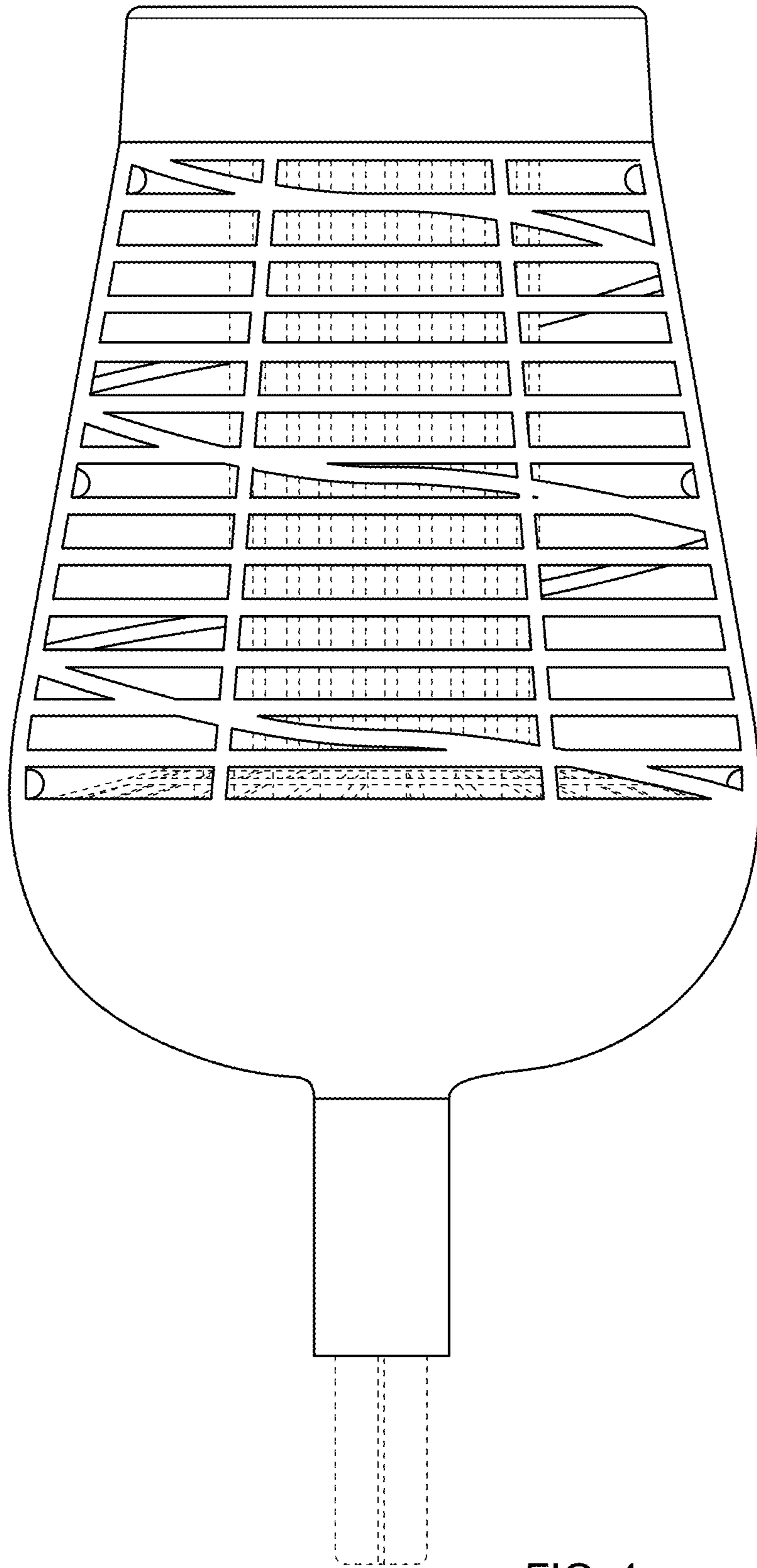


FIG. 4

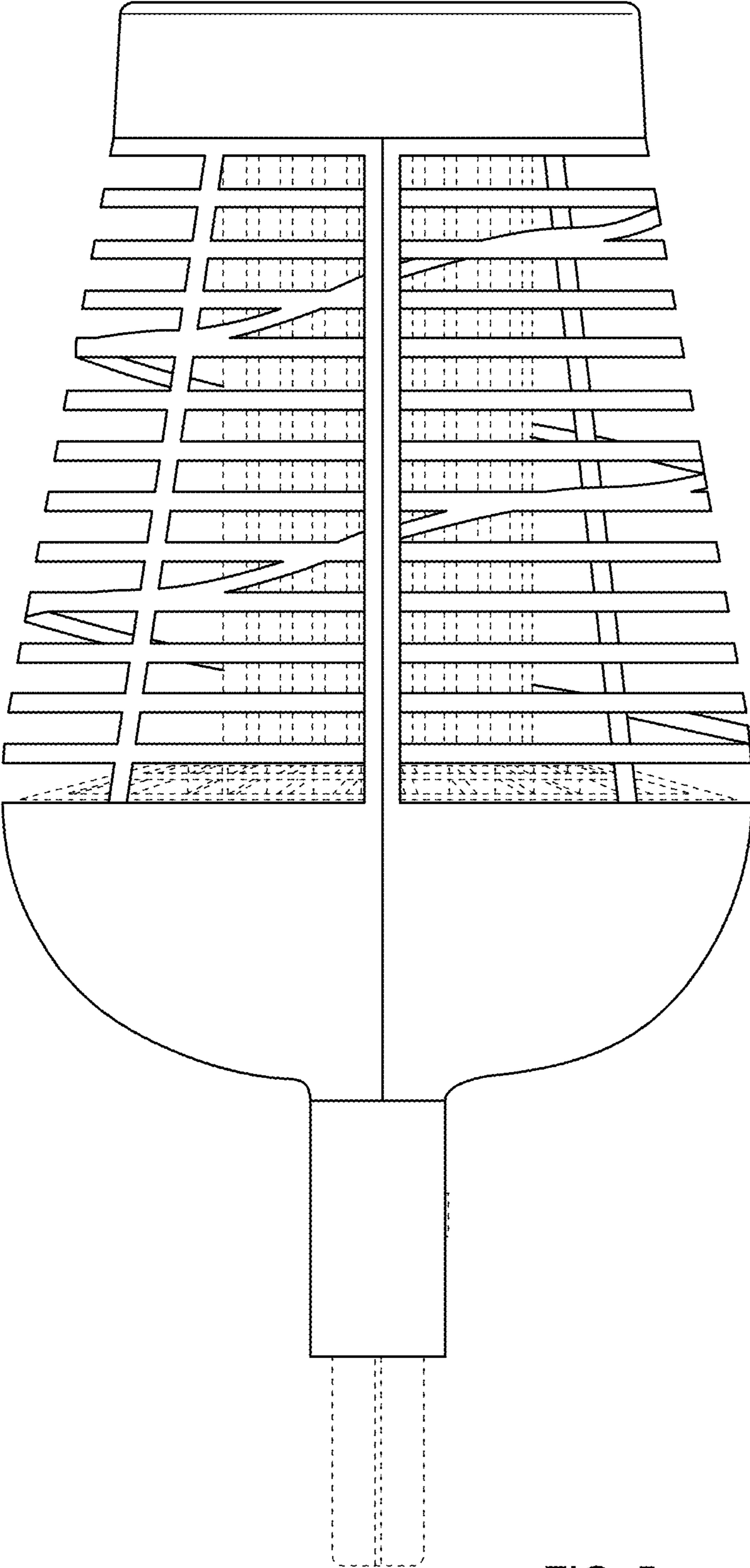


FIG. 5

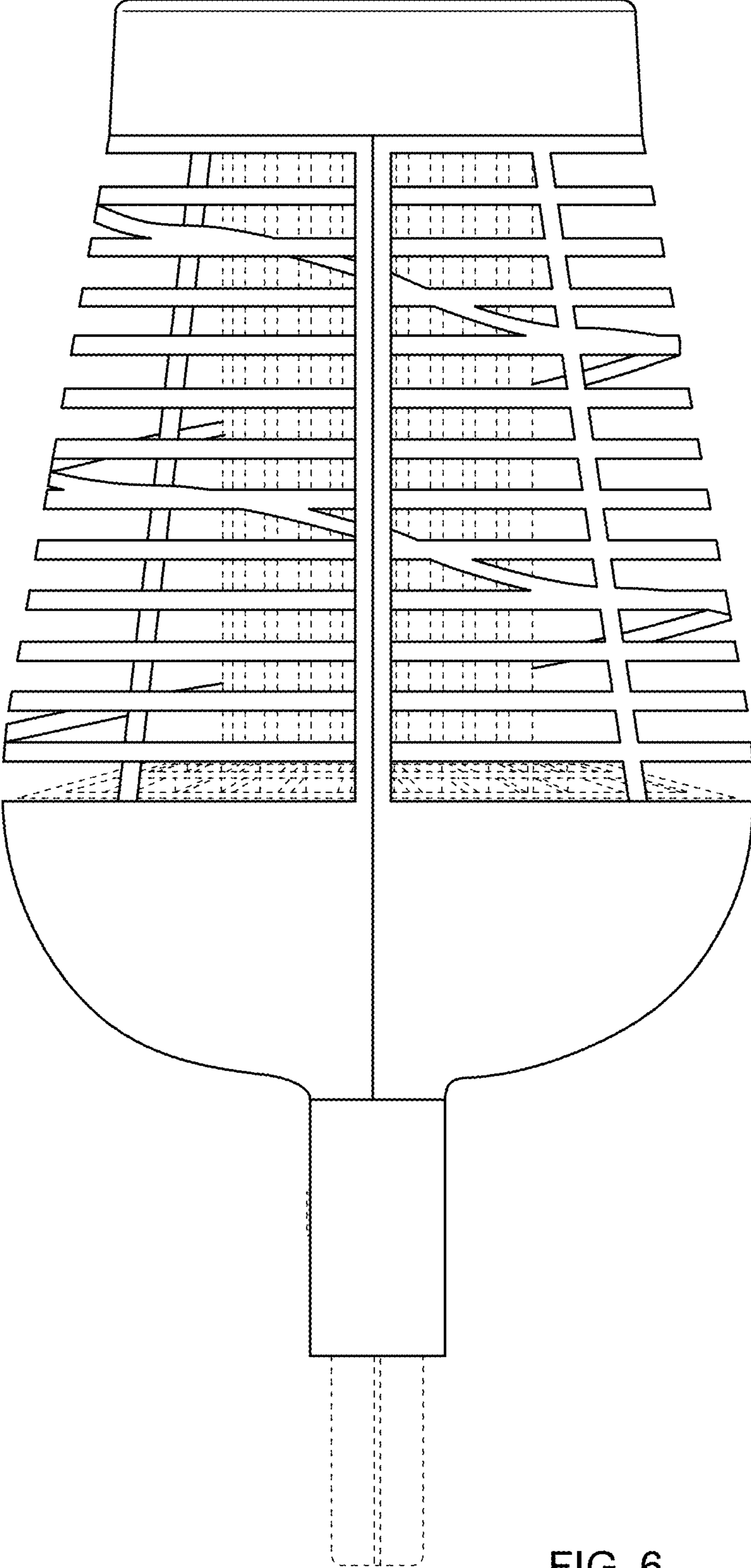


FIG. 6

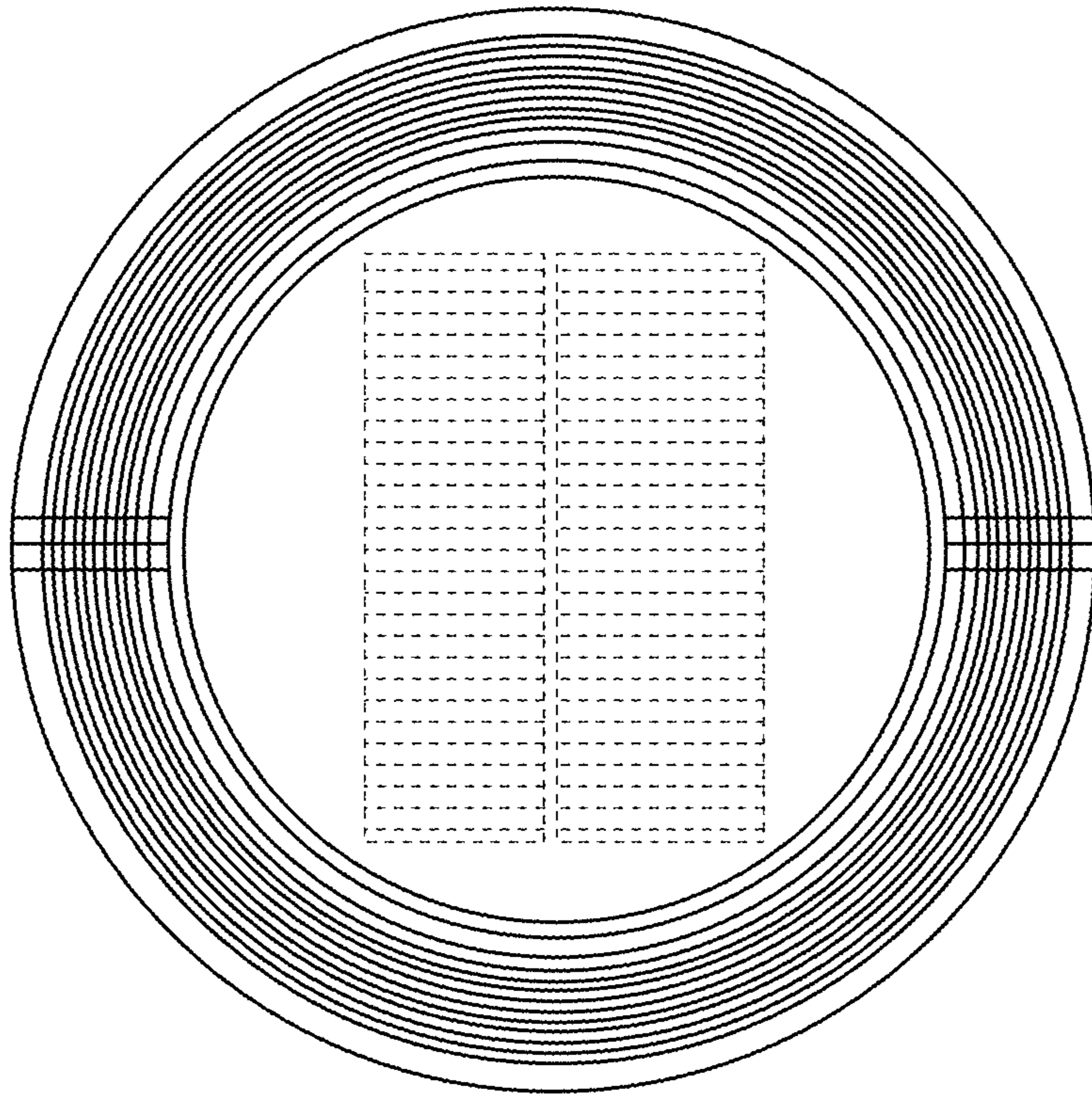


FIG. 7

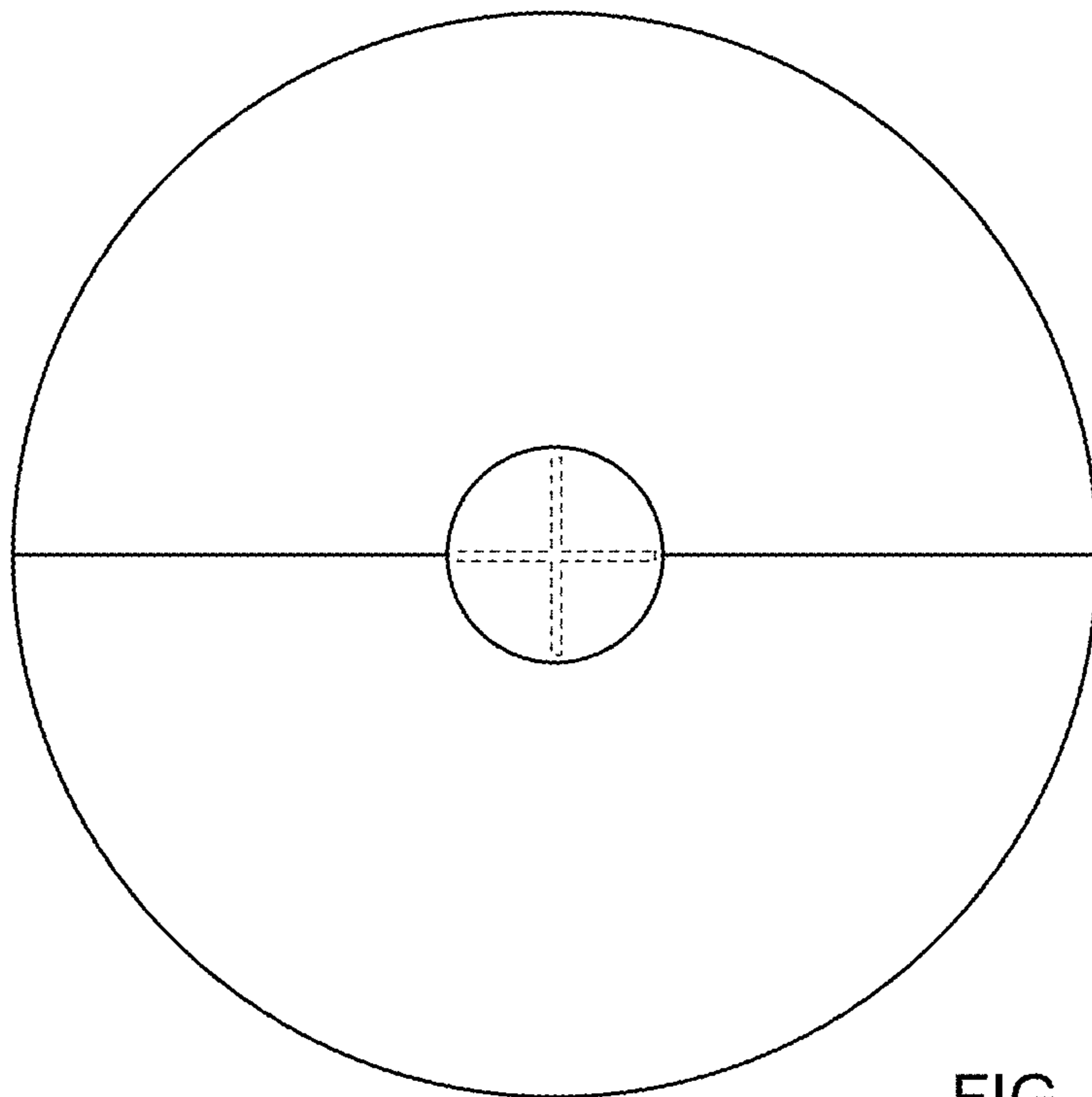


FIG. 8