



US00D976355S

(12) **United States Design Patent**  
**Burgon**

(10) **Patent No.:** **US D976,355 S**

(45) **Date of Patent:** **\*\* Jan. 24, 2023**

(54) **PARTS OF MODULAR PUMP TRACK**

(71) Applicant: **Parkitect s.r.o.**, Polanka (CZ)

(72) Inventor: **Erik Dzintars Burgon**, Jablunka nad Bevou (CZ)

(73) Assignee: **PARKITECT S.R.O.**, Valasska Polanka (CZ)

(\*\*) Term: **15 Years**

(21) Appl. No.: **35/512,149**

(22) Filed: **Jun. 18, 2021**

(80) **Hague Agreement Data**

Int. Filing Date: **Jun. 18, 2021**

Int. Reg. No.: **DM/215013**

Int. Reg. Date: **Jun. 18, 2021**

Int. Reg. Pub. Date: **Jul. 9, 2021**

(51) **LOC (14) Cl.** ..... **21-03**

(52) **U.S. Cl.**  
USPC ..... **D21/814; D21/817**

(58) **Field of Classification Search**  
USPC ..... D25/1, 6, 13, 15, 16, 18, 19, 33, 35, 36;  
D21/817, 827; D34/32  
CPC ..... E01D 15/133; A63C 19/00; A63C 19/10;  
E01C 13/00; E01C 13/003; E01C 13/04  
See application file for complete search history.

(56) **References Cited**

**U.S. PATENT DOCUMENTS**

D372,065 S \* 7/1996 Gilles ..... D21/821  
5,755,647 A \* 5/1998 Watnik ..... A63B 23/03575  
482/121  
6,513,179 B1 \* 2/2003 Pan ..... A47G 9/109  
5/636  
D506,800 S \* 6/2005 Auberger ..... D21/814  
D511,215 S \* 11/2005 Vaia ..... D25/1  
D686,343 S \* 7/2013 Racek ..... D25/18  
D695,857 S \* 12/2013 Sterios ..... D21/686  
D697,634 S \* 1/2014 Aston ..... D25/1

D745,186 S \* 12/2015 Aston ..... D25/1  
D755,313 S \* 5/2016 Dima ..... D21/687  
D819,763 S \* 6/2018 Rademacher ..... D21/814  
D820,374 S \* 6/2018 Rademacher ..... D21/814  
D825,015 S \* 8/2018 Rademacher ..... D21/814  
D844,821 S \* 4/2019 Boe-Wiegaard ..... D25/56

**OTHER PUBLICATIONS**

Australia Murray Resort Parkitect\_s.r.o. pump\_track (available online)  
Retrieved from the internet Sep. 6, 2022 from URL: <http://www.parkitect.cz/realizace/event/AUSTasmanHolidayPark>.  
How to Ride a Pumtrack (available online Apr. 9, 2016 ) Retrieved from the internet Sep. 6, 2022 from URL: [https://www.youtube.com/watch?v=HoCiojl\\_Nb4](https://www.youtube.com/watch?v=HoCiojl_Nb4).

\* cited by examiner

*Primary Examiner* — Richard Kearney

(74) *Attorney, Agent, or Firm* — Ralph E. Jocke; Walker & Jocke

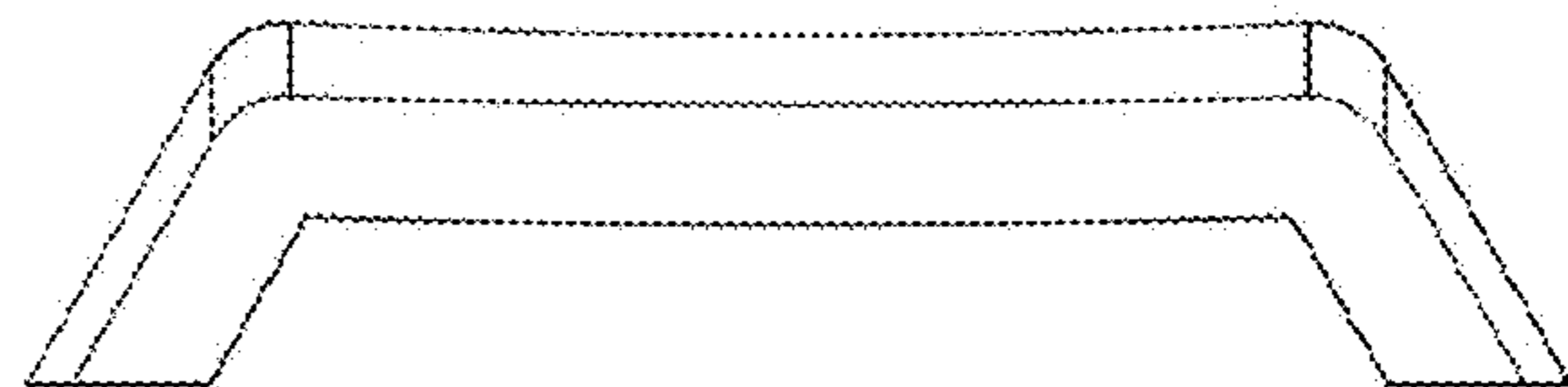
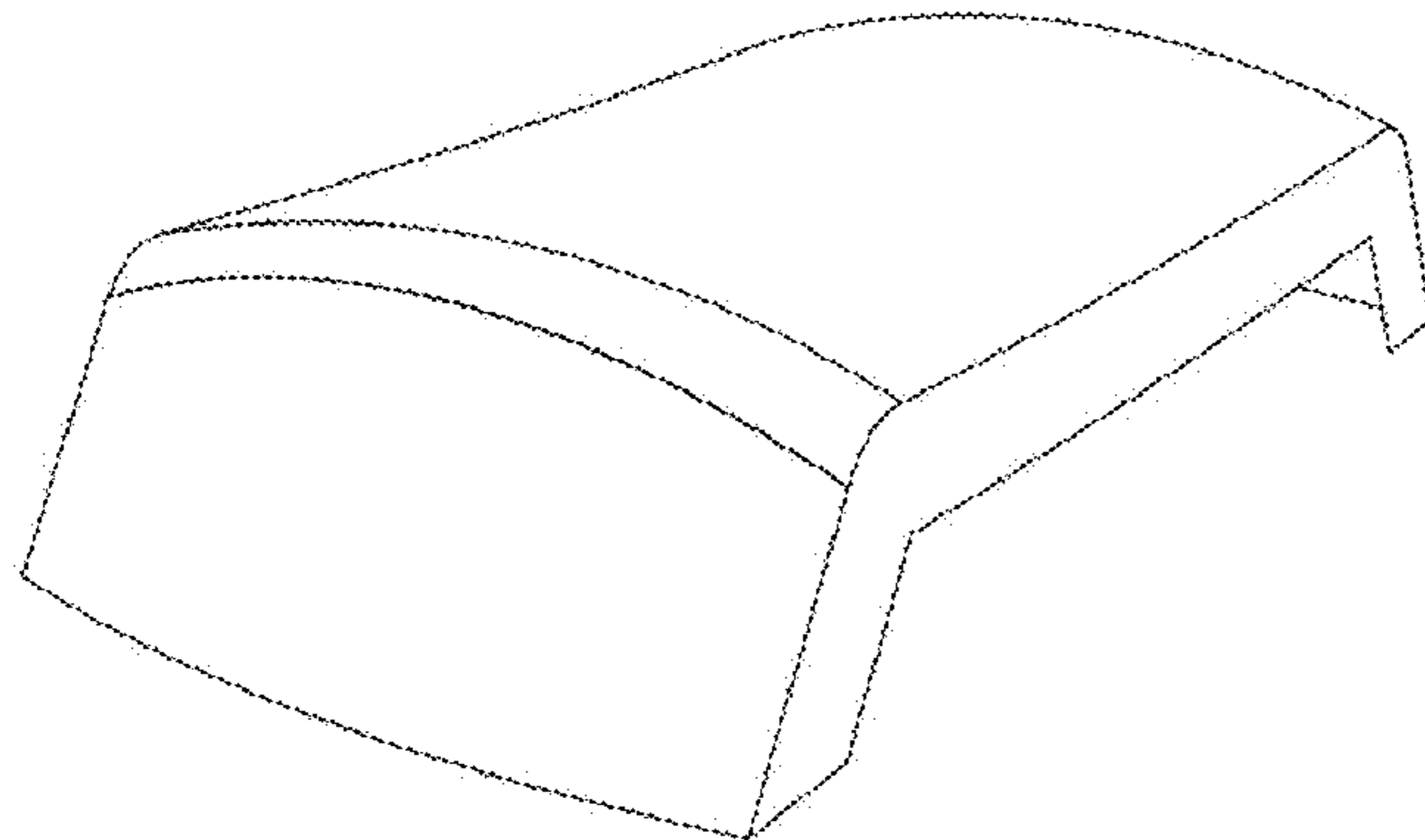
(57) **CLAIM**

The ornamental design for parts of modular pump track, as shown and described.

**DESCRIPTION**

- 1. Part of modular pump track
- 2. Part of modular pump track
- 1.1 : Perspective
- 1.2 : Front
- 1.3 : Left
- 1.4 : Top
- 1.5 : Bottom
- 2.1 : Perspective
- 2.2 : Front
- 2.3 : Left
- 2.4 : Right
- 2.5 : Top
- 2.6 : Bottom

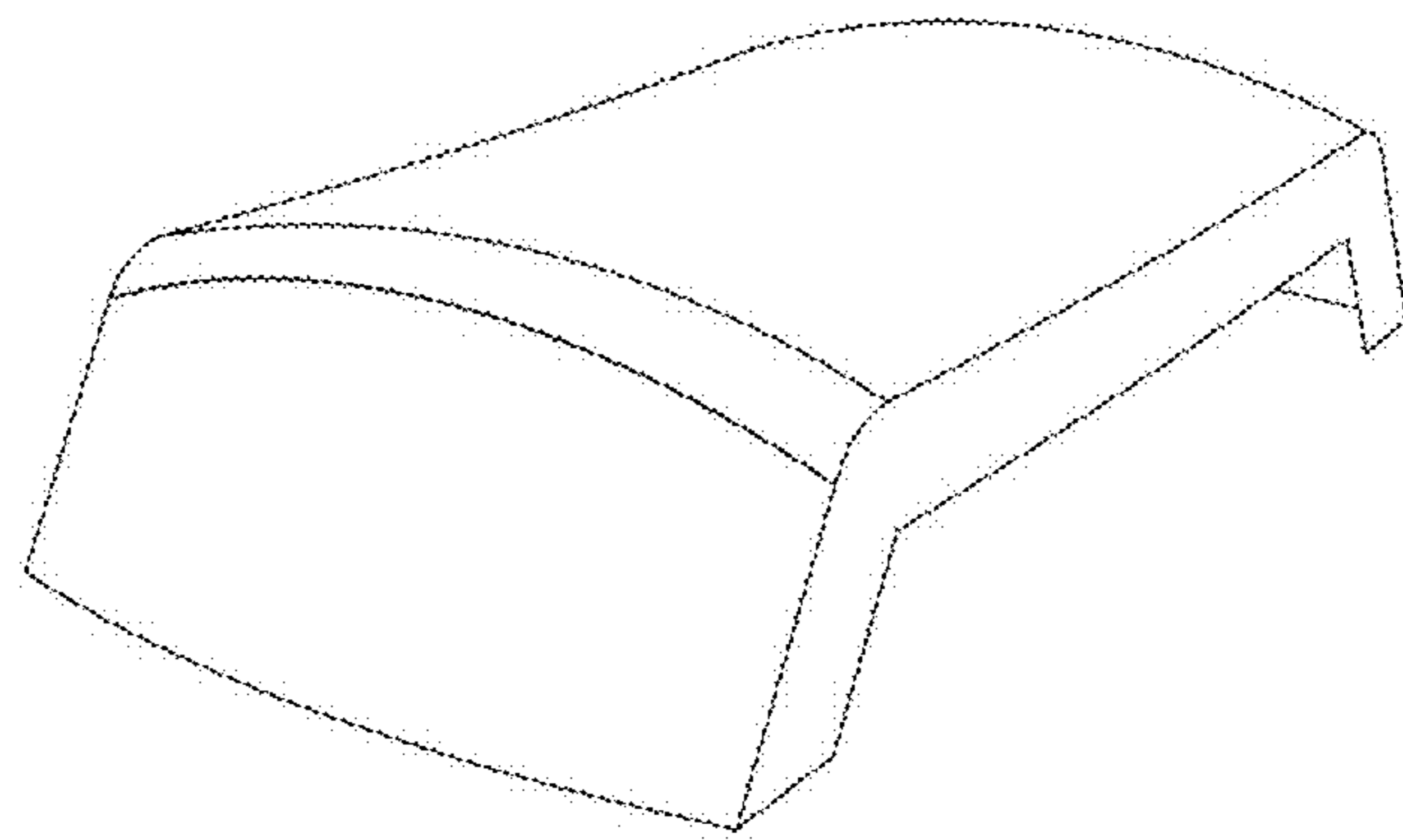
(Continued)



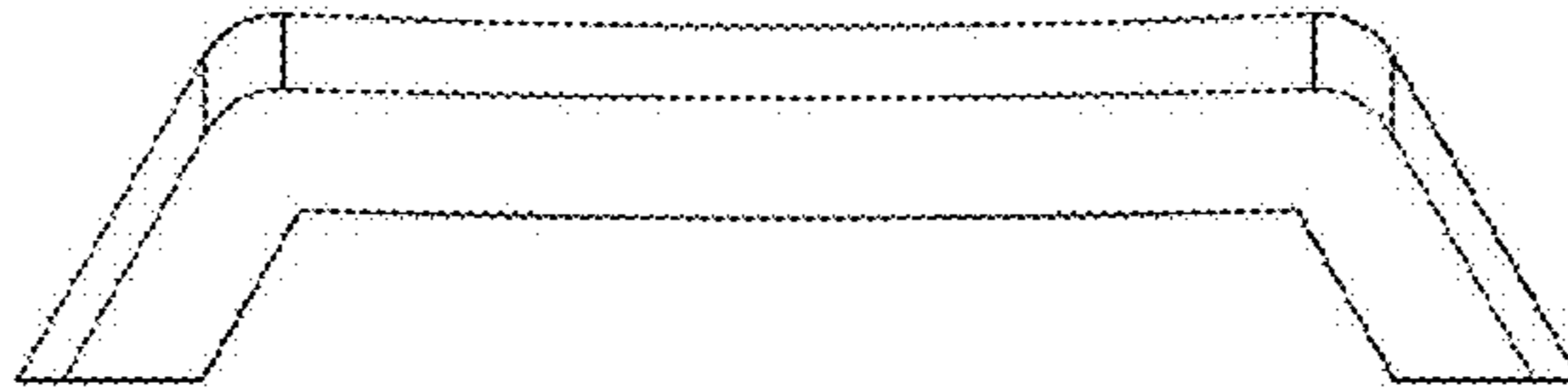
Design 1: a back view and a right side view are omitted because they are the same as the front and left side views, respectively.

**1 Claim, 11 Drawing Sheets**

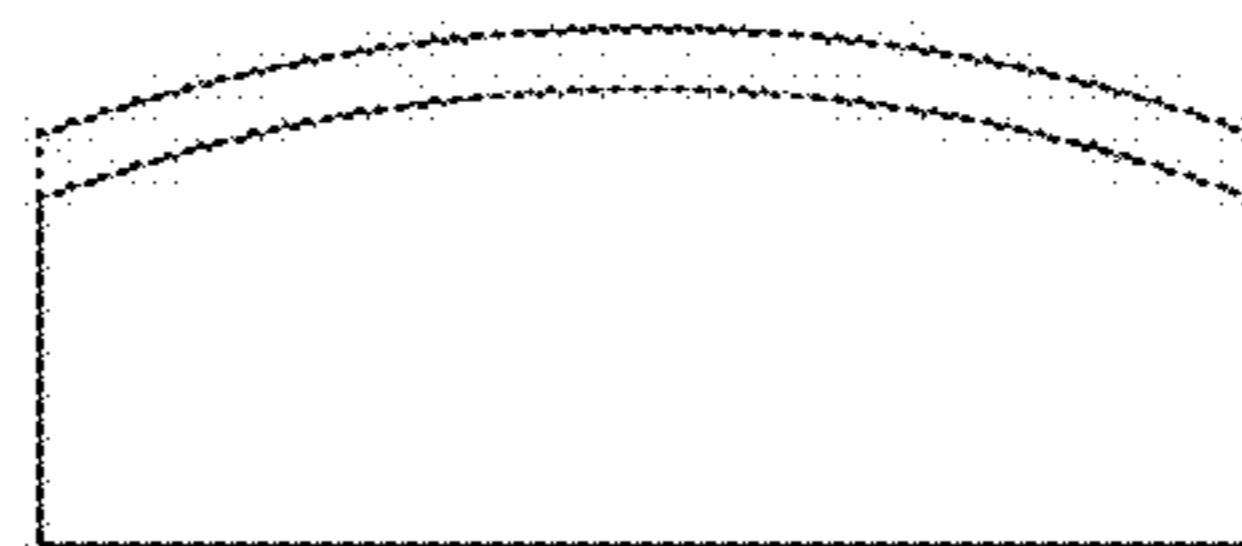
1.1



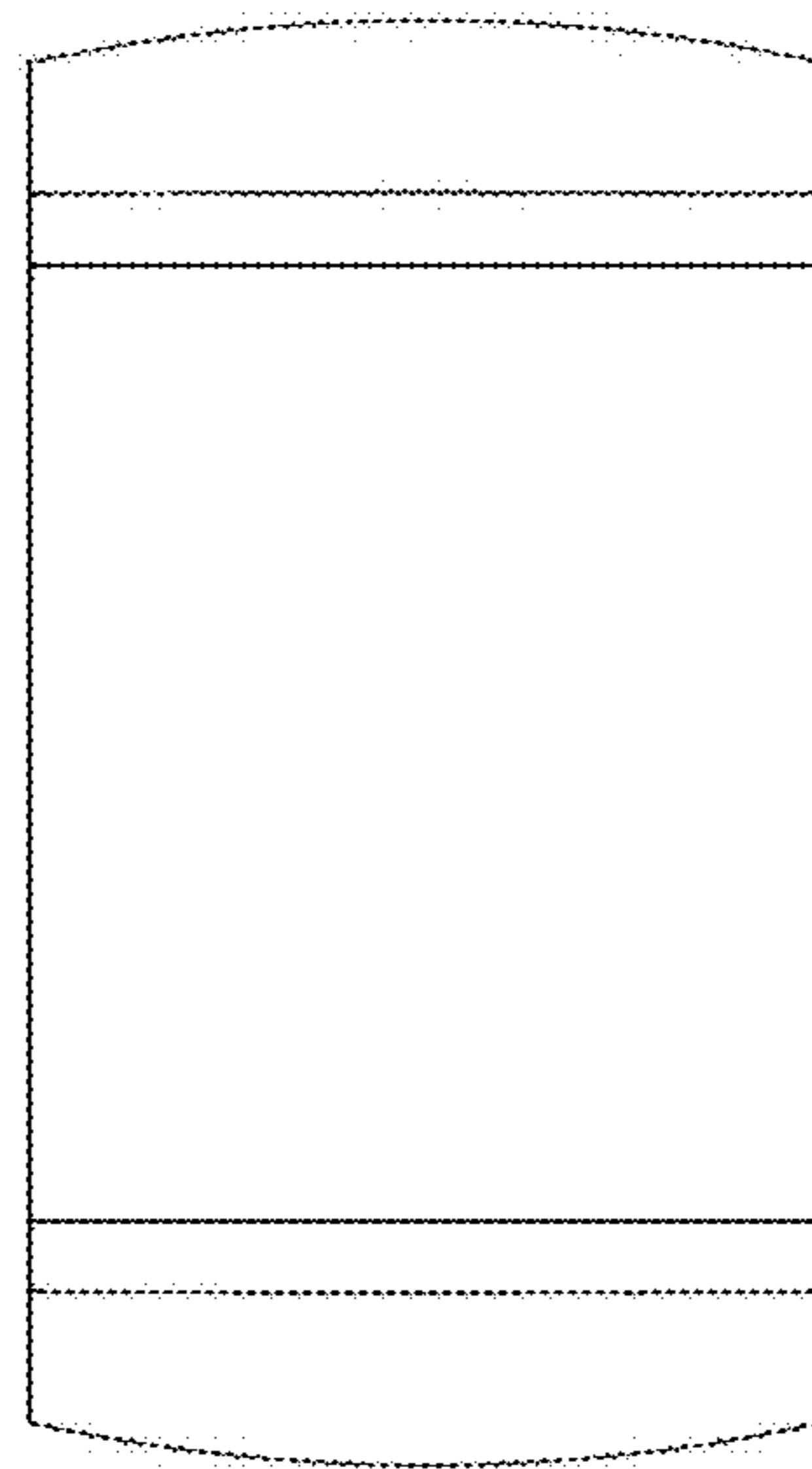
1.2



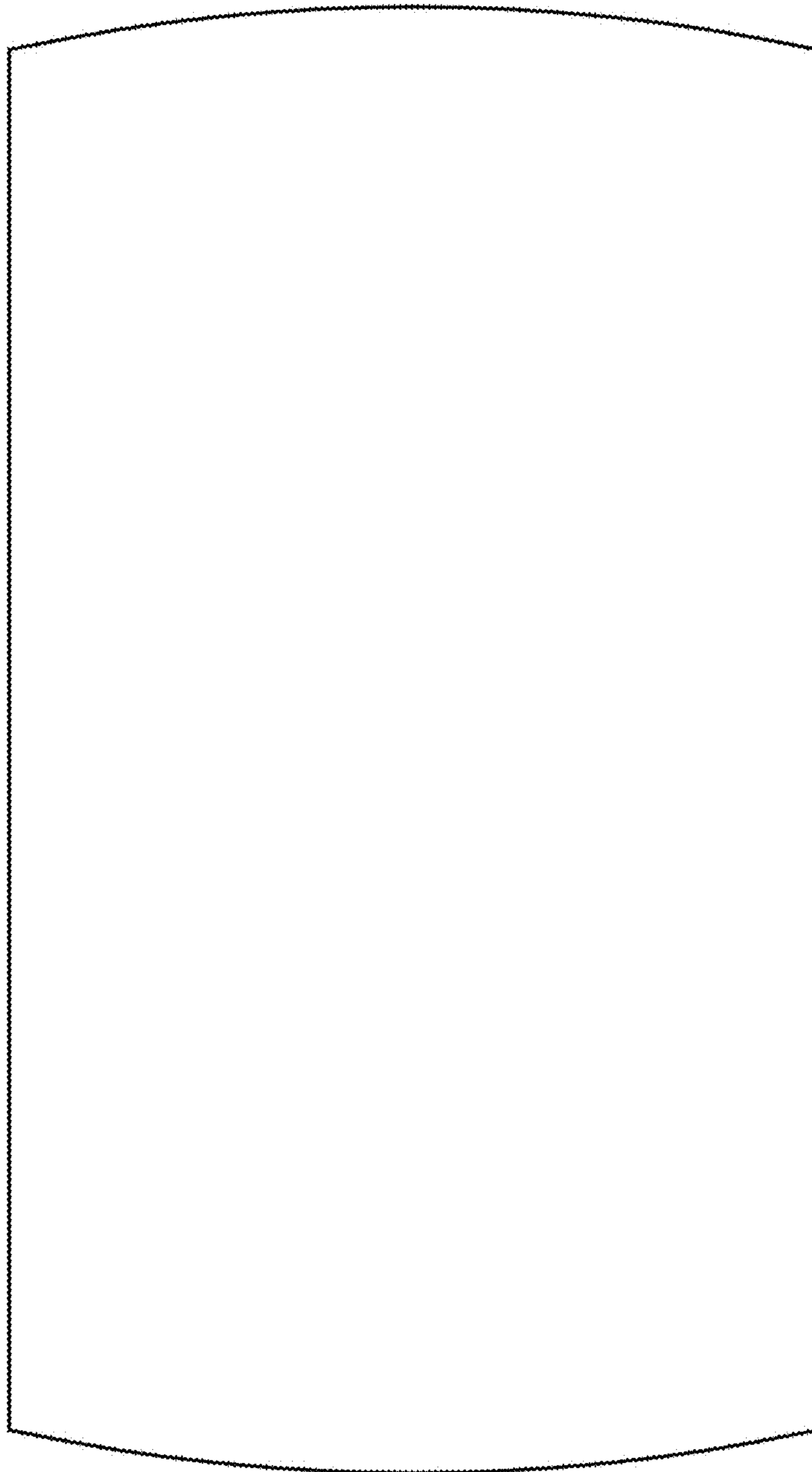
1.3



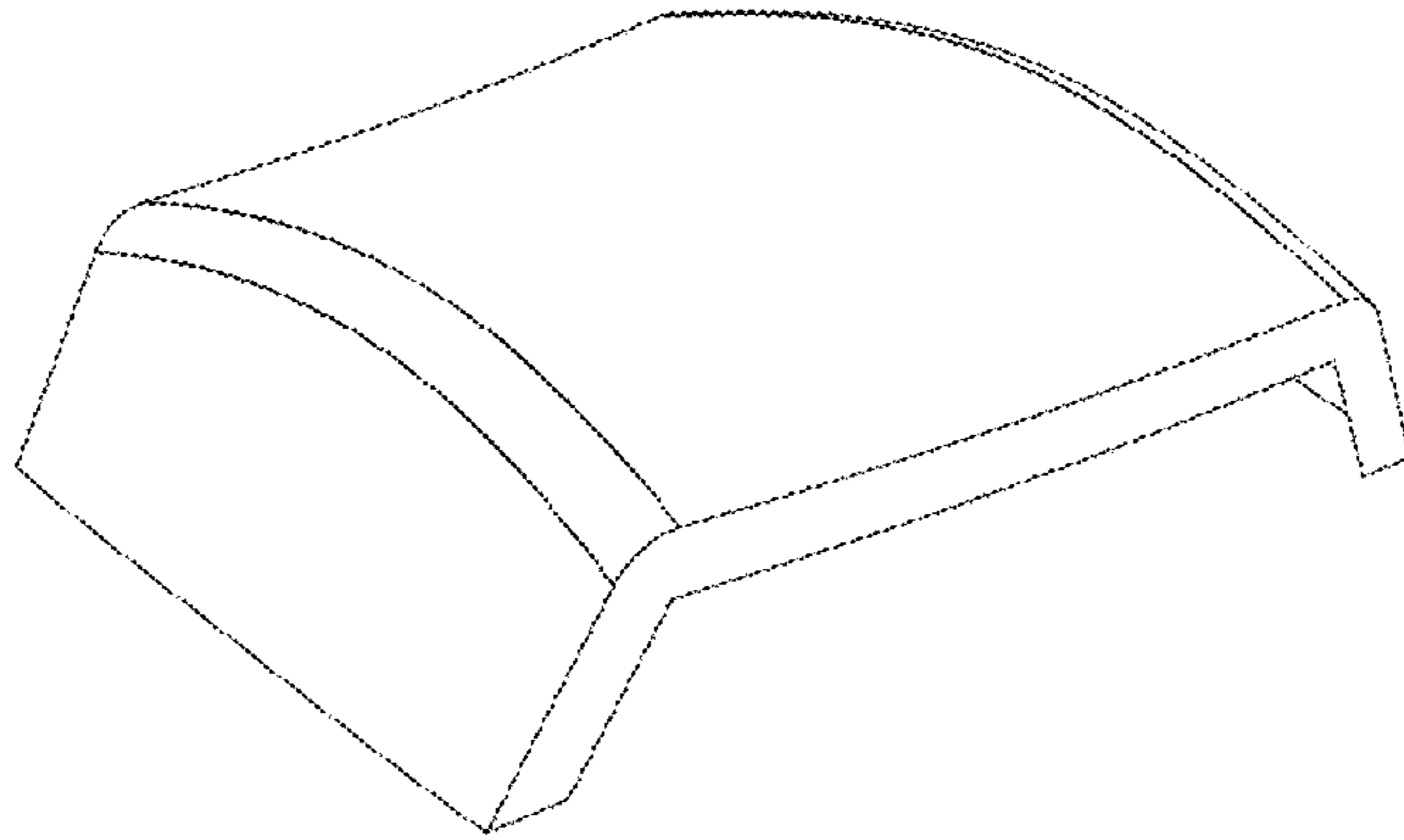
1.4



1.5

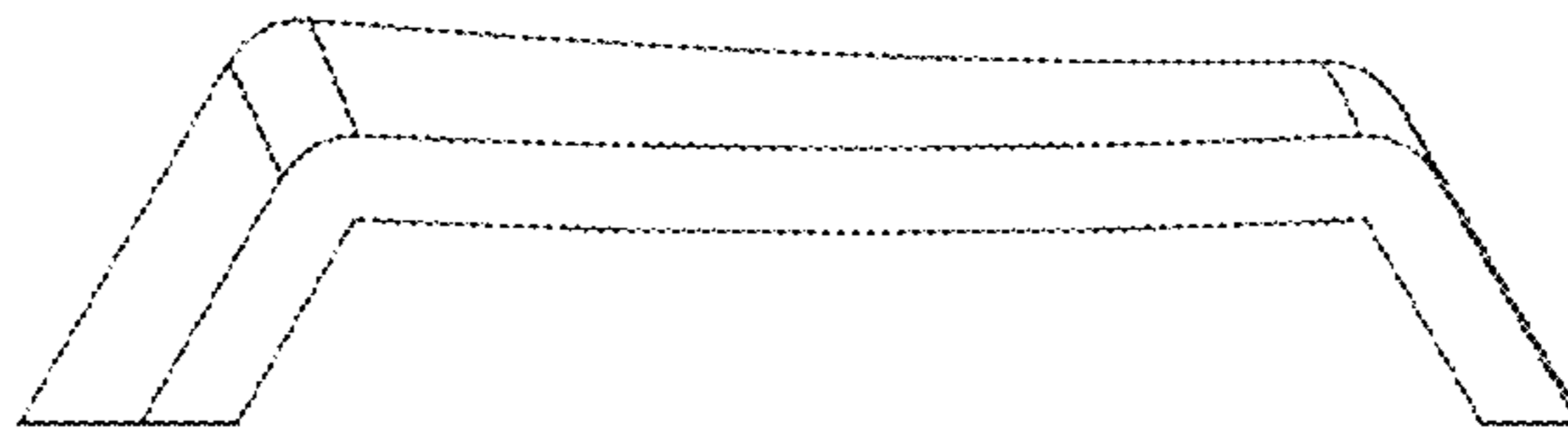


2.1

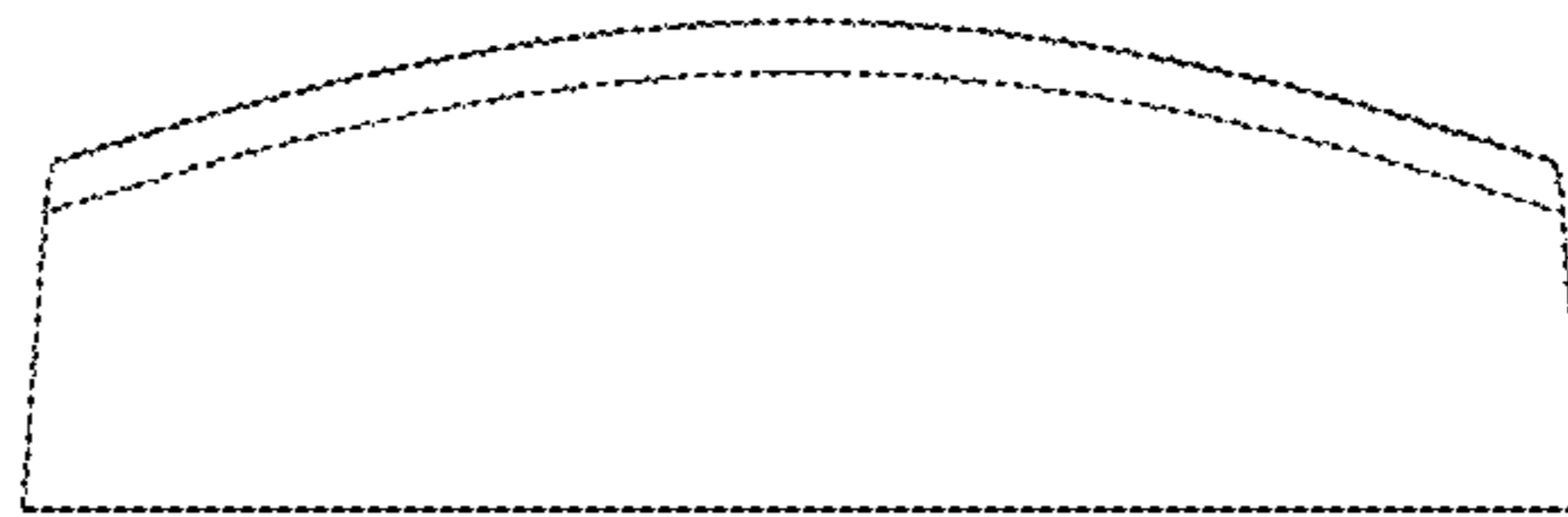




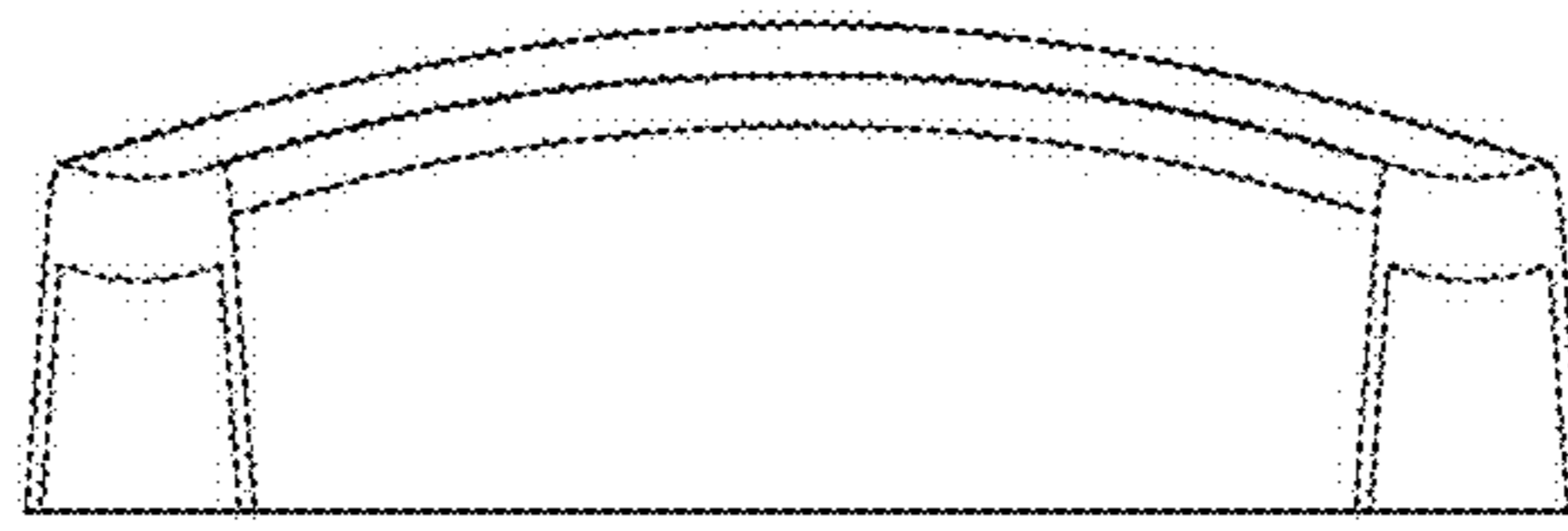
2.2



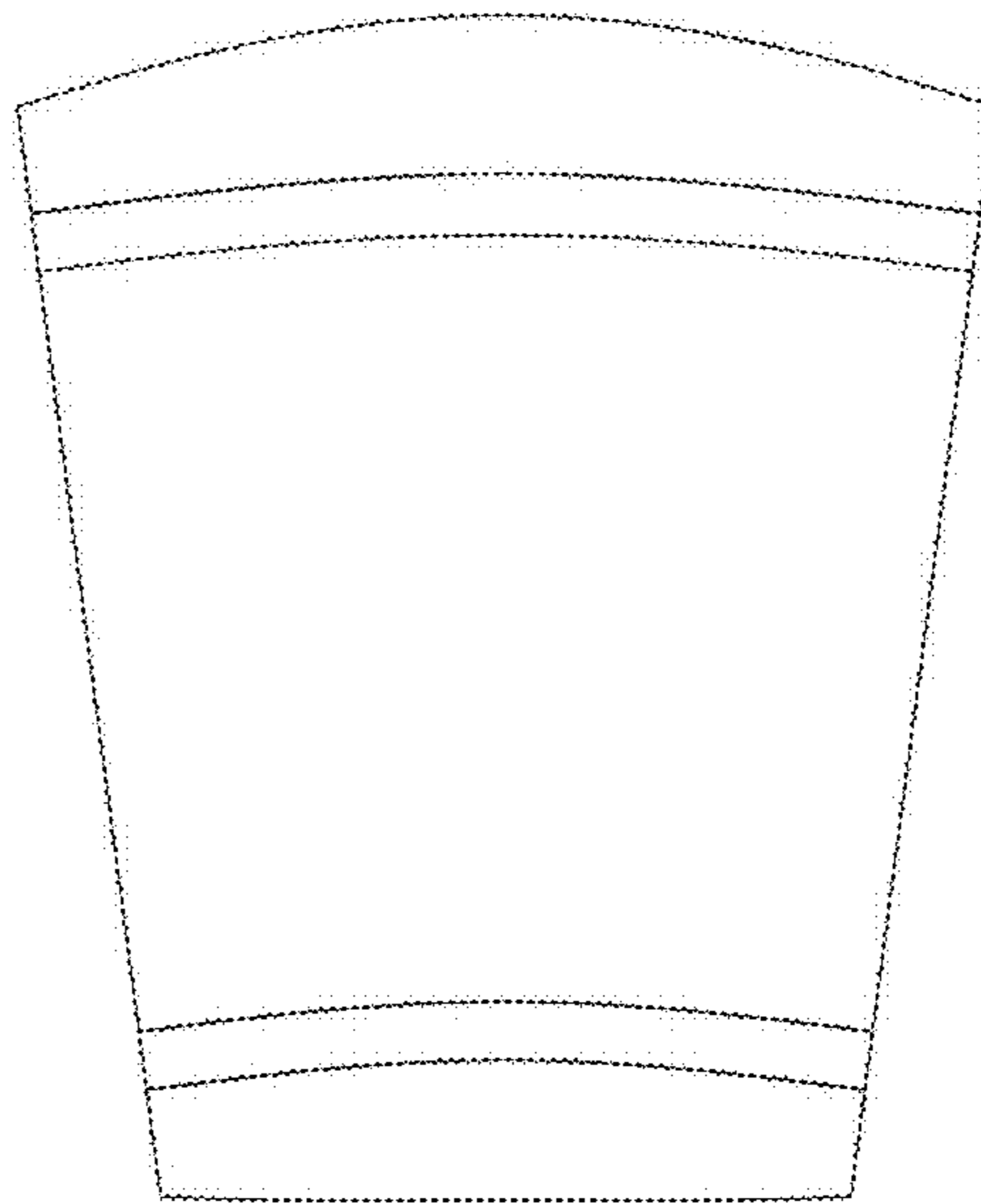
2.3



2.4



2.5



2.6

