



US00D976354S

(12) **United States Design Patent**  
**Stengel**

(10) **Patent No.:** **US D976,354 S**  
(45) **Date of Patent:** **\*\* Jan. 24, 2023**

(54) **ROLLER COASTER TRACK SECTION**

(71) Applicant: **Ingenieurbuero Stengel GmbH**,  
Munich (DE)

(72) Inventor: **Werner Stengel**, Munich (DE)

(73) Assignee: **INGENIEURBUERO STENGEL**  
**GIMBH**, Munich (DE)

(\*\*) Term: **15 Years**

(21) Appl. No.: **29/750,446**

(22) Filed: **Sep. 14, 2020**

(30) **Foreign Application Priority Data**

Mar. 13, 2020 (EM) ..... 007751201-0002  
Mar. 13, 2020 (EM) ..... 007751201-0004  
Mar. 13, 2020 (EM) ..... 007751201-0006  
Mar. 13, 2020 (EM) ..... 007751201-0019  
Mar. 13, 2020 (EM) ..... 007751201-0020

(51) **LOC (14) Cl.** ..... **21-03**

(52) **U.S. Cl.**  
USPC ..... **D21/814**

(58) **Field of Classification Search**  
USPC ..... D21/811, 814, 828-833  
CPC ..... A63G 7/00; A63G 21/00-22; B61B  
13/00-127; E01B 25/00-34  
See application file for complete search history.

(56) **References Cited**

**U.S. PATENT DOCUMENTS**

3,889,605 A \* 6/1975 Bacon ..... A63G 7/00  
104/246  
3,949,680 A \* 4/1976 Doughty ..... A63G 21/04  
104/69  
4,489,659 A \* 12/1984 Kamohara ..... E01B 25/24  
403/205  
5,463,962 A \* 11/1995 Gnezdilov ..... A63G 7/00  
104/53

5,566,620 A \* 10/1996 Siewert ..... E01B 25/00  
104/138.1  
5,595,121 A \* 1/1997 Elliott ..... A63G 7/00  
104/53  
6,047,645 A \* 4/2000 Cornwell ..... B61B 13/04  
104/55  
7,594,473 B2 \* 9/2009 Kitchen ..... A63G 7/00  
104/53  
D670,781 S \* 11/2012 Kitchen ..... D21/830  
D671,609 S \* 11/2012 Kitchen ..... D21/830  
8,375,863 B2 \* 2/2013 Roodenburg ..... A63G 7/00  
104/53  
D678,450 S \* 3/2013 Kitchen ..... D21/830

(Continued)

**OTHER PUBLICATIONS**

<http://www.Formfonts.com>; 3D roller coaster models; May 13, 2022.\*

(Continued)

*Primary Examiner* — Mitchell I. Siegel  
(74) *Attorney, Agent, or Firm* — Muncy, Geissler, Olds & Lowe, P.C.

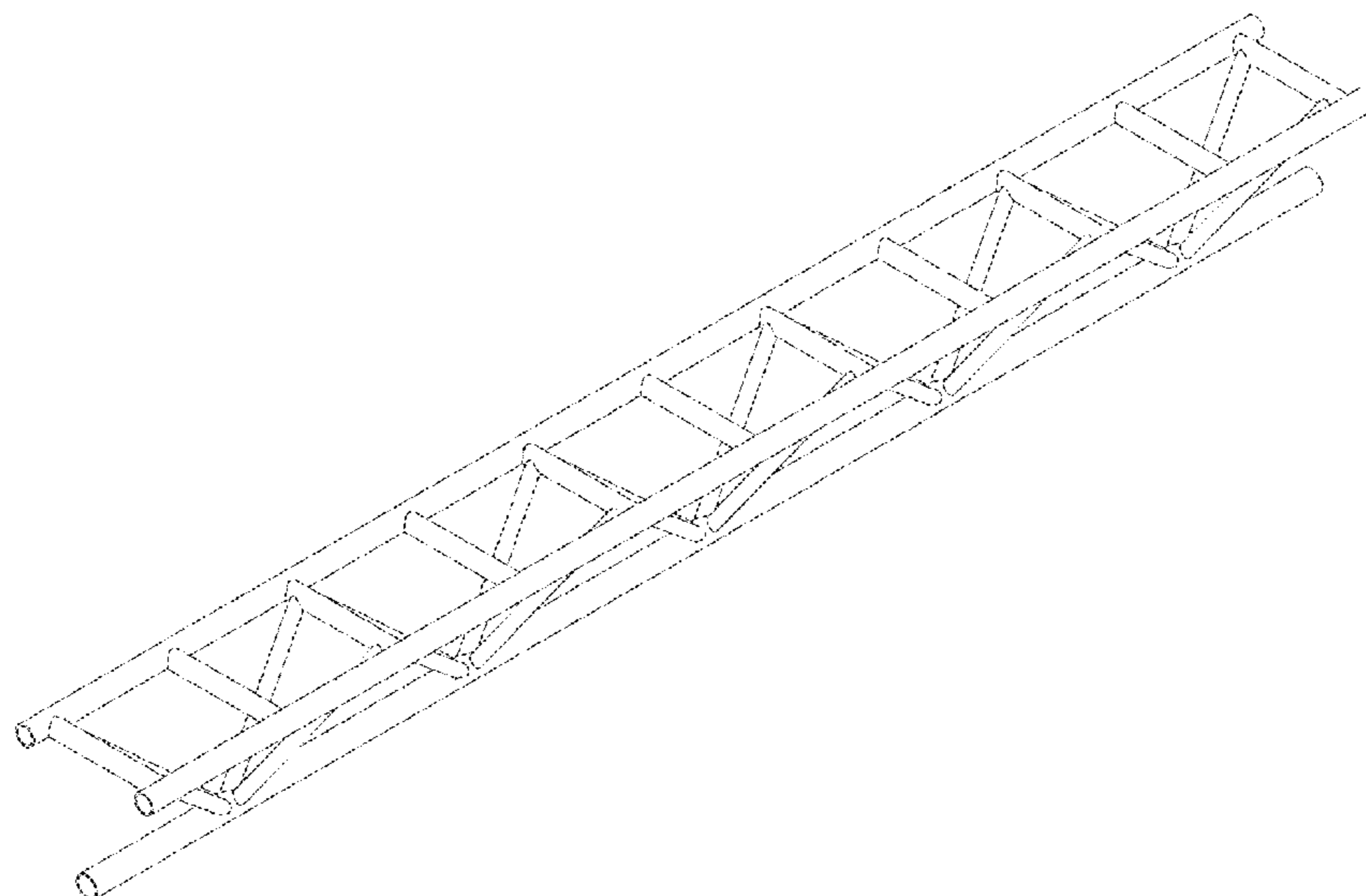
(57) **CLAIM**

The ornamental design for a roller coaster track section, as shown and described.

**DESCRIPTION**

FIG. 1 is a perspective view of a first embodiment of a roller coaster track section, showing my new design;  
FIG. 2 is a top plan view thereof;  
FIG. 3 is a front elevational view thereof, the rear elevational view being a mirror image thereof;  
FIG. 4 is a perspective view of a second embodiment of a roller coaster track section, showing my new design;  
FIG. 5 is a top plan view thereof; and,  
FIG. 6 is a front elevational view thereof, the rear elevational view being a mirror image thereof.

**1 Claim, 6 Drawing Sheets**



(56)

**References Cited**

U.S. PATENT DOCUMENTS

D678,975	S *	3/2013	Kitchen	.....	D21/830
8,490,549	B2 *	7/2013	Kitchen	.....	A63G 21/04
					104/53
D687,914	S *	8/2013	Kitchen	.....	D21/830
D726,835	S *	4/2015	Edwards	.....	D21/565
9,016,210	B2 *	4/2015	Kitchen	.....	A63G 7/00
					104/53
D776,774	S *	1/2017	Galimard	.....	D21/814
10,058,788	B2 *	8/2018	Burger	.....	A63G 7/00
D845,420	S *	4/2019	Stelzl	.....	D21/828
10,315,120	B2 *	6/2019	McVeen	.....	A63G 21/12
10,391,410	B2 *	8/2019	Kitchen	.....	A63G 7/00
11,020,676	B2 *	6/2021	Stelzl	.....	A63G 21/14
2003/0101896	A1 *	6/2003	Cummins	.....	B61B 13/122
					104/156
2003/0172834	A1 *	9/2003	De-Gol	.....	A63G 21/08
					104/53
2004/0083922	A1 *	5/2004	Gnezdilov	.....	E01B 25/10
					104/124
2011/0196561	A1 *	8/2011	Jorgensen	.....	B61B 13/00
					191/49
2016/0250560	A1 *	9/2016	Burger	.....	A63G 7/00
					104/53
2016/0257316	A1 *	9/2016	Rupp	.....	F16D 63/008
2019/0030445	A1 *	1/2019	Luo	.....	A63H 33/062

OTHER PUBLICATIONS

<http://www.grabcad.com>; Vekoma Style Roller Coaster Track Section; Sep. 29, 2011.\*

Roller coaster track google search; google.com; May 13, 2022.\*

\* cited by examiner

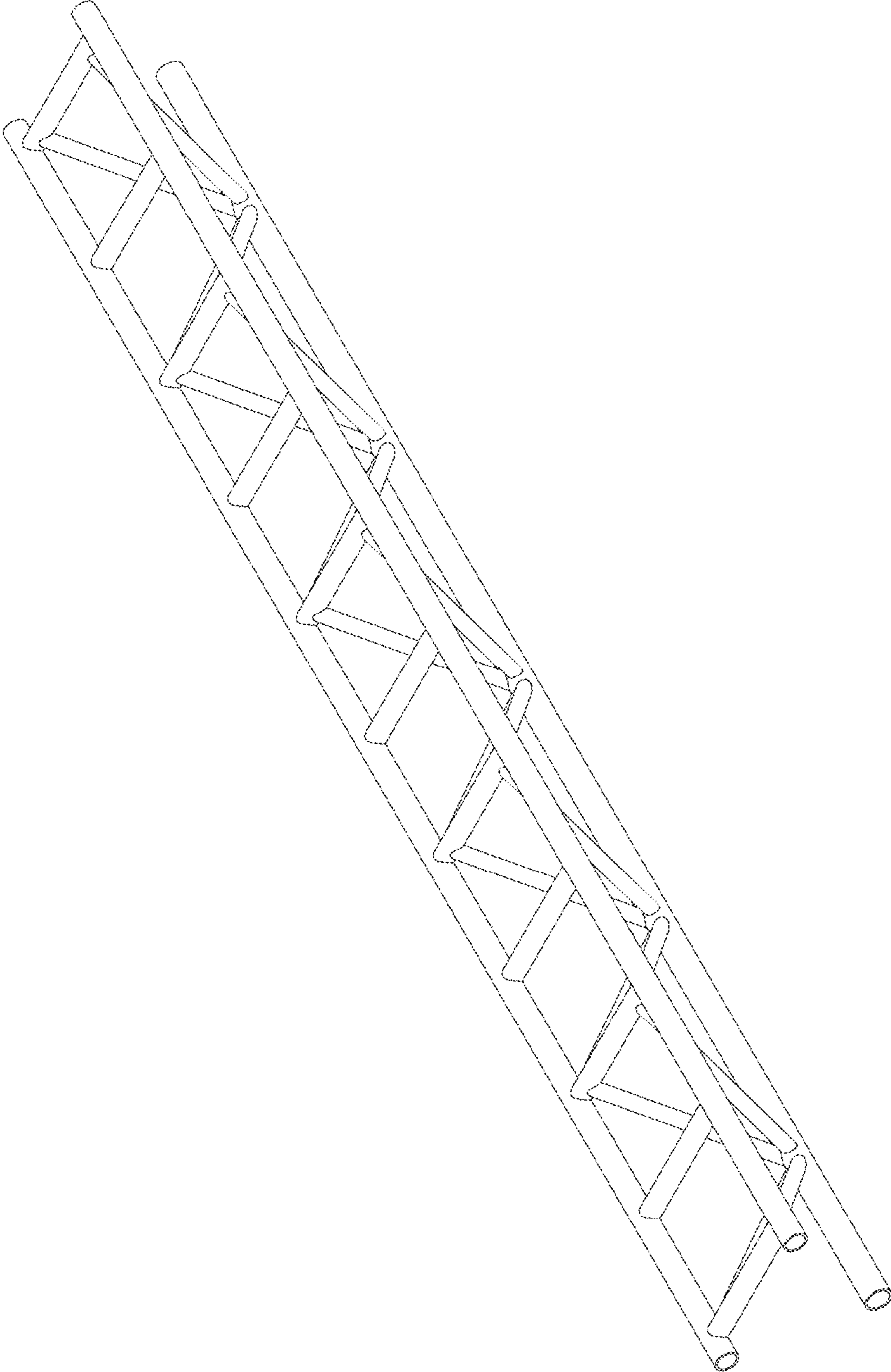


FIG. 1

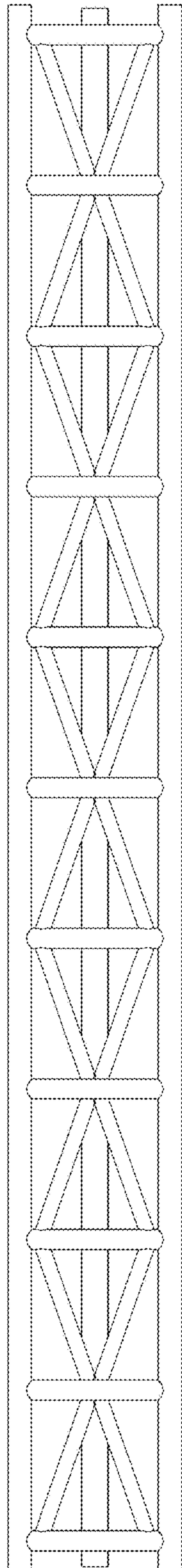


FIG. 2

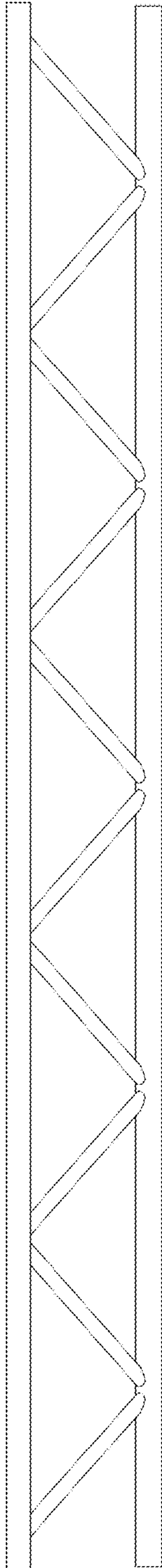


FIG. 3

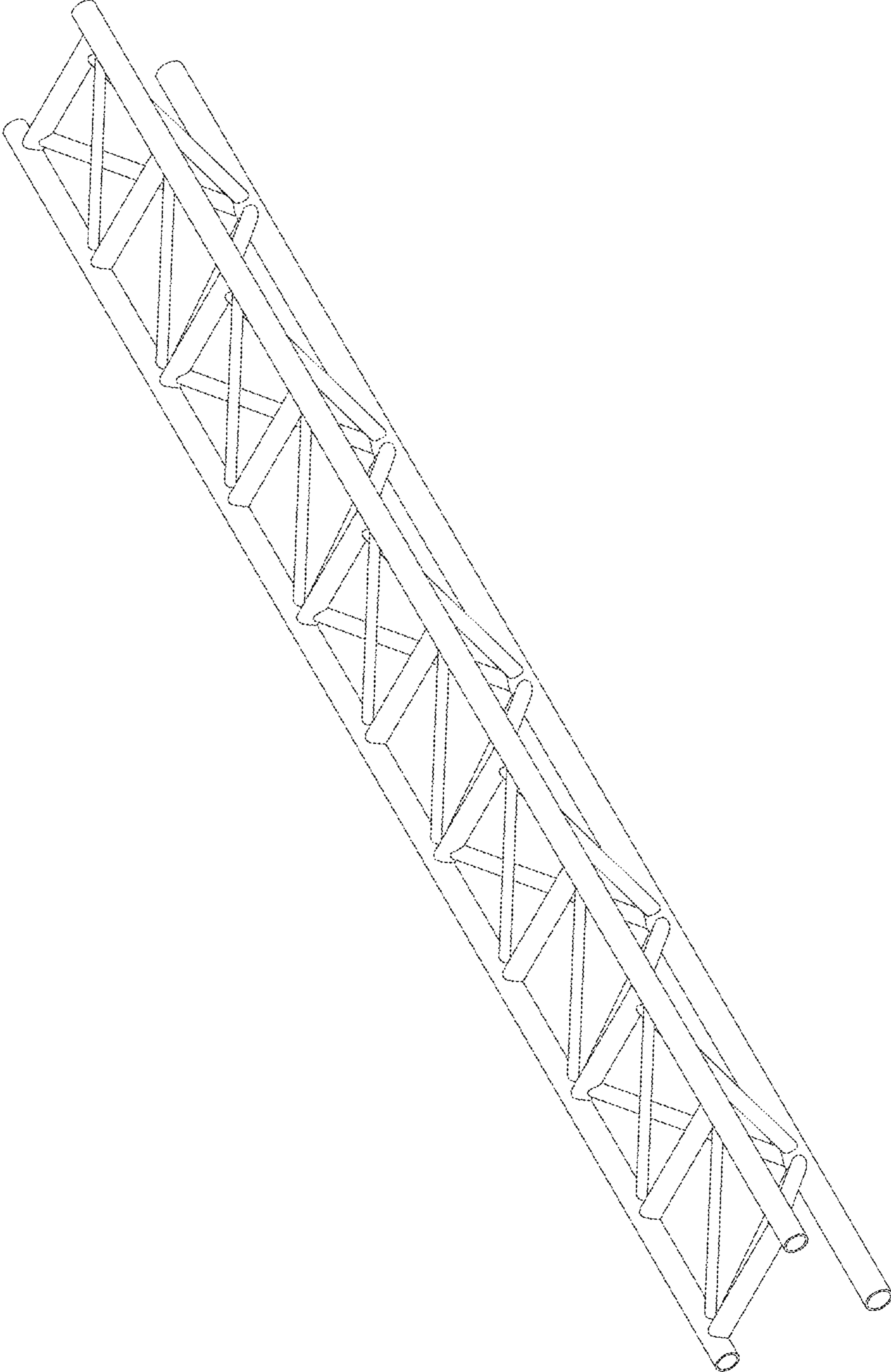


FIG. 4

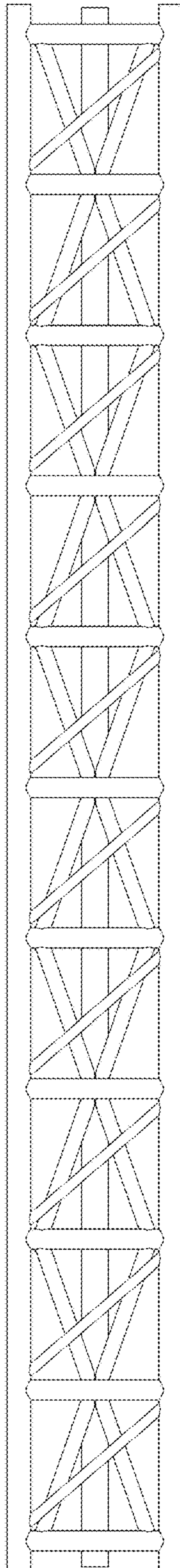


FIG. 5

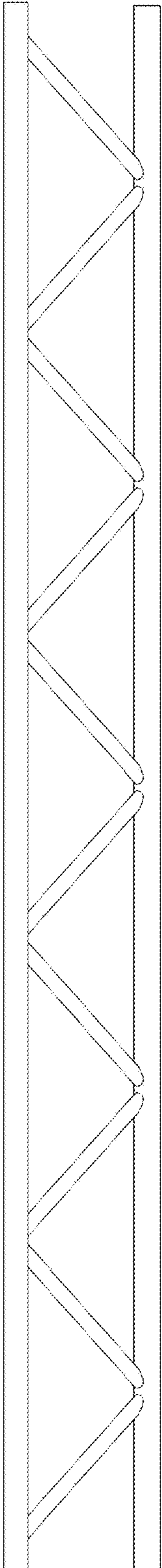


FIG. 6