



US00D976352S

(12) **United States Design Patent** (10) **Patent No.:** **US D976,352 S**
Crow (45) **Date of Patent:** **** Jan. 24, 2023**

(54) **MARTIAL ARTS TRAINING DEVICE**
(71) Applicant: **Raymond Crow**, Royse City, TX (US)
(72) Inventor: **Raymond Crow**, Royse City, TX (US)
(**) Term: **15 Years**

2015/0182833 A1* 7/2015 Hu A63B 69/224
2017/0136330 A1* 5/2017 Stevens A63B 69/004
2017/0232320 A1* 8/2017 Lewis A63B 69/224
2018/0093154 A1* 4/2018 Kim A63B 69/34
2019/0134481 A1* 5/2019 Orr A63B 71/023
2022/0016509 A1* 1/2022 Fazio A63B 69/004
(Continued)

(21) Appl. No.: **29/746,035**
(22) Filed: **Aug. 11, 2020**
(51) **LOC (14) Cl.** **21-02**
(52) **U.S. Cl.**
USPC **D21/798**
(58) **Field of Classification Search**
USPC D21/687, 686, 669, 673, 679, 690, 691,
D21/692, 694, 676, 674, 670, 663, 662,
D21/423, 695, 682, 677, 688, 683, 684;
D20/21, 32; D29/116.1; D30/160
CPC . A63B 69/20; A63B 2061/026; A63B 69/004;
A63B 69/201
See application file for complete search history.

OTHER PUBLICATIONS

“The Sparring Arm” Sep. 20, 2020, Amazon, site visited Nov. 17, 2022: <https://www.youtube.com/watch?v=aark-My1LkM> (Year: 2020).*
(Continued)

Primary Examiner — Jack Reickel
Assistant Examiner — Salamah Jordan
(74) *Attorney, Agent, or Firm* — Yee & Associates, P.C.

(57) **CLAIM**

The ornamental design for a martial arts training device, as shown and described.

DESCRIPTION

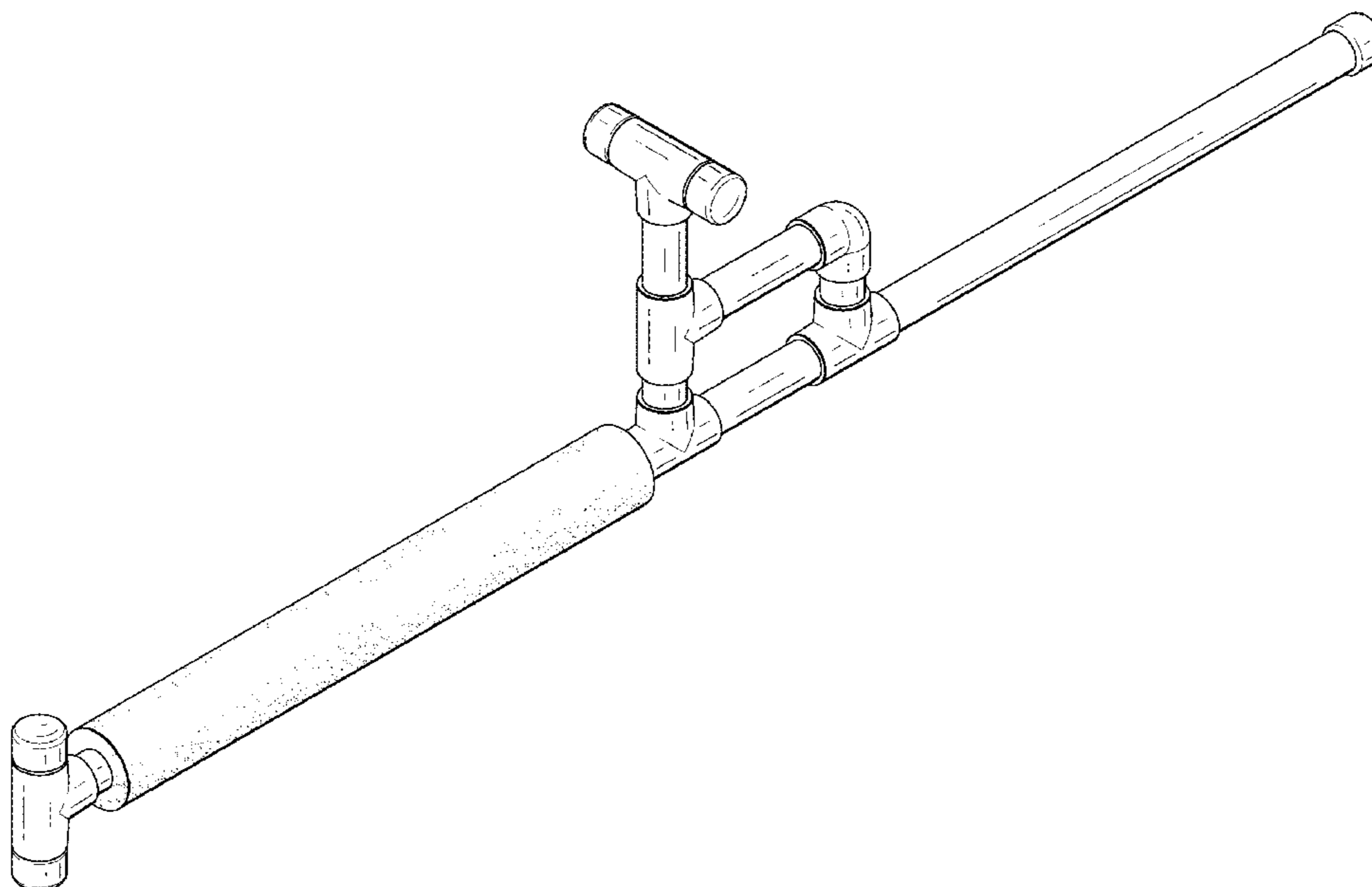
(56) **References Cited**

U.S. PATENT DOCUMENTS

D277,596 S *	2/1985	Nishiuchi	D22/117
D320,428 S *	10/1991	Rust	D21/679
D356,127 S *	3/1995	Mara	D21/798
D437,908 S *	2/2001	Hsiung	D21/798
D641,811 S *	7/2011	Brenner	D21/798
D641,812 S *	7/2011	Brenner	D21/798
9,504,893 B2 *	11/2016	Nelson	A63B 69/205
9,566,491 B1 *	2/2017	English	A63B 71/0622
D816,788 S *	5/2018	Chen	D21/787
D853,505 S *	7/2019	Toueg	D21/679
D934,355 S *	10/2021	Behar	D21/679
D934,356 S *	10/2021	Behar	D21/679
D937,369 S *	11/2021	Jaquish	D21/679
2006/0089239 A1 *	4/2006	Davies, III	A61H 1/02
2009/0093349 A1 *	4/2009	Cooper	A63B 21/0004
2014/0302969 A1 *	10/2014	Chen	A63B 69/34

FIG. 1 is an isometric view of the martial arts training device;
FIG. 2 is a front view of the martial arts training device;
FIG. 3 is a rear view of the martial arts training device;
FIG. 4 is a right side view of the martial arts training device;
FIG. 5 is a left side view of the martial arts training device;
FIG. 6 is a top side view of the martial arts training device;
FIG. 7 is a bottom side view of the martial arts training device; and,
FIG. 8 is an isometric environmental view of the martial arts training device.
In FIG. 8, the broken lines are for the purpose of showing additional equipment that can be attached to the device that form no part of the claimed design.

1 Claim, 5 Drawing Sheets



(56)

References Cited

U.S. PATENT DOCUMENTS

2022/0032147 A1* 2/2022 Thomas F41B 15/02
2022/0062730 A1* 3/2022 Verdialez A63B 69/34

OTHER PUBLICATIONS

“INNOLIFE Boxing Equipment 360° Spinning Bar” Jun. 25, 2021,
Amazon, site visited Nov. 17, 2022: <https://amzn.to/3EFxBd2> (Year:
2021).*

* cited by examiner

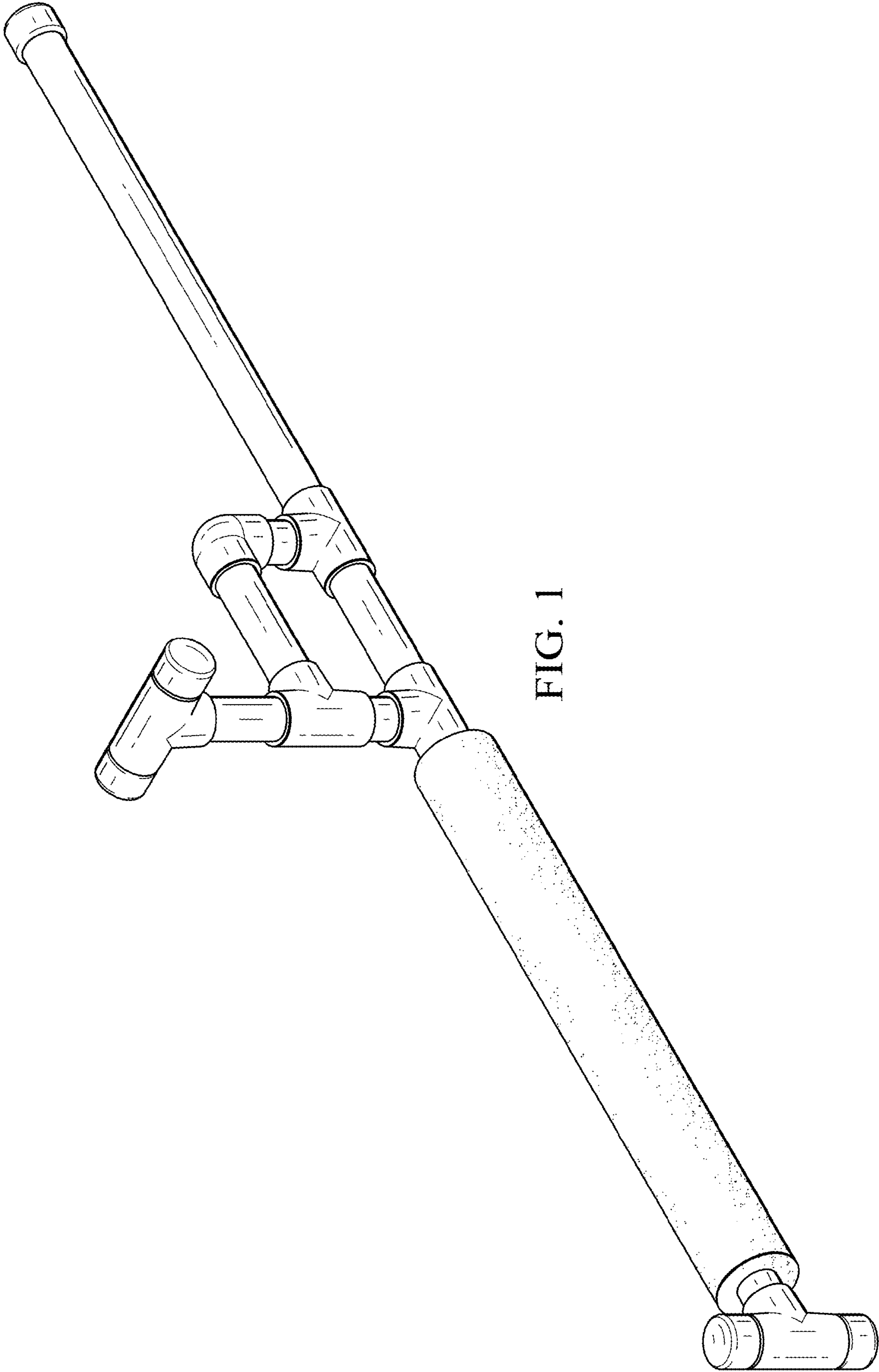


FIG. 1

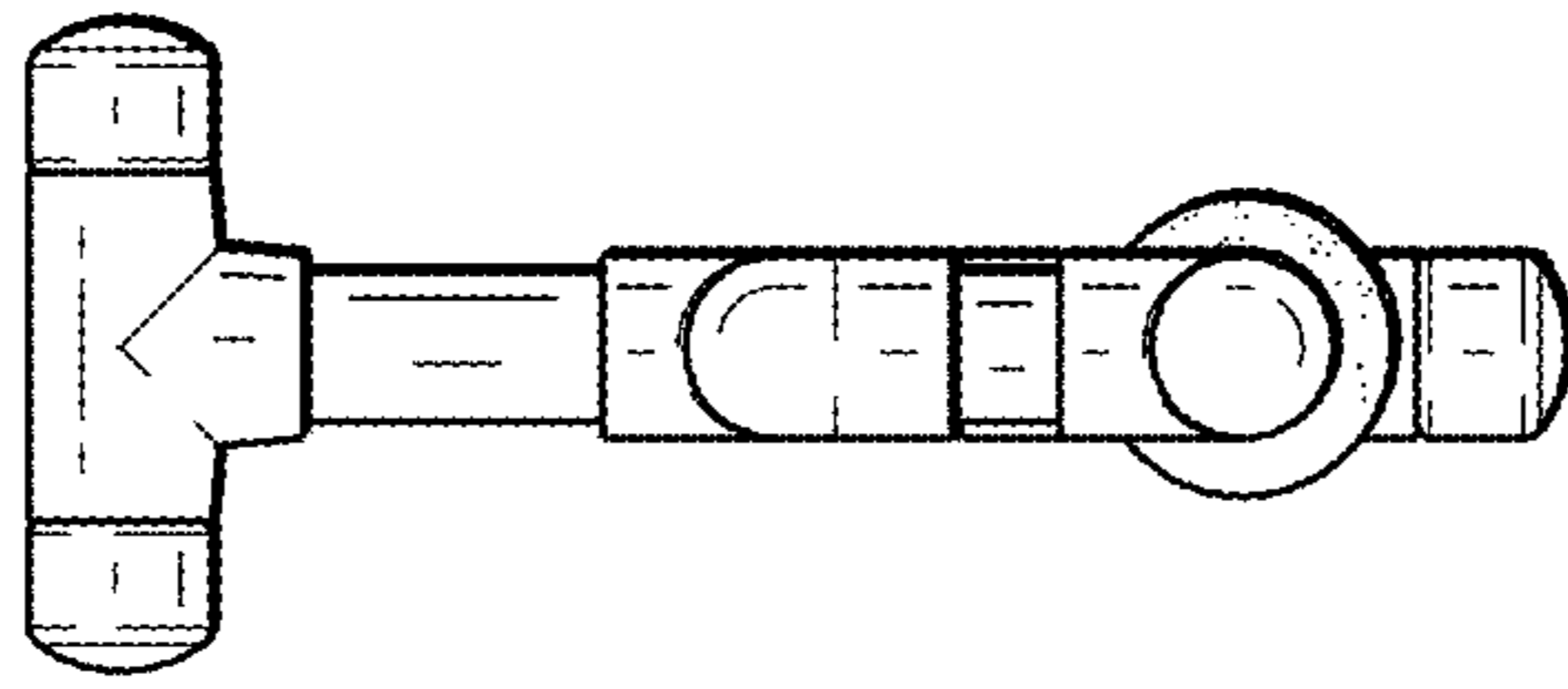


FIG. 3

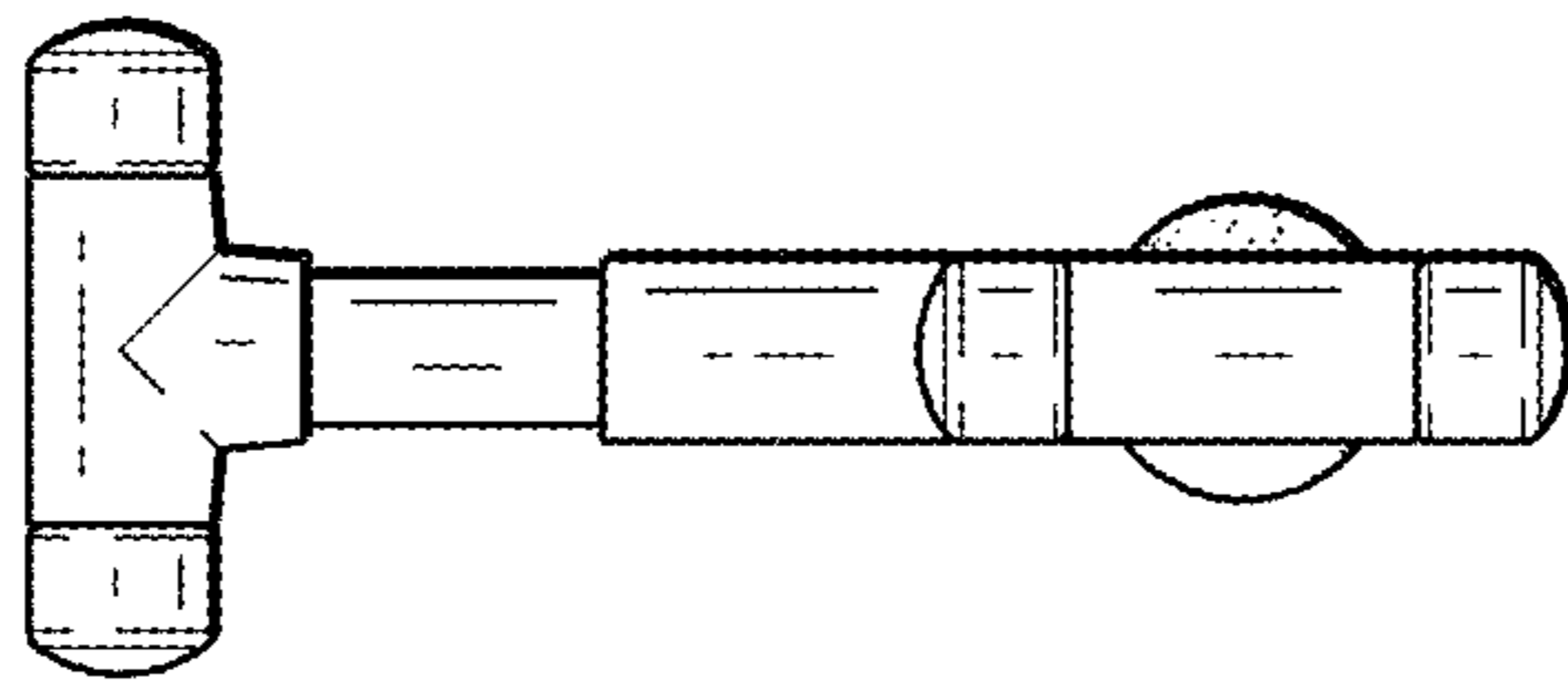
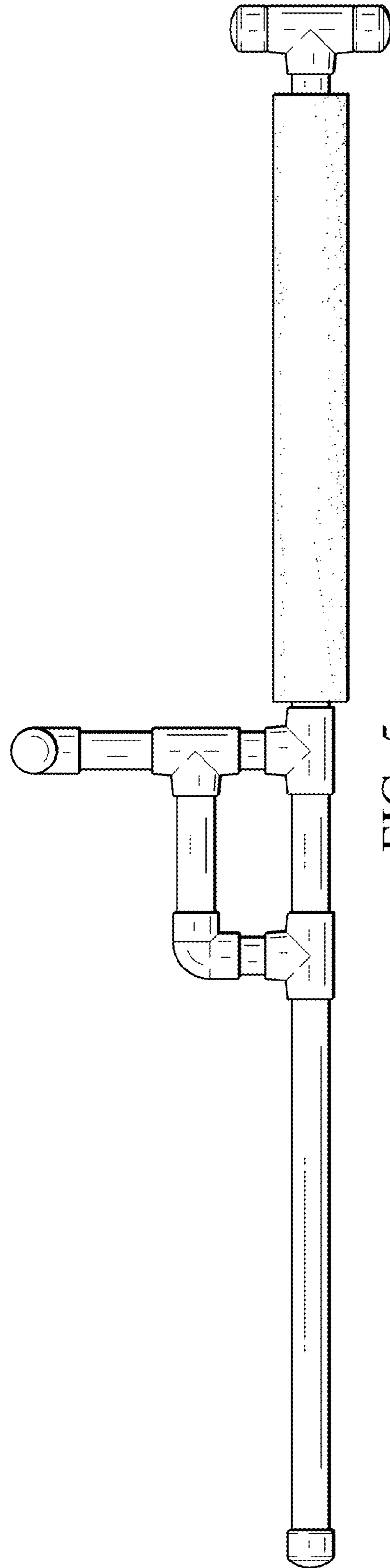
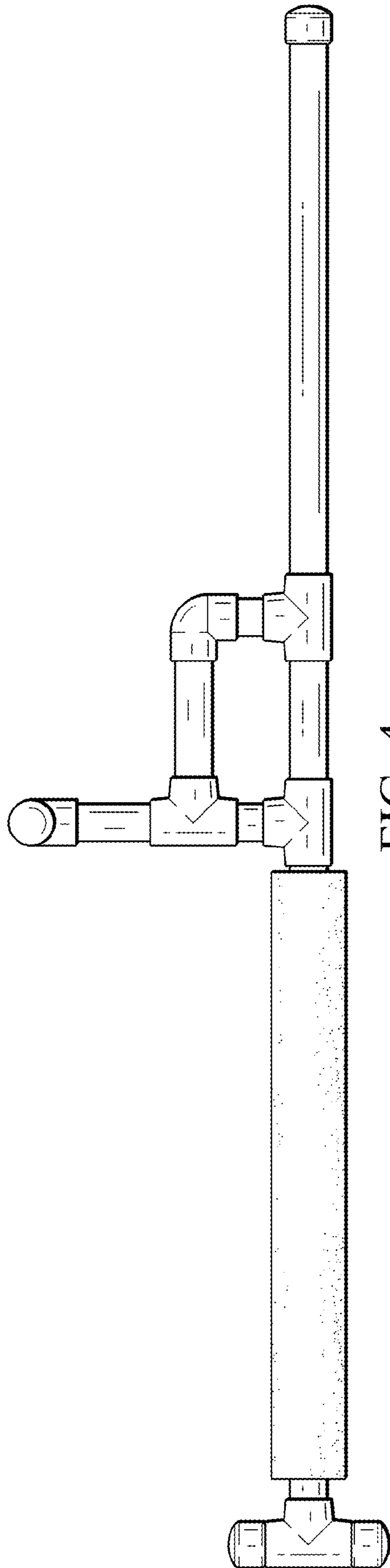


FIG. 2



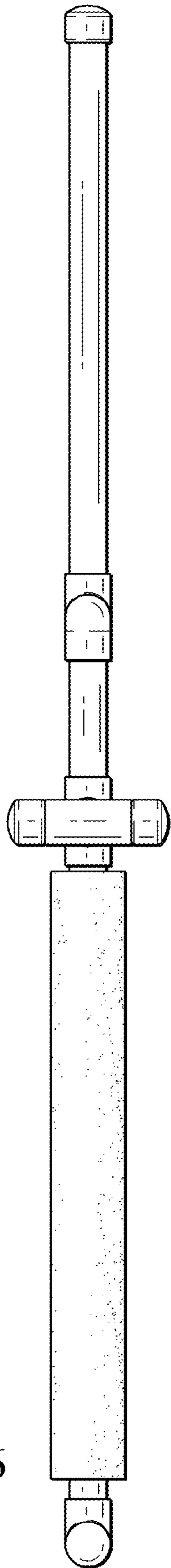


FIG. 6

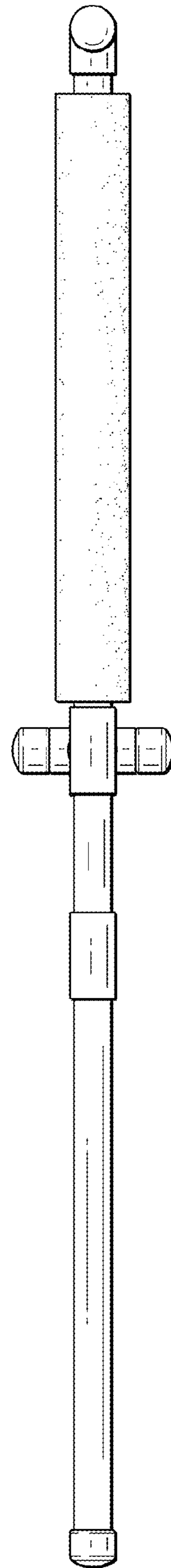


FIG. 7

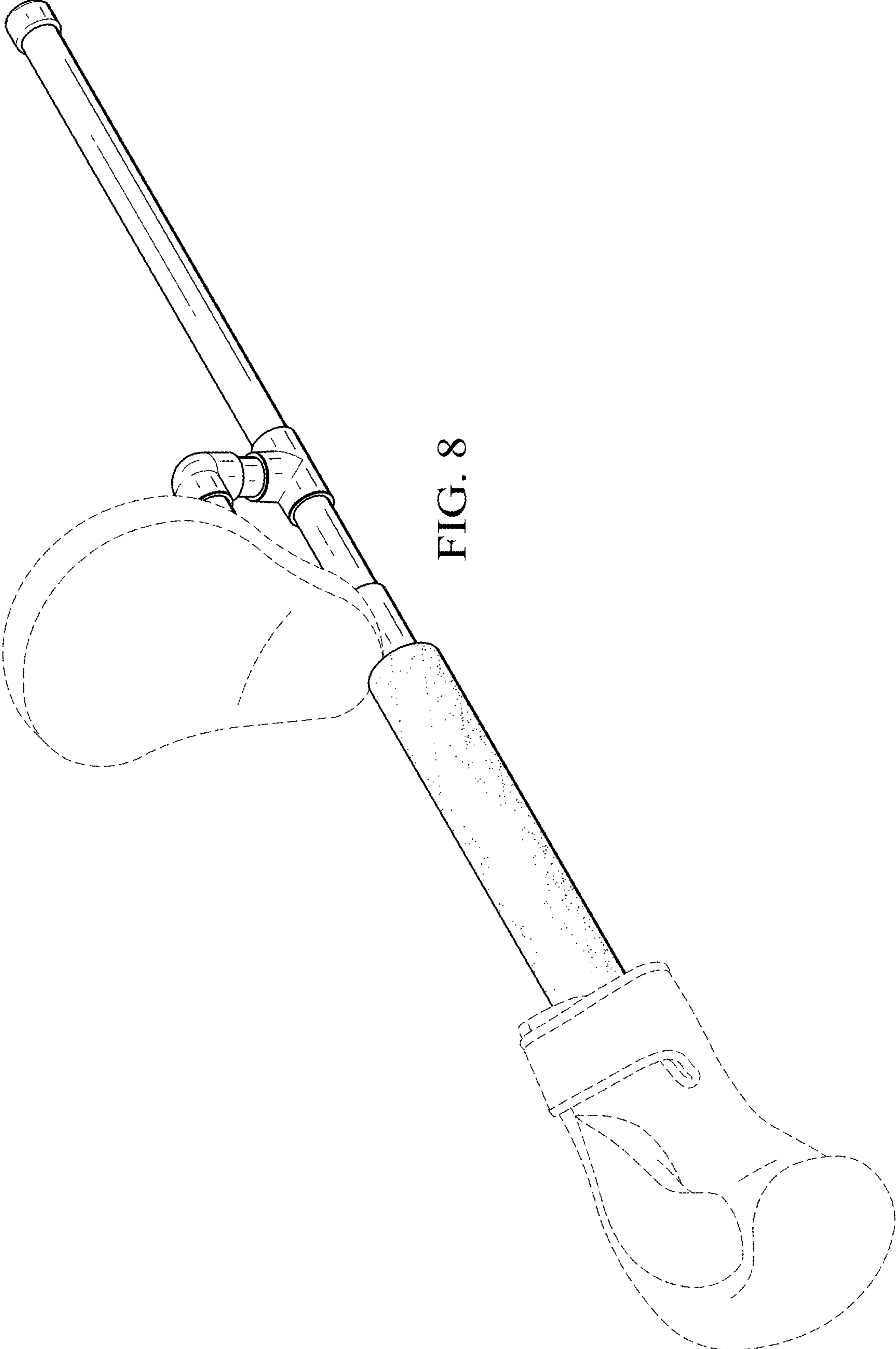


FIG. 8