



US00D976348S

(12) **United States Design Patent**  
**Medina**

(10) **Patent No.:** **US D976,348 S**  
(45) **Date of Patent:** **\*\* Jan. 24, 2023**

- (54) **EXERCISE APPARATUS**
- (71) Applicant: **Dov Medina**, Forest Hills, NY (US)
- (72) Inventor: **Dov Medina**, Forest Hills, NY (US)
- (\*\*) Term: **15 Years**
- (21) Appl. No.: **29/679,844**
- (22) Filed: **Feb. 11, 2019**
- (51) **LOC (14) Cl.** ..... **21-02**
- (52) **U.S. Cl.**  
USPC ..... **D21/694**
- (58) **Field of Classification Search**  
USPC ..... D21/662, 673, 686, 691, 694, 798, 826;  
D25/62, 66, 68, 119, 126; D6/329;  
D8/323, 354  
CPC . A63B 21/026; A63B 23/1218; A63B 71/023;  
A63B 9/00  
See application file for complete search history.

D777,851 S \* 1/2017 Simonetti ..... D21/694  
D863,692 S \* 10/2019 Dadrick ..... D29/124  
D881,296 S \* 4/2020 Poillucci ..... D21/684  
D884,097 S \* 5/2020 Ameri ..... D21/694  
2006/0220394 A1\* 10/2006 Halder ..... F16B 21/165  
292/252  
2007/0243976 A1\* 10/2007 Cao ..... A63B 21/063  
482/94

(Continued)

*Primary Examiner* — Michael A Maharajh  
(74) *Attorney, Agent, or Firm* — Gearhart Law LLC;  
David Postolski

(57) **CLAIM**

The ornamental design for an exercise apparatus, as shown and described.

**DESCRIPTION**

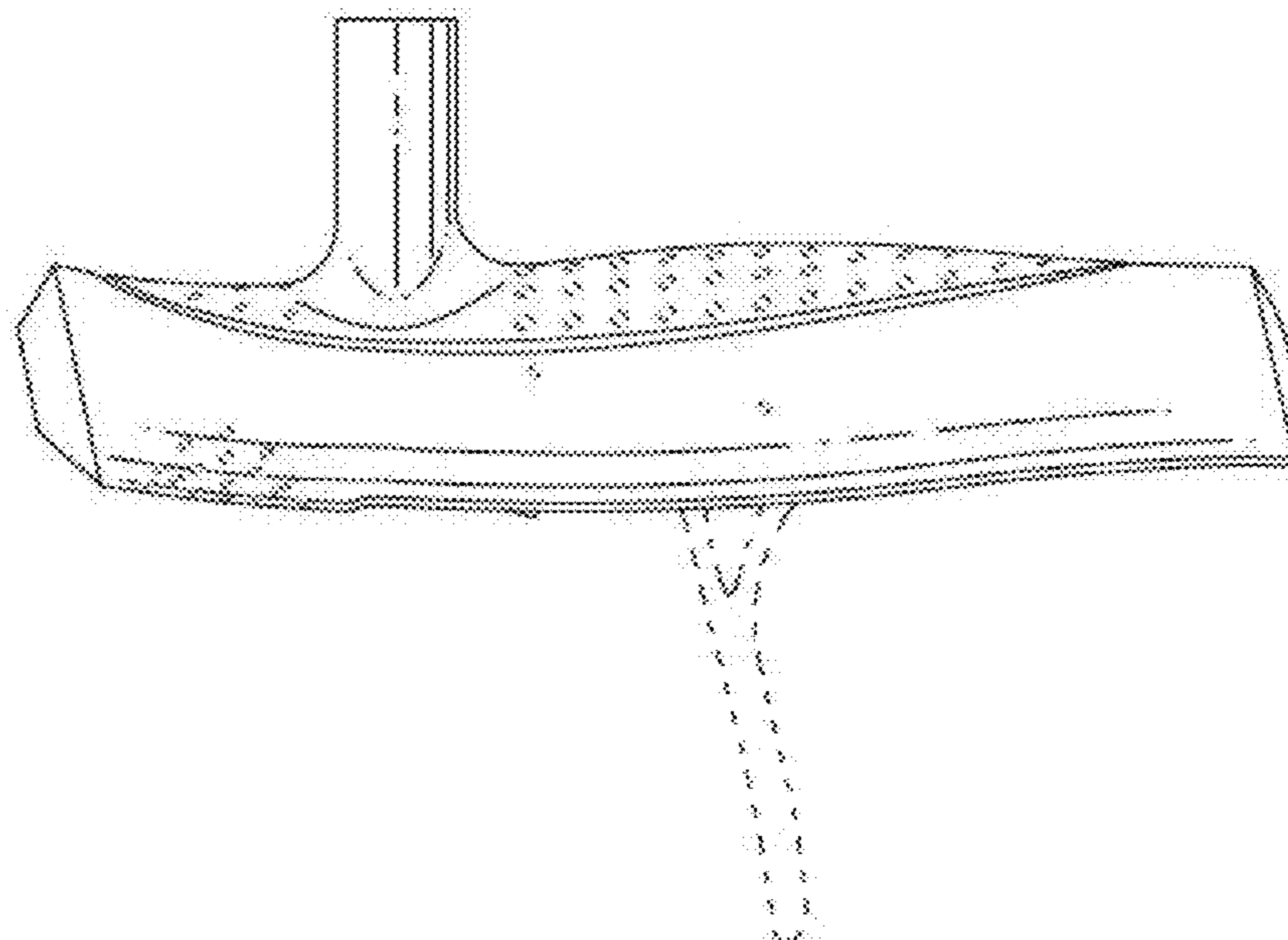
FIG. 1 is a left side view of an exercise apparatus showing my new design;  
FIG. 2 is a left side cross-sectional view taken along line 2,3,4,5—2,3,4,5 of FIG. 8 thereof;  
FIG. 3 is another left side cross-sectional view taken along line 2,3,4,5—2,3,4,5 of FIG. 8 thereof;  
FIG. 4 is another left side cross-sectional view taken along line 2,3,4,5—2,3,4,5 of FIG. 8 thereof;  
FIG. 5 is a right side cross-sectional view taken along line 2,3,4,5—2,3,4,5 of FIG. 8 thereof;  
FIG. 6 is a bottom view of FIG. 8 thereof;  
FIG. 7 is another left side view of an exercise apparatus; and,  
FIG. 8 is a bottom view of an exercise apparatus of FIG. 7.  
The broken lines shown are for the purposes of illustrating portions of the exercise apparatus, which form no part of the claimed design. The elongated element shown through the internal portion of the device in broken lines are for the purposes of illustrating environmental structure, which form no part of the claimed design.

(56) **References Cited**

U.S. PATENT DOCUMENTS

D298,739 S *	11/1988	Richards, Jr. ....	D22/110
D357,951 S *	5/1995	Chen .....	D12/159
D361,847 S *	8/1995	Cetrulo .....	D25/61
D379,835 S *	6/1997	Chen .....	D21/686
D383,967 S *	9/1997	DeMars .....	D8/354
D384,710 S *	10/1997	Pahel .....	D21/694
D403,384 S *	12/1998	Clark .....	D21/684
D404,094 S *	1/1999	Ho .....	74/551.1
D405,133 S *	2/1999	Morgan .....	D21/662
D420,070 S *	2/2000	Zarillo .....	D21/687
D550,792 S *	9/2007	Rogers .....	D21/694
D551,306 S *	9/2007	Rogers .....	D21/694
D554,209 S *	10/2007	Loucks .....	D21/691
D565,133 S *	3/2008	Mollet .....	D21/694
D667,899 S *	9/2012	Bronston .....	D21/662
D703,773 S *	4/2014	Henry .....	D21/691
D730,459 S *	5/2015	Tumminia .....	D21/694

**1 Claim, 3 Drawing Sheets**



(56)

**References Cited**

U.S. PATENT DOCUMENTS

2015/0367160 A1\* 12/2015 Medina ..... A63B 21/0555  
482/126  
2018/0193713 A1\* 7/2018 Lo ..... A63B 21/00069  
2018/0333609 A1\* 11/2018 Zerbo ..... A63B 21/0428

\* cited by examiner

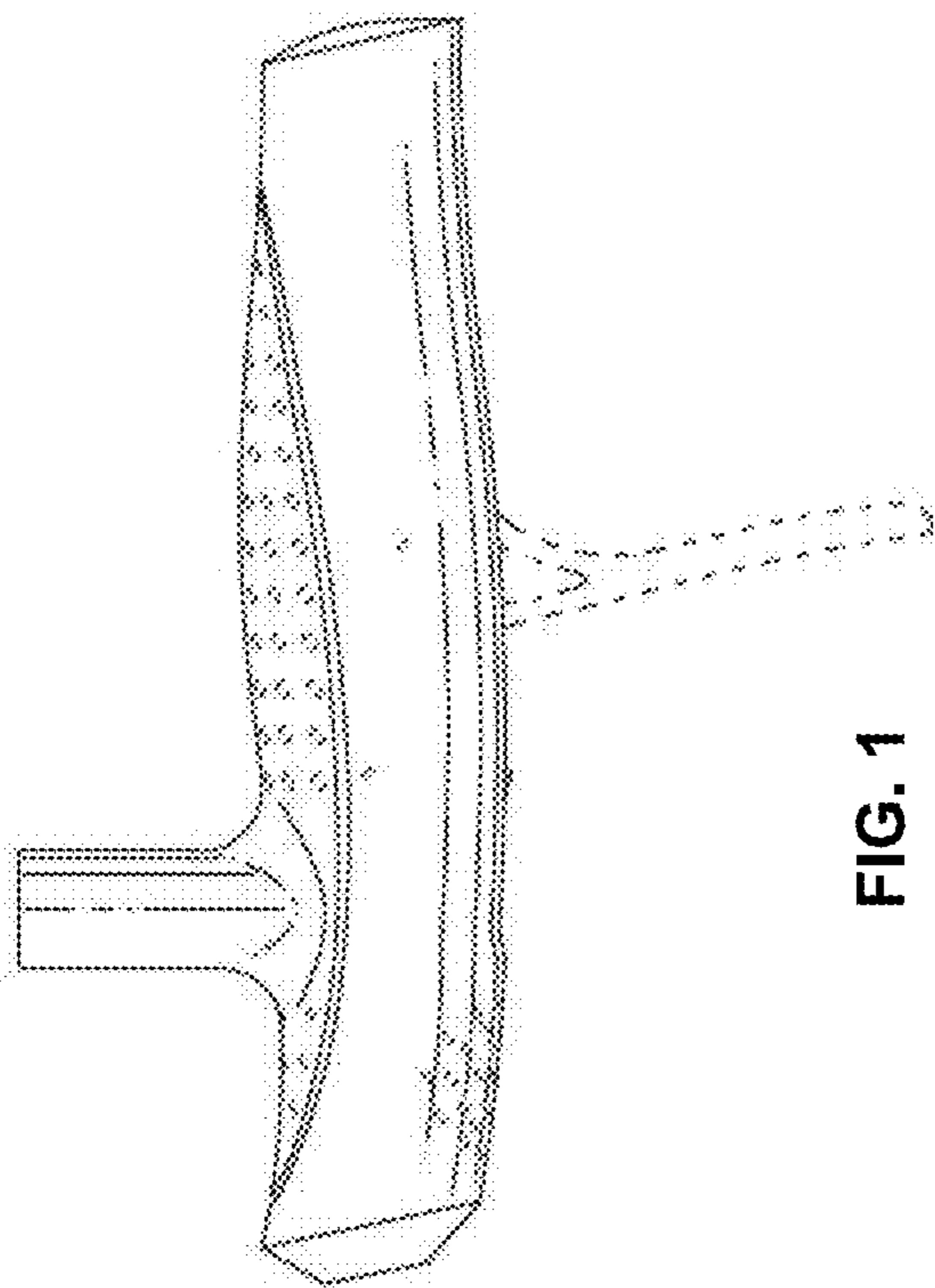


FIG. 1

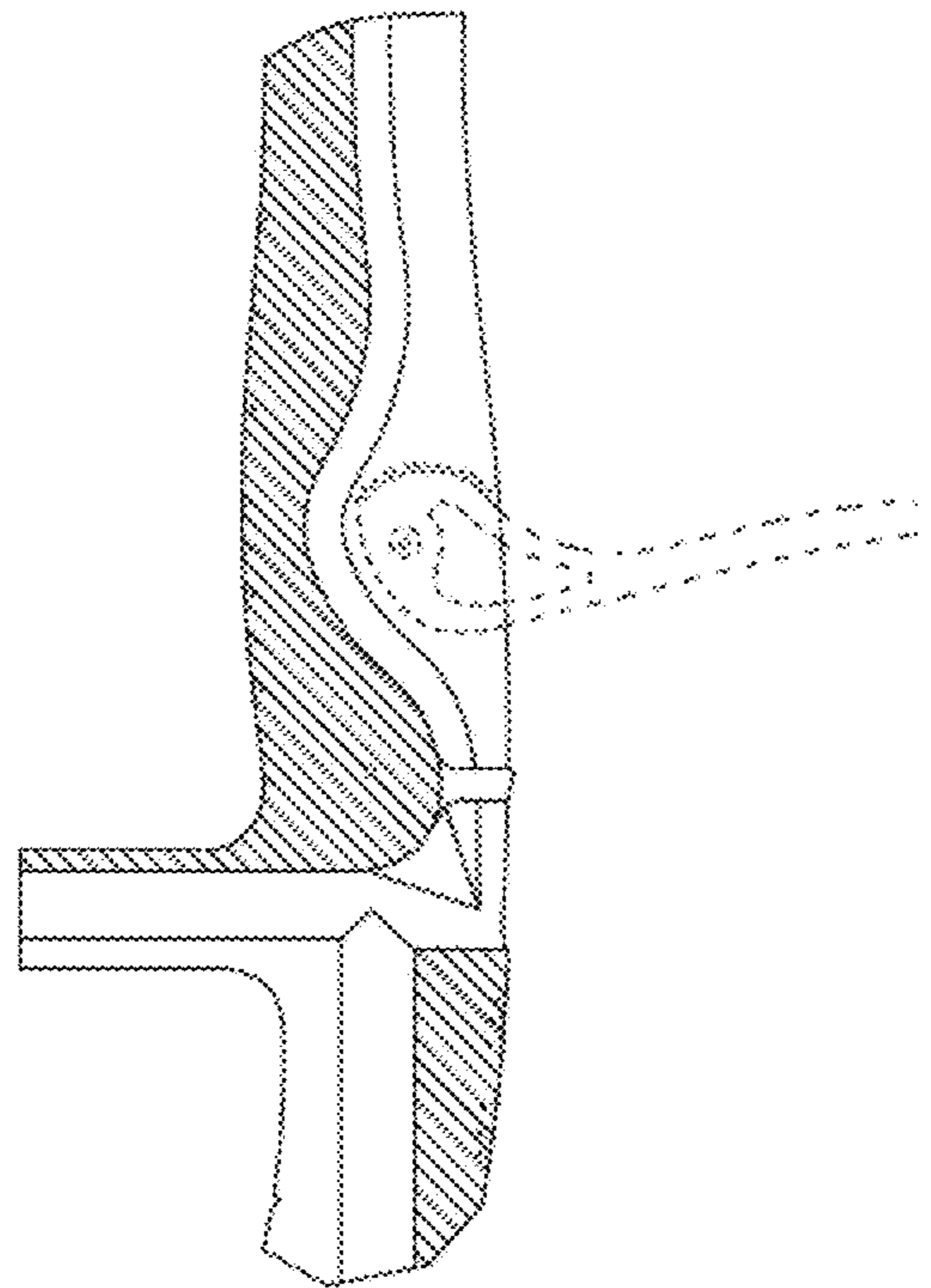
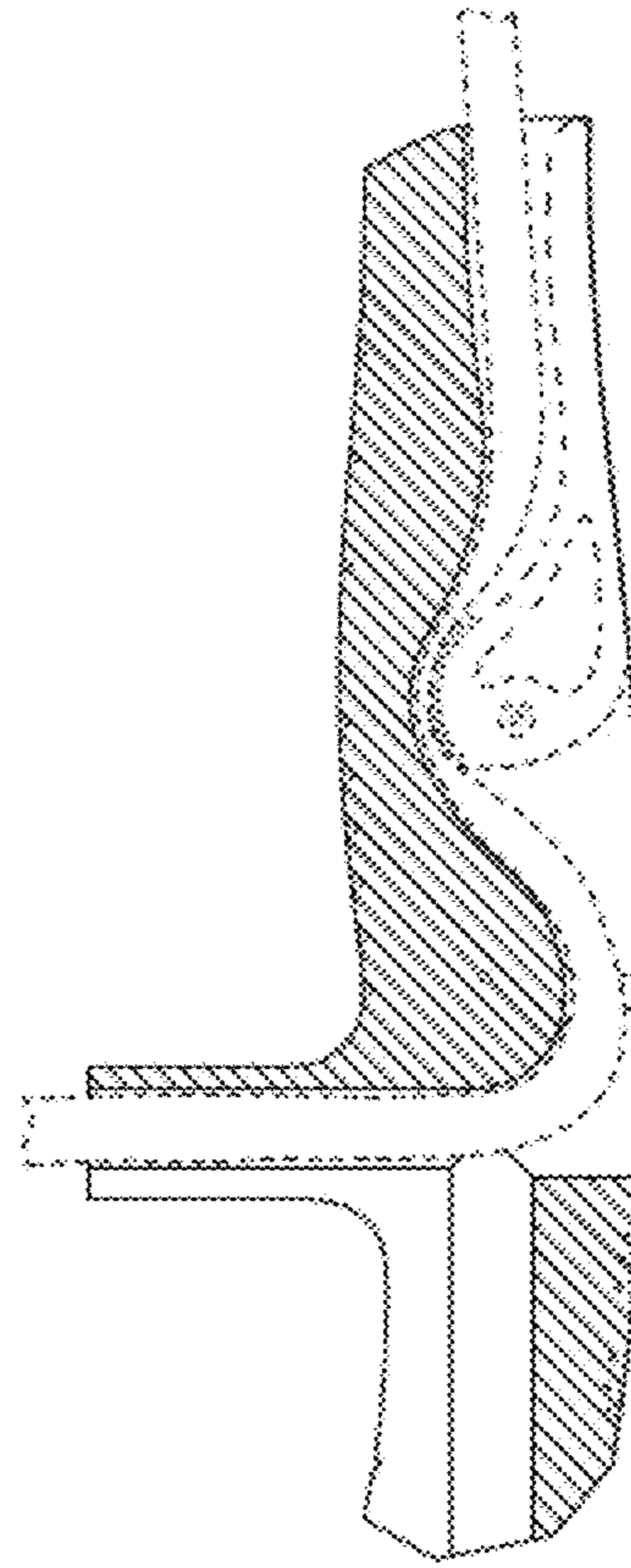
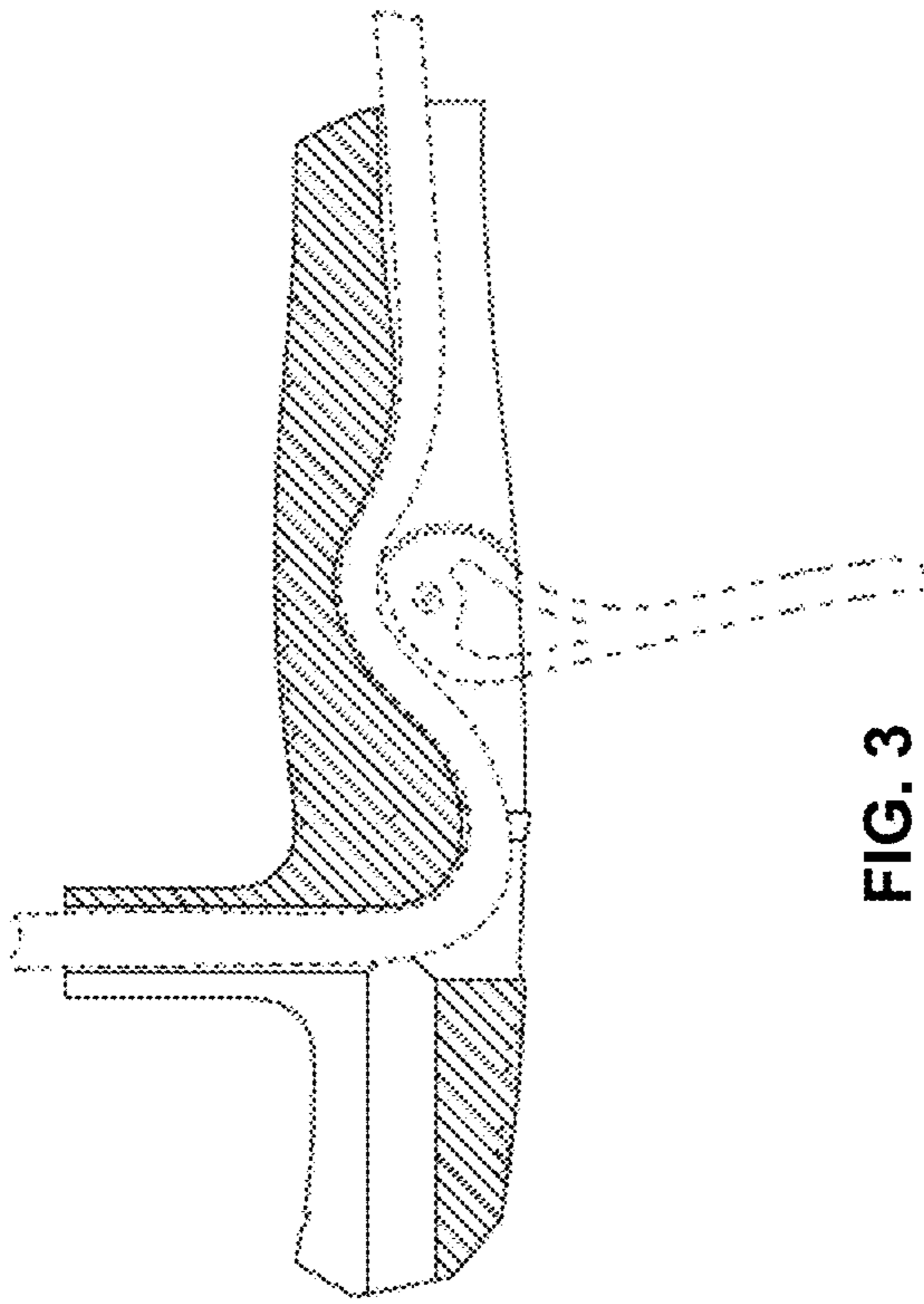


FIG. 2



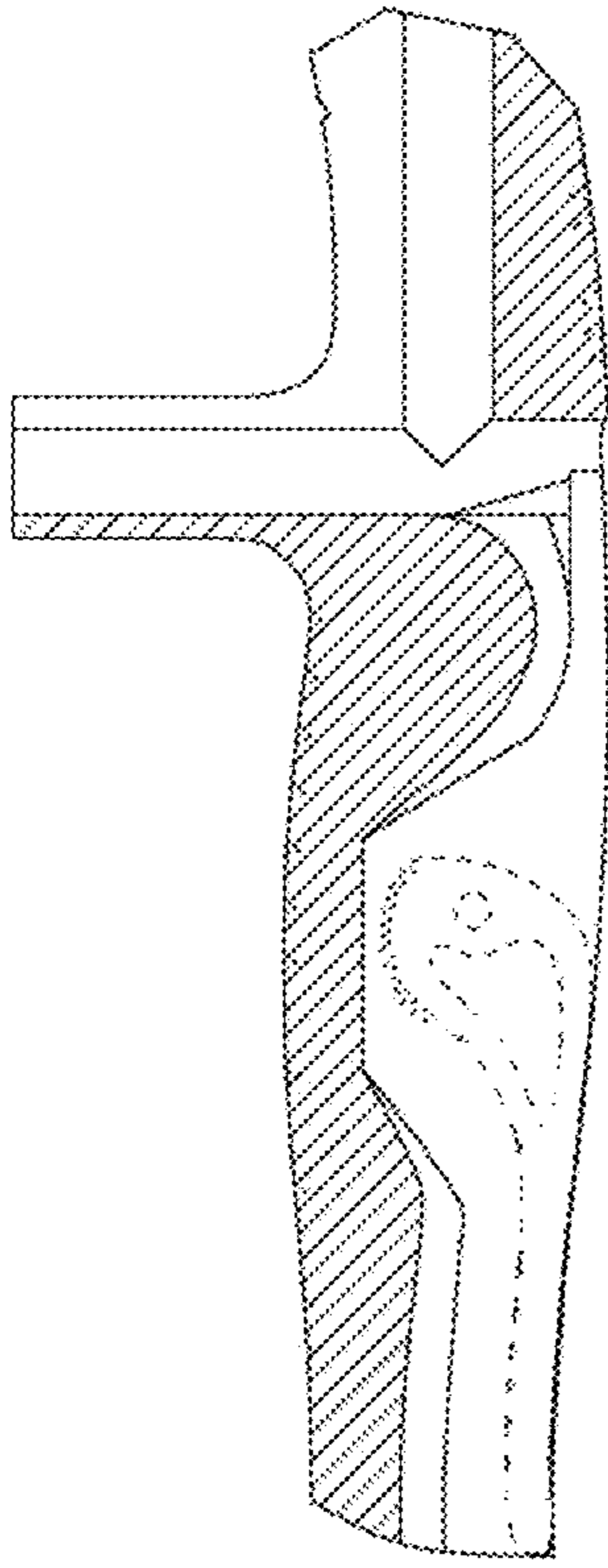


FIG. 5

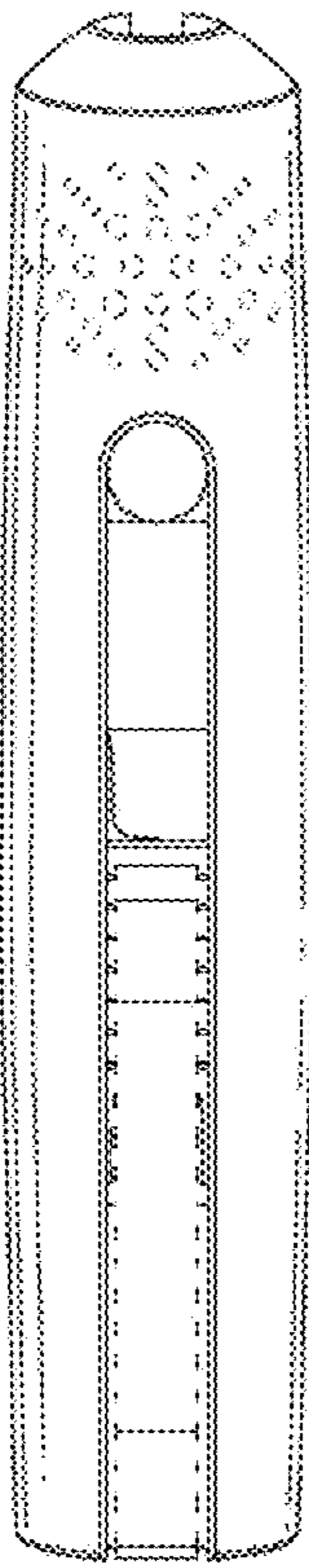


FIG. 6

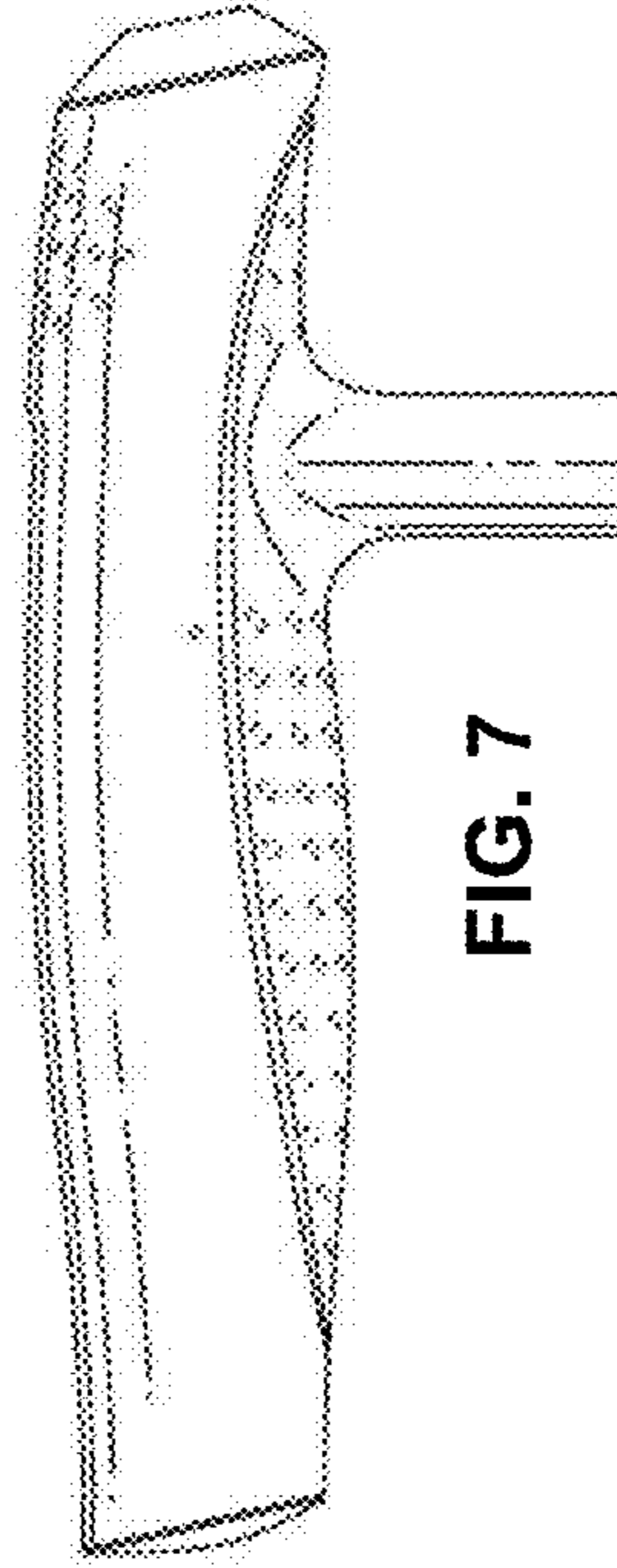


FIG. 7

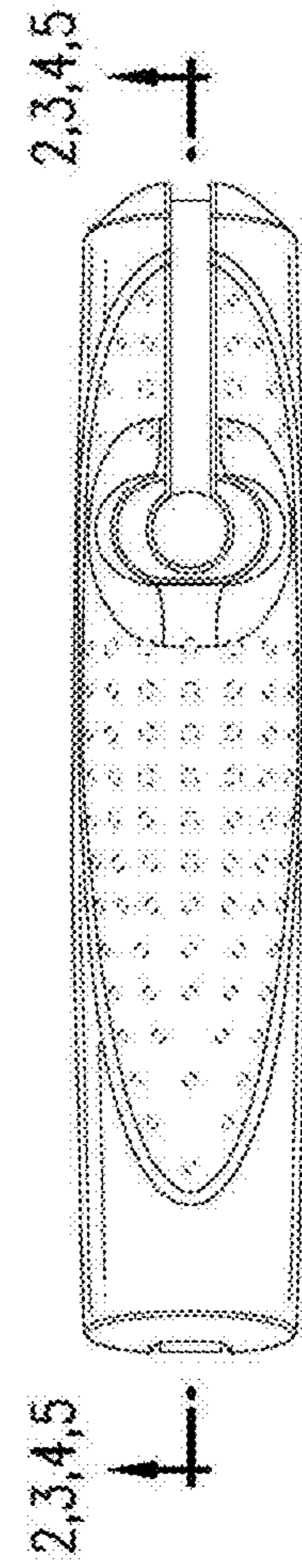


FIG. 8