



US00D976347S

(12) **United States Design Patent**
McIntyre

(10) **Patent No.:** **US D976,347 S**

(45) **Date of Patent:** **** Jan. 24, 2023**

(54) **MOVABLE EXERCISE PLATFORM**

(71) Applicant: **Hero Board America LLC**, Royal Oak, MI (US)

(72) Inventor: **Donald McIntyre**, Royal Oak, MI (US)

(73) Assignee: **Hero Board America LLC**, Royal Oak, MI (US)

(**) Term: **15 Years**

(21) Appl. No.: **29/824,478**

(22) Filed: **Jan. 25, 2022**

Related U.S. Application Data

(63) Continuation of application No. 29/694,486, filed on Jun. 11, 2019, now Pat. No. Des. 941,940.

(51) **LOC (14) Cl.** **21-02**

(52) **U.S. Cl.**
USPC **D21/686**

(58) **Field of Classification Search**

USPC D8/499; D34/28, 23; D3/318, 233, 226; D21/788, 694, 689, 687, 686, 682, 680, D21/671, 662, 683, 423, 419; D10/83; 482/97, 93, 74, 68, 66, 55, 5, 142, 14, 482/106, 105; 473/445, 447, 444, 441
CPC . A63B 69/345; A63B 23/047; A63B 21/4035; A63B 21/0618; A63B 22/20; A63B 21/0004

See application file for complete search history.

(56) **References Cited**

U.S. PATENT DOCUMENTS

2,069,384 A * 2/1937 Ogden A63B 22/20
482/132
3,062,548 A * 11/1962 Foster A63B 21/008
473/445
D346,252 S * 4/1994 Jones D34/28

D351,707 S * 10/1994 Pill D34/12
D352,586 S * 11/1994 Baucom D34/27
D356,412 S * 3/1995 Hensley, Jr. D34/27
D406,432 S * 3/1999 Taylor D34/23
D406,433 S * 3/1999 Taylor D34/23
D406,683 S * 3/1999 Taylor D34/23
D446,264 S * 8/2001 Fischer D21/662
6,761,650 B1 * 7/2004 Dettmann A63B 69/345
473/445
D556,419 S * 11/2007 Whiteside D34/23
D556,972 S * 12/2007 Whiteside D34/23
D567,887 S * 4/2008 Deluise D21/662
7,527,568 B2 * 5/2009 Joseph A63B 69/345
473/422

(Continued)

Primary Examiner — Ryan Harvey

(74) *Attorney, Agent, or Firm* — Honigman LLP

(57) **CLAIM**

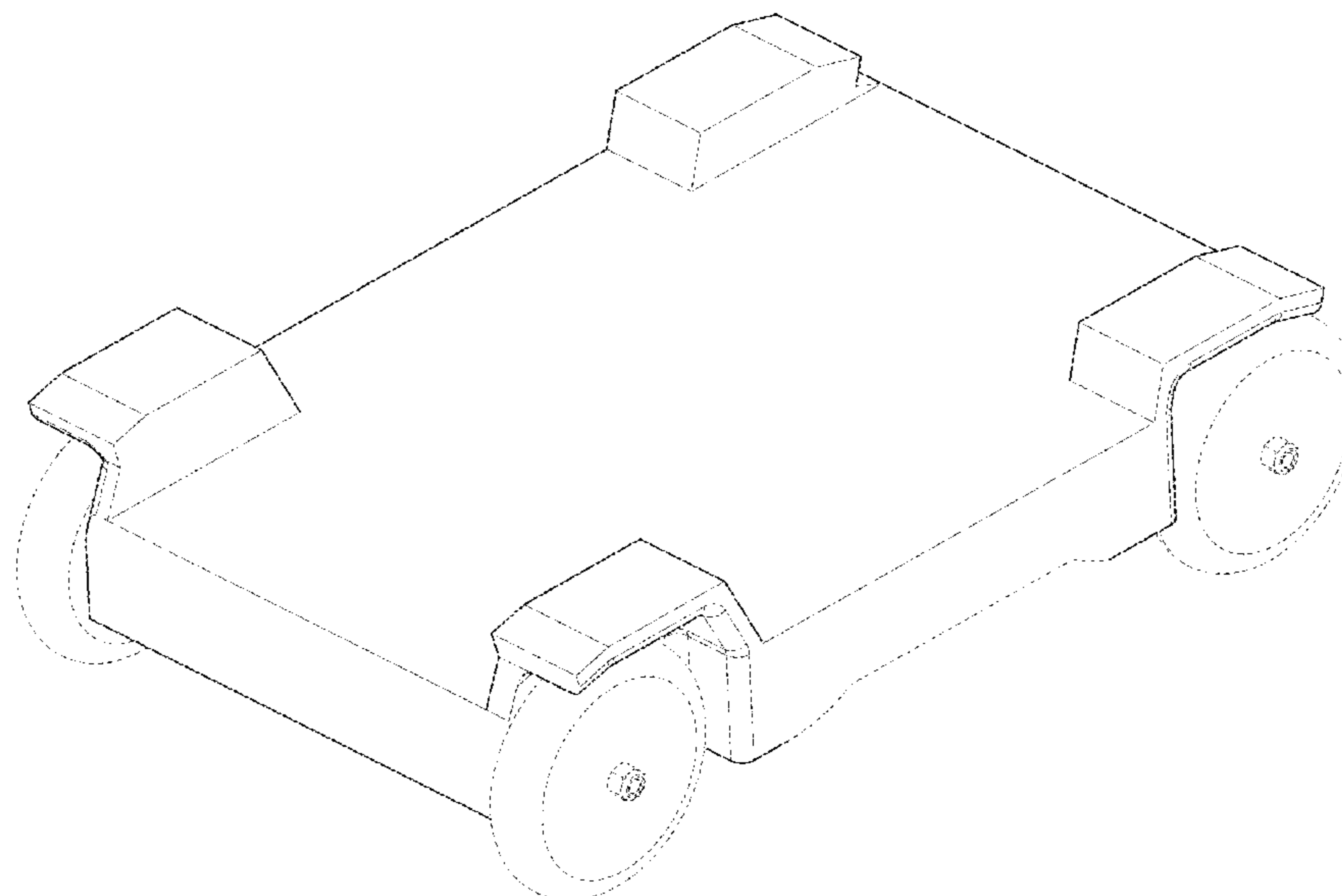
I claim the ornamental design for a movable exercise platform, as shown and described.

DESCRIPTION

FIG. 1 is a perspective view of a movable exercise platform; FIG. 2 is a front view of the movable exercise platform of FIG. 1; FIG. 3 is a back view of the movable exercise platform of FIG. 1; FIG. 4 is a left view of the movable exercise platform of FIG. 1; FIG. 5 is a right view of the movable exercise platform of FIG. 1; FIG. 6 is a top view of the movable exercise platform of FIG. 1; and, FIG. 7 is a bottom view of the movable exercise platform of FIG. 1.

The broken line showing of portions of the moveable exercise platform depicts environment and forms no part of the claim.

1 Claim, 6 Drawing Sheets



(56)

References Cited

U.S. PATENT DOCUMENTS

D717,377 S * 11/2014 Orenstein D21/760
D739,483 S * 9/2015 Aller D21/686
D748,201 S * 1/2016 Orenstein D21/760
D768,788 S * 10/2016 Orenstein D21/760
D789,462 S * 6/2017 Ho D21/687
D795,365 S * 8/2017 Peritz D21/689
D825,696 S * 8/2018 Mercenari Uribe D21/671
D825,697 S * 8/2018 Mercenari Uribe D21/687
D895,742 S * 9/2020 Vorozilchak D21/686
10,874,897 B1 * 12/2020 Eastham, Jr. A63B 22/20
D941,940 S * 1/2022 McIntyre D21/686
2005/0164850 A1 * 7/2005 Leibowitz A63B 21/0618
482/66
2009/0267313 A1 * 10/2009 Kalajyan B62B 5/0083
280/33.998
2010/0267533 A1 * 10/2010 Susnjara A63B 21/4011
482/142
2011/0105288 A1 * 5/2011 Susnjara A63B 22/20
482/142
2018/0243597 A1 * 8/2018 Schlegel A63B 69/34
2018/0326248 A1 * 11/2018 Baumler A63B 23/047
2020/0238127 A1 * 7/2020 Wehrell A63B 21/06
2021/0106868 A1 * 4/2021 McIntyre A63B 23/0488

* cited by examiner

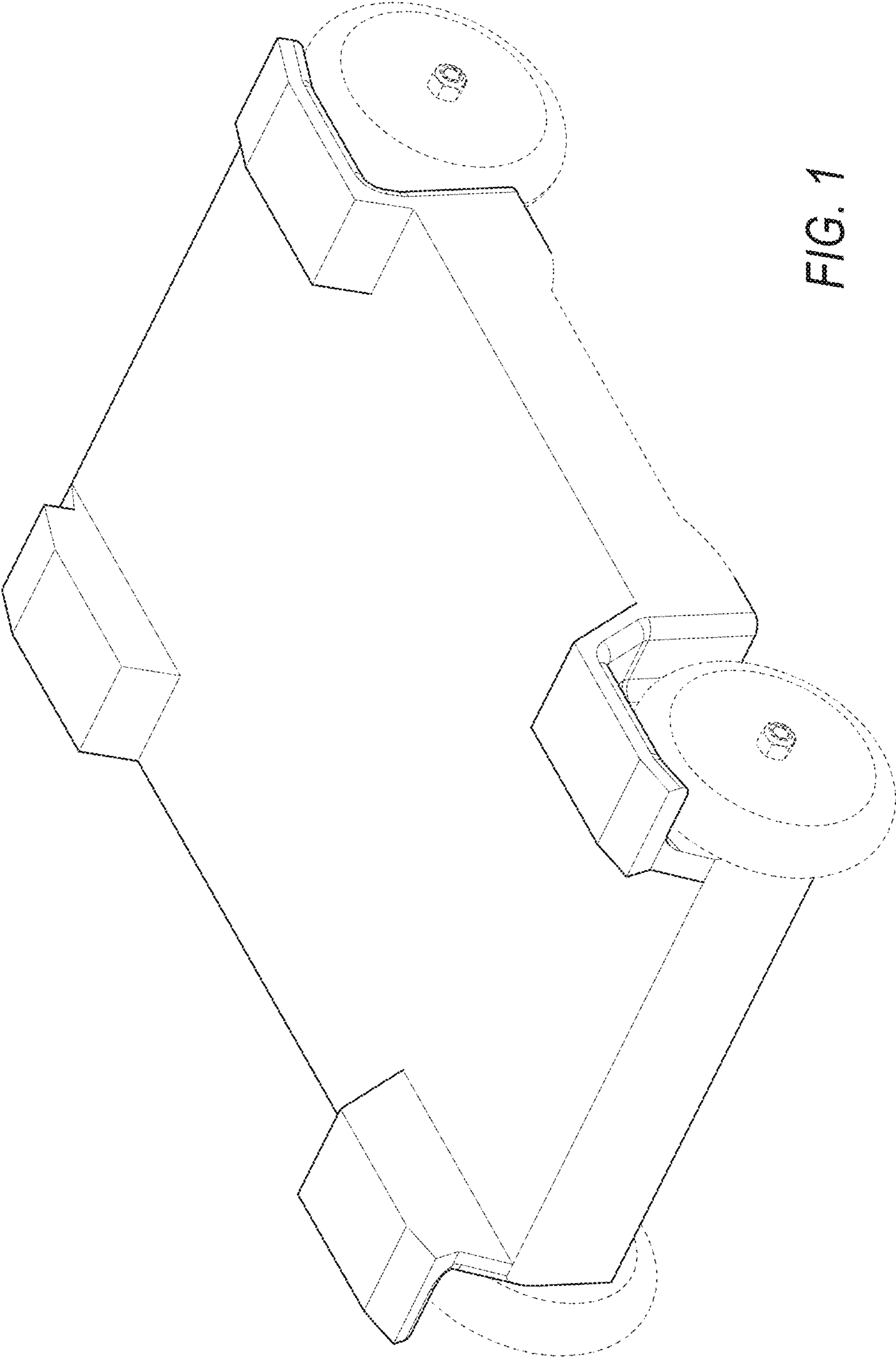


FIG. 1



FIG. 2

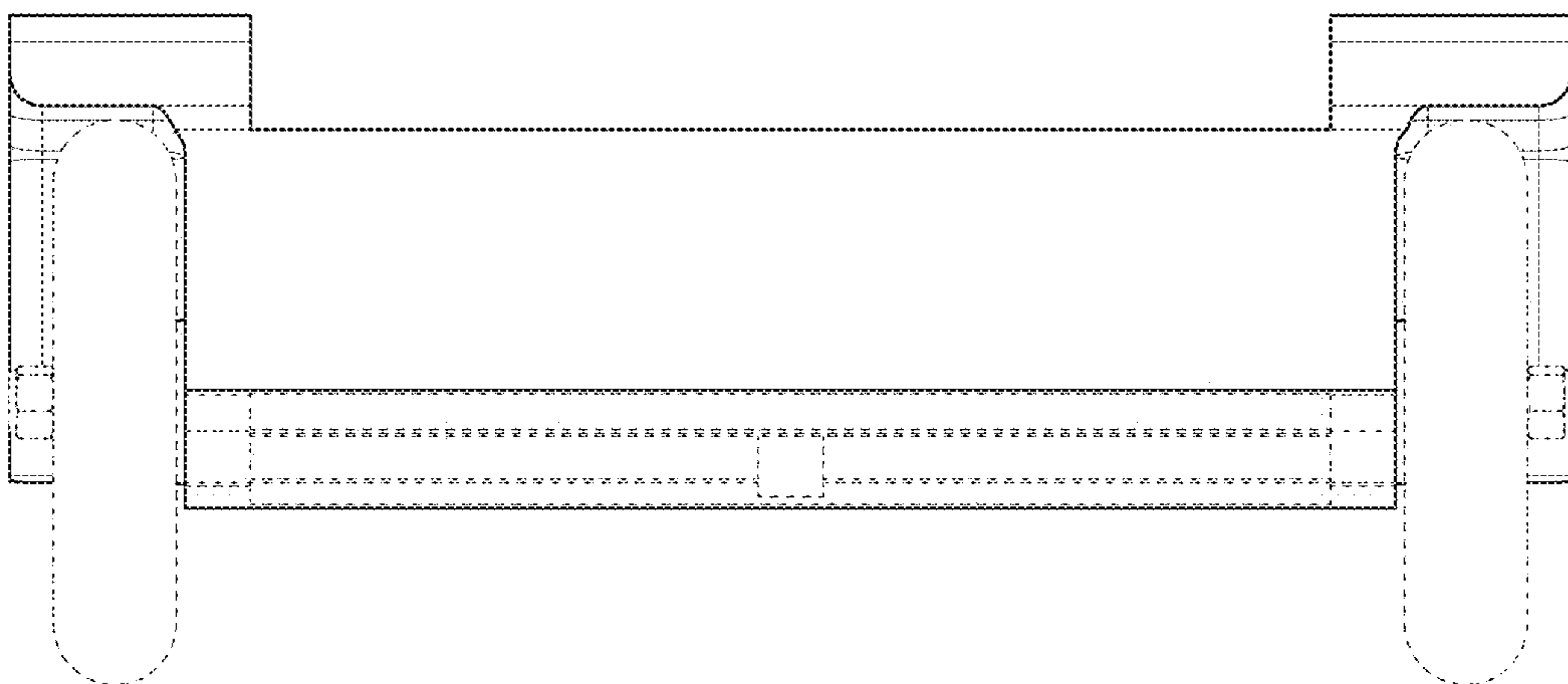


FIG. 3

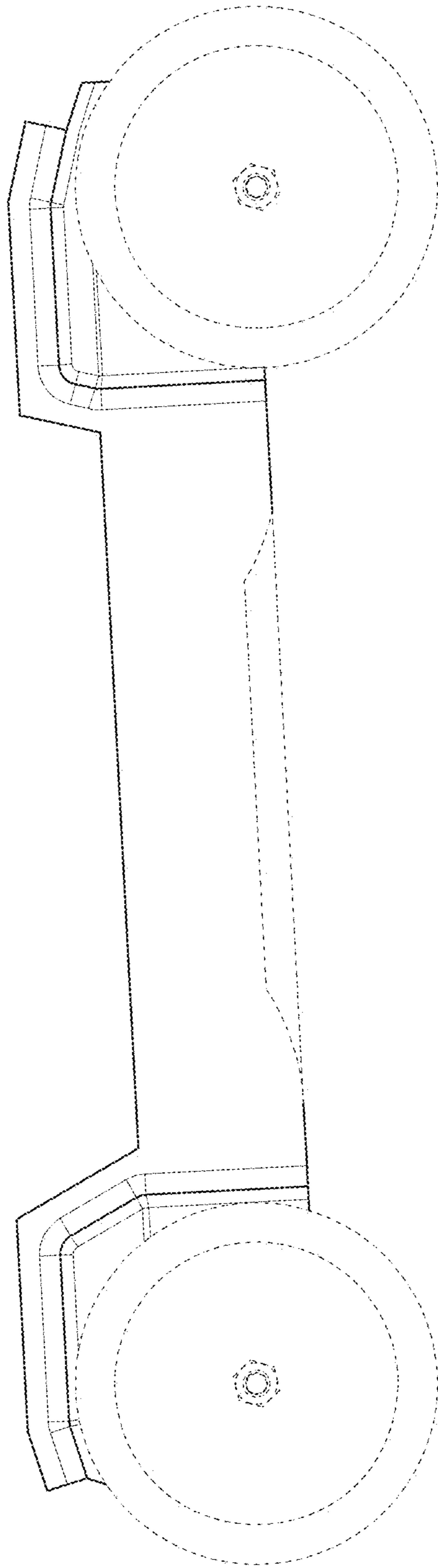


FIG. 4

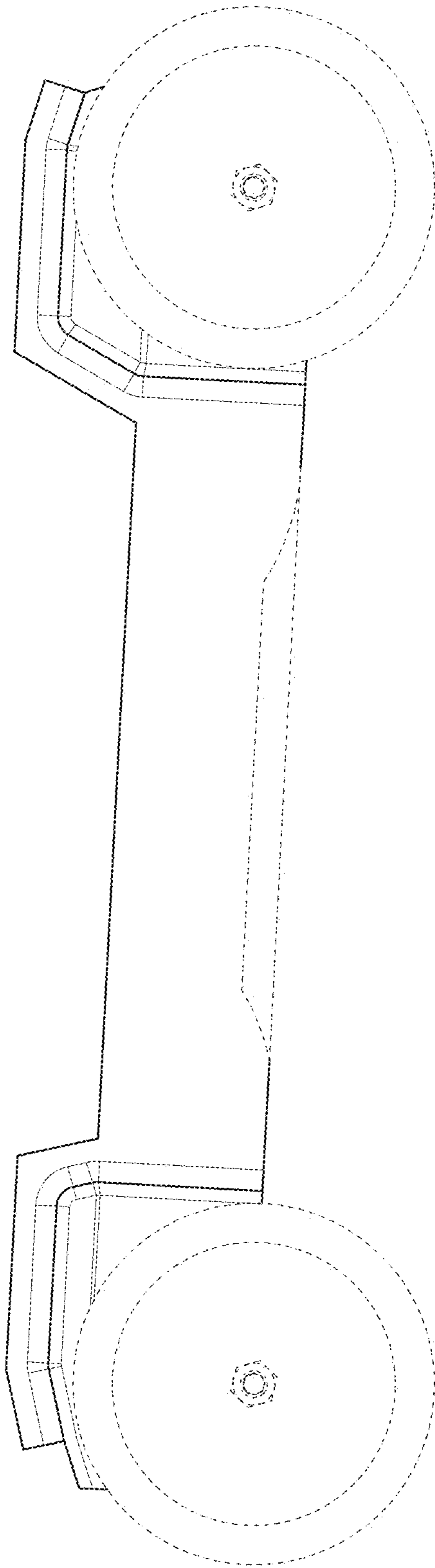


FIG. 5

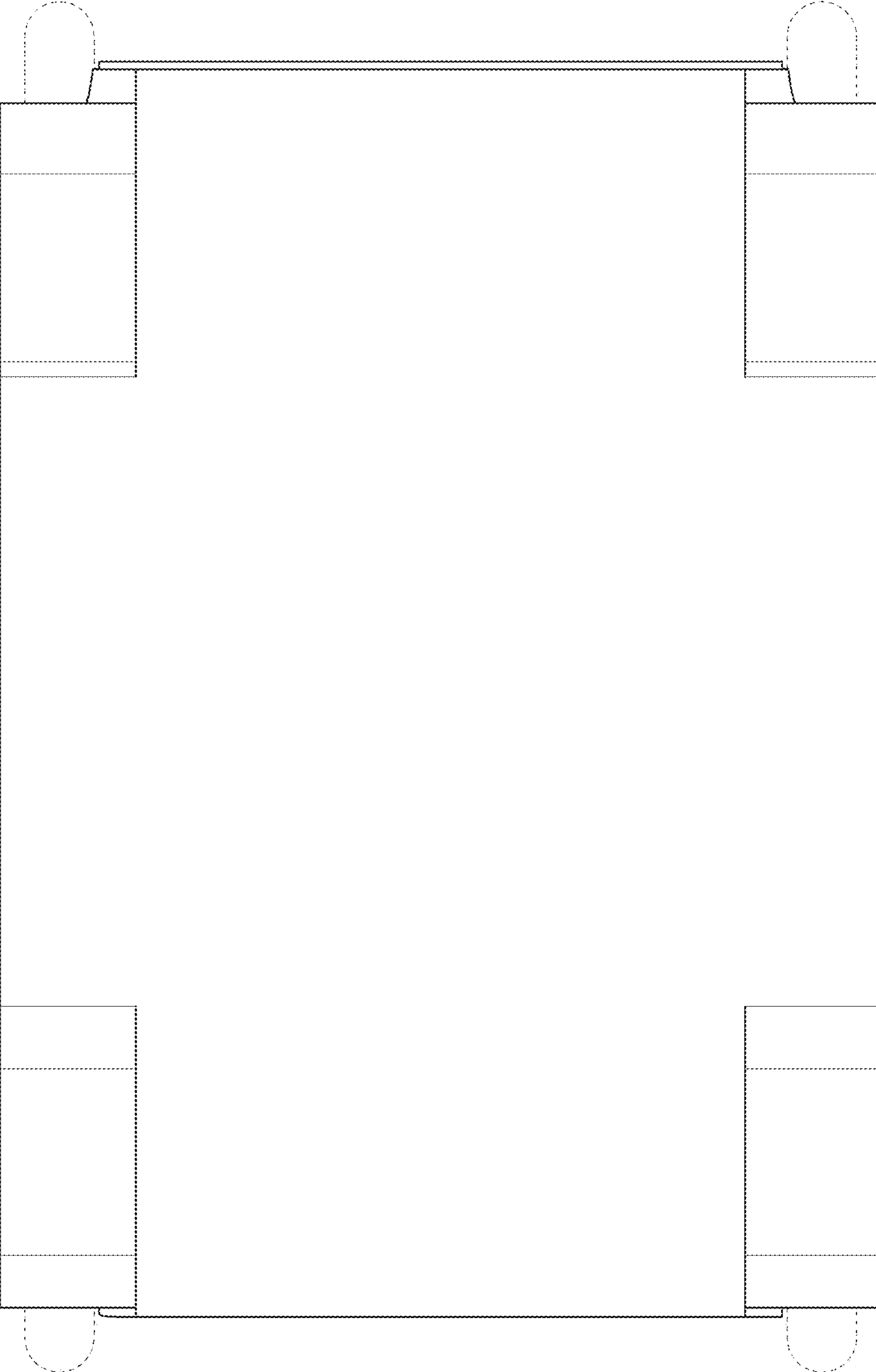


FIG. 6

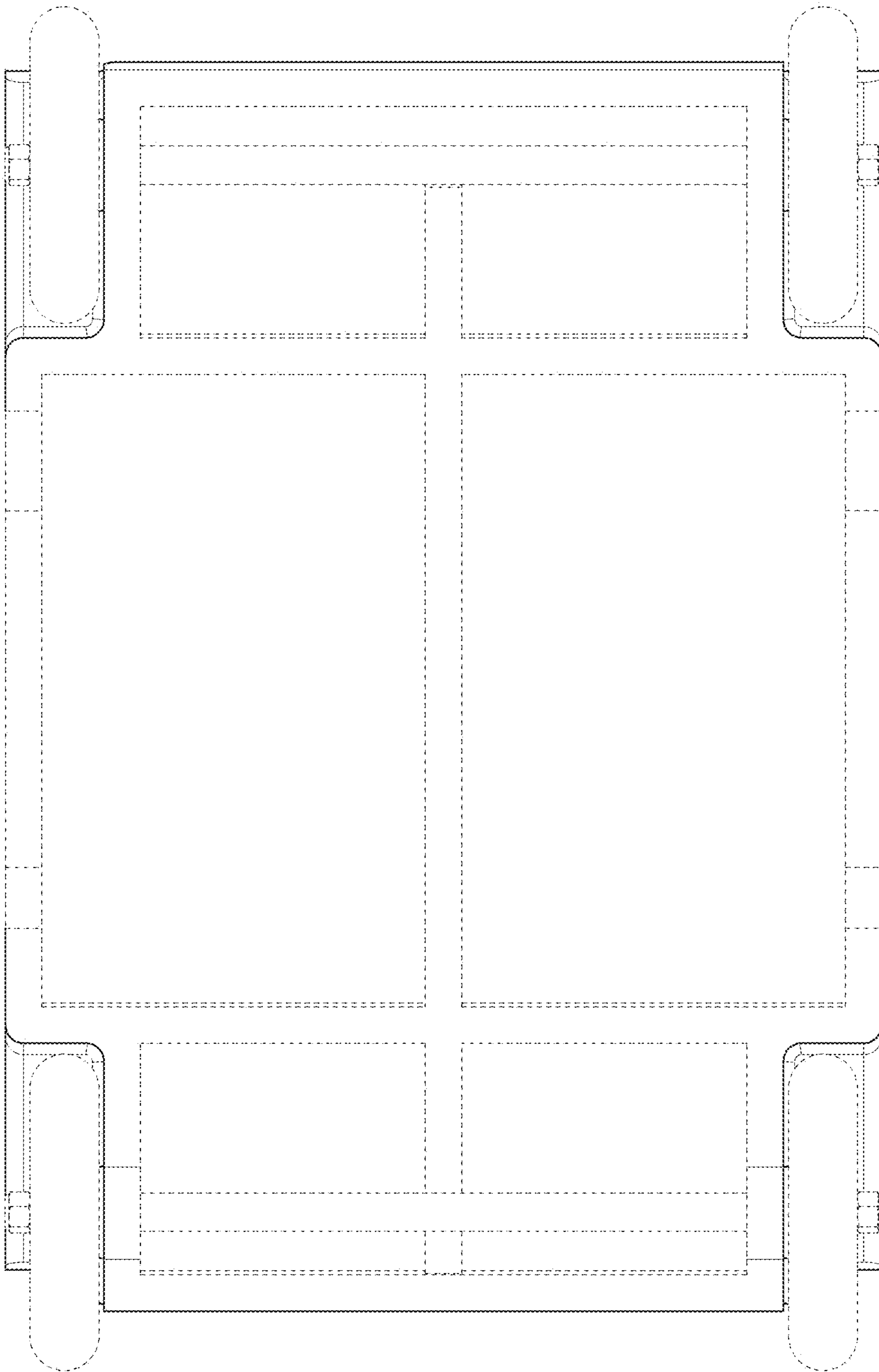


FIG. 7