



US00D976345S

(12) **United States Design Patent** (10) **Patent No.:** **US D976,345 S**
Sisler (45) **Date of Patent:** **** Jan. 24, 2023**

| | |
|--|--|
| (54) ADJUSTABLE KETTLEBELL | 7,491,157 B1 * 2/2009 Lin A63B 21/072 482/107 |
| (71) Applicant: Craig Louis Sisler , Meadowview, VA (US) | 7,563,208 B1 * 7/2009 Chen A63B 21/075 482/93 |
| (72) Inventor: Craig Louis Sisler , Meadowview, VA (US) | 7,762,933 B1 * 7/2010 Yu A63B 21/075 482/109 |
| (**) Term: 15 Years | 7,883,452 B1 * 2/2011 Chen A63B 21/072 482/93 |
| (21) Appl. No.: 29/840,103 | D644,701 S * 9/2011 Towley, III D21/681 |
| (22) Filed: May 26, 2022 | D651,672 S * 1/2012 Towley, III D21/681 |
| | D652,877 S * 1/2012 Dalebout D21/682 |
| | D653,715 S * 2/2012 Tumminia A63B 21/072 D21/679 |
| | D664,613 S * 7/2012 Dalebout D21/682 |
| | D692,509 S * 10/2013 Kessler D21/682 |
| | 9,022,906 B1 * 5/2015 Nelson A63B 21/4035 482/109 |

Related U.S. Application Data

(63) Continuation-in-part of application No. 29/815,985, filed on Nov. 18, 2021.

(51) **LOC (14) Cl.** **21-02**

(52) **U.S. Cl.**
USPC **D21/682**; D21/680; D21/694

(58) **Field of Classification Search**
USPC D21/680, 682, 662, 684, 686, 692, 681;
482/93, 106, 110, 108, 44, 91, 112;
D30/160; D19/64
CPC A63B 21/0728; A63B 21/00065; A63B
21/072; A63B 21/075; A63B 21/4035;
A63B 21/06; A63B 21/0602; A63B
21/0004
See application file for complete search history.

(56) **References Cited**

U.S. PATENT DOCUMENTS

4,717,147 A * 1/1988 Rochelle A63B 21/0724
482/106

D416,959 S * 11/1999 Tumminia D21/679

6,387,022 B1 * 5/2002 Smith A63B 65/06
482/106

D522,594 S * 6/2006 Donahue D21/682

D522,595 S * 6/2006 Donahue D21/682

D571,418 S * 6/2008 Gormley D21/680

(Continued)

Primary Examiner — Ryan Harvey

(74) *Attorney, Agent, or Firm* — Gearhart Law LLC;
David Postolski

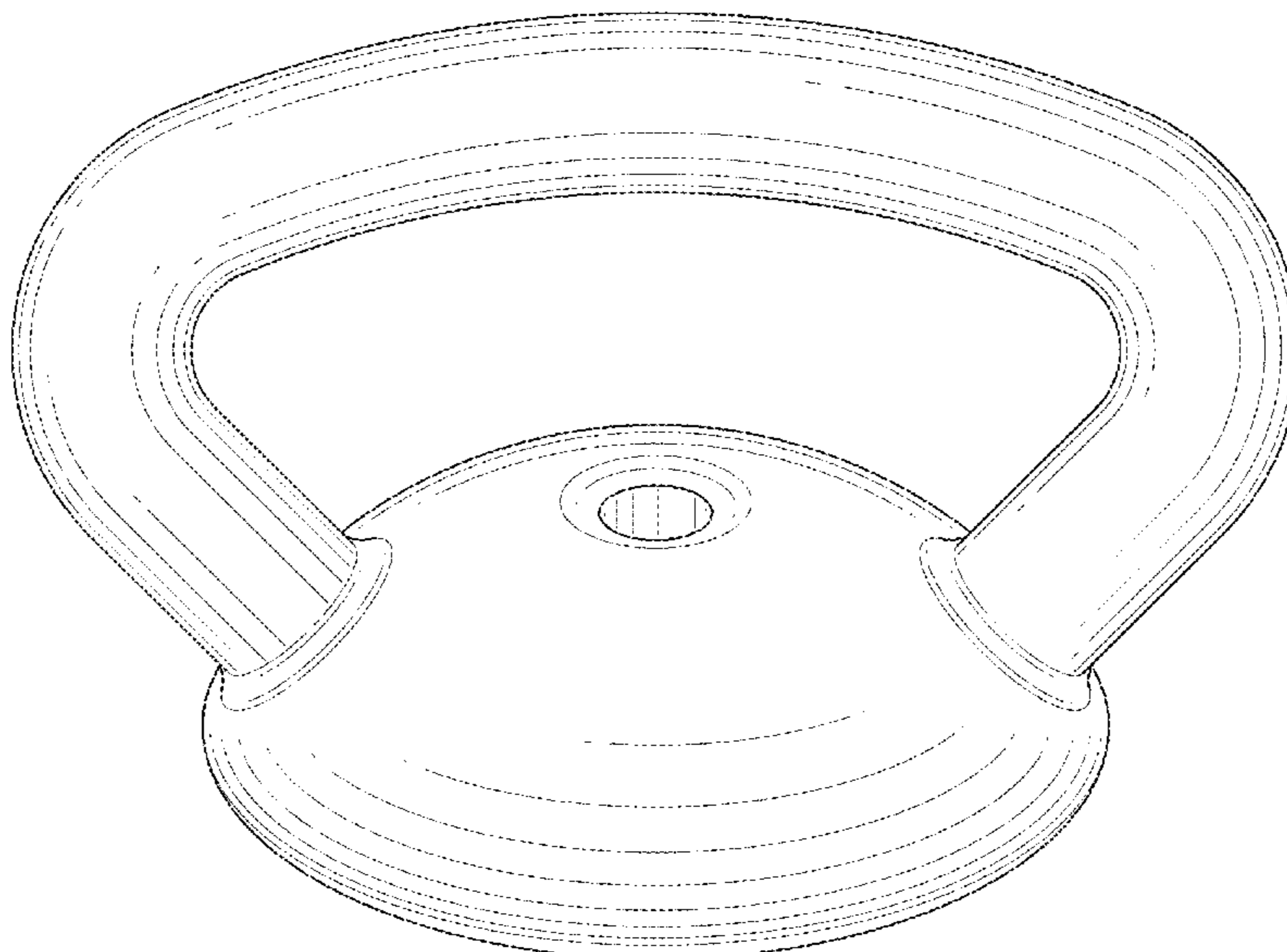
(57) **CLAIM**

I claim the ornamental design for an adjustable kettlebell, as shown and described.

DESCRIPTION

FIG. 1 depicts a top perspective view of a new and ornamental design for an adjustable kettlebell;
FIG. 2 depicts a bottom perspective view of FIG. 1;
FIG. 3 depicts a front elevational view of FIG. 1;
FIG. 4 depicts a rear elevational view of FIG. 1;
FIG. 5 depicts a left side elevational view of FIG. 1;
FIG. 6 depicts a right side elevational view of FIG. 1;
FIG. 7 depicts a top plan view of FIG. 1;
FIG. 8 depicts a bottom plan view of FIG. 1; and,
FIG. 9 depicts a perspective view of the adjustable kettlebell, shown in use.
The broken line showing of portions of the adjustable kettlebell forms no part of the claim.

1 Claim, 9 Drawing Sheets



(56)

References Cited

U.S. PATENT DOCUMENTS

9,327,159 B1 * 5/2016 Medina A63B 21/0726
 9,731,159 B2 * 8/2017 Reynolds A63B 21/4035
 D796,592 S * 9/2017 Towley D21/682
 9,814,421 B2 * 11/2017 Edwards A61B 5/221
 D804,592 S * 12/2017 Wittmack D21/681
 10,099,083 B1 * 10/2018 Owusu A63B 24/0062
 10,188,899 B1 * 1/2019 Acuna, Jr. A63B 21/0442
 D843,511 S * 3/2019 Harrison D21/682
 D844,718 S * 4/2019 Buikema D21/682
 D879,888 S * 3/2020 Flick D21/680
 D879,891 S * 3/2020 Sundblad D21/694
 D888,848 S * 6/2020 Owusu D21/680
 10,695,614 B2 * 6/2020 Owusu A61B 5/6895
 D896,325 S * 9/2020 Sundblad D21/682
 D908,819 S * 1/2021 Flick D21/680
 D942,559 S * 2/2022 Wang D21/680
 2006/0035767 A1 * 2/2006 Ekhaus A63B 21/0601
 482/50
 2007/0135274 A1 * 6/2007 Blateri A63B 21/075
 482/109
 2008/0081744 A1 * 4/2008 Gormley A63B 21/0728
 482/93
 2009/0062085 A1 * 3/2009 Polevoy A63B 21/0728
 482/93
 2010/0120588 A1 * 5/2010 Krull A63B 21/0728
 482/93
 2010/0190619 A1 * 7/2010 Chen A63B 21/072
 482/108

2010/0331151 A1 * 12/2010 Signorile A63B 21/00196
 482/93
 2011/0263392 A1 * 10/2011 Yu A63B 21/072
 482/93
 2011/0275494 A1 * 11/2011 Radi A63B 21/0603
 482/93
 2012/0252641 A1 * 10/2012 Odneal A63B 21/072
 482/108
 2013/0040789 A1 * 2/2013 Kessler A63B 21/072
 482/108
 2013/0210589 A1 * 8/2013 Thompson A63B 21/0726
 482/108
 2014/0024506 A1 * 1/2014 Vixathep A63B 21/072
 482/108
 2014/0057764 A1 * 2/2014 Klukas A63B 21/0728
 482/109
 2015/0105224 A1 * 4/2015 Odneal A63B 21/0726
 164/47
 2015/0196792 A1 * 7/2015 Towley A63B 21/075
 482/93
 2017/0225025 A1 * 8/2017 Towley A63B 71/0036
 2017/0246495 A1 * 8/2017 Wyncott A63B 21/00065
 2018/0117387 A1 * 5/2018 Wang A63B 21/072
 2018/0169460 A1 * 6/2018 Chen A63B 21/075
 2019/0217146 A1 * 7/2019 Sisler A63B 21/072
 2019/0240526 A1 * 8/2019 Owusu A63B 21/0724
 2021/0154520 A1 * 5/2021 Sundblad A63B 21/0728
 2021/0244994 A1 * 8/2021 Wang A63B 21/075
 2021/0379440 A1 * 12/2021 Sisler A63B 21/0728

* cited by examiner

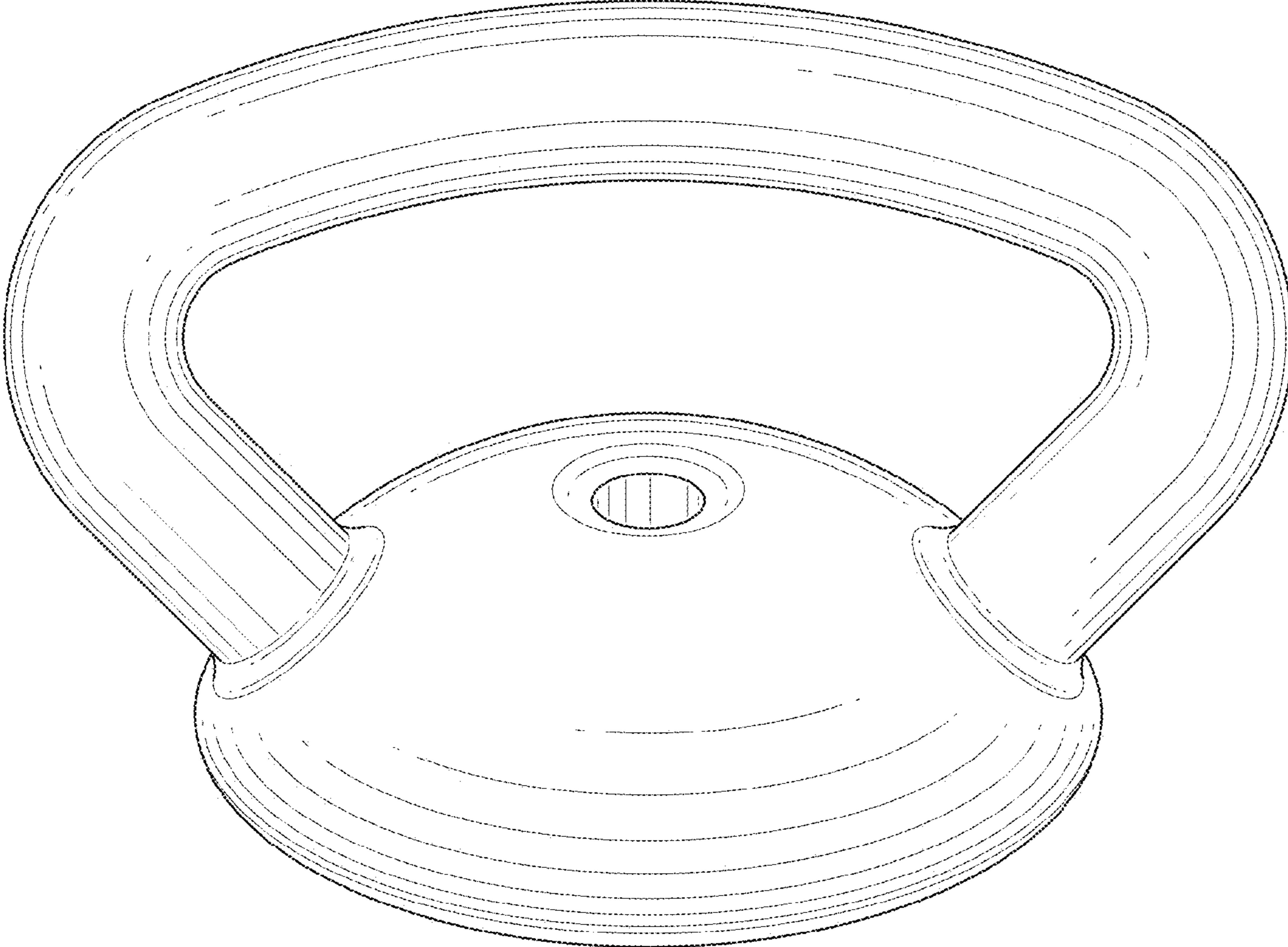


FIG. 1

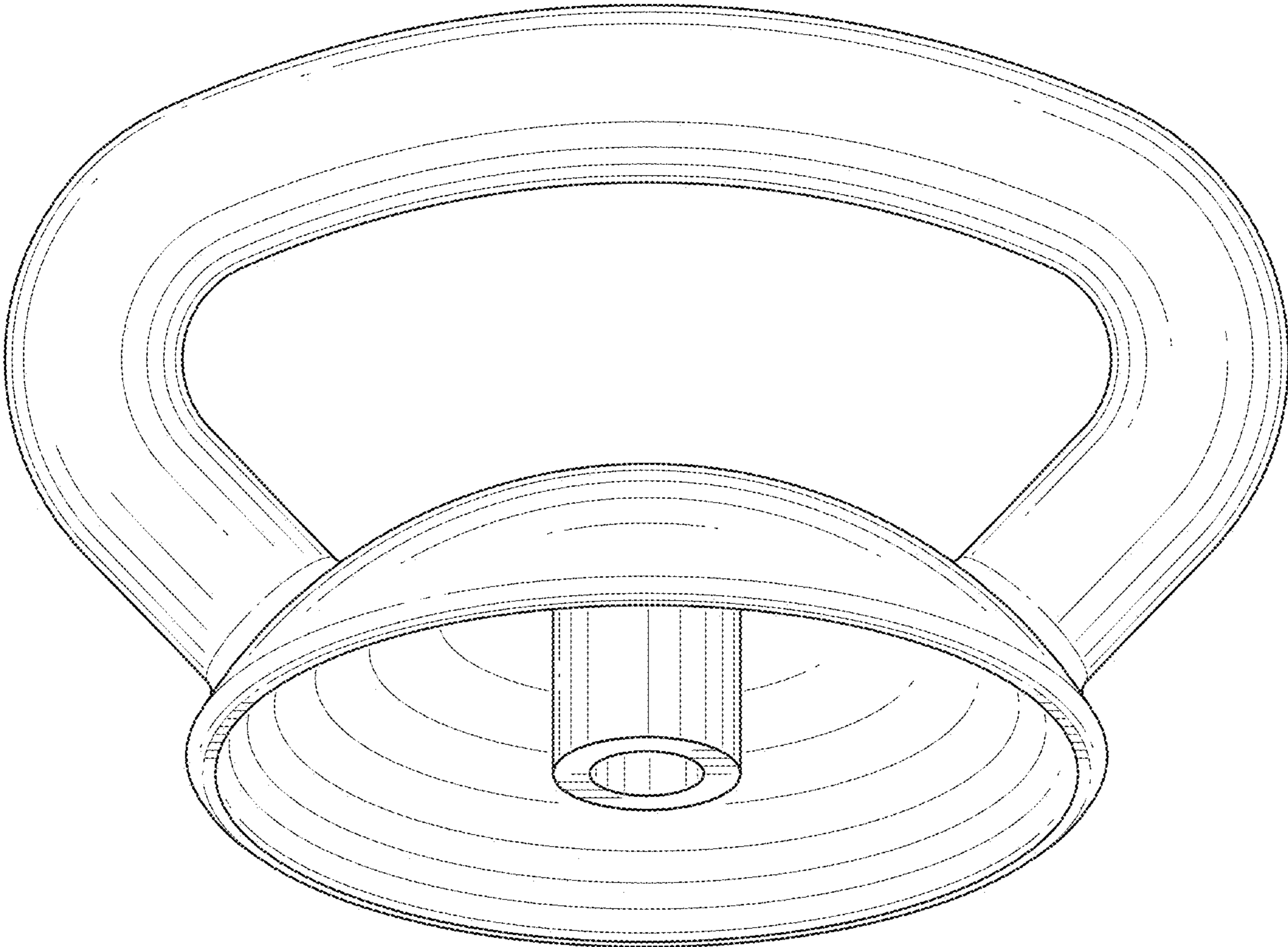


FIG. 2

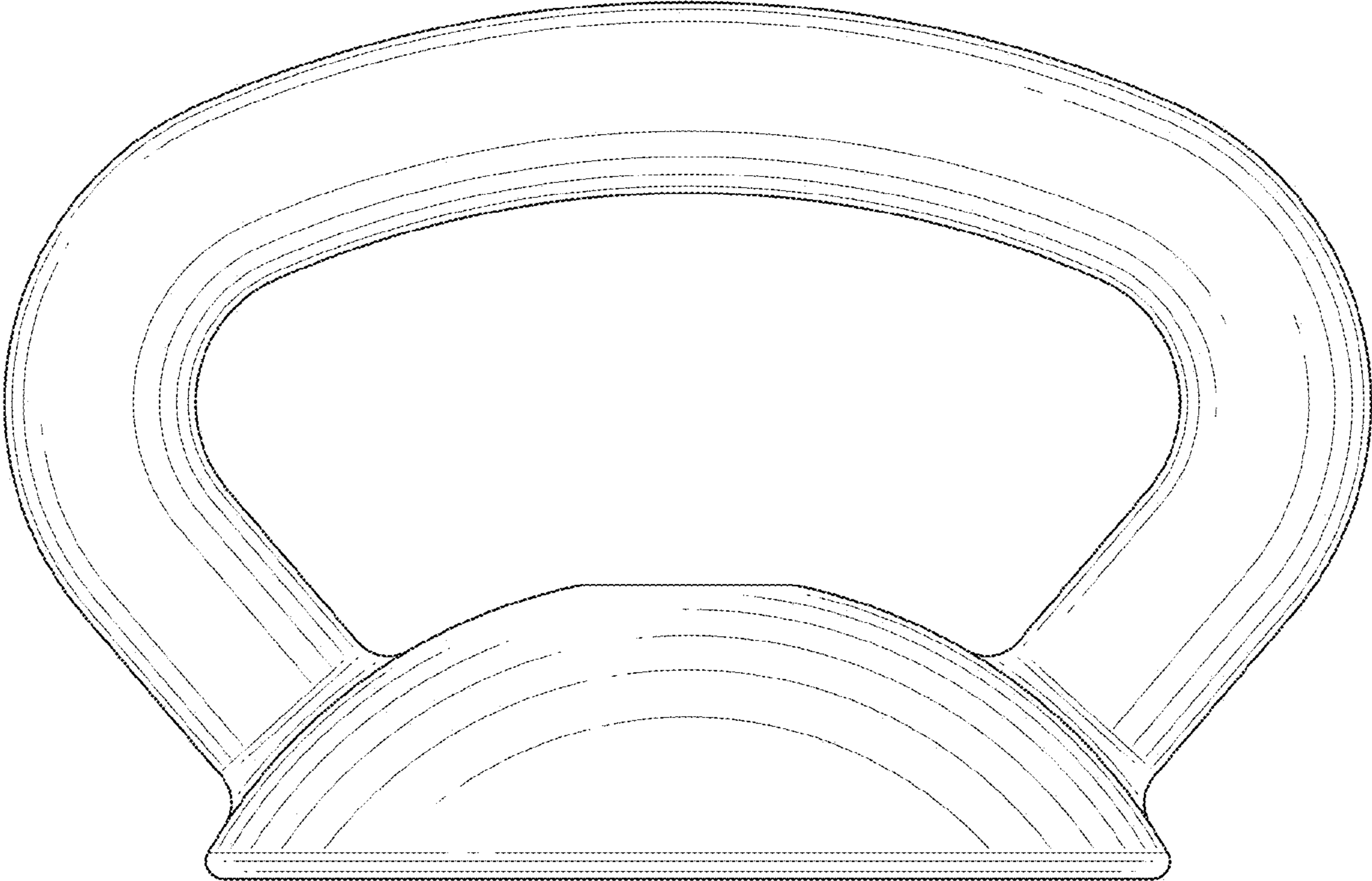


FIG. 3

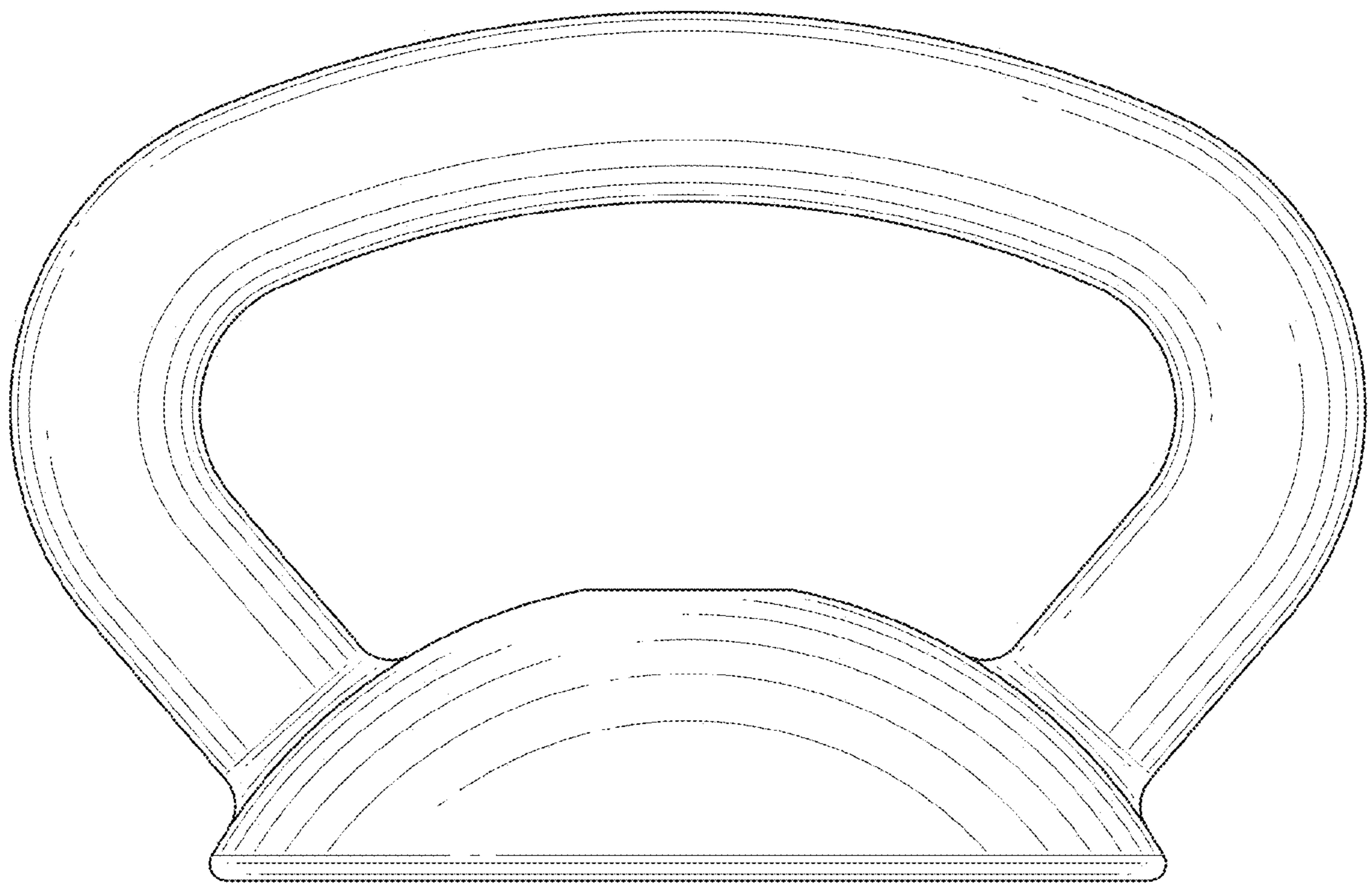


FIG. 4

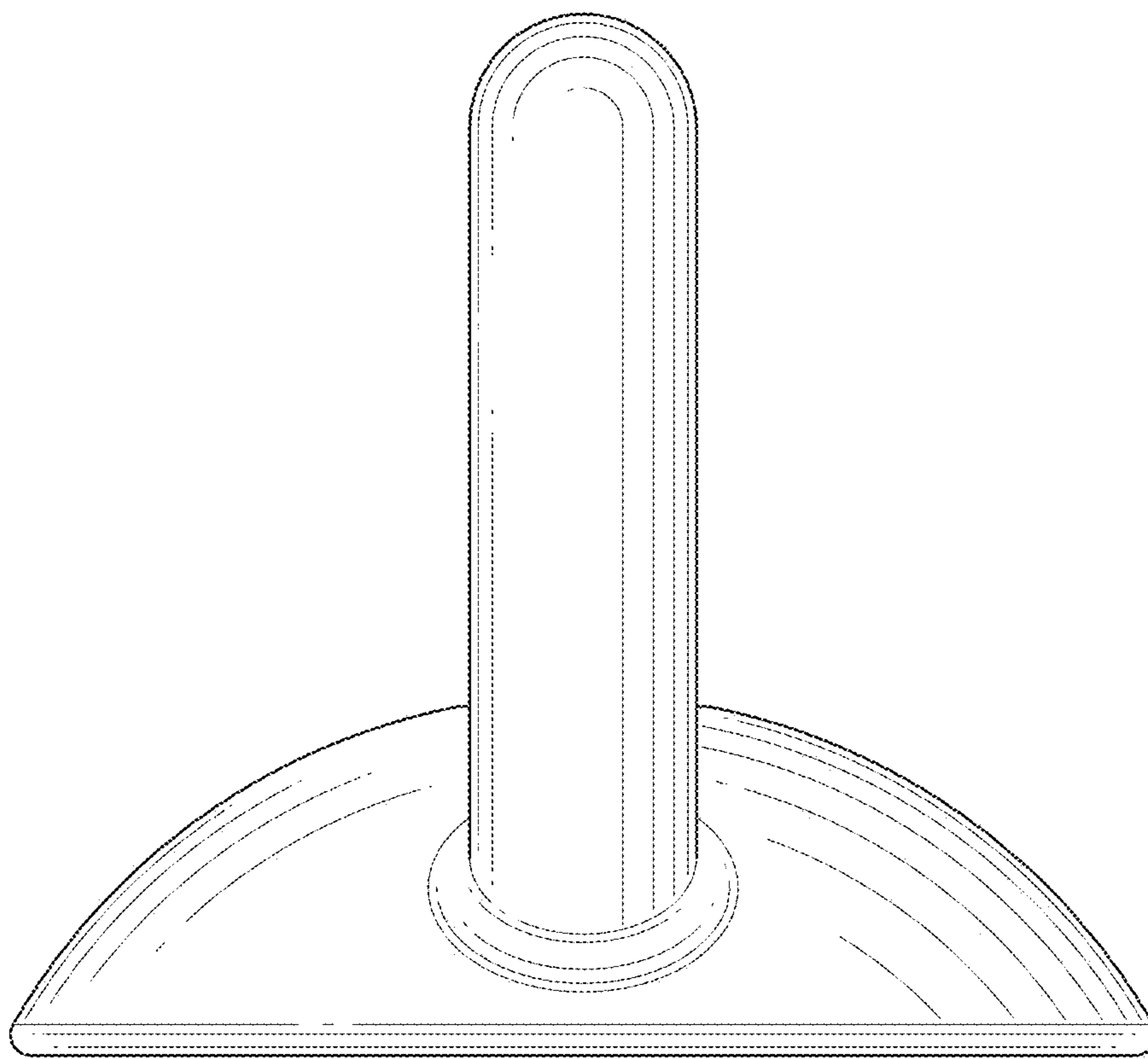


FIG. 5

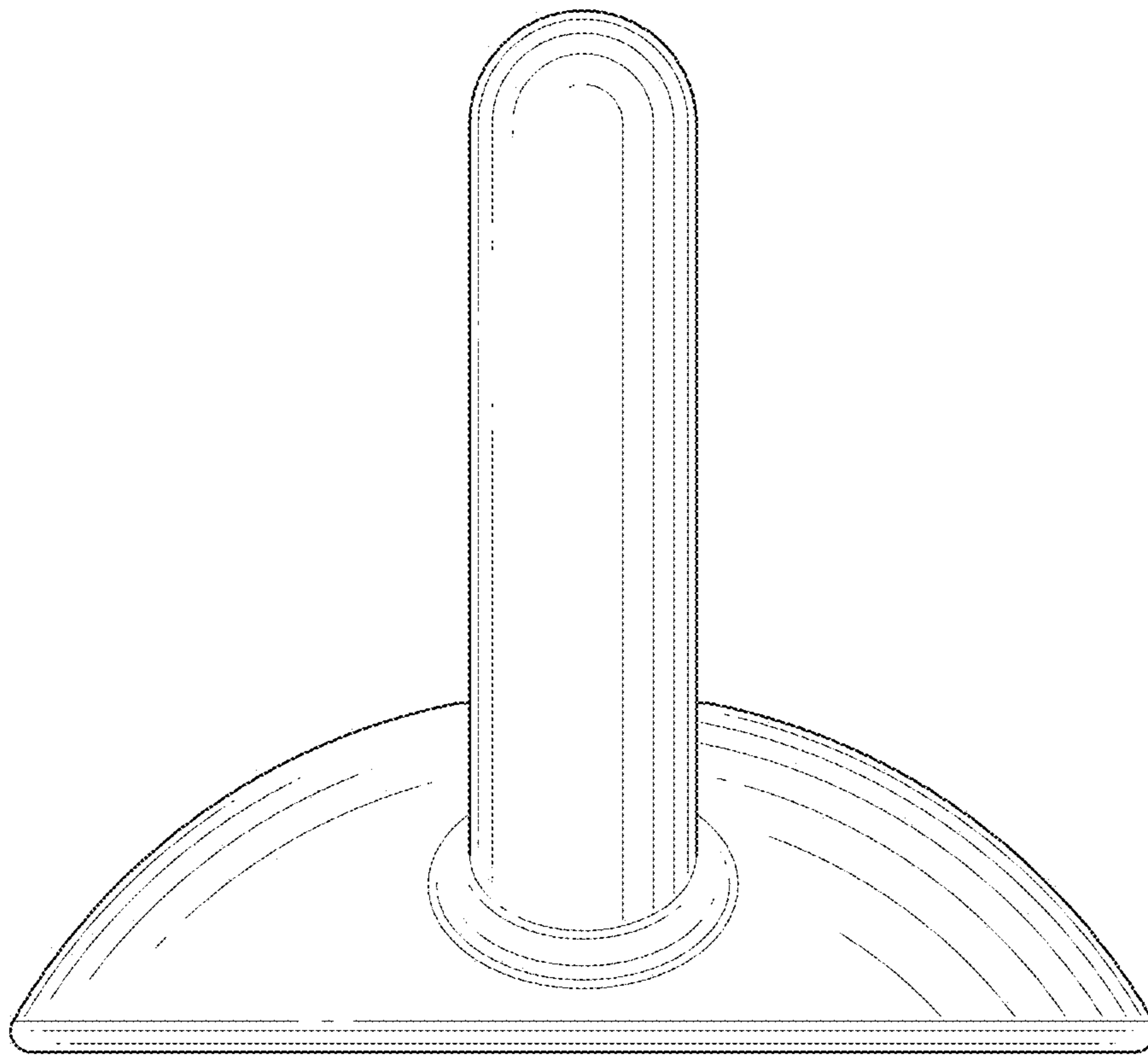


FIG. 6

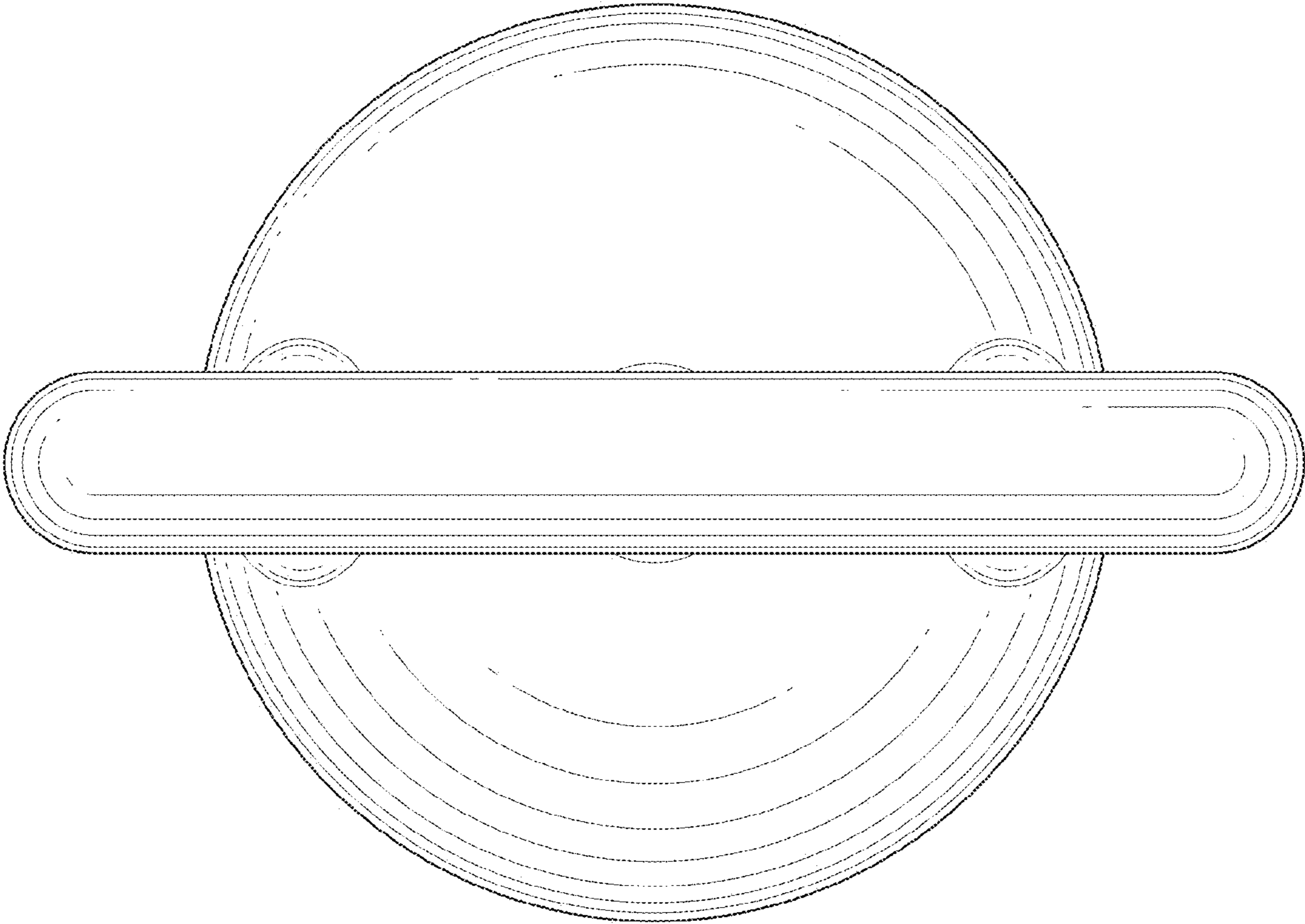


FIG. 7

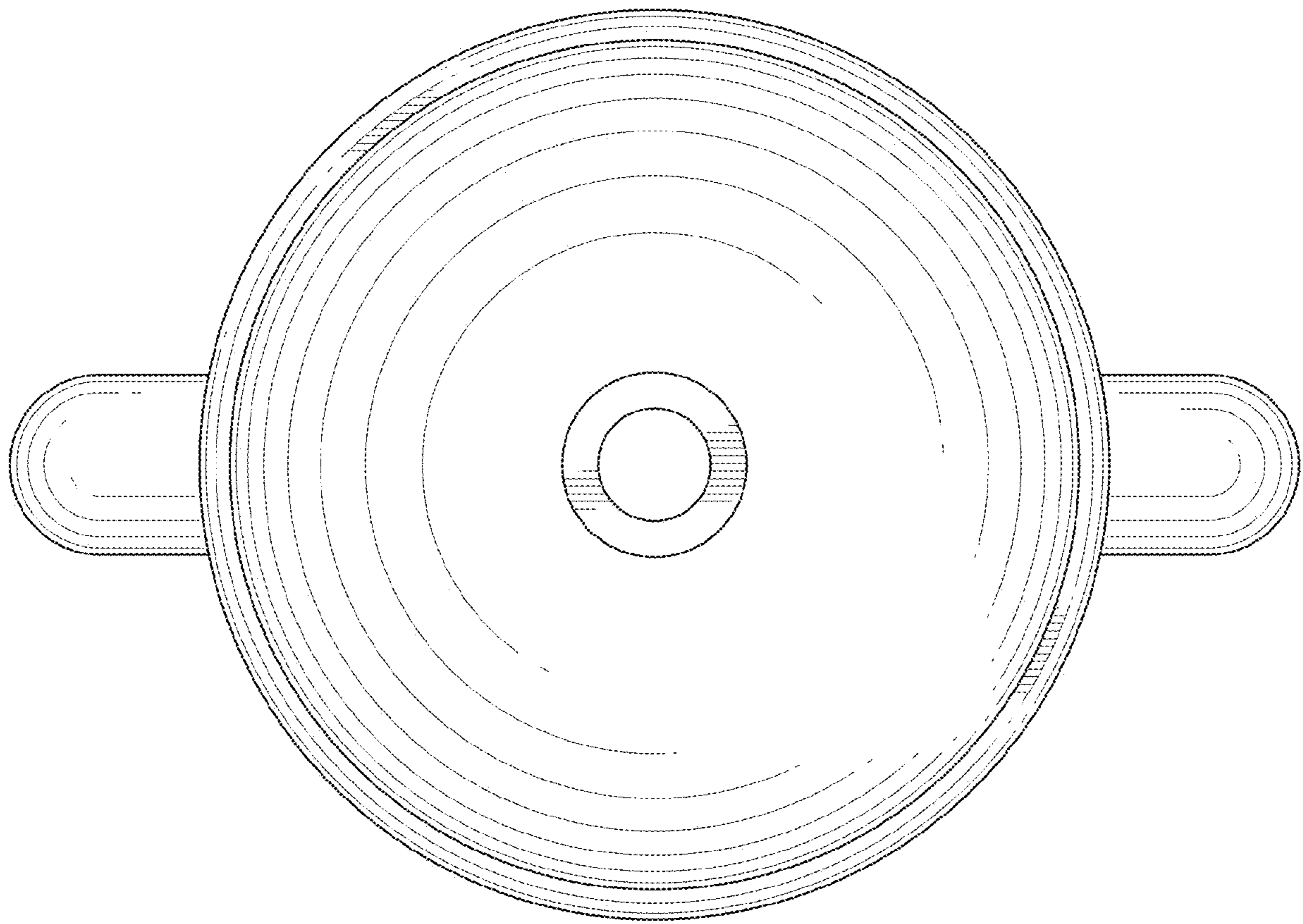


FIG. 8

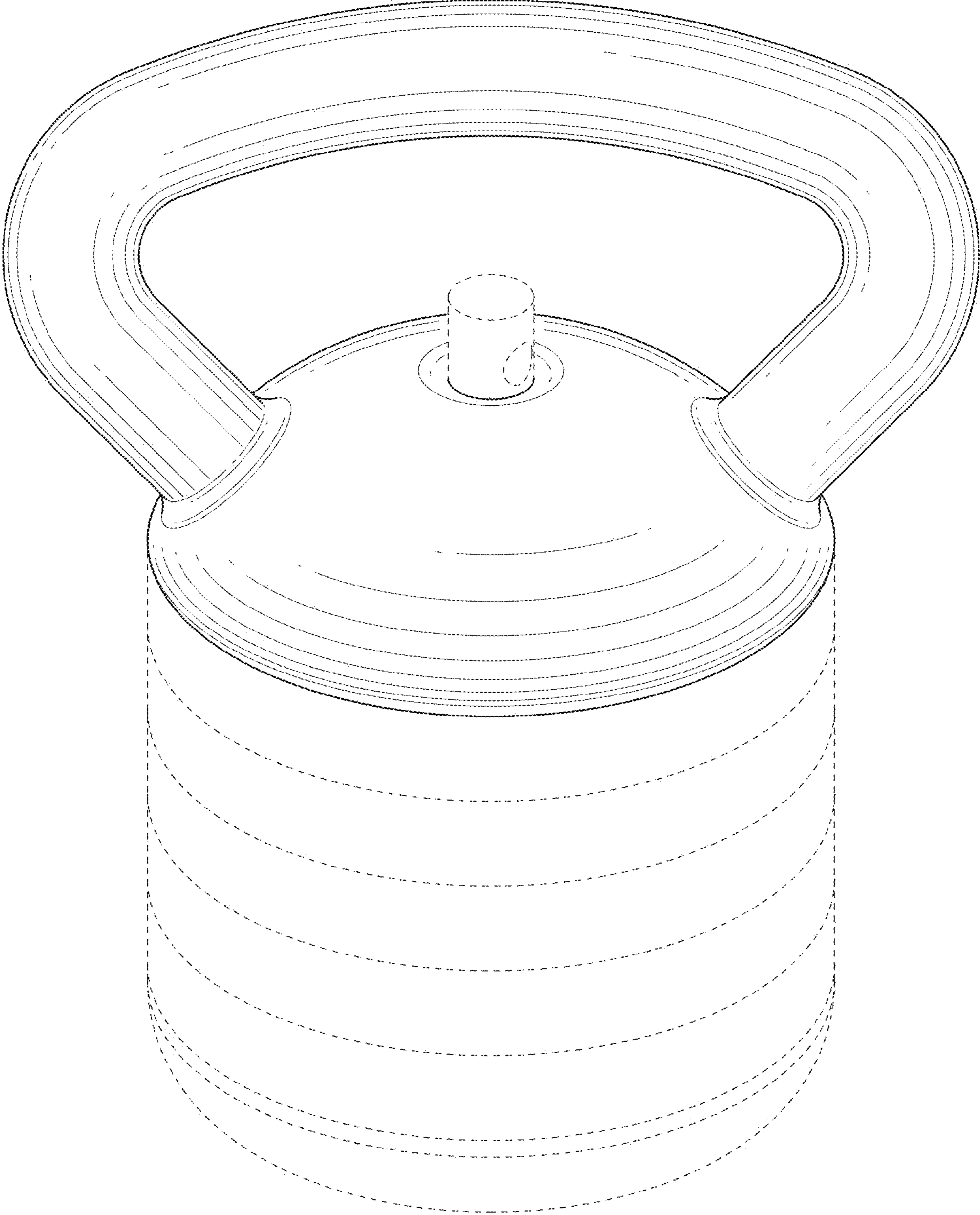


FIG. 9