



US00D976339S

(12) **United States Design Patent**
Li

(10) **Patent No.:** **US D976,339 S**
(45) **Date of Patent:** **** Jan. 24, 2023**

- (54) **PEDAL EXERCISER**
- (71) Applicant: **Shenzhen ESINO Technology Co., Ltd.**, Shenzhen (CN)
- (72) Inventor: **Chao Li**, Shenzhen (CN)
- (73) Assignee: **SHENZHEN ESINO TECHNOLOGY CO., LTD.**, Shenzhen (CN)
- (**) Term: **15 Years**
- (21) Appl. No.: **29/786,176**
- (22) Filed: **May 28, 2021**
- (30) **Foreign Application Priority Data**
Apr. 25, 2021 (CN) 202130240425.0
- (51) **LOC (14) Cl.** **21-02**
- (52) **U.S. Cl.**
USPC **D21/663**
- (58) **Field of Classification Search**
USPC D21/663, 666, 668, 670, 671, 685
CPC A63B 22/0605; A63B 22/0664; A63B 22/0694
See application file for complete search history.
- (56) **References Cited**
U.S. PATENT DOCUMENTS
D482,084 S * 11/2003 Yang D21/663
D482,416 S * 11/2003 Yang D21/663
D794,142 S * 8/2017 Zhou D21/663

D906,445 S * 12/2020 Colburn A63B 22/0664
D21/663
D940,797 S * 1/2022 Ach D21/663
D948,639 S * 4/2022 Ach D21/663

* cited by examiner

Primary Examiner — Gino Colan
Assistant Examiner — Gregory G McLemore
(74) *Attorney, Agent, or Firm* — Chun-Ming Shih;
Lanway IPR Services

(57) **CLAIM**

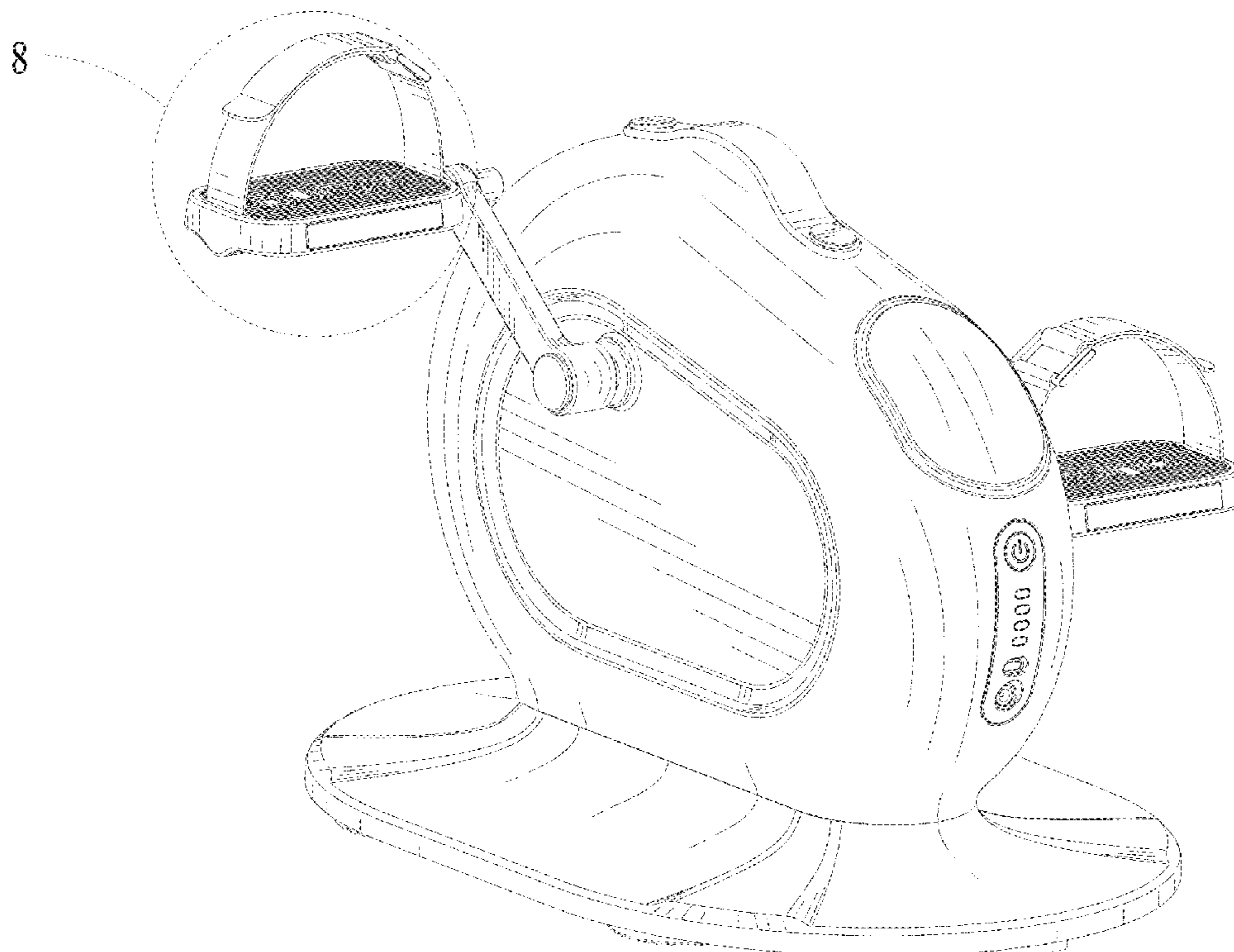
The ornamental design for a pedal exerciser, as shown and described.

DESCRIPTION

FIG. 1 is a perspective view of a pedal exerciser showing the new design;
FIG. 2 is a front view thereof;
FIG. 3 is a rear view thereof;
FIG. 4 is a left side elevational view thereof;
FIG. 5 is a right side elevational view thereof;
FIG. 6 is a top view thereof;
FIG. 7 is a bottom view thereof;
FIG. 8 is an enlarged perspective view of a portion in FIG. 1;
FIG. 9 is an enlarged perspective view of a portion in FIG. 2; and,
FIG. 10 is an enlarged perspective view of a portion in FIG. 6.

The broken lines shown in the figures are for the purpose of illustrating portions of the pedal exerciser and form no part of the claimed design.

1 Claim, 10 Drawing Sheets



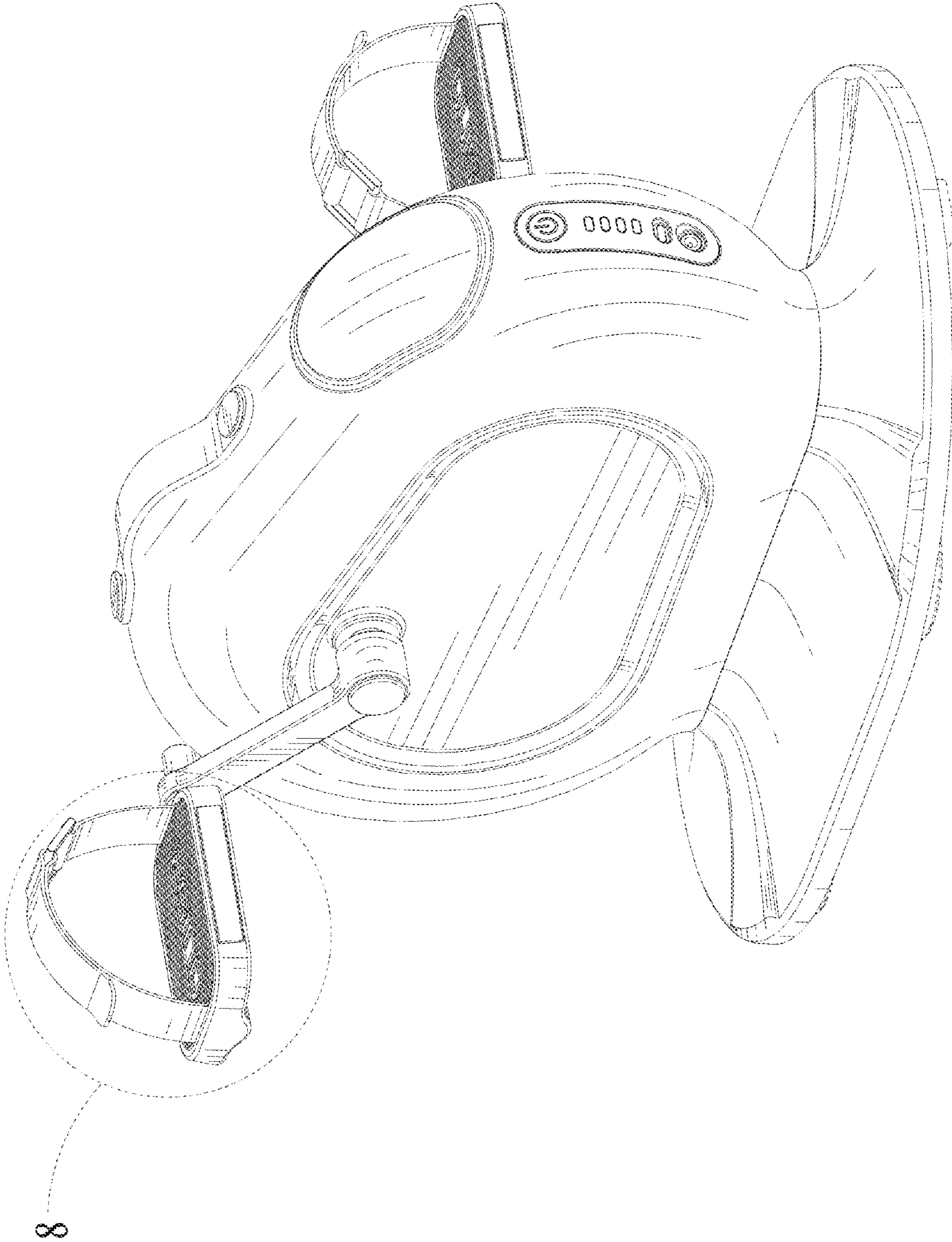


FIG. 1

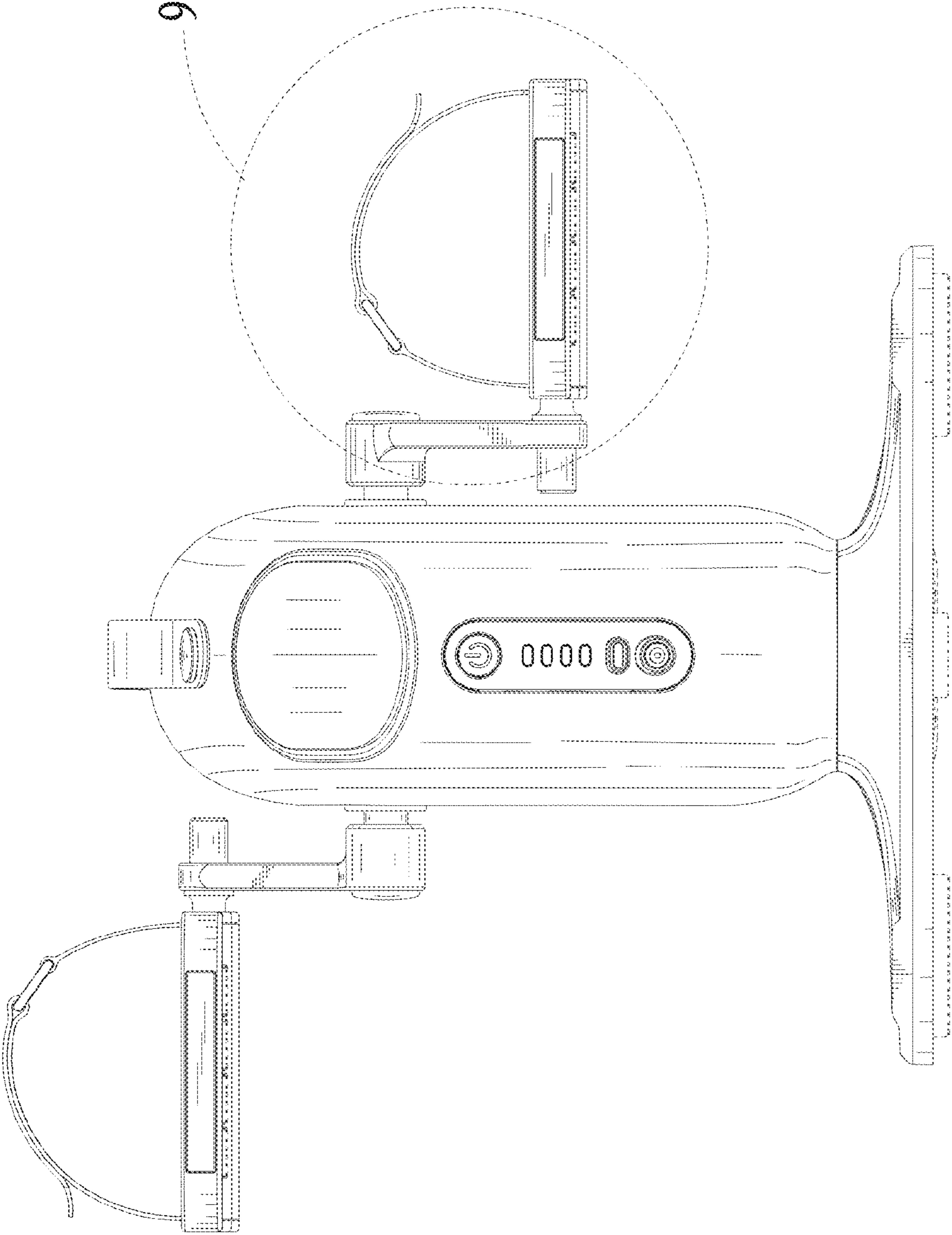


FIG. 2

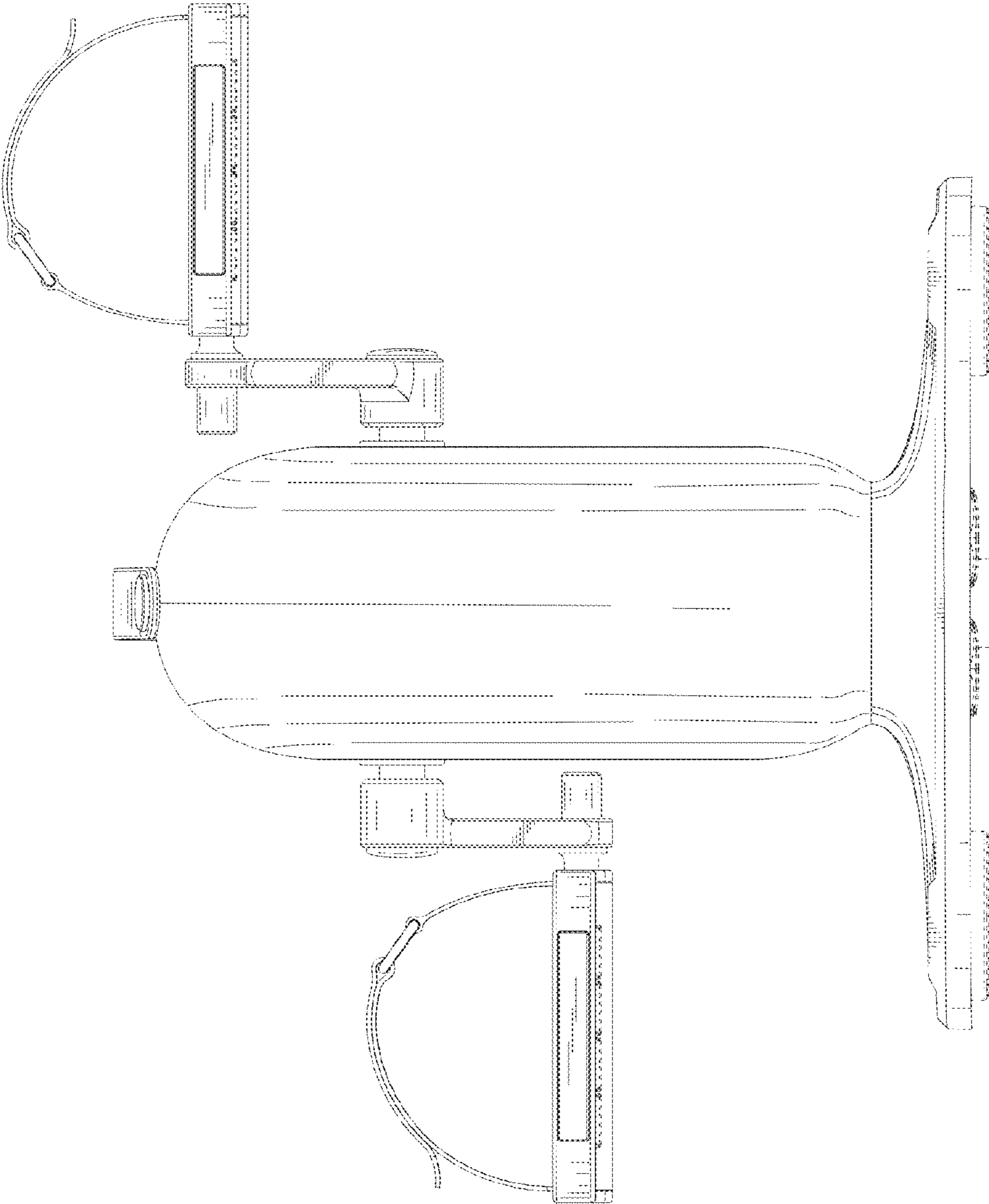


FIG. 3

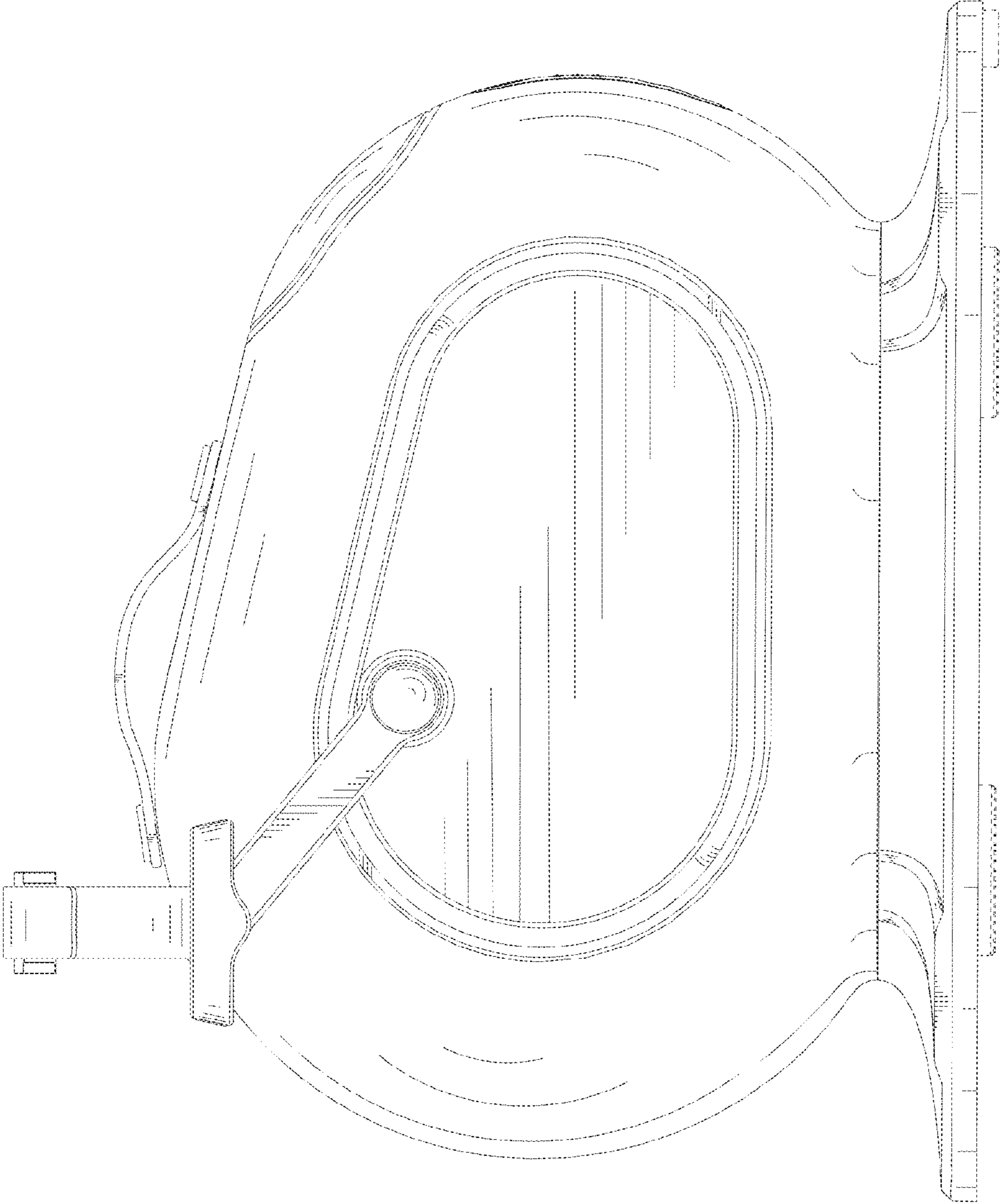


FIG. 4

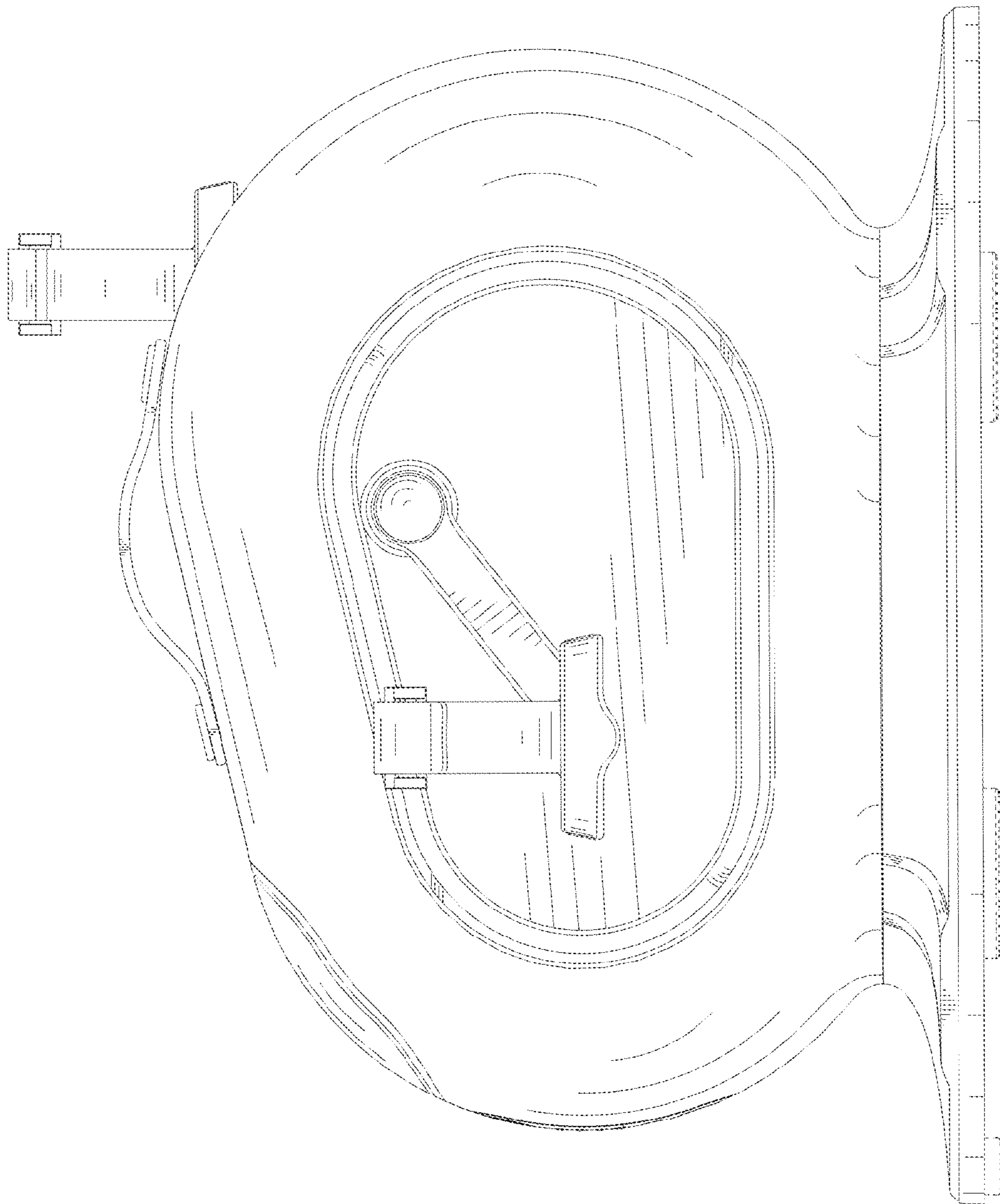


FIG. 5

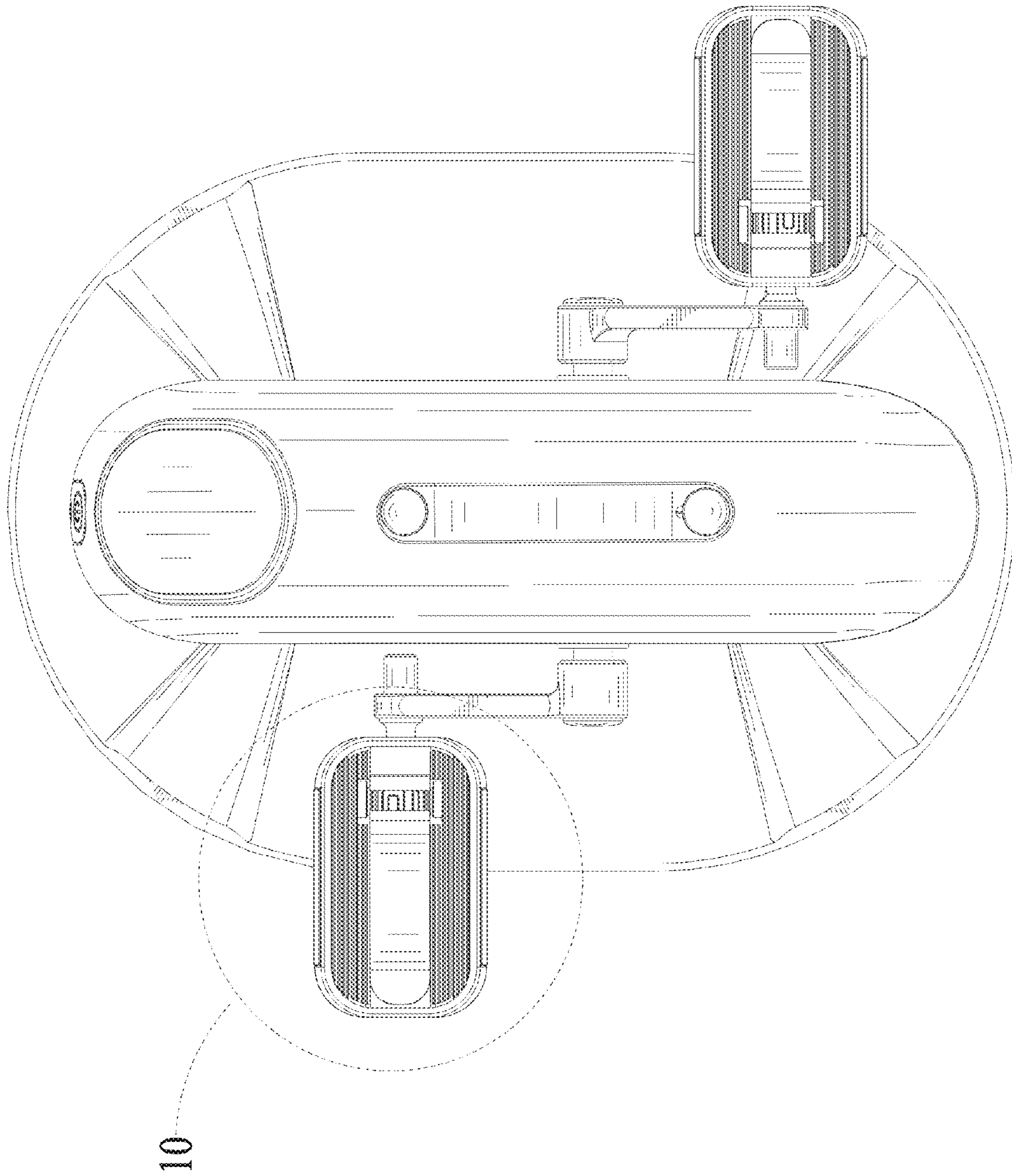


FIG. 6

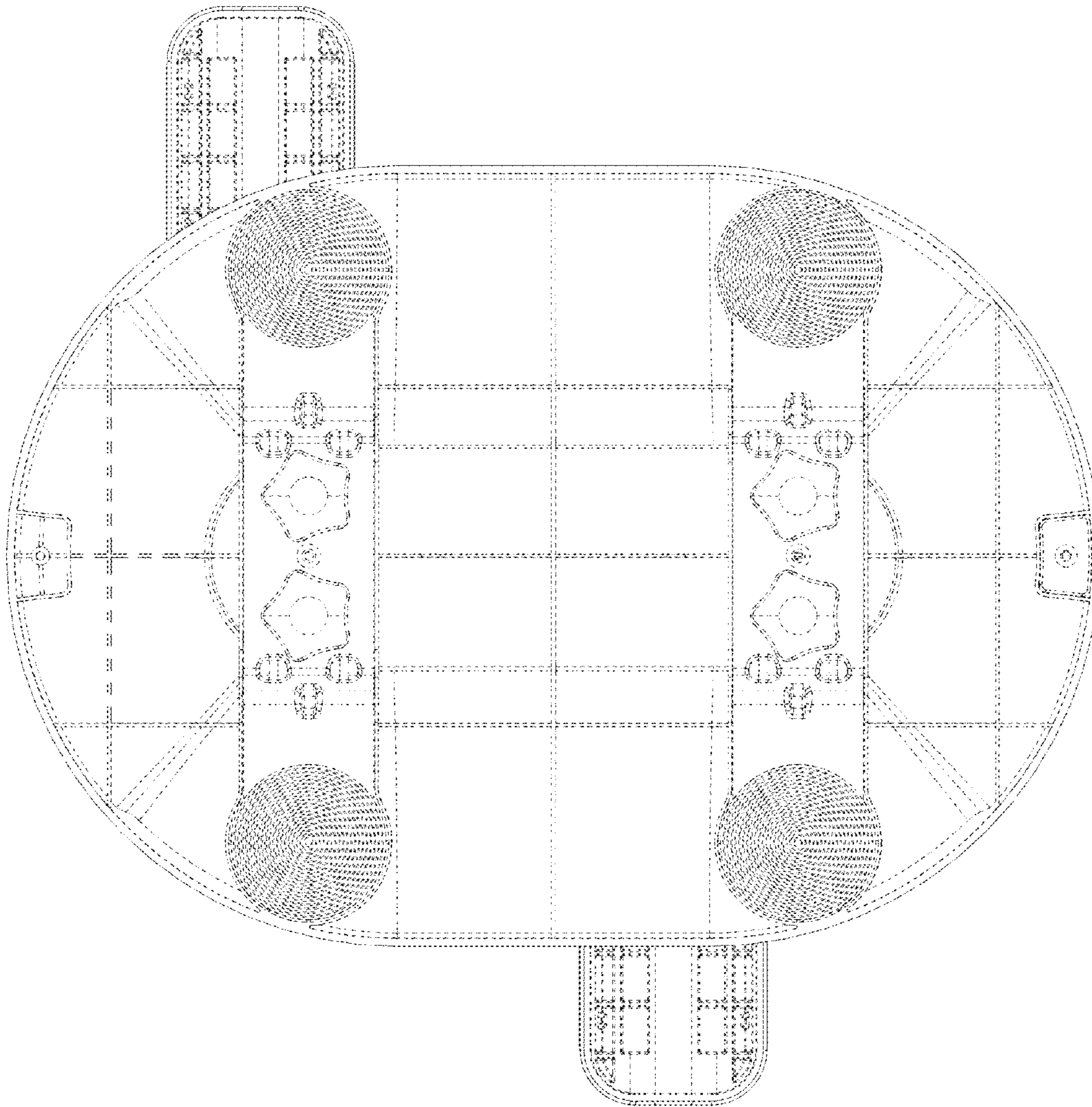


FIG. 7

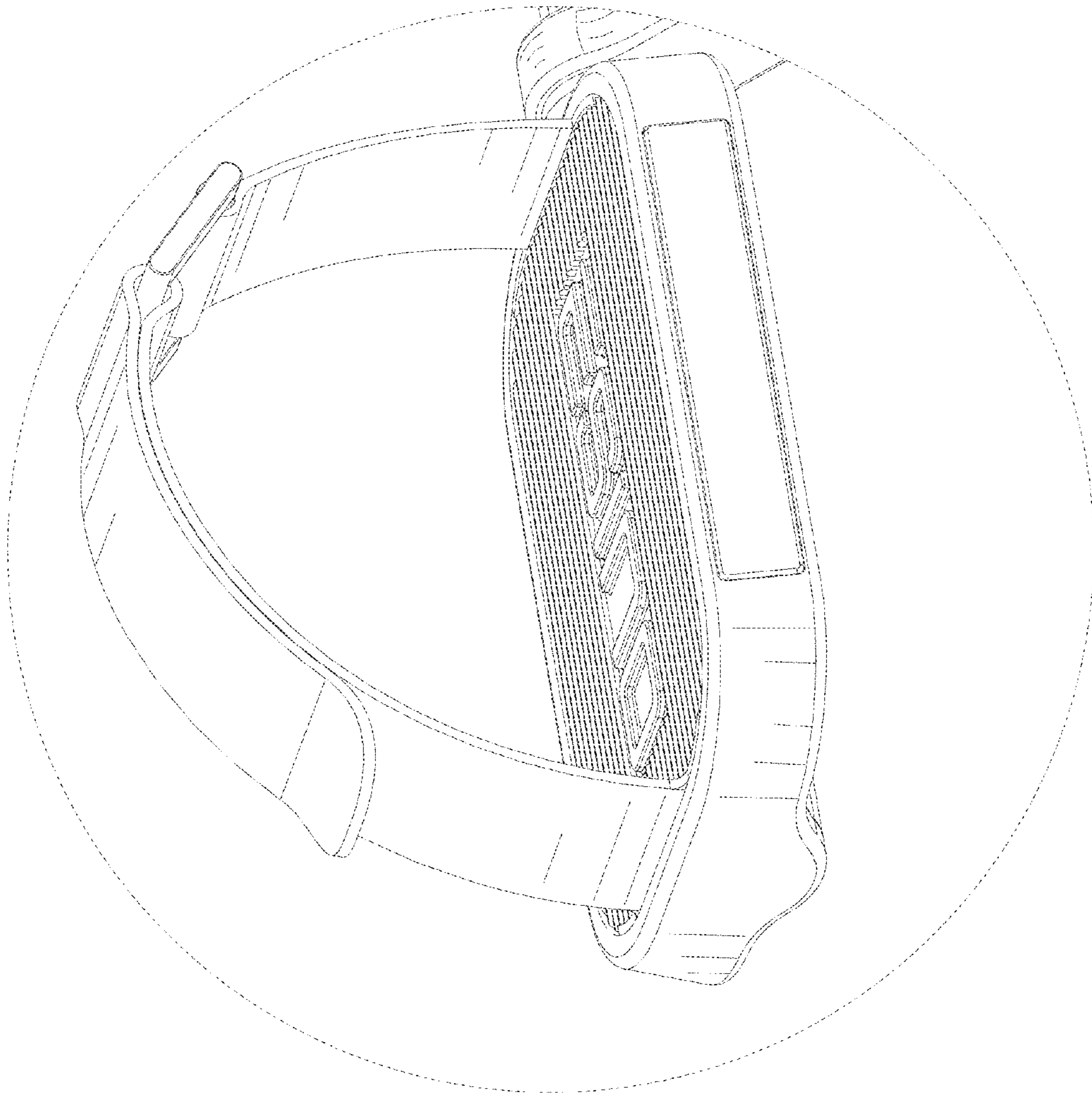


FIG. 8

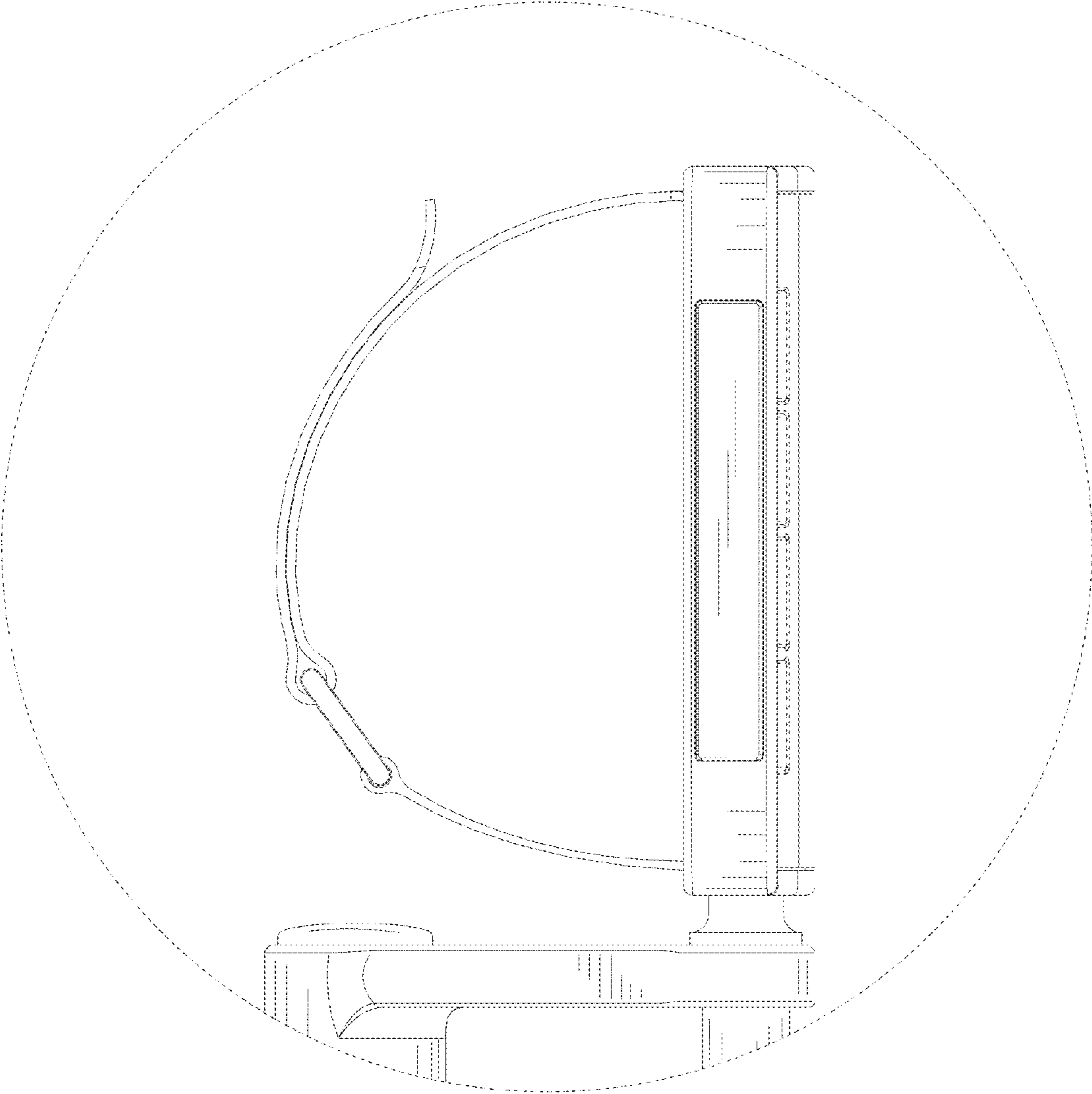


FIG. 9

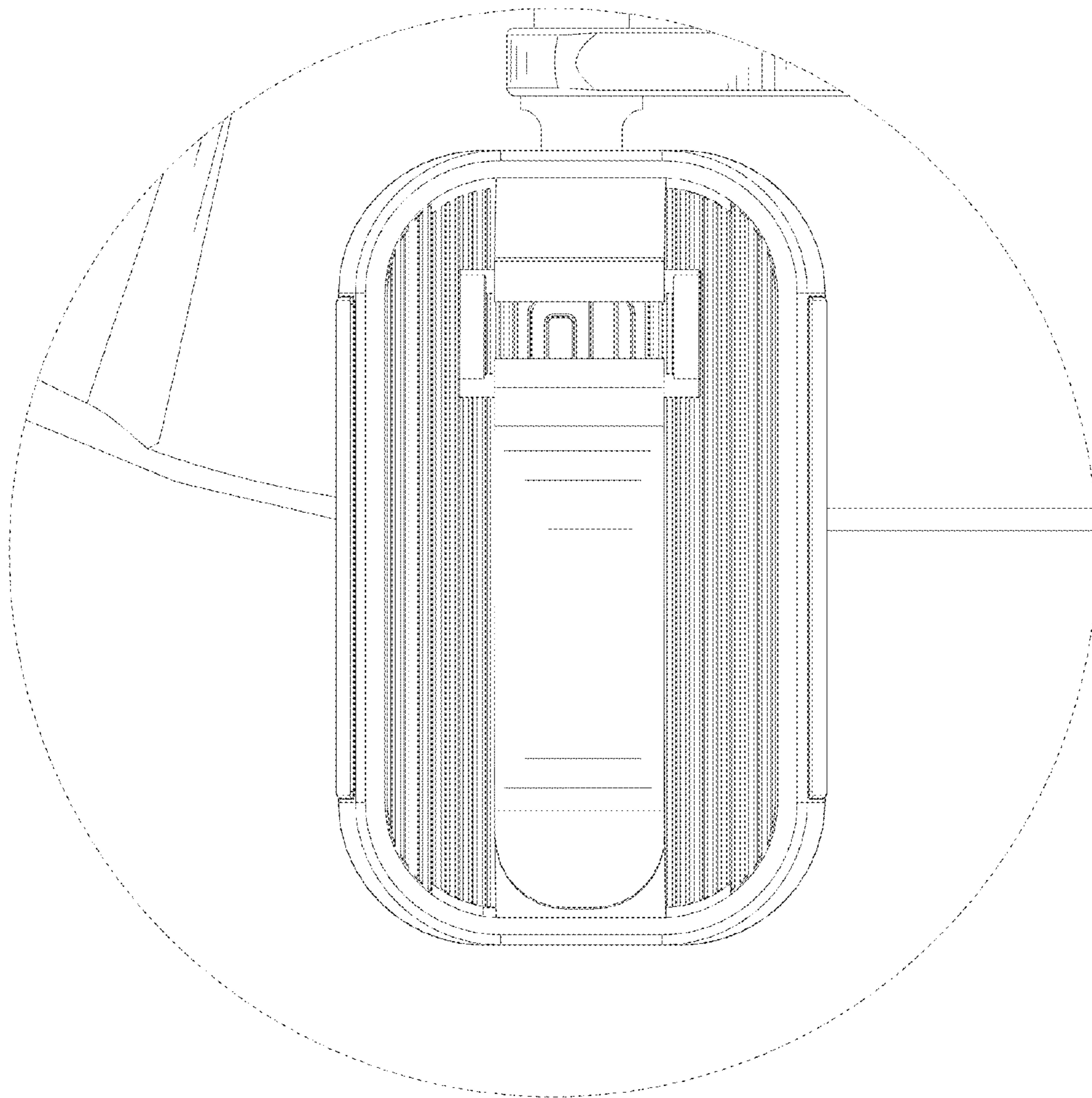


FIG. 10