



US00D976337S

(12) **United States Design Patent** (10) **Patent No.:** **US D976,337 S**  
**Ma** (45) **Date of Patent:** **\*\* Jan. 24, 2023**

(54) **TOY VEHICLE**

(74) *Attorney, Agent, or Firm* — Greenberg Traurig, LLP

(71) Applicant: **SLIS, Inc.**, Darien, IL (US)

(57) **CLAIM**

(72) Inventor: **Jiadong Ma**, Darien, IL (US)

The ornamental design for a toy vehicle, as shown and described.

(73) Assignee: **SLIS, Inc.**, Darien, IL (US)

(\*\*) Term: **15 Years**

**DESCRIPTION**

(21) Appl. No.: **29/778,921**

FIG. 1 is a perspective view of a toy vehicle having a straight tire and having my design;

(22) Filed: **Apr. 15, 2021**

FIG. 2 is a front view of the toy vehicle of FIG. 1;

(51) **LOC (14) Cl.** ..... **21-01**

FIG. 3 is a rear view of the toy vehicle of FIG. 1;

(52) **U.S. Cl.**

FIG. 4 is a left side view of the toy vehicle of FIG. 1;

USPC ..... **D21/561**; D21/533

FIG. 5 is a right side view of the toy vehicle of FIG. 1;

(58) **Field of Classification Search**

USPC ..... D21/537, 533, 552, 548, 424, 434, 419,  
D21/427, 433, 530, 539, 550, 551, 561,

FIG. 6 is a top view of the toy vehicle of FIG. 1;

(Continued)

FIG. 7 is a bottom view of the toy vehicle of FIG. 1;

(56) **References Cited**

FIG. 8 is a perspective view of a toy vehicle having a convex tire and having my design;

**U.S. PATENT DOCUMENTS**

830,087 A 9/1906 Loomis  
885,517 A 4/1908 Prescott

(Continued)

FIG. 9 is a front view of the toy vehicle of FIG. 8;

**FOREIGN PATENT DOCUMENTS**

CA 172579 3/2018  
CN 3517170 \* 4/2006

(Continued)

FIG. 10 is a rear view of the toy vehicle of FIG. 8;

**OTHER PUBLICATIONS**

“Mattel’s Hot Wheels Mars Rover Curiosity,” 2012, collectspace.com, site visited Dec. 9, 2021, URL: <http://www.collectspace.com/news/news-080112b.html> (Year: 2012).\*

(Continued)

FIG. 11 is a left side view of the toy vehicle of FIG. 8;

FIG. 12 is a right side view of the toy vehicle of FIG. 8;

FIG. 13 is a top view of the toy vehicle of FIG. 8;

FIG. 14 is a bottom view of the toy vehicle of FIG. 8;

FIG. 15 is a rear view of a third embodiment of a toy vehicle illustrating an environmental tread applied to a straight tire as shown in FIGS. 1-7;

FIG. 16 is a rear view of a fourth embodiment of a toy vehicle illustrating an environmental tread applied to a straight tire as shown in FIGS. 1-7;

FIG. 17 is a rear view of a fifth embodiment of toy vehicle illustrating an environmental tread applied to a straight tire as shown in FIGS. 1-7;

FIG. 18 is a rear view of a sixth embodiment of a toy vehicle illustrating an environmental tread applied to a straight tire as shown in FIGS. 1-7;

FIG. 19 is a rear view of a seventh embodiment of a toy vehicle illustrating an environmental tread applied to a straight tire as shown in FIGS. 1-7;

FIG. 20 is a rear view of an eighth embodiment of a toy vehicle illustrating an environmental tread applied to a straight tire as shown in FIGS. 1-7;

(Continued)

*Primary Examiner* — Eric L Goodman

*Assistant Examiner* — Sarah L Smith

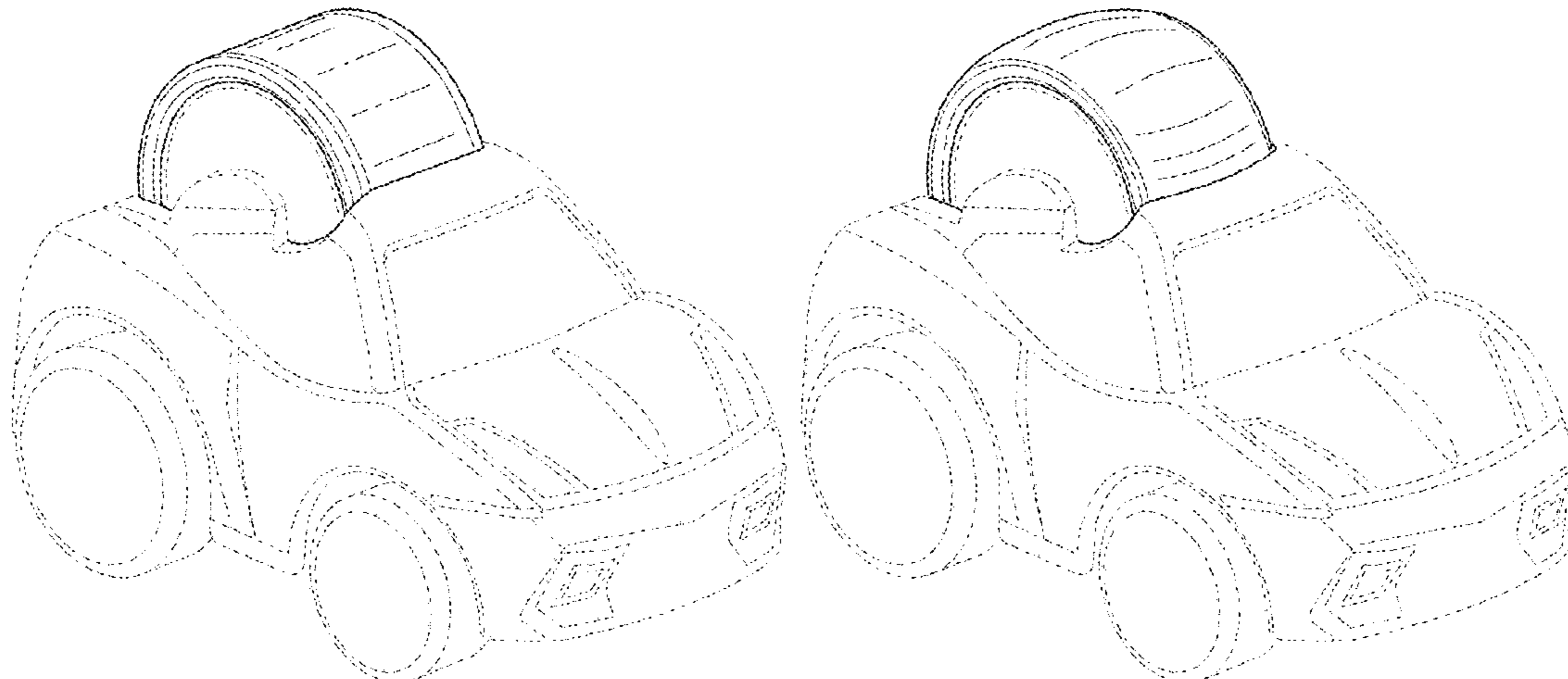


FIG. 21 is a left side view of a toy vehicle illustrating, but not claiming, an environmental wheel applied to a convex tire as shown in FIGS. 8-14; and,

FIG. 22 is a right side view of a toy vehicle illustrating, but not claiming, an environmental wheel applied to a convex tire as shown in FIGS. 8-14.

Features shown in dashed lines are features of the toy vehicle that form no part of the design claimed.

**1 Claim, 22 Drawing Sheets**

**(58) Field of Classification Search**

USPC ..... D21/562, 549; D12/12, 82, 83, 84, 86, D12/87, 88, 91

CPC .. B60L 8/00; A63H 7/04; A63H 11/12; A63H 17/00; A63H 17/25; B62M 1/00; B60G 21/00; B60G 7/00; B60G 11/00; B60G 2800/00; B62K 3/005; B62K 3/002; B62K 3/16

See application file for complete search history.

**(56) References Cited**

**U.S. PATENT DOCUMENTS**

|           |      |         |                 |                        |
|-----------|------|---------|-----------------|------------------------|
| 1,136,854 | A    | 4/1915  | Wechsler        |                        |
| 1,350,881 | A    | 8/1920  | Pfunder         |                        |
| 1,359,081 | A    | 11/1920 | Lipps           |                        |
| D92,193   | S    | 5/1934  | Nelson          |                        |
| 2,568,557 | A *  | 9/1951  | Newbery         | A63H 33/108<br>446/94  |
| D217,874  | S *  | 6/1970  | French          | D21/763                |
| 3,698,125 | A    | 10/1972 | Hartling et al. |                        |
| D241,262  | S    | 8/1976  | Kuna            |                        |
| D282,476  | S *  | 2/1986  | Arigaya         | D21/548                |
| D282,677  | S *  | 2/1986  | Arigaya         | D21/562                |
| D283,235  | S *  | 4/1986  | Arigaya         | D21/562                |
| D318,698  | S    | 7/1991  | Roann           |                        |
| D336,936  | S    | 6/1993  | Shiraishi       |                        |
| 5,413,518 | A    | 5/1995  | Lin             |                        |
| D364,657  | S    | 11/1995 | Schmidt et al.  |                        |
| D381,710  | S    | 7/1997  | Kato            |                        |
| 5,667,420 | A *  | 9/1997  | Menow           | A63H 17/004<br>180/22  |
| D390,890  | S *  | 2/1998  | Lun             | D21/550                |
| D412,542  | S    | 8/1999  | Lun             |                        |
| 6,129,607 | A *  | 10/2000 | Hoeting         | A63H 17/004<br>446/396 |
| 6,171,171 | B1 * | 1/2001  | Barthold        | A63H 17/28<br>446/219  |
| 6,394,878 | B1 * | 5/2002  | Wang            | A63H 17/262<br>446/454 |
| D458,314  | S    | 6/2002  | Allemeier       |                        |
| 6,902,464 | B1   | 6/2005  | Lee             |                        |
| D574,296  | S *  | 8/2008  | Keski-Luopa     | D12/85                 |
| D597,151  | S *  | 7/2009  | Ishikawa        | D21/562                |
| D677,345  | S *  | 3/2013  | Isted           | D21/551                |
| D771,201  | S *  | 11/2016 | Tompkin         | A63H 17/28<br>D21/550  |
| D803,329  | S *  | 11/2017 | Tompkin         | A63H 17/004<br>D21/550 |
| D825,685  | S *  | 8/2018  | Tompkin         | A63H 17/262<br>D21/550 |
| D834,110  | S *  | 11/2018 | Tompkin         | D21/550                |
| D868,172  | S *  | 11/2019 | Jin             | A63H 33/108<br>446/94  |

|              |      |         |                 |                        |
|--------------|------|---------|-----------------|------------------------|
| D868,905     | S *  | 12/2019 | Tompkin         | D21/763                |
| D870,206     | S    | 12/2019 | Reuckheim       |                        |
| D870,211     | S *  | 12/2019 | Wozniak         | A63H 17/28             |
| D880,391     | S    | 4/2020  | Liu             |                        |
| D915,469     | S    | 4/2021  | Ninomiya et al. |                        |
| D923,110     | S *  | 6/2021  | Gamble          | D21/548                |
| 2001/0044255 | A1 * | 11/2001 | Lee             | A63H 17/004<br>446/469 |
| 2002/0137428 | A1 * | 9/2002  | Tilbor          | A63H 17/262<br>446/465 |
| 2012/0241239 | A1 * | 9/2012  | Holroyd         | B60K 5/02<br>180/210   |
| 2015/0130160 | A1   | 5/2015  | Li              |                        |
| 2017/0036127 | A1 * | 2/2017  | Wang            | A63H 17/28             |
| 2020/0368629 | A1 * | 11/2020 | Moss            | A63H 17/21<br>D21/562  |

**FOREIGN PATENT DOCUMENTS**

|    |               |           |        |             |
|----|---------------|-----------|--------|-------------|
| CN | 303529072     | 12/2015   |        |             |
| CN | 303889324     | * 10/2016 |        | A63H 17/262 |
| CN | 304920164     | 11/2018   |        |             |
| CN | 304981539     | * 1/2019  |        | A63H 17/26  |
| EP | 1074286 A2    | * 2/2001  |        | A63H 17/262 |
| EP | 1074286 A2    | 2/2001    |        |             |
| WO | WO-2015088082 | A1 *      | 6/2015 | A63H 17/26  |

**OTHER PUBLICATIONS**

“Stator Ride,” Mar. 25, 2017, youtube.com, site visited Dec. 9, 2021, URL: <https://www.youtube.com/watch?v=d5Nf9TMrLJw> (Year: 2017).\*

Wahid Ooi Abdullah, “Skinny vs. Fat: Does Tyre Width Matter?” Jun. 6, 2018, bikesrepublic.com, site visited, Dec. 9, 2021, URL: <https://www.bikesrepublic.com/featured/skinny-vs-fat-tyre-width-matter/> (Year: 2018).\*

Devin Connors, “Rocket League’s First Hot Wheels Car Has Arrived,” Dec. 18, 2018, rocketleague.com, site visited Dec. 9, 2021, URL: <https://www.rocketleague.com/news/rocket-league-hot-wheels-toy/> (Year: 2018).\*

Missy Sullivan, “These Vintage Hot Wheels Toys Are Worth Thousands of Dollars,” article updated Jul. 1, 2019, 1970 Maverick Hot Wheels/TopperToys, history.com, site visited Dec. 9, 2021, URL: <https://www.history.com/news/hot-wheels-most-collectible-valuable> (Year: 2019).\*

“Alomejor RC Tires RC Wheel Hub Drift Tires,” Mar. 19, 2021, amazon.com, site visited Dec. 9, 2021, URL: <https://www.amazon.com/dp/B08ZJG45N9/> (Year: 2021).\*

United States Patent and Trademark Office, Non-Final Office Action issued in U.S. Appl. No. 29/732,594, dated Nov. 23, 2021, 6 pgs. Morgan A. McDougald et al., “Experimental Studies on Traction Concepts: Endurance and Obstacle Testing,” Aug. 2013, researchgate.net, site visited Nov. 10, 2021, URL: <https://www.researchgate.net/figure/Concave-wheel-profile-The-main-objectives-of-the-three-prototypes-created-were-to-improve-fi> (Year: 2013).

“Kikkerland Zecar Windup,” Jul. 18, 2015 (Q&A), amazon.com, site visited Nov. 9, 2021, URL: <https://www.amazon.com/Kikkerland-1589-Zecar-Windup/dp/B000L2JVKW/> (Year: 2015).

“Green Rubber Kennedy AG,” Sep. 11, 2018, facebook.com, site visited Nov. 10, 2021, URL: <https://www.facebook.com/grka2003/photos/1818018698234729> (Year: 2018).

“Sgile Stunt Car Racing RC Rechargeable 5 Rounds 360 Spin Review,” Nov. 14, 2016, youtube.com, site visited Nov. 10, 2021, URL: <https://www.youtube.com/watch?v=t76BDi701xk> (Year: 2016).

United States Patent and Trademark Office, Final Office Action issued in U.S. Appl. No. 29/732,594, dated Jun. 10, 2022, 8 pgs.

\* cited by examiner

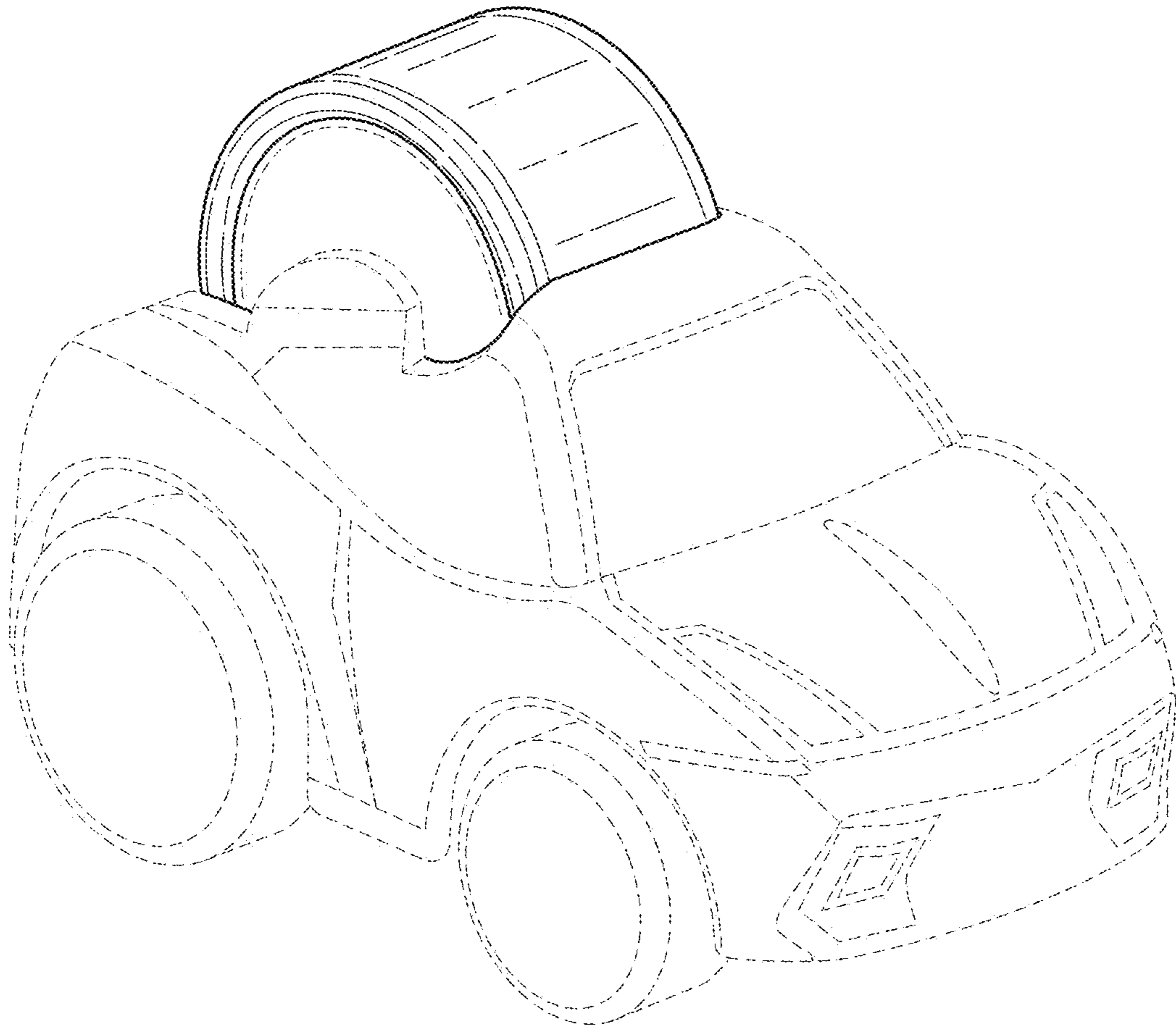


FIG. 1

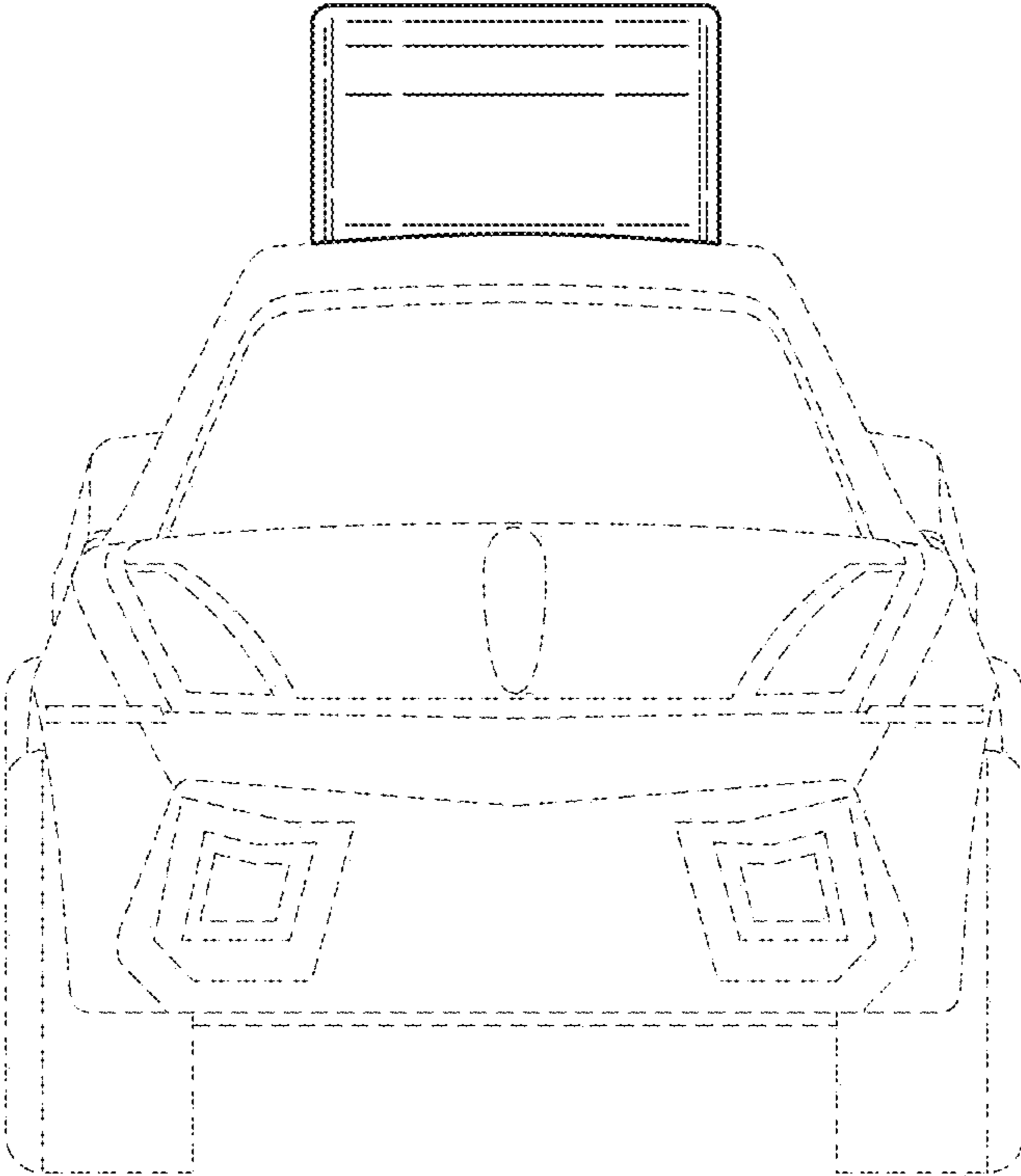


FIG. 2

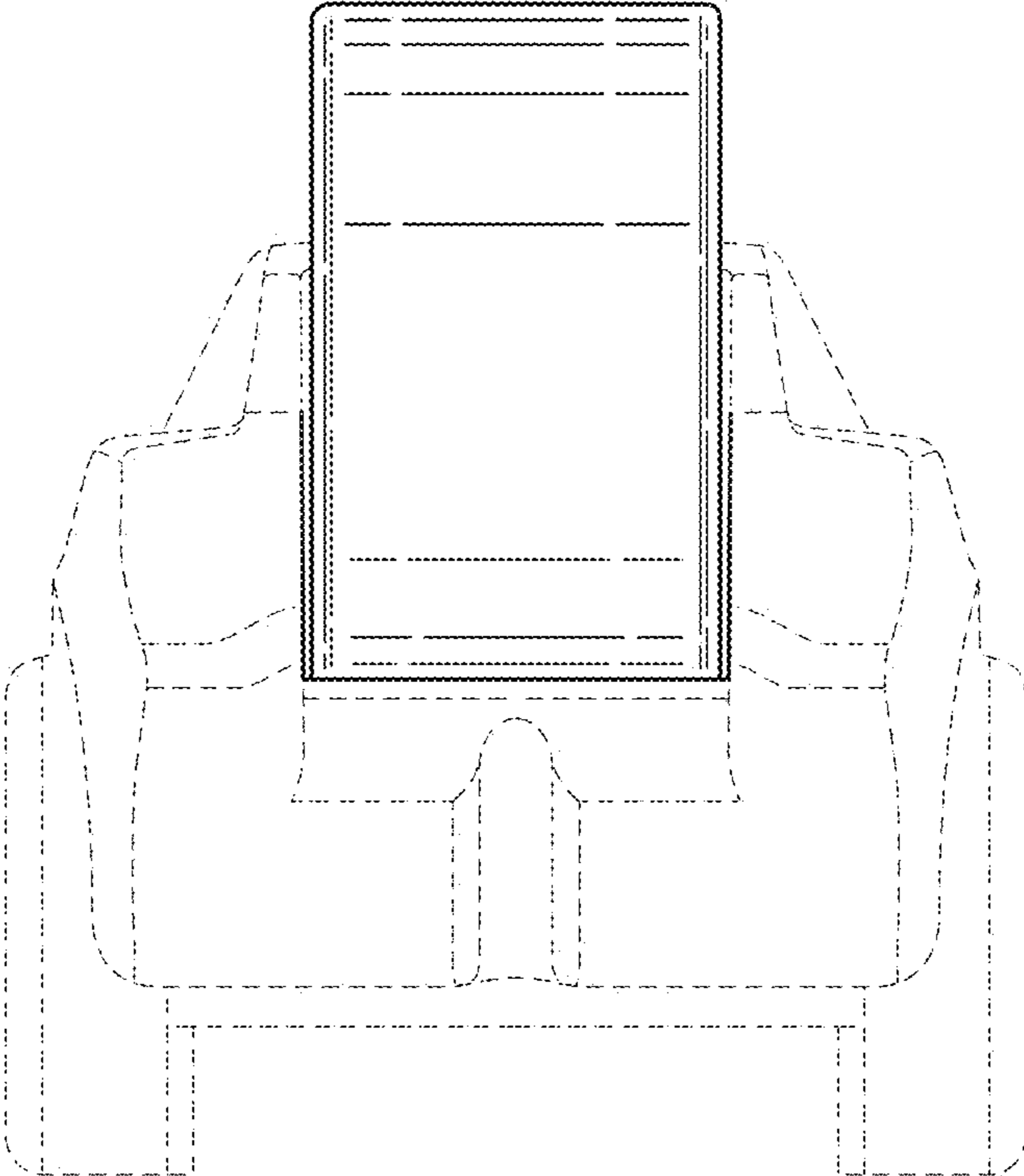


FIG. 3

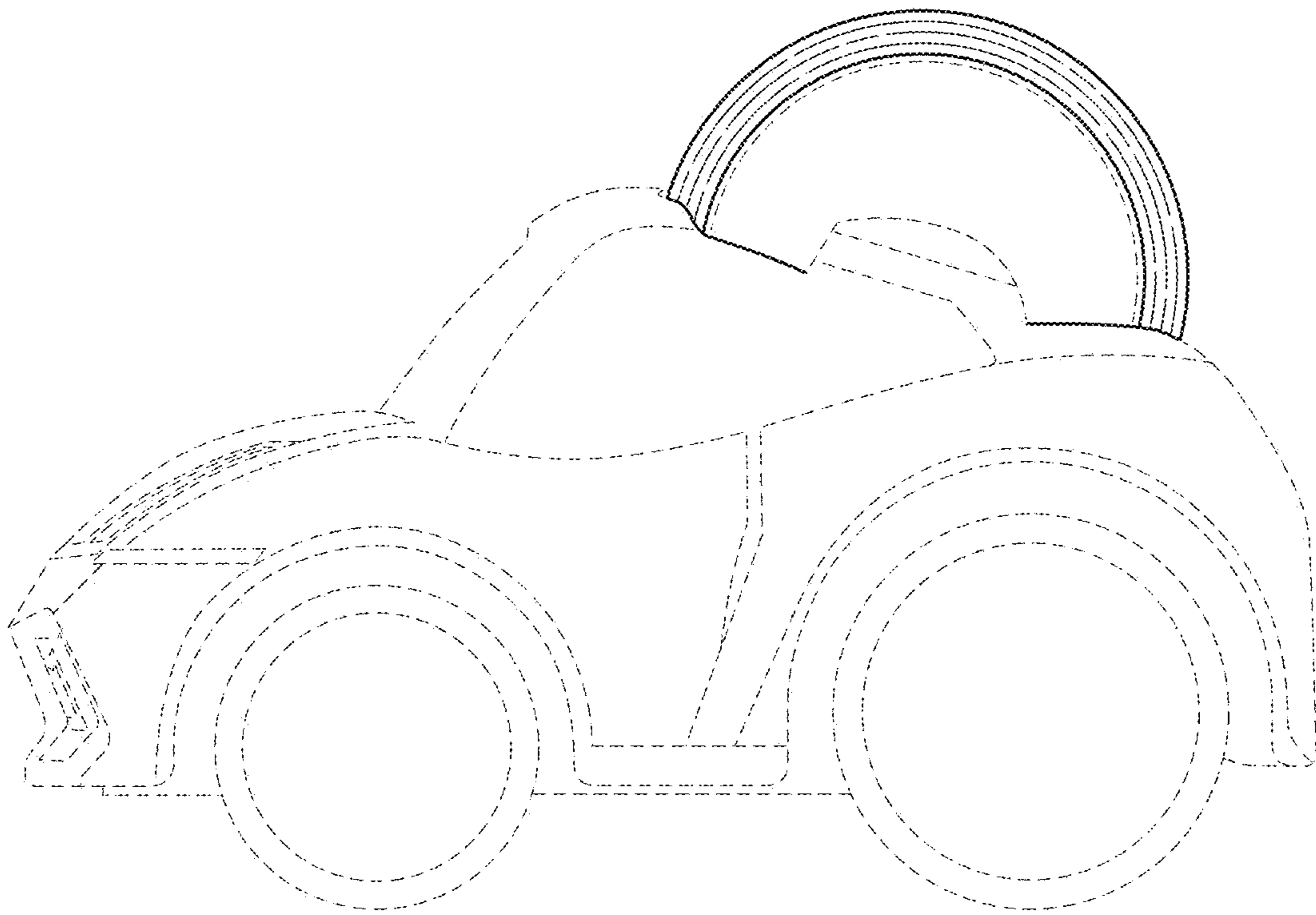


FIG. 4

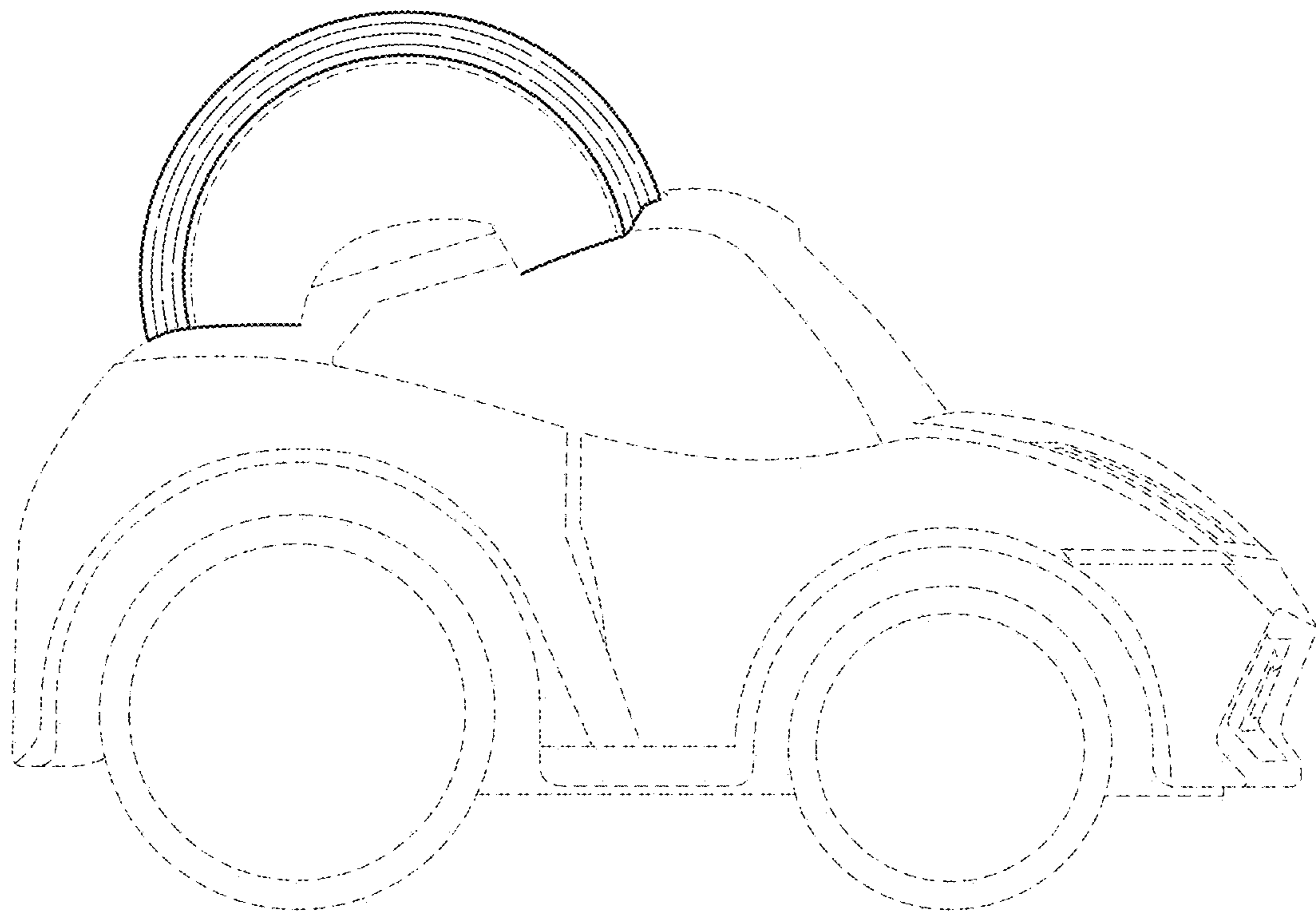


FIG. 5

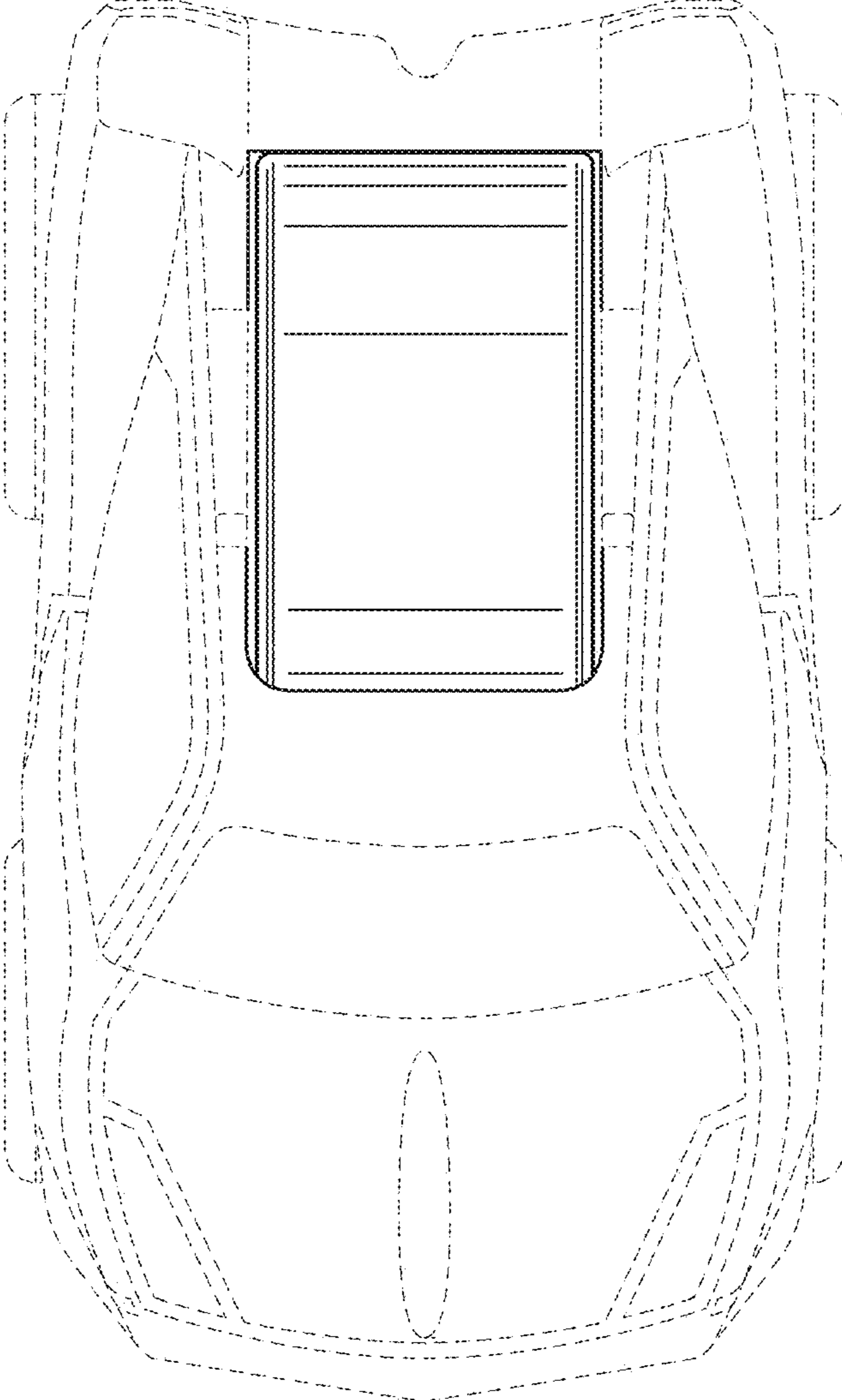


FIG. 6



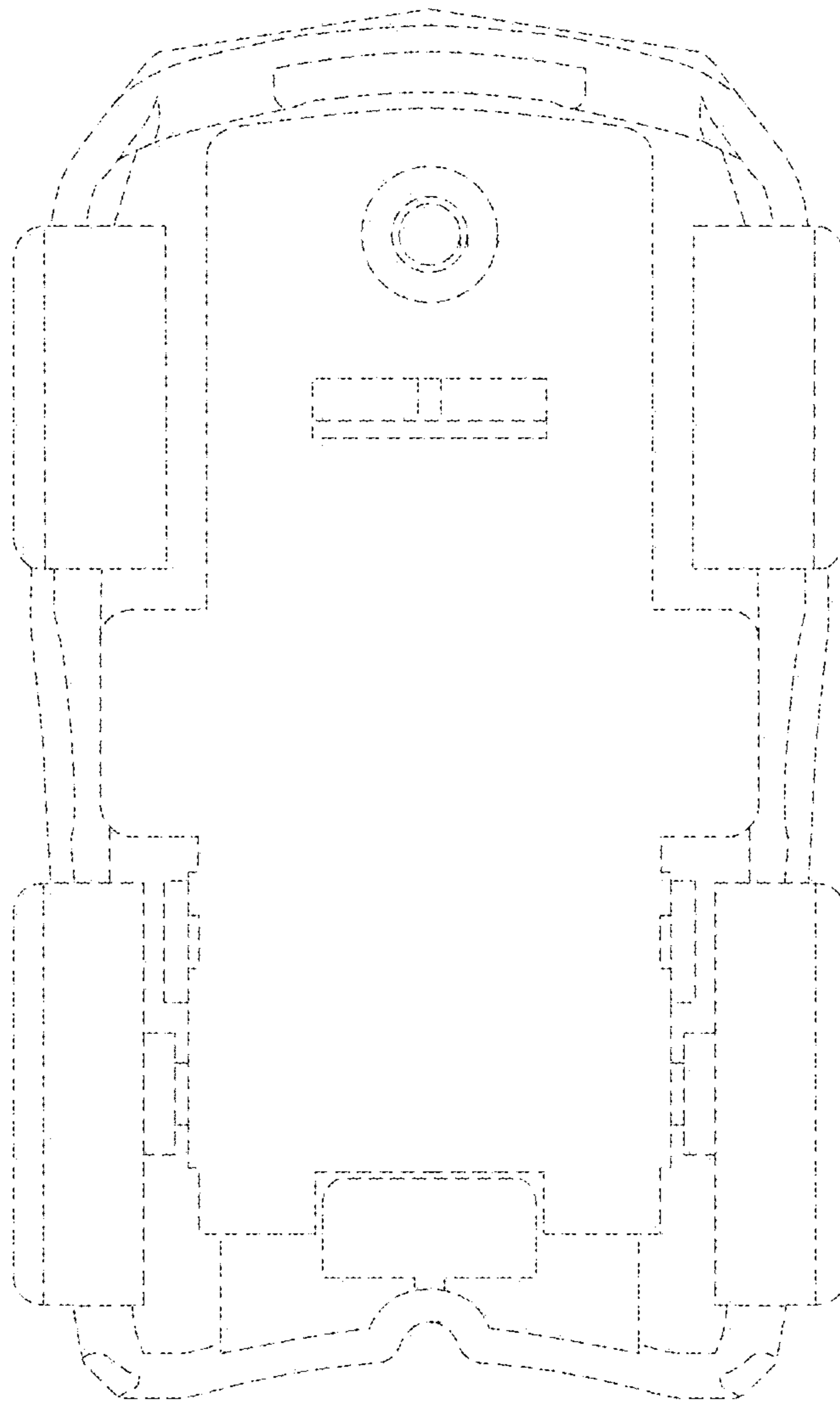


FIG. 7

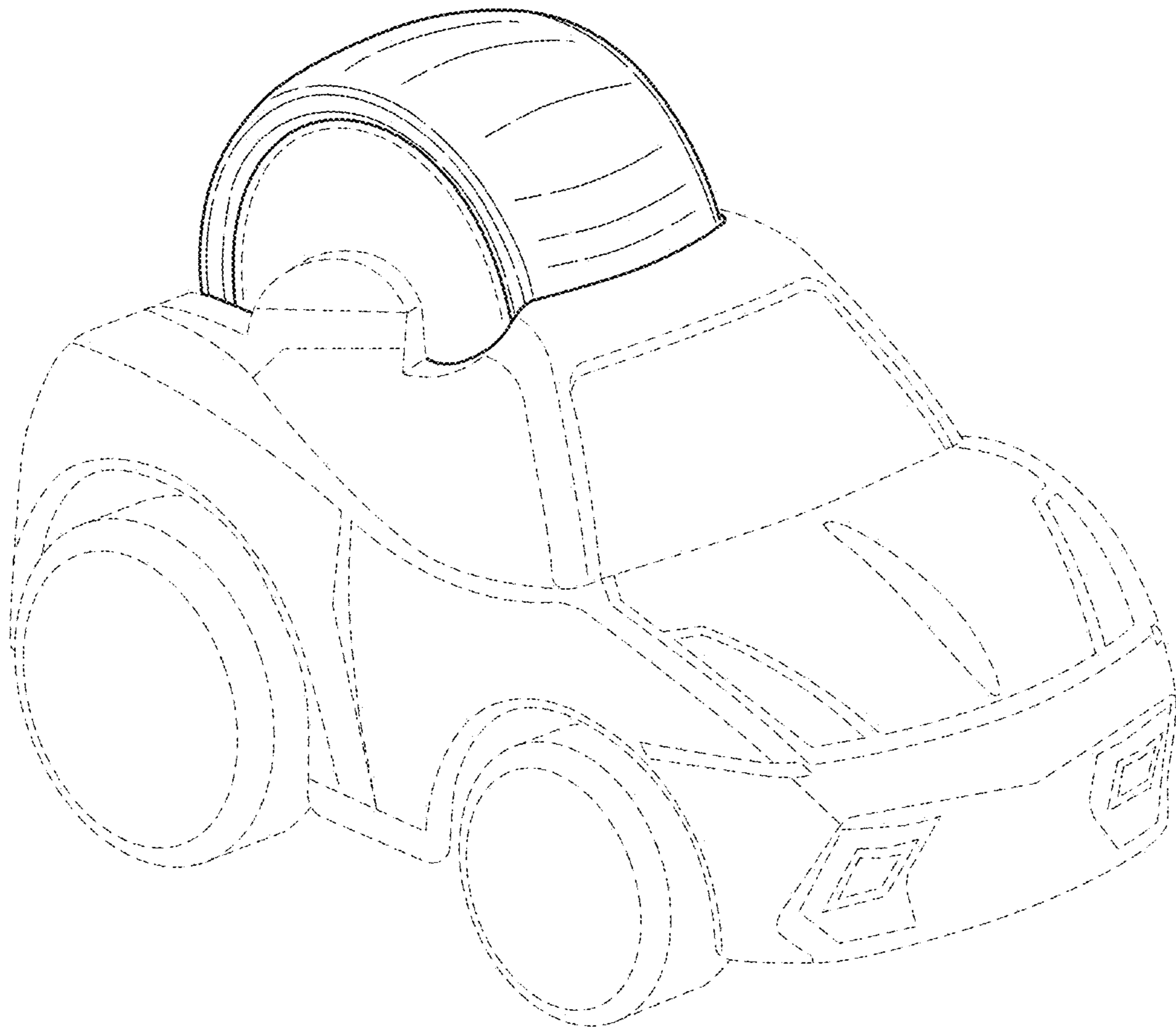


FIG. 8

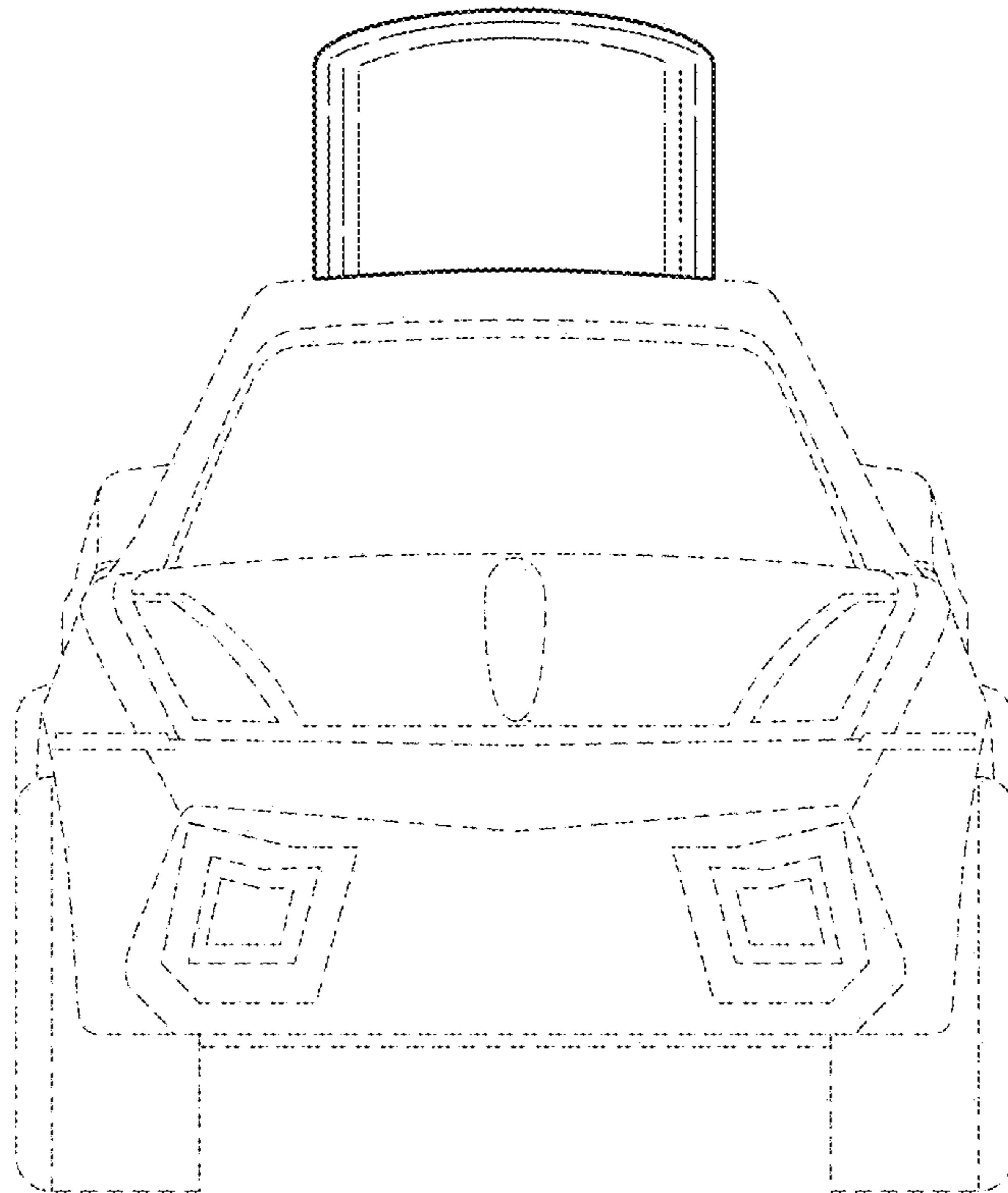


FIG. 9

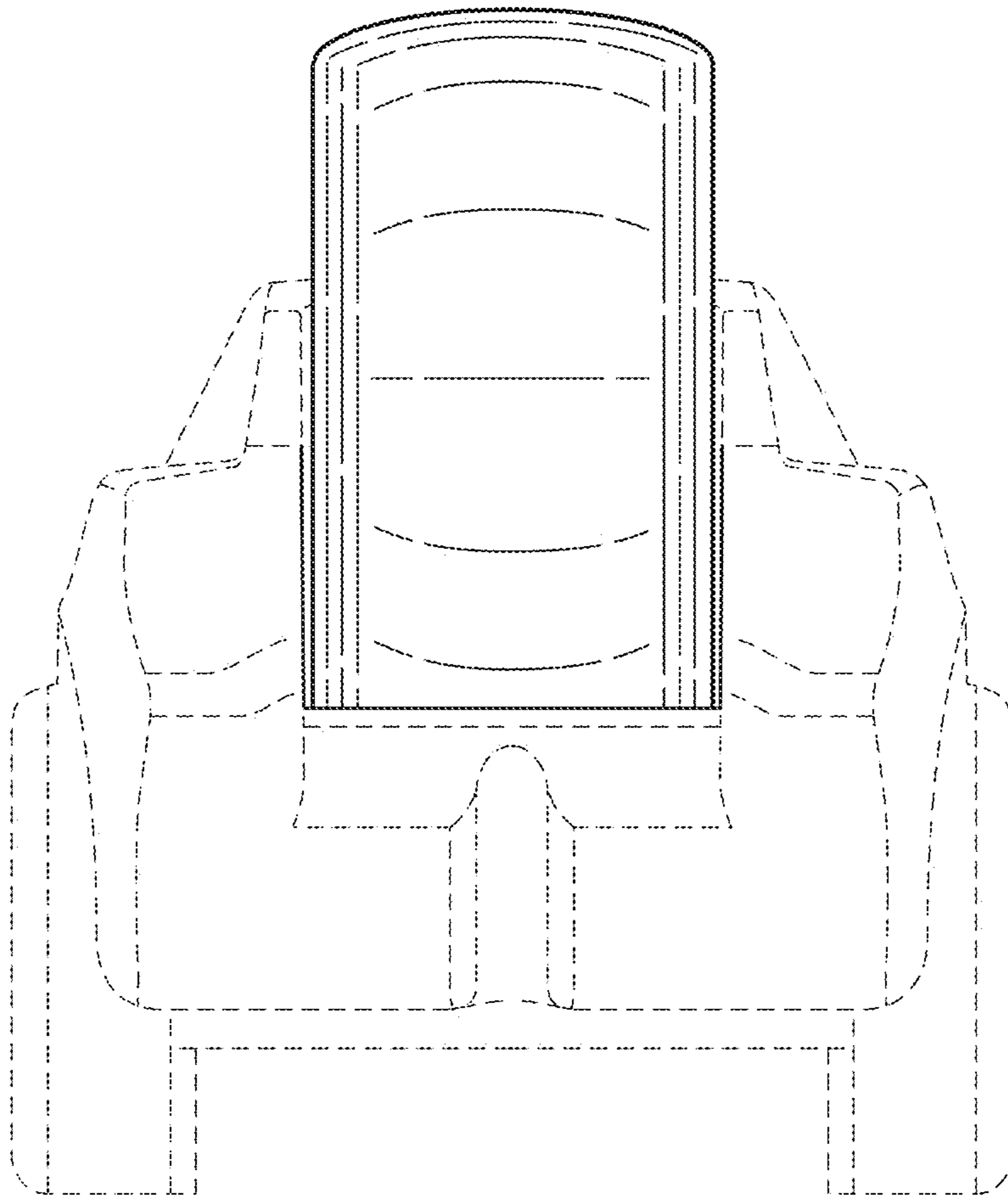


FIG. 10

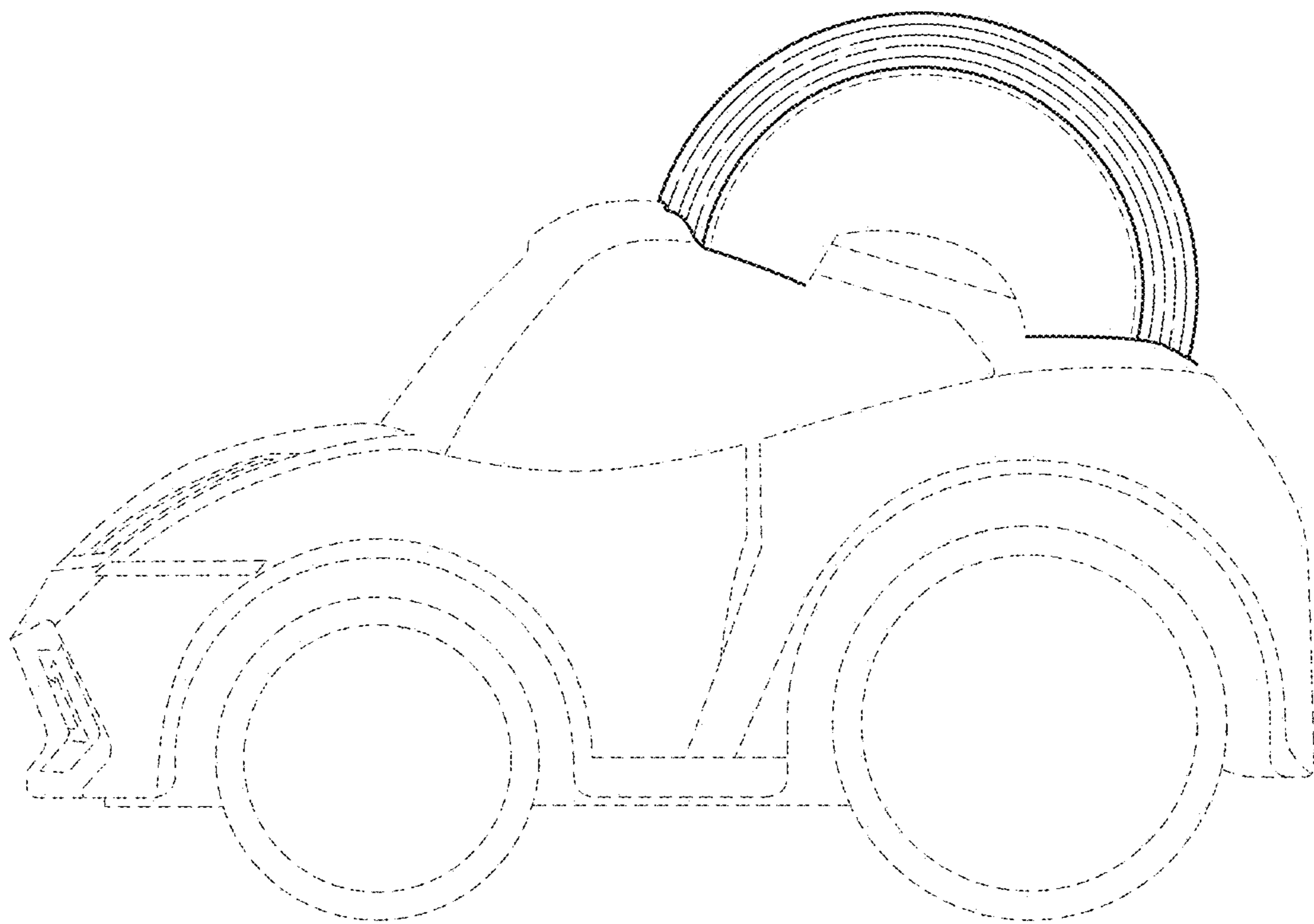


FIG. 11

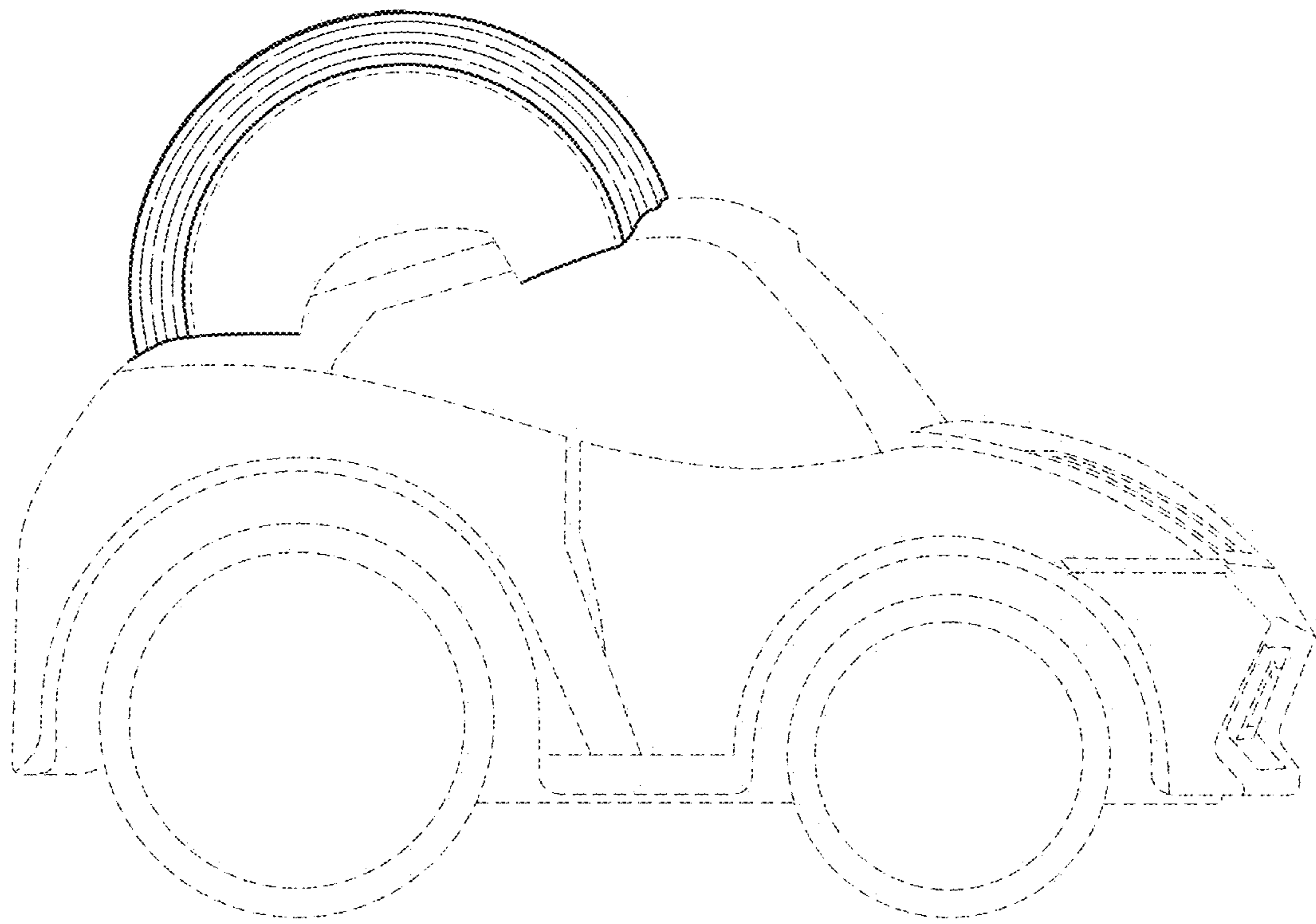


FIG. 12

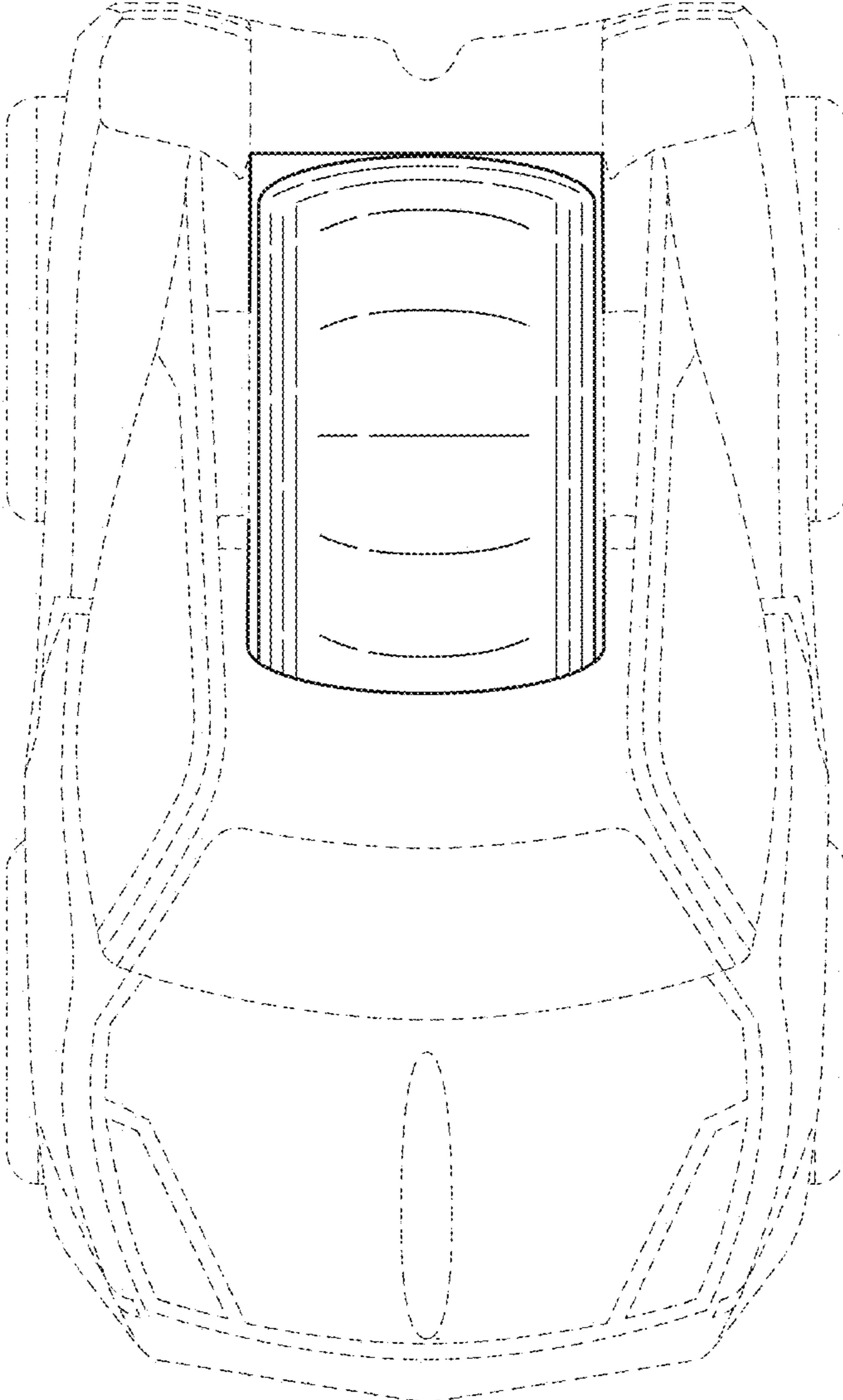


FIG. 13

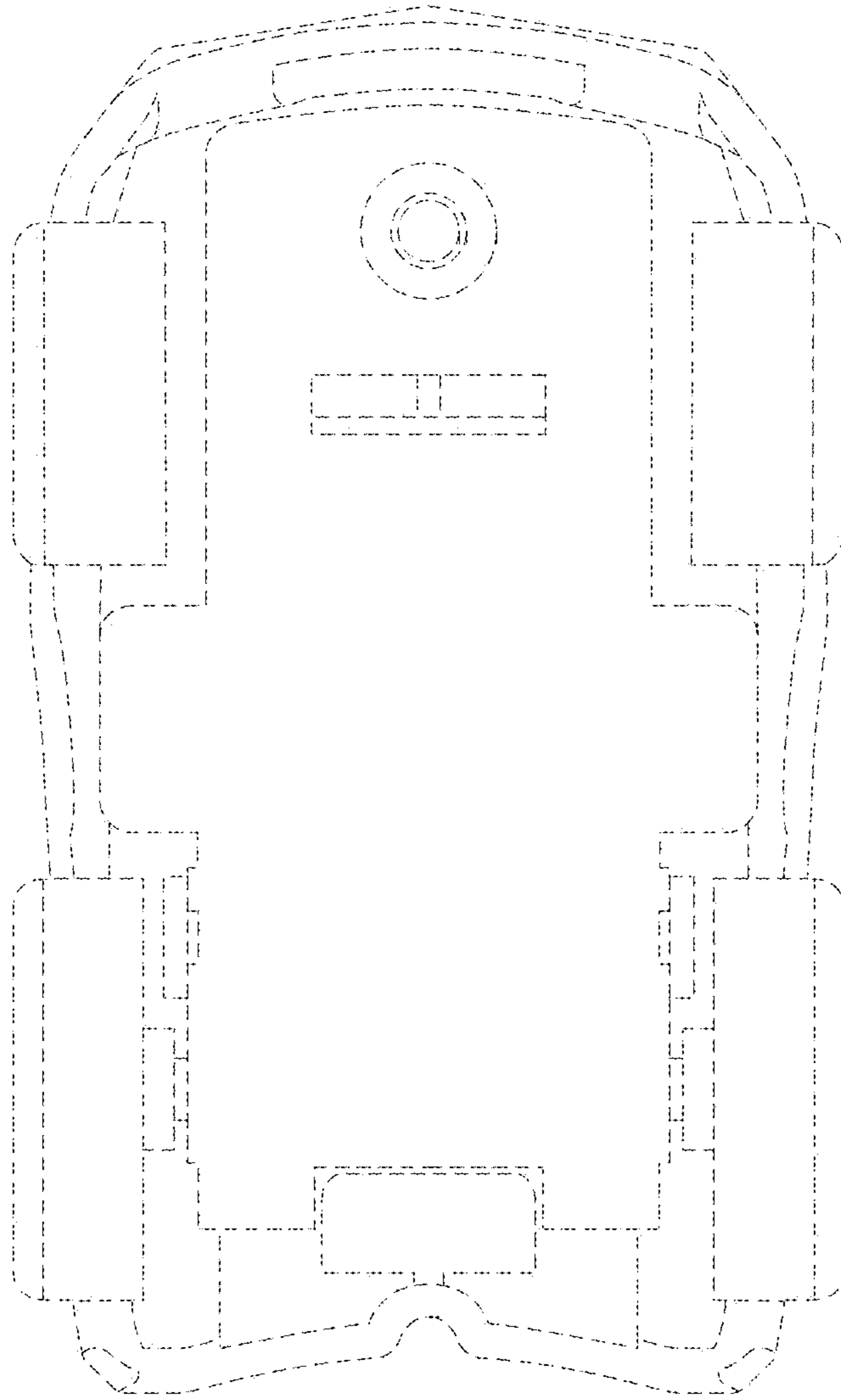


FIG. 14



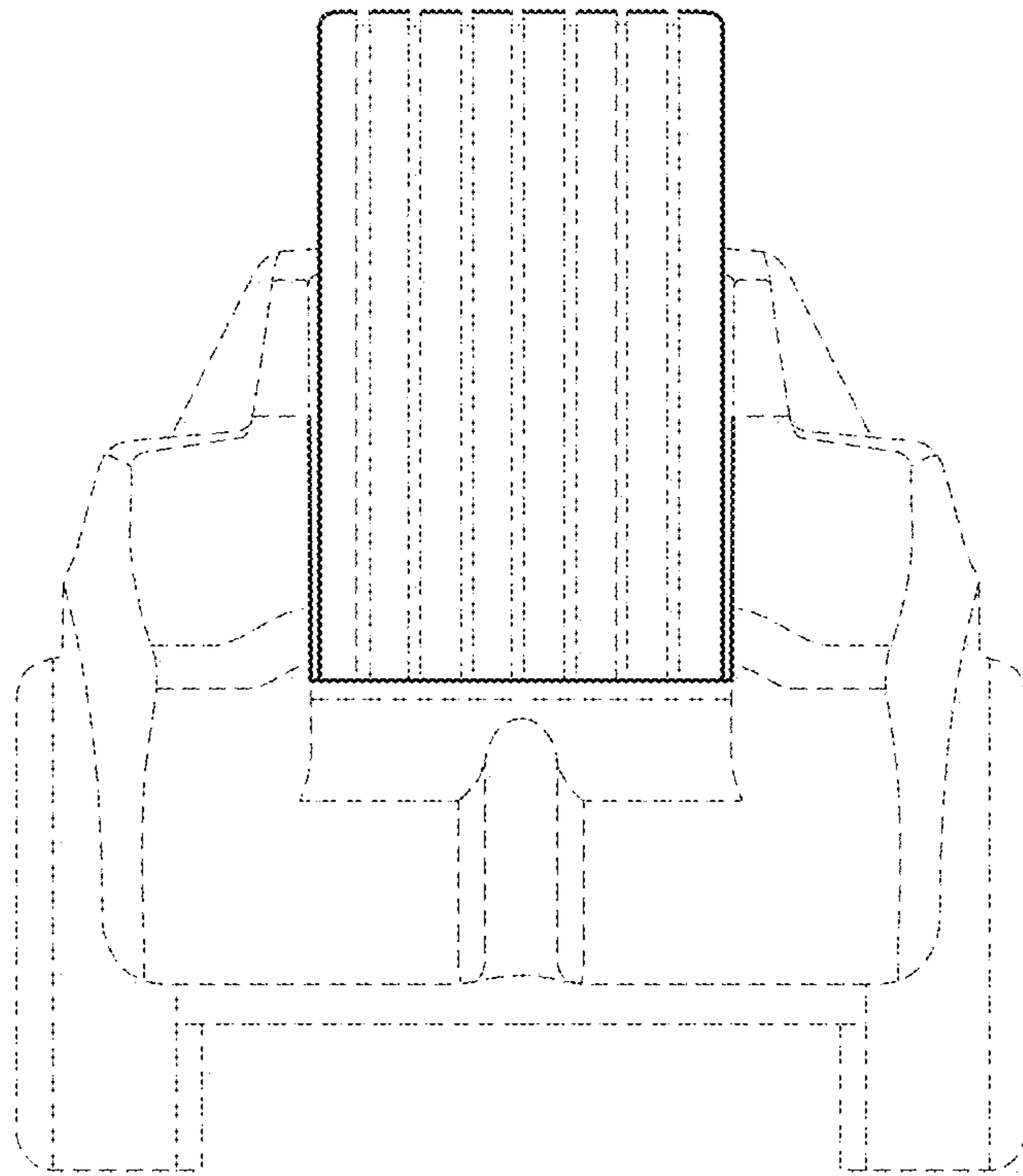


FIG. 15

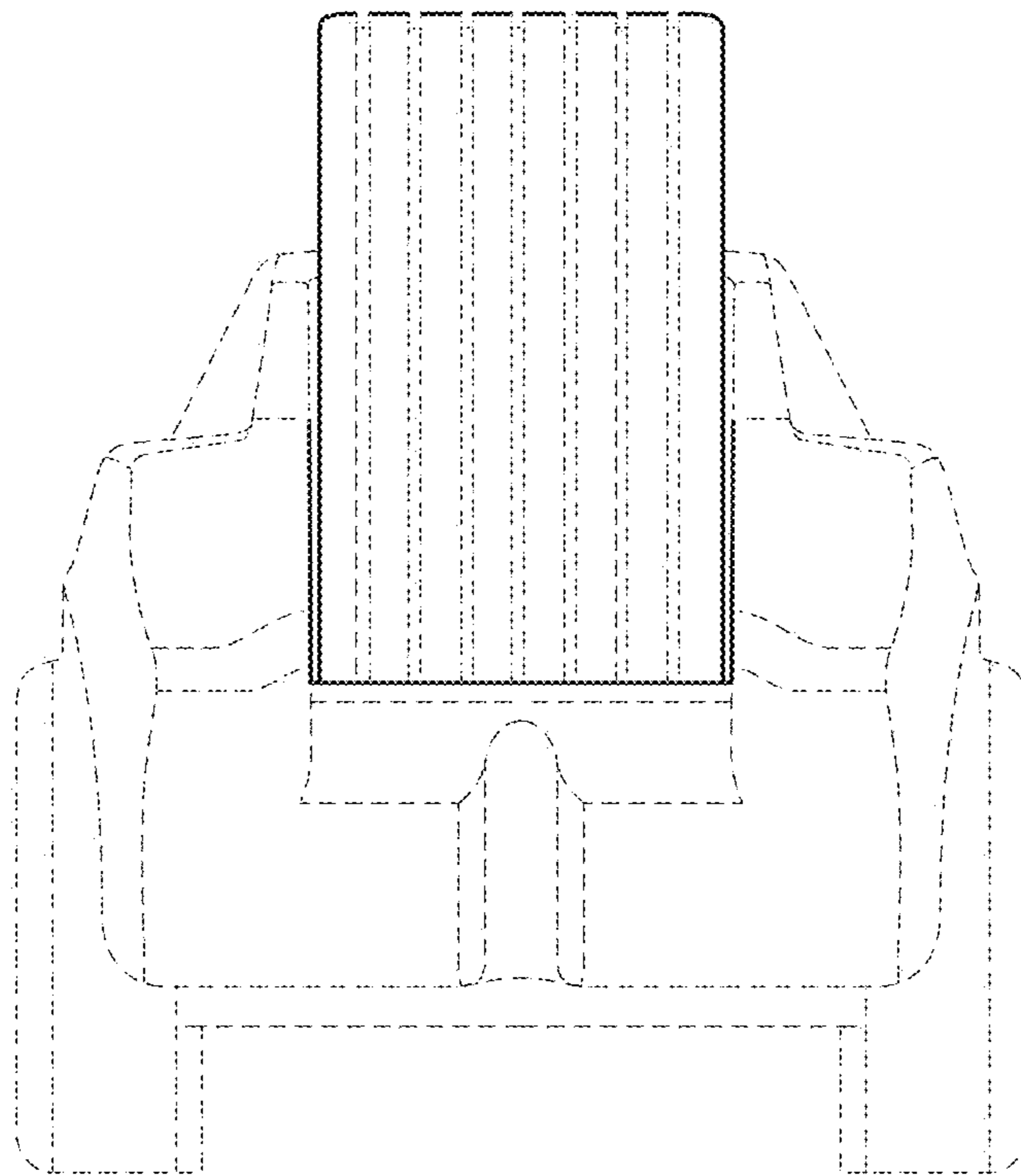


FIG. 16

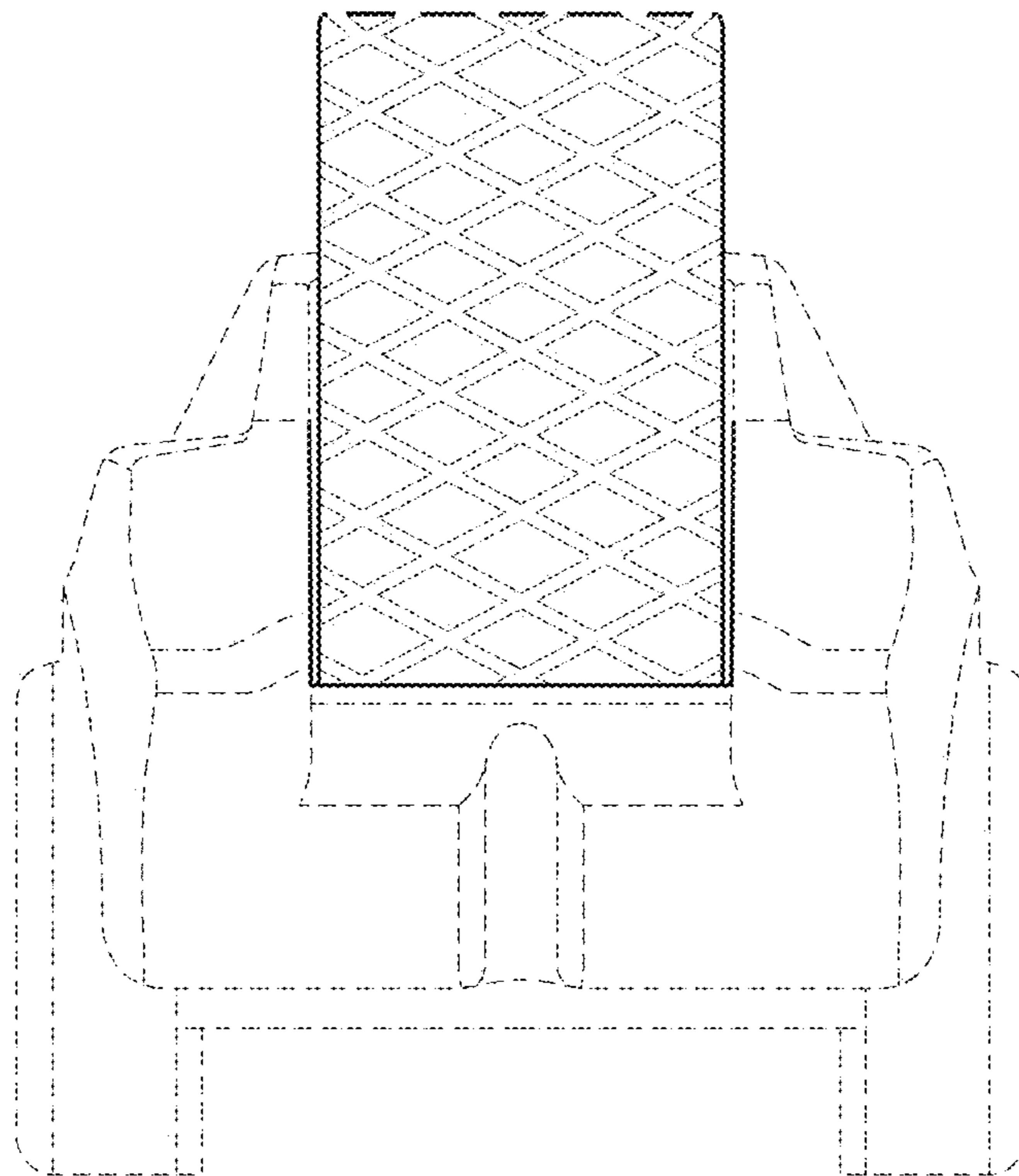


FIG. 17

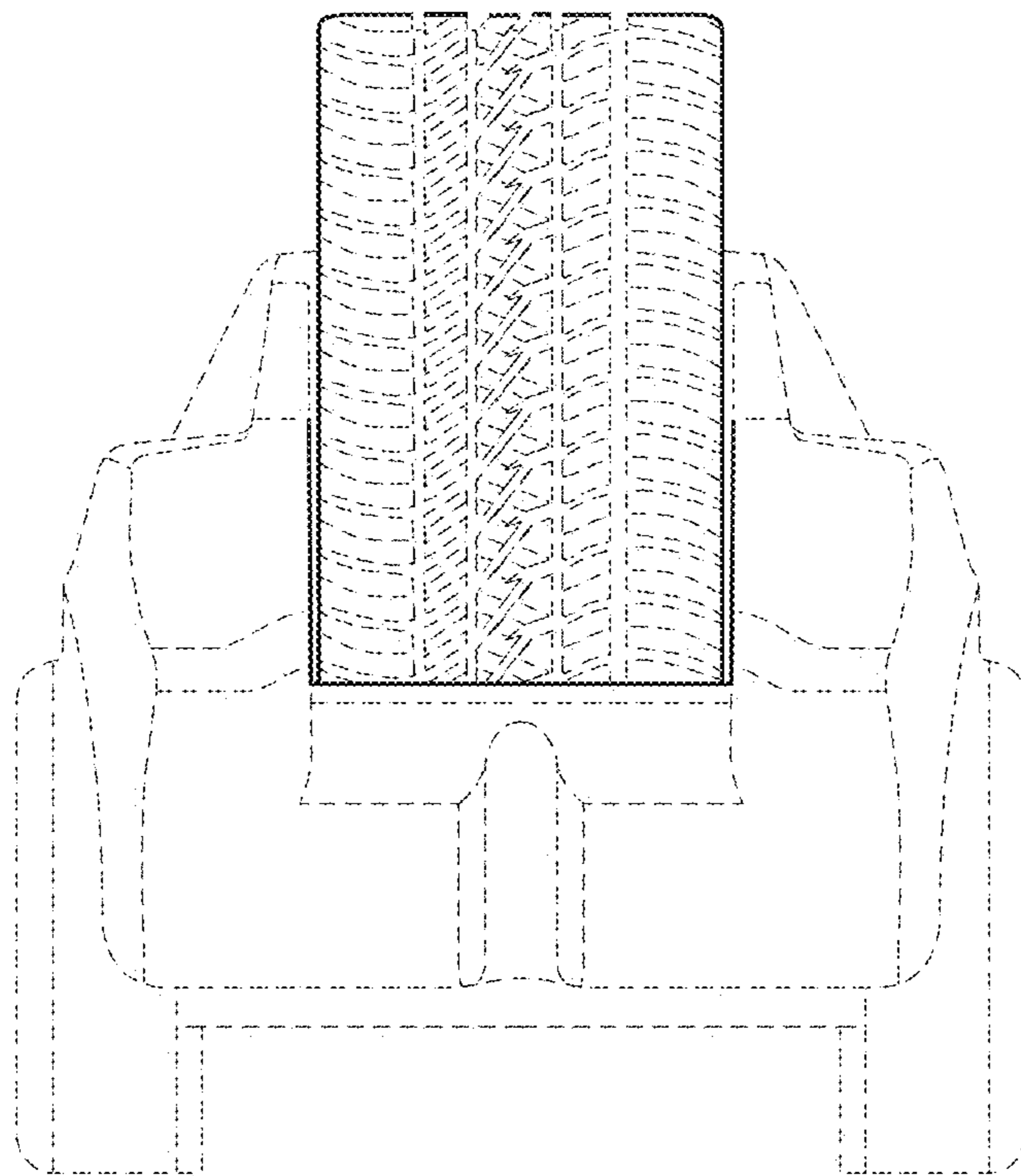


FIG. 18

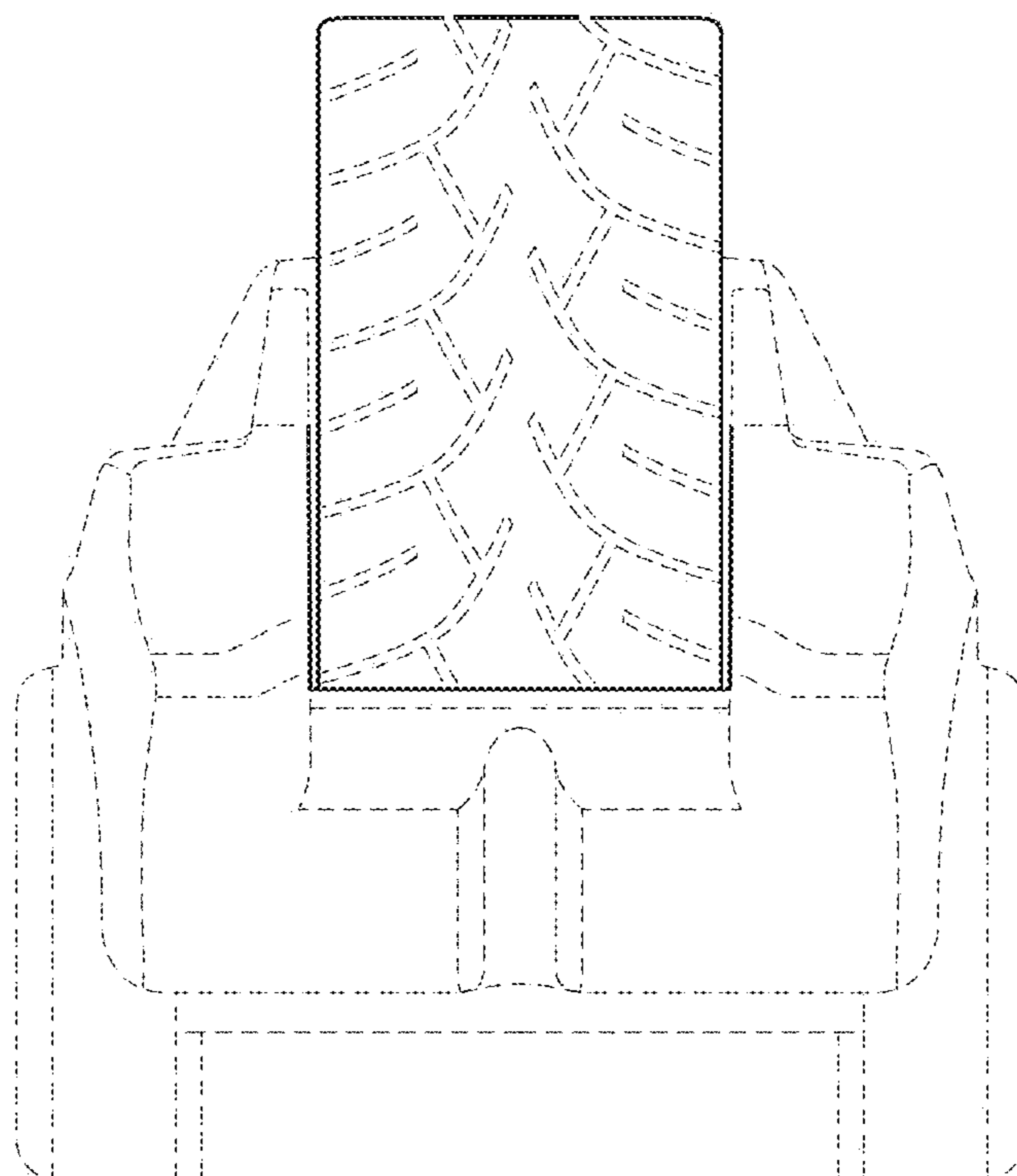


FIG. 19

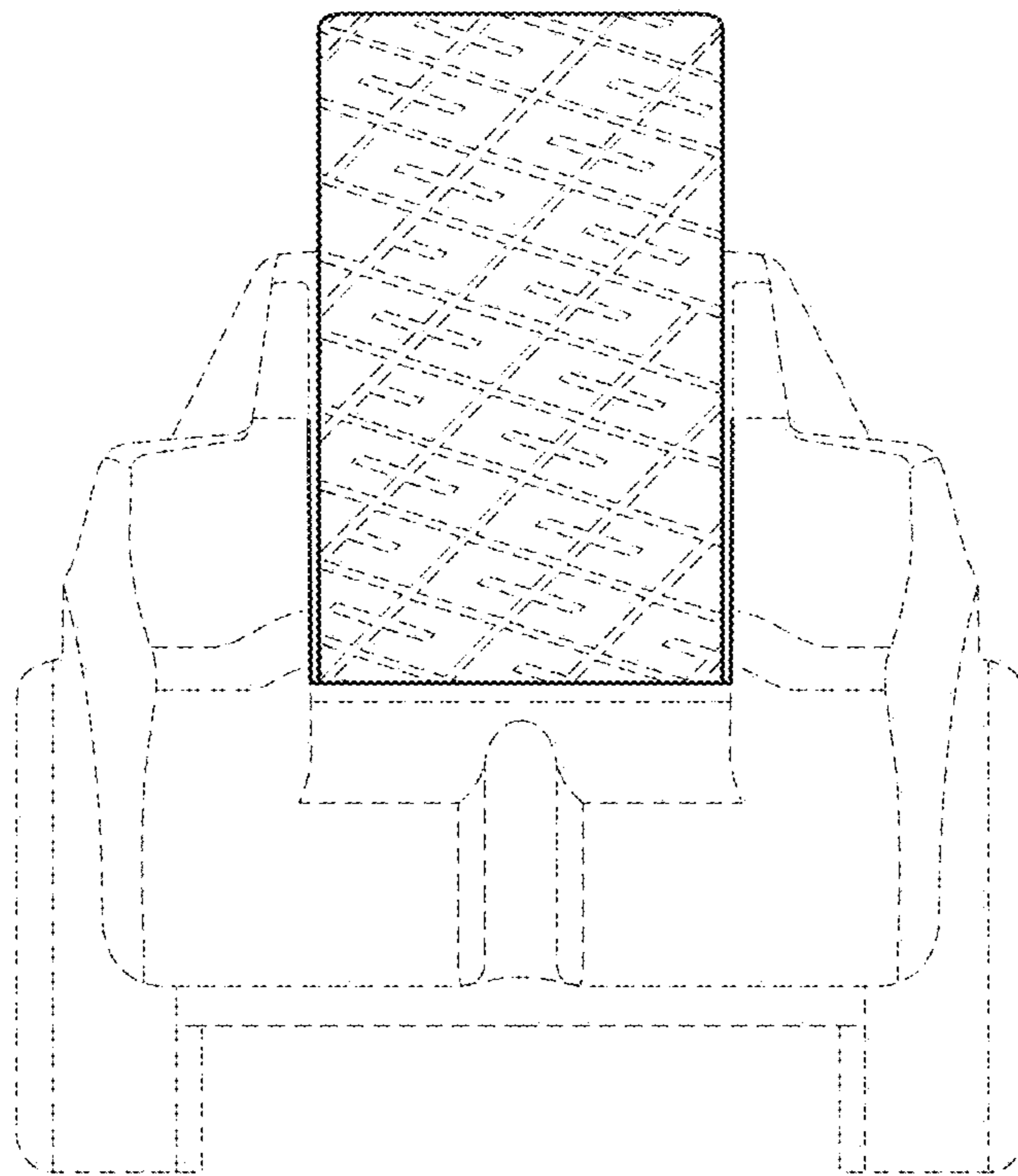


FIG. 20

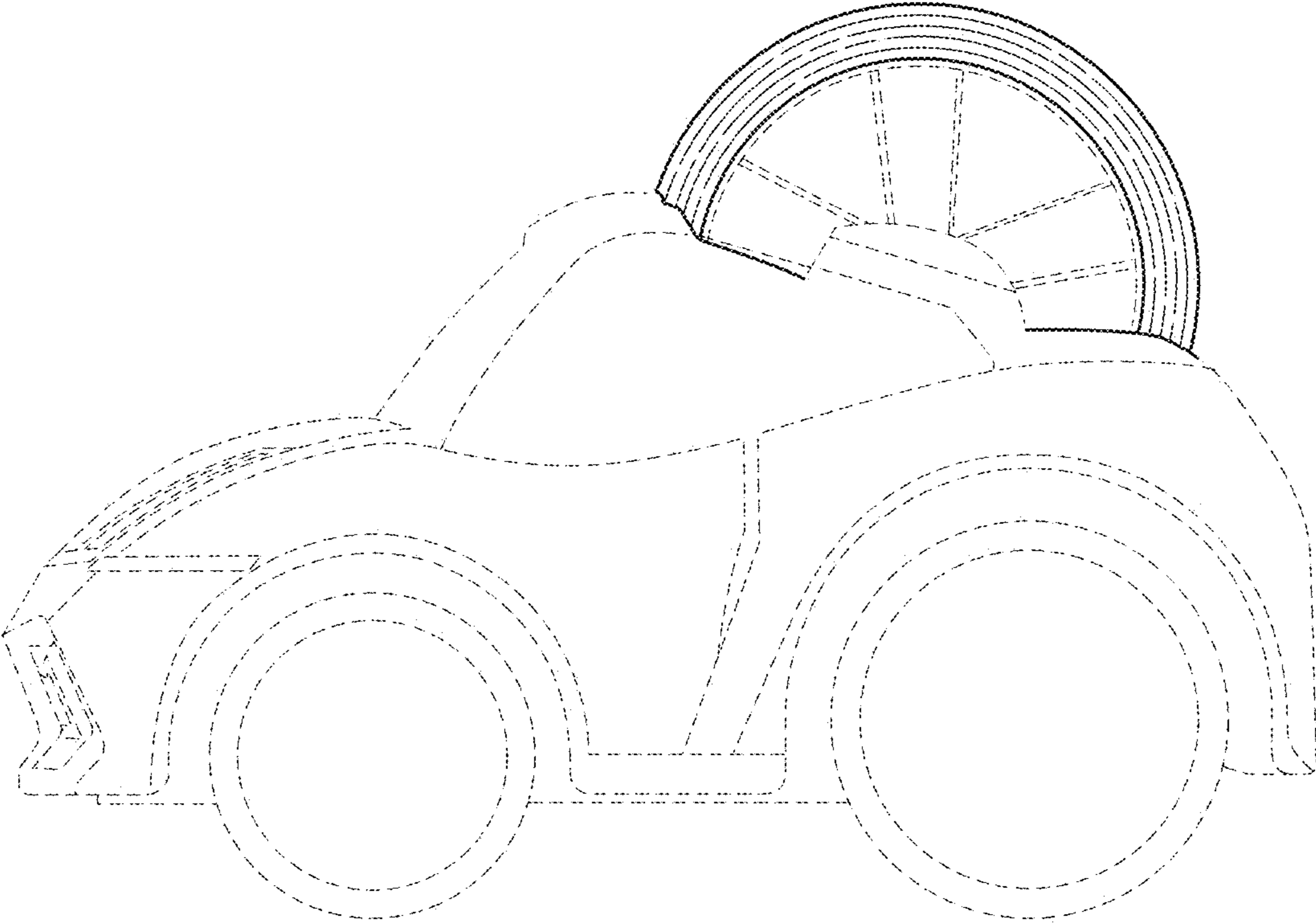


FIG. 21

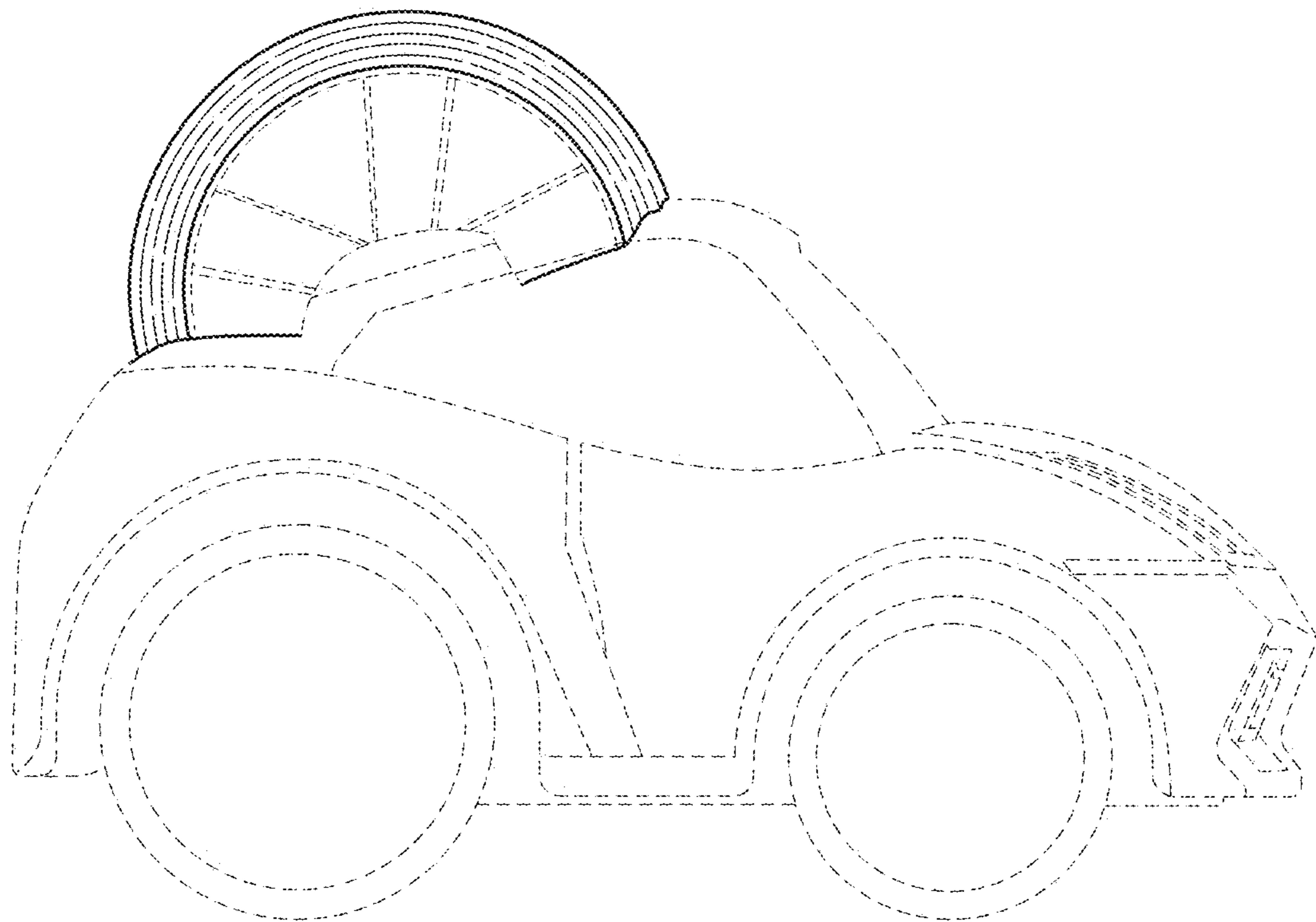


FIG. 22