

US00D976336S

(12) **United States Design Patent** (10) **Patent No.:** **US D976,336 S**
Wraith et al. (45) **Date of Patent:** **** Jan. 24, 2023**

(54) **VEHICLE EXTERIOR, TOY AND/OR REPLICAS THEREOF**

(71) Applicant: **Ford Global Technologies, LLC**, Dearborn, MI (US)

(72) Inventors: **Paul Wraith**, West Bloomfield, MI (US); **Martin B. Coons**, Detroit, MI (US); **Anthony Meyer**, Royal Oak, MI (US); **Young Kwon**, Cologne (DE); **Joseph F. Denatale, Jr.**, Royal Oak, MI (US); **Jonathan Szczupak**, Troy, MI (US)

(73) Assignee: **Ford Global Technologies, LLC**, Dearborn, MI (US)

(**) Term: **15 Years**

(21) Appl. No.: **29/727,153**

(22) Filed: **Mar. 9, 2020**

(51) **LOC (14) Cl.** **21-01**

(52) **U.S. Cl.**
USPC **D21/552**; D12/91

(58) **Field of Classification Search**
USPC D21/533, 548, 552, 424, 433, 434, 550;
D12/82, 83, 86, 88, 90, 91, 92
CPC B62D 25/00; B62D 25/06; B62D 33/00;
B62D 35/00; A63H 17/00; A63H 17/05;
B60Y 2200/24

See application file for complete search history.

(56) **References Cited**

U.S. PATENT DOCUMENTS

D514,983 S *	2/2006	Renkert	D12/91
D525,173 S *	7/2006	Kitazumi	D12/91
D525,563 S *	7/2006	Kitazumi	D12/91
D534,097 S *	12/2006	Renkert	D12/91
D551,124 S *	9/2007	Aneiros	D12/92
D563,834 S *	3/2008	Tada	D12/91

D568,792 S *	5/2008	Moushegian	D12/91
D570,251 S *	6/2008	Nakamura	D12/91
D576,919 S *	9/2008	Ito	D12/91
D605,559 S *	12/2009	Iwasaki	D12/91
D668,998 S *	10/2012	Matsumoto	D12/91
D710,253 S *	8/2014	Suzuki	D12/91
D711,286 S *	8/2014	Suzuki	D12/91
D717,696 S *	11/2014	Thole	D12/91
D827,496 S *	9/2018	Badstuebner	D12/91

(Continued)

OTHER PUBLICATIONS

2021 Ford Bronco Off-Road Testing, 7-Speed Manual, Reveal Date, available on YouTube.com, date posted Jun. 5, 2020, [site visited Dec. 10, 2021], URL: <https://www.youtube.com/watch?v=MRO9eg50Tbg> (Year: 2020).*

(Continued)

Primary Examiner — Dana K Weiland
Assistant Examiner — Emily Anna Saunders

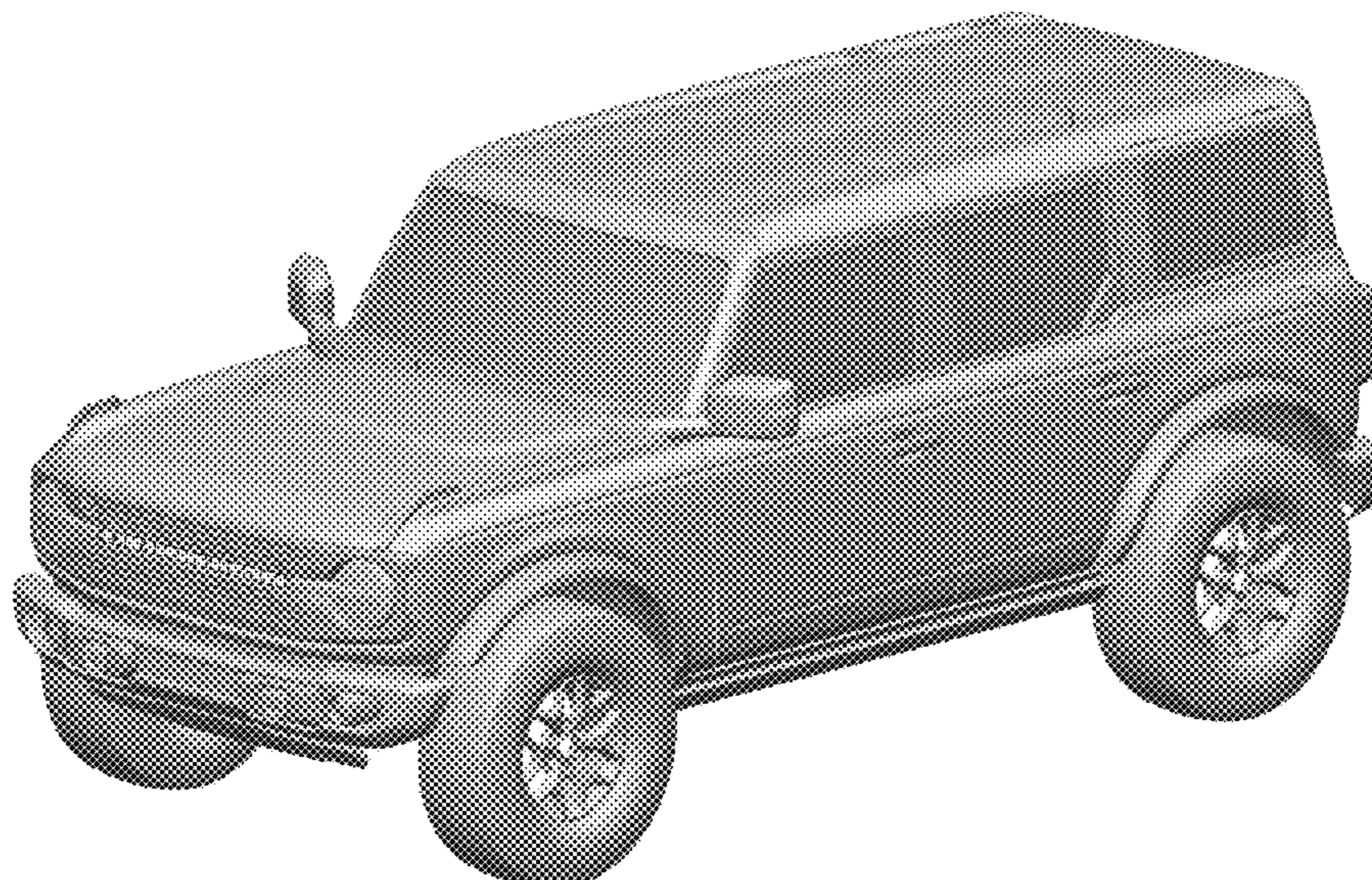
(57) **CLAIM**

The ornamental design for a vehicle exterior, toy and/or replica thereof, as shown and described.

DESCRIPTION

FIG. 1 is a front elevational view of a vehicle exterior, toy and/or replica thereof showing our new design;
FIG. 2 is a rear elevational view thereof;
FIG. 3 is a left side elevational view thereof;
FIG. 4 is a right side elevational view thereof;
FIG. 5 is a top plan view thereof;
FIG. 6 is a top, front, and left side perspective view thereof; and,
FIG. 7 is a top, rear, and left side perspective view thereof.
The half tonal portions and broken lines represent portions of the vehicle exterior, toy and/or replica thereof that form no part of the claimed design.

1 Claim, 7 Drawing Sheets



(56)

References Cited

U.S. PATENT DOCUMENTS

D840,271	S	*	2/2019	Goodrich	D12/91
D901,334	S	*	11/2020	Grand	D12/91
D913,158	S	*	3/2021	Grand	D12/91
D924,101	S	*	7/2021	Wraith	D12/91
D929,258	S	*	8/2021	Wraith	D12/91
D941,187	S	*	1/2022	Wraith	D12/91
D941,188	S	*	1/2022	Grand	D12/92
D942,897	S	*	2/2022	Willing	D12/91
D944,122	S	*	2/2022	Wraith	D12/91
D945,322	S	*	3/2022	Ecuyer	D12/91
D950,416	S	*	5/2022	Abdallah	D12/91
2022/0118933	A1	*	4/2022	Jaradi	B62D 25/04

OTHER PUBLICATIONS

Ford Bronco Design Never Actually Performed Poorly Article, available on fordauthority.com, published Oct. 5, 2020, [site visited Dec. 10, 2021], URL: <https://fordauthority.com/2020/10/ford-bronco-design-never-actually-performed-poorly-in-customer-clinics/> (Year: 2020).*

2021 Ford Bronco, available on cars.com, [site visited Dec. 10, 2021], URL: <https://www.cars.com/research/ford-bronco-2021/> (Year: 2021).*

Defender 1:36 Simulation Toy Vehicles, available on aliexpress.com, [site visited Dec. 10, 2021], URL : <https://www.aliexpress.com/item/32779902917.html> (Year: 2021).*

New variant of Ford Bronco SUV with hybrid tech, available on carwale.com, published Mar. 19, 2021 [site visited Dec. 10, 2021], URL: <https://www.carwale.com/news/new-variant-of-ford-bronco-suv-with-hybrid-tech-seen-on-test/> (Year: 2021).*

Some Ford Bronco Reservations Could Be Delayed for Years, available on thedrive.com, published Oct. 12, 2021, [site visited Dec. 10, 2021], URL: <https://www.thedrive.com/news/42716/some-ford-bronco-reservations-could-be-delayed-for-years> (Year: 2021).*

Pre-production Ford Bronco prototype Mar. 2019, available wikipedia.org, unveiled date Jul. 13, 2020, first production Jun. 14, 2021, [site visited Dec. 10, 2021], URL: https://en.wikipedia.org/wiki/Ford_Bronco (Year: 2021).*

Unknown, My observations from seeing see the actual 4-door Bronco raw, unpainted sheet metal shell, Feb. 15, 2020 <https://www.bronco6g.com/forum/threads/my-observations-from-seeing-see-the-actual-4-door-bronco-raw-unpainted-sheet-metal-shell.1048/>.

Unknown, Here's the 2021 Bronco's Tail Light Shape Illuminated, Feb. 19, 2020 <https://www.bronco6g.com/forum/threads/heres-the-2021-broncos-tail-light-shape-illuminated.1071/>.

Unknown, 2021 Bronco Interior Spied Undisguised!!, Feb. 25, 2020 <https://www.bronco6g.com/forum/threads/2021-bronco-interior-spied-undisguised.1096/>.

* cited by examiner

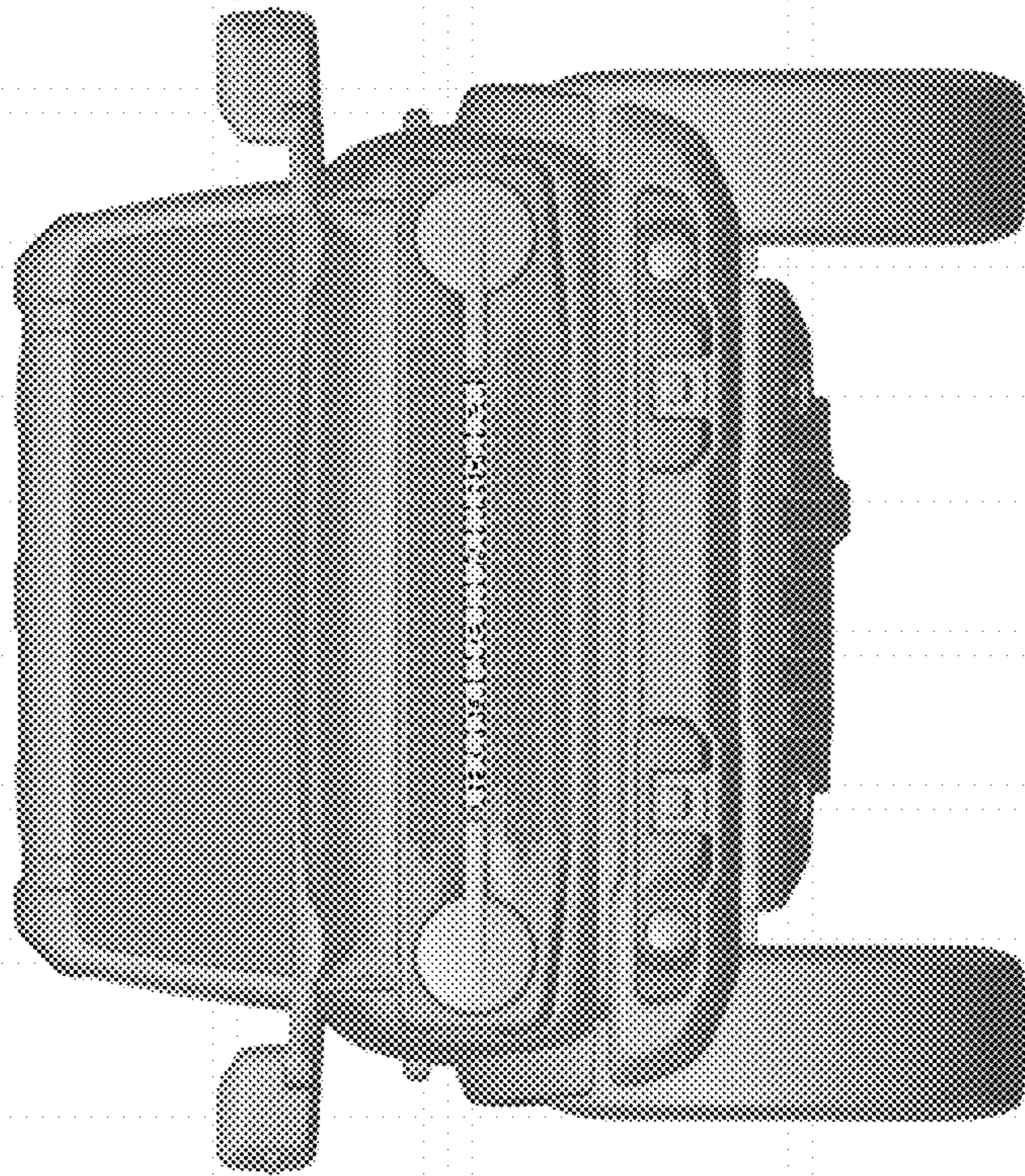


Fig. 1

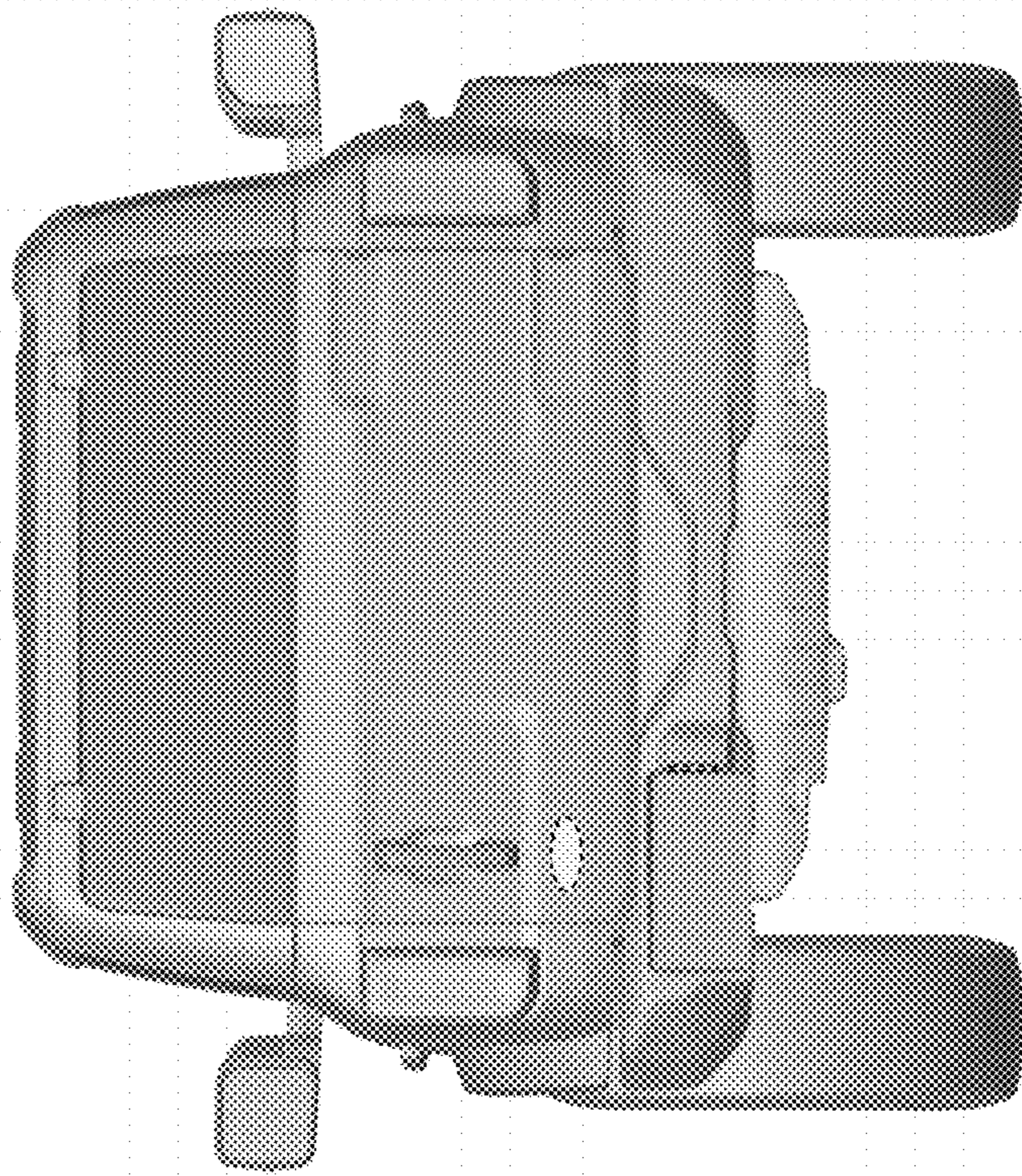


Fig. 2

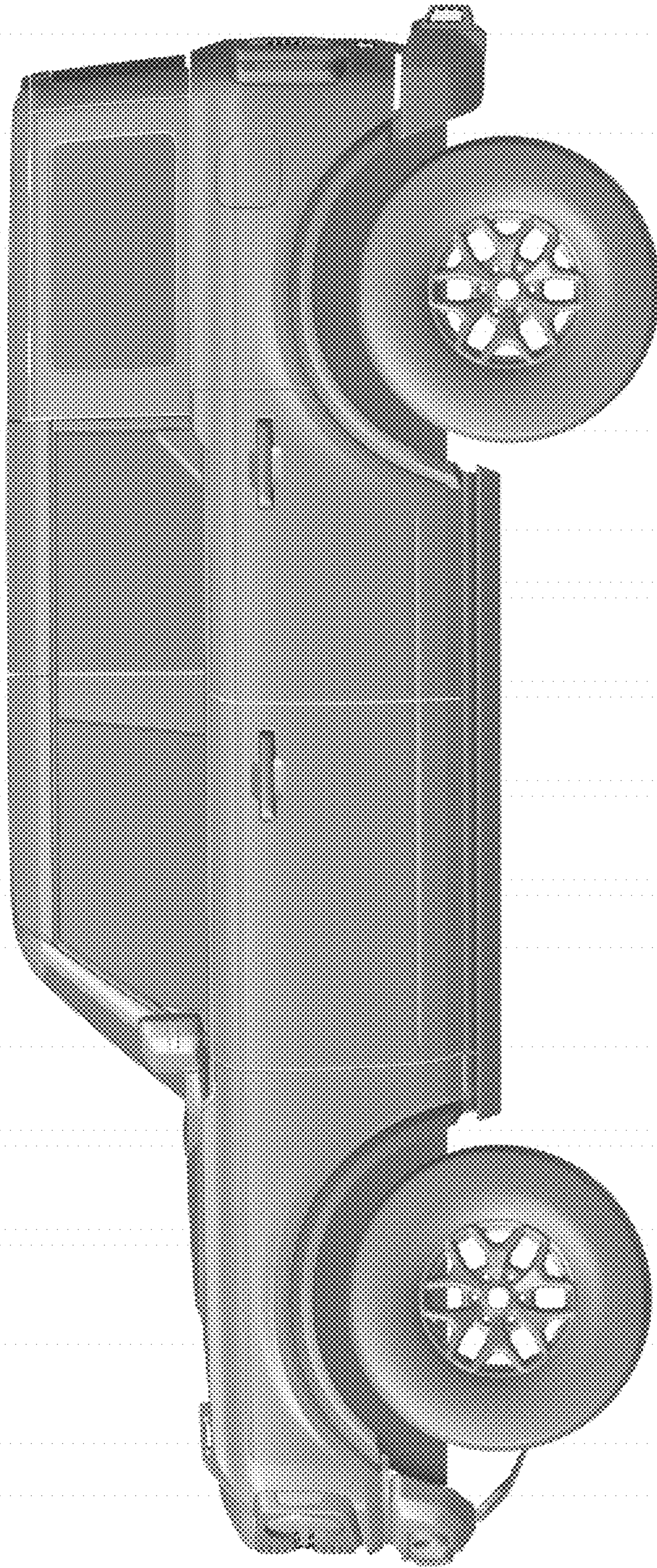


Fig. 3

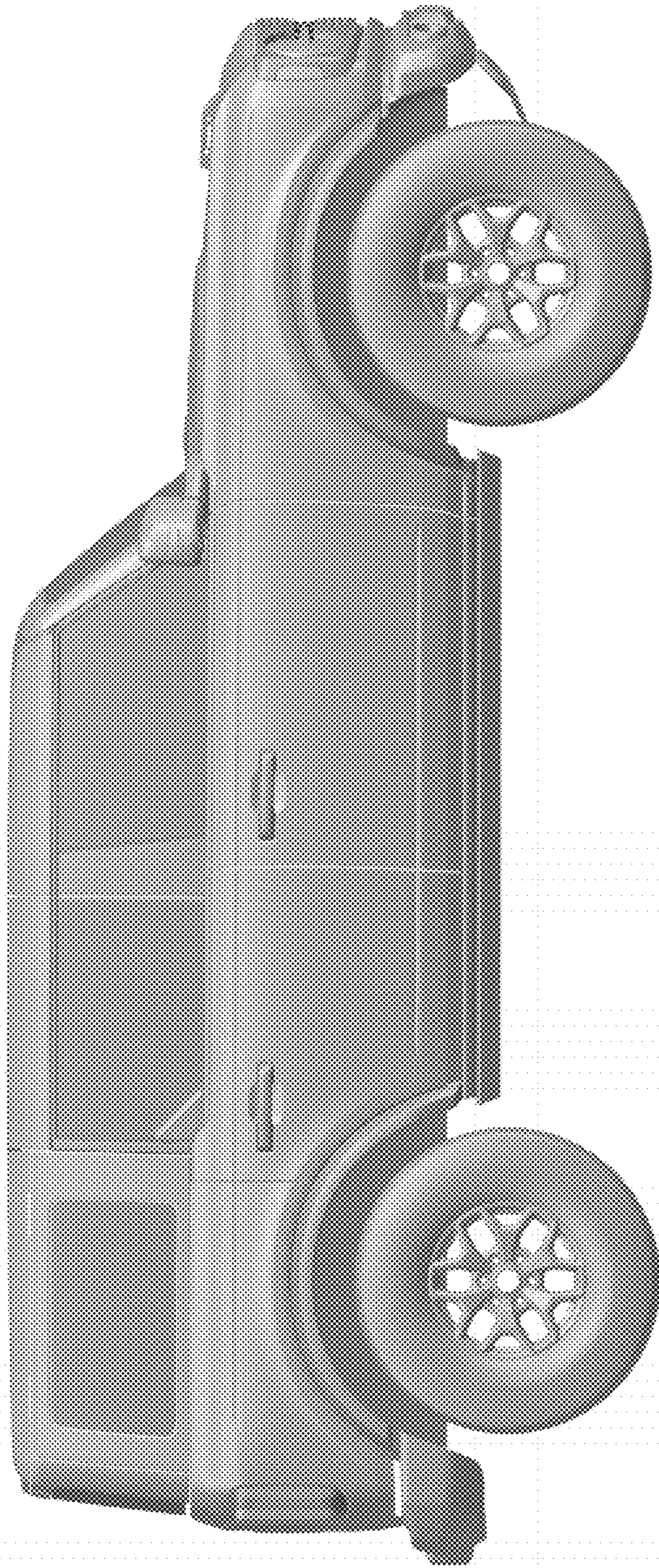


Fig. 4

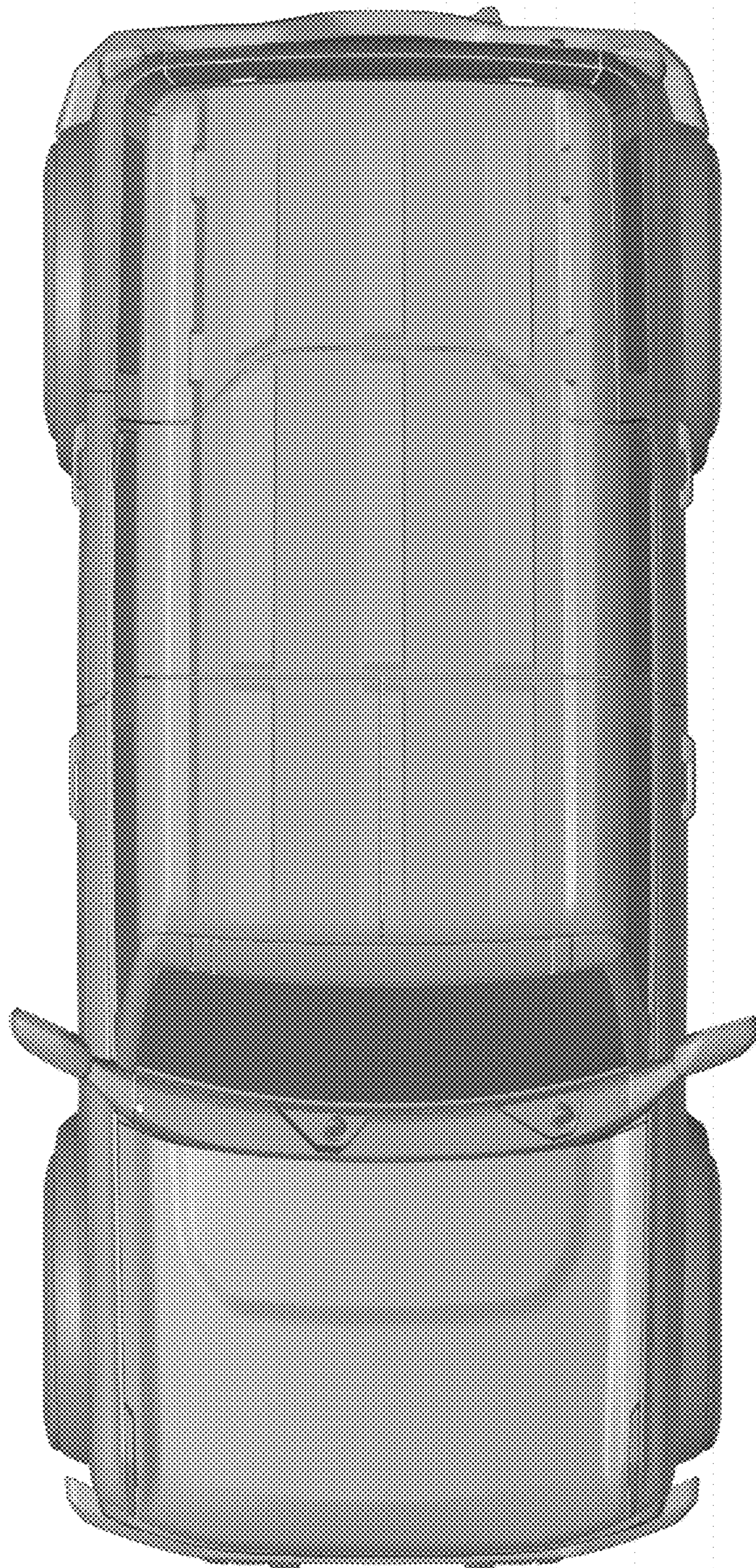


Fig. 5

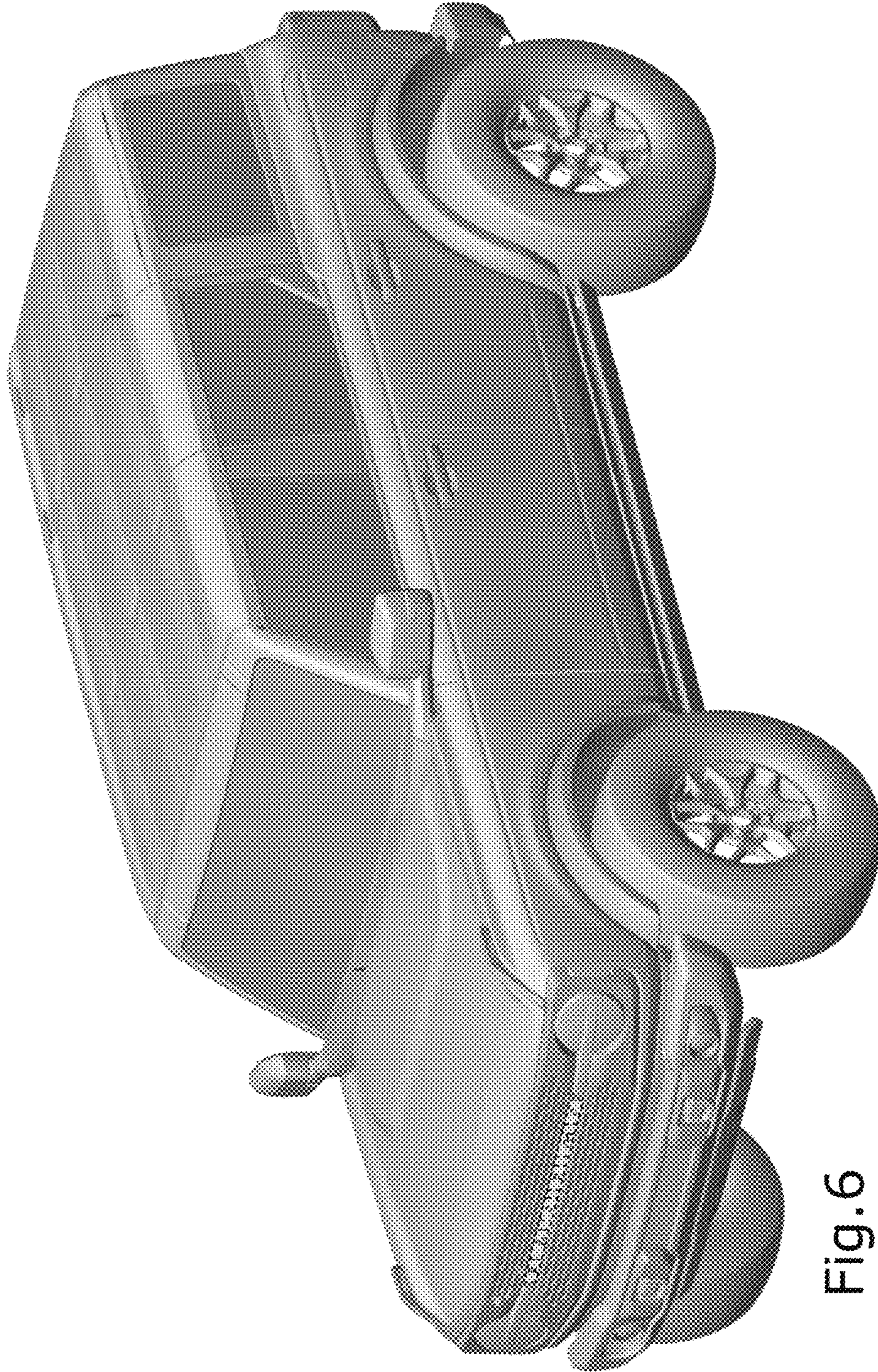


Fig. 6

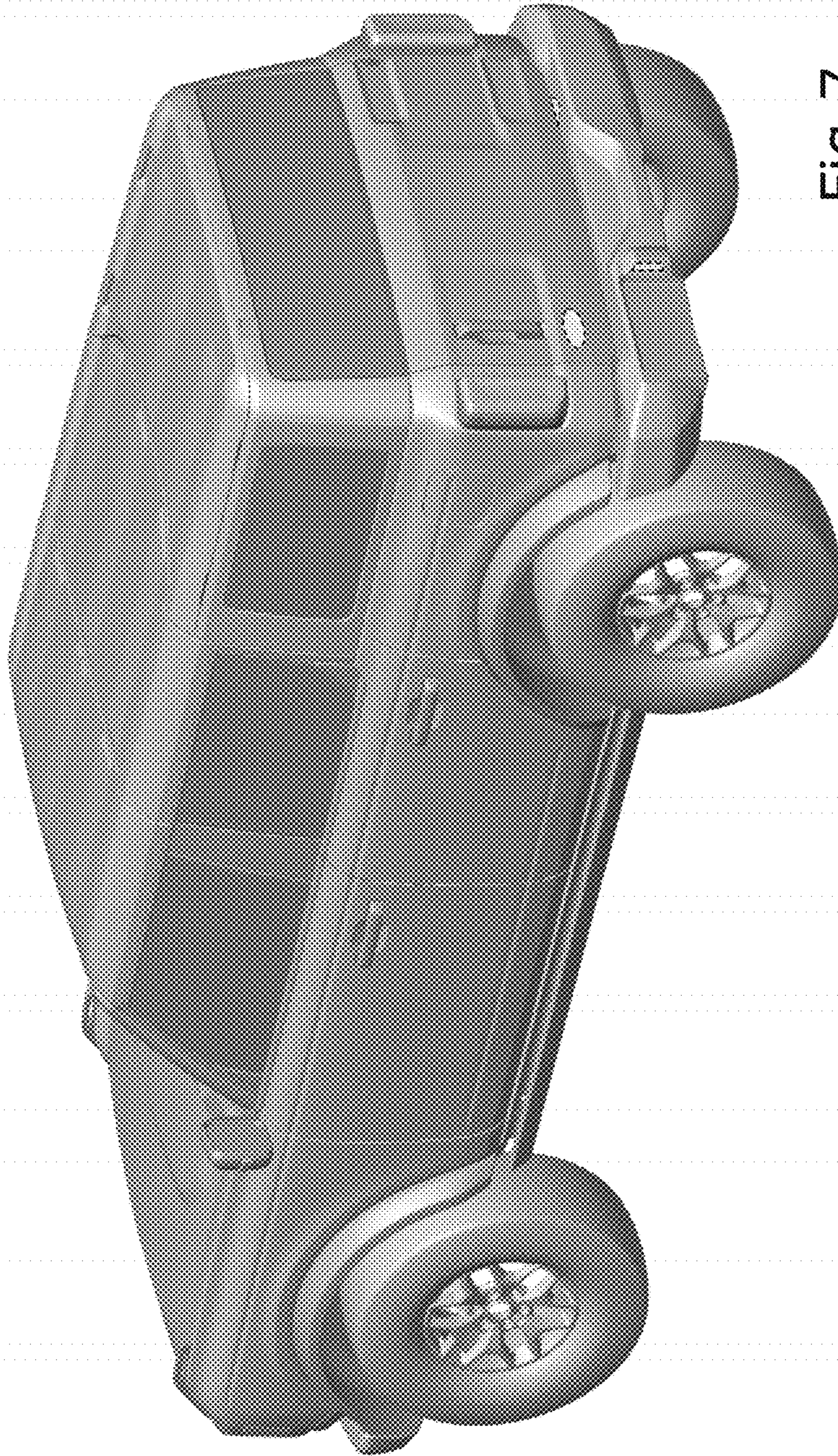


Fig. 7