



US00D976334S

(12) **United States Design Patent**
Capon

(10) **Patent No.:** **US D976,334 S**
(45) **Date of Patent:** **** Jan. 24, 2023**

(54) **FIDGET TOY**
(71) Applicant: **FoxMind Group Ltd.**, Montréal (CA)
(72) Inventor: **David Capon**, Montréal (CA)
(**) Term: **15 Years**
(21) Appl. No.: **35/514,019**
(22) Filed: **Mar. 23, 2022**
(80) **Hague Agreement Data**
Int. Filing Date: **Mar. 23, 2022**
Int. Reg. No.: **DM/219895**
Int. Reg. Date: **Mar. 23, 2022**
Int. Reg. Pub. Date: **Apr. 15, 2022**

(51) **LOC (14) Cl.** **21-01**
(52) **U.S. Cl.**
USPC **D21/468**; D11/3
(58) **Field of Classification Search**
USPC D21/398, 468, 455, 444, 408, 692;
D24/193, 194, 195; D19/60, 136-139;
D3/207, 208, 211; D11/3, 4, 5
CPC A63H 1/00; A63H 33/18; A63H 33/00;
A63H 33/001; A63H 33/32; A63H
33/002; A63H 37/005; A63F 3/00694;
A63F 3/00176; A63F 3/00697; A63F
3/00214; A63F 9/00; A63F 9/0001; A63F
9/10; A63F 9/12; A63F 9/0811; A63F
2003/00943; A63F 2003/00182; A63F
2003/00255; A63F 2003/00832; A63F
2003/00839; A63B 23/16
See application file for complete search history.

(56) **References Cited**
U.S. PATENT DOCUMENTS

1,841,375 A * 1/1932 Meyer A44C 5/0092
63/3
D252,289 S * 7/1979 Furin D21/794
D293,561 S * 1/1988 Bulgari D11/3

D323,632 S * 2/1992 Bulgari D11/4
D375,612 S * 11/1996 Elder D2/628
D386,105 S * 11/1997 Kornmann D11/4
D541,692 S * 5/2007 Daas D11/16
D632,202 S * 2/2011 Rodarmel D11/3
D675,123 S * 1/2013 Nunez D11/3
D694,662 S * 12/2013 Buckley D11/3
D717,684 S * 11/2014 Delaney D11/3
D722,902 S * 2/2015 Mihalyo D11/3
D733,605 S * 7/2015 Soehn D11/3
D734,685 S * 7/2015 Barresi D11/3
D735,712 S * 8/2015 Nishimoto D14/344
D749,976 S * 2/2016 Barresi D11/3
D771,189 S * 11/2016 Robinson D19/192
D805,943 S * 12/2017 Zannella A44C 5/0007
D11/4
D821,248 S * 6/2018 Naqvi D11/3
(Continued)

OTHER PUBLICATIONS

Foxmind Go Pop Loopio Band. Date First Available: Jul. 11, 2022.
Retrieved from internet: <<https://www.amazon.ca/Foxmind-Pop-Loopio-Band-Silver/dp/B0B4VTFRLV>> [site visited Oct. 6, 2022]
(Year: 2022).*

(Continued)

Primary Examiner — Katherine Glennon
Assistant Examiner — Yuan Yuan

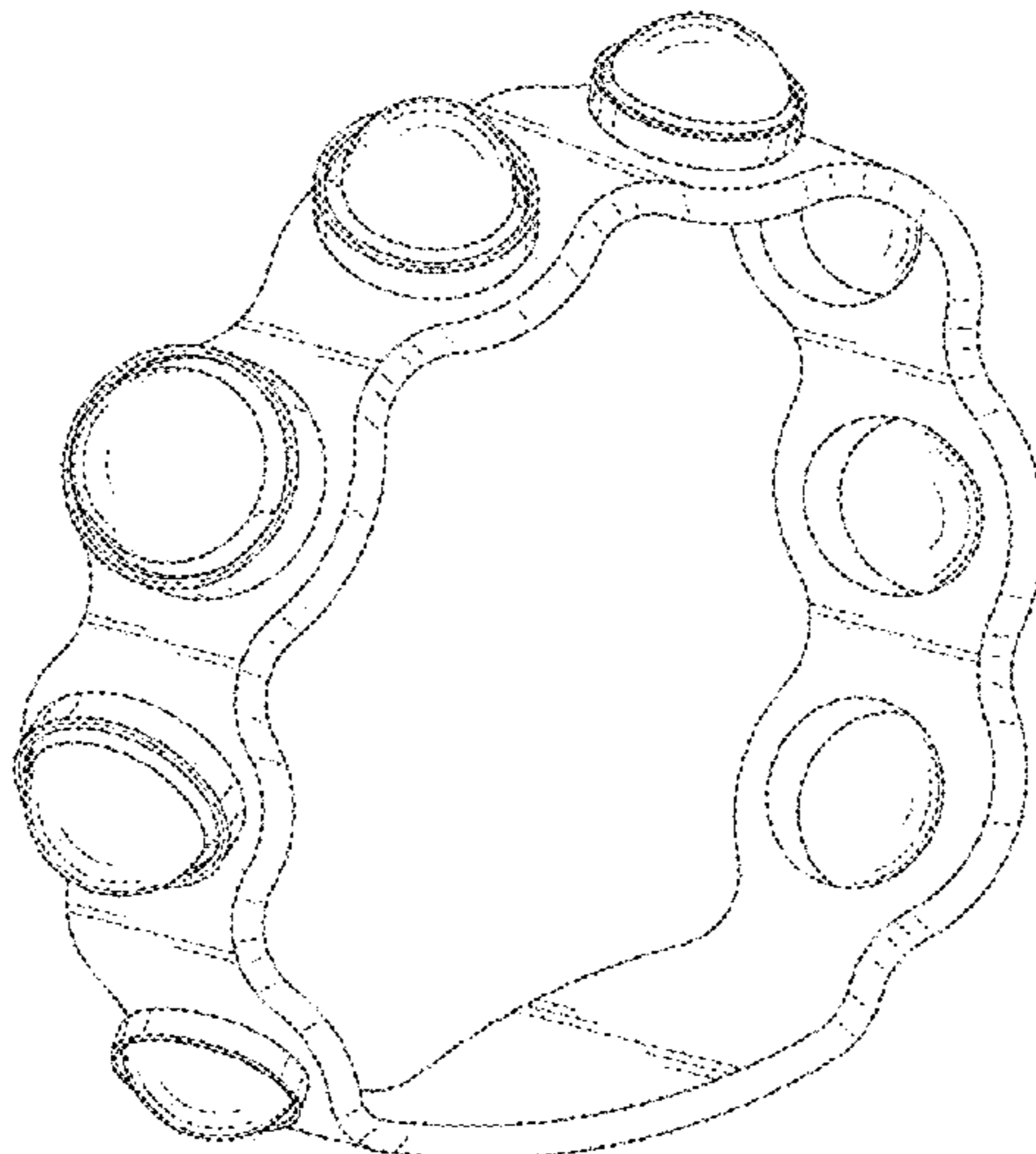
(57) **CLAIM**

The ornamental design for a fidget toy, as shown and described.

DESCRIPTION

- 1. Fidget toy
- 1.1 : Perspective
- 1.2 : Top
- 1.3 : Left
- 1.4 : Bottom
- 1.5 : Right
- 1.6 : Front
- 1.7 : Back

1 Claim, 7 Drawing Sheets



(56)

References Cited

U.S. PATENT DOCUMENTS

D843,523	S *	3/2019	Young	D21/692
10,420,402	B2 *	9/2019	Zannella	A44C 5/003
D920,148	S *	5/2021	Poubel	D11/4
11,123,648	B1 *	9/2021	Denoual	A63H 33/00
D955,184	S *	6/2022	Smart	D7/619.1
2005/0268653	A1 *	12/2005	Kaplan	A44C 5/0092
					63/15.7
2014/0090418	A1 *	4/2014	Mihalyo	A44C 5/0084
					63/3

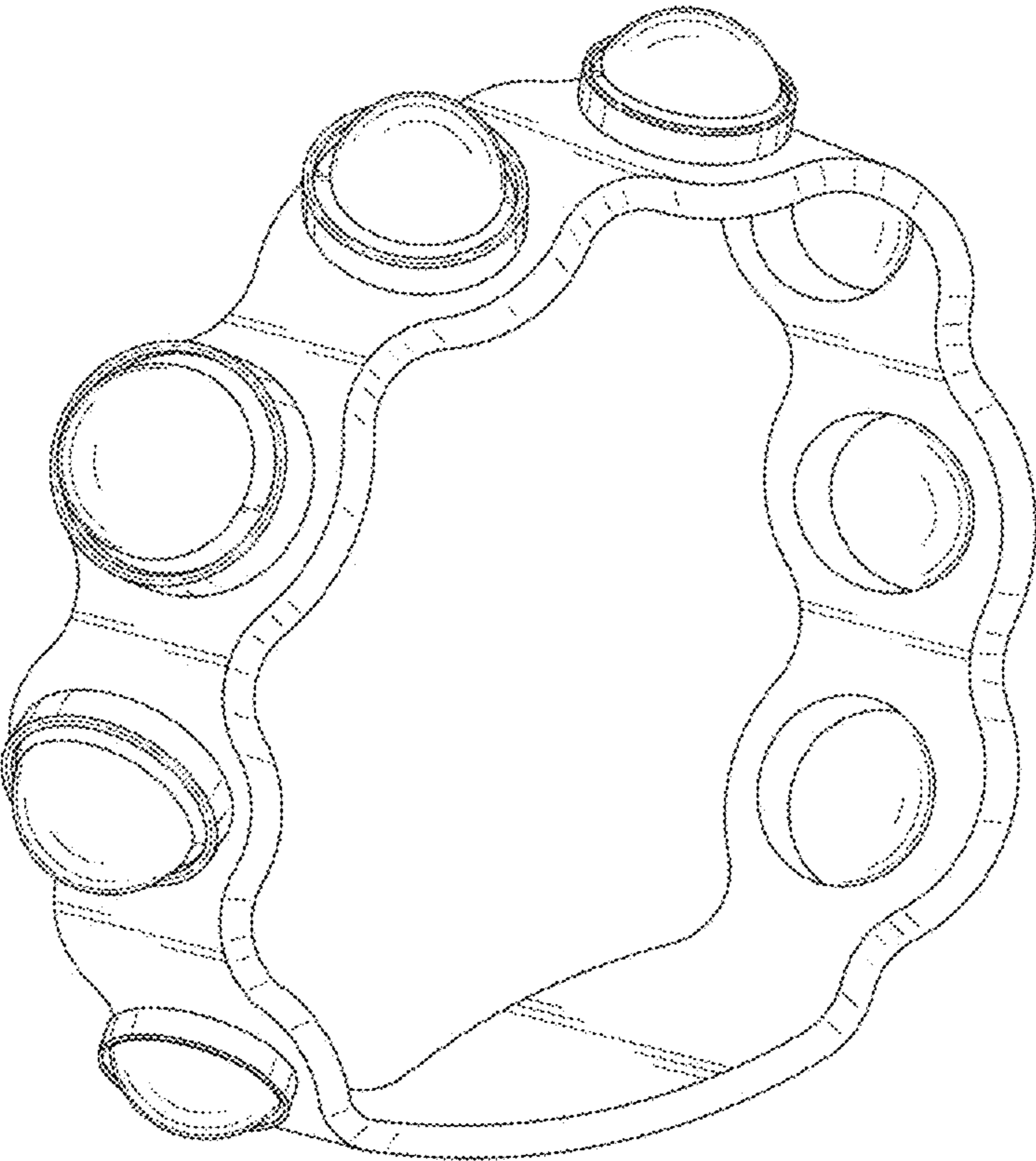
OTHER PUBLICATIONS

Newly Designed Wearable Push Bubble Sensory Pop Fidget Bracelets Toy. Date First Available: Nov. 8, 2021. Retrieved from internet: <<https://www.amazon.com.au/Designed-Wearable-Bracelets-Silicone-Wristbands/dp/B09L7VDG2V?th=1>> [site visited Oct. 6, 2022] (Year: 2021).*

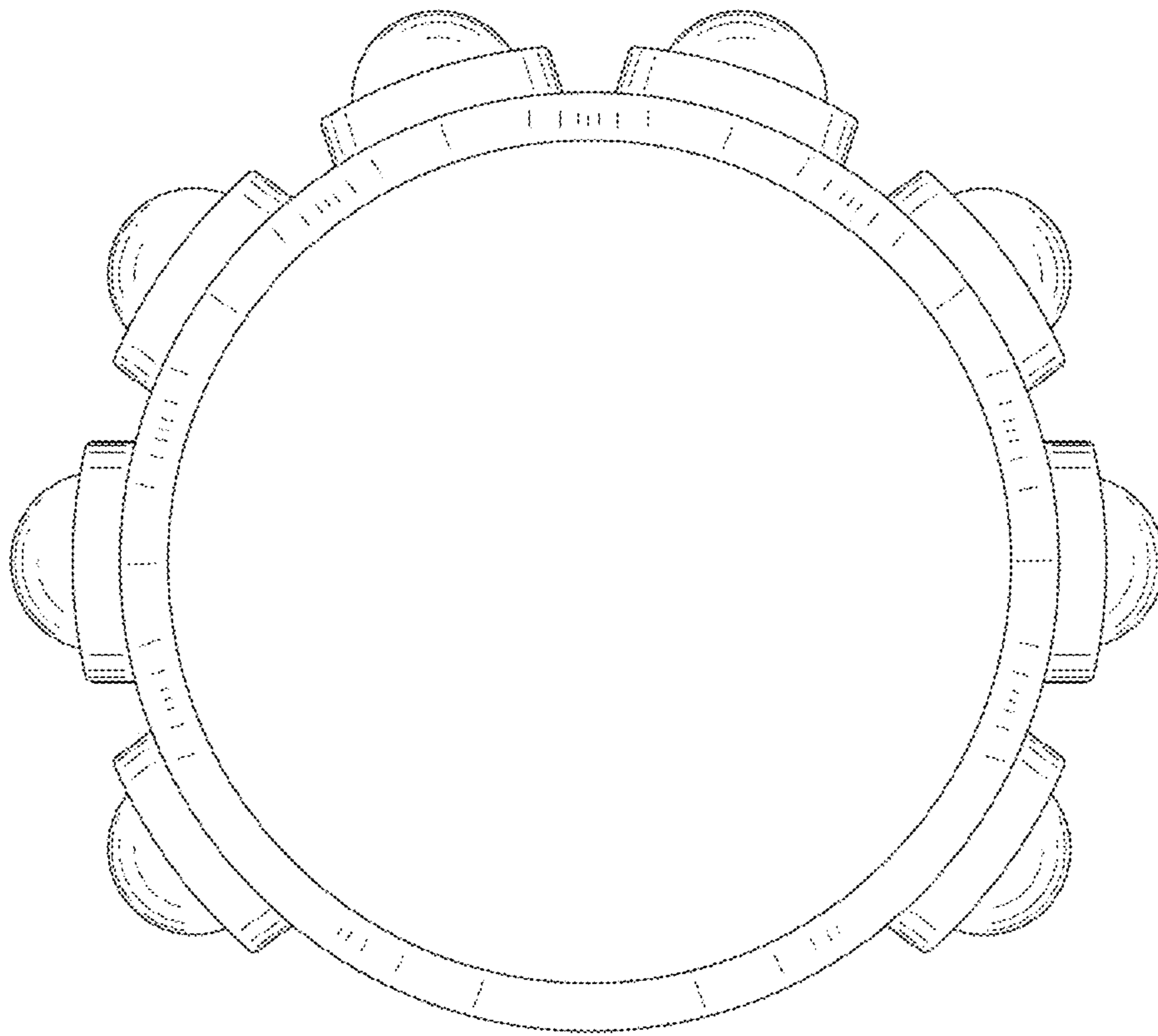
YKHENGTU Push Pop Bubble Fidget Bracelet Toys. Date First Available: May 20, 2021. Retrieved from internet: <<https://www.amazon.com.au/Bracelet-Wearable-Sensory-Bracelets-Silicone/dp/B09F94S73L>> [site visited Oct. 6, 2022] (Year: 2021).*

* cited by examiner

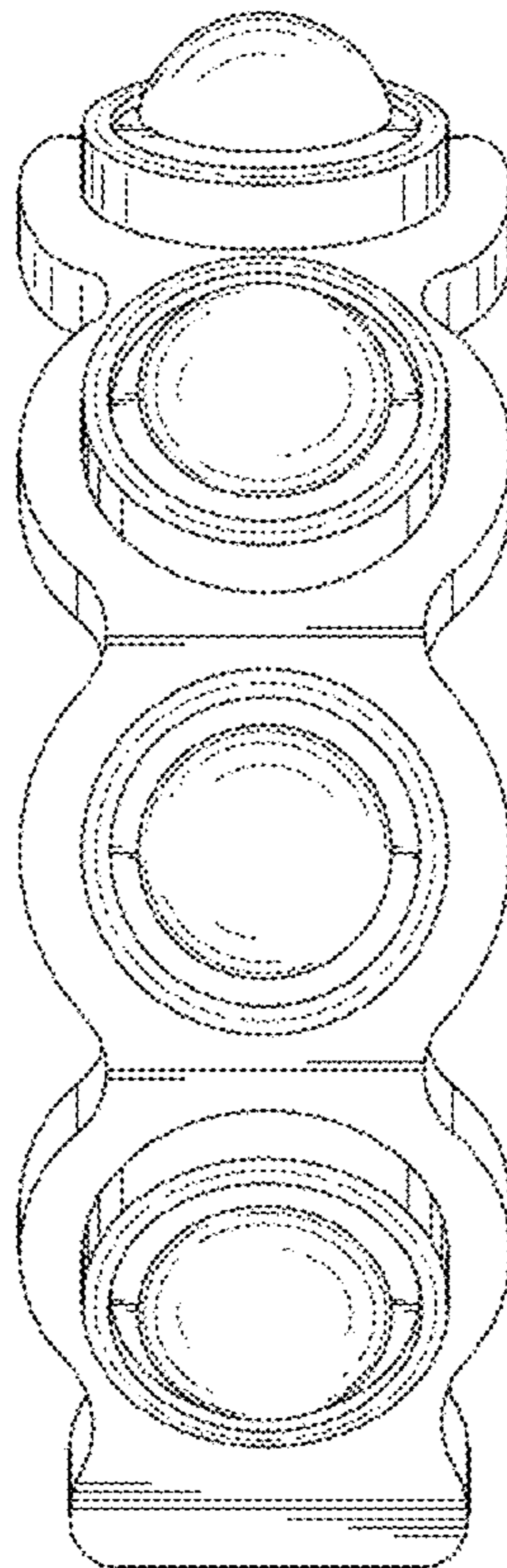
1.1



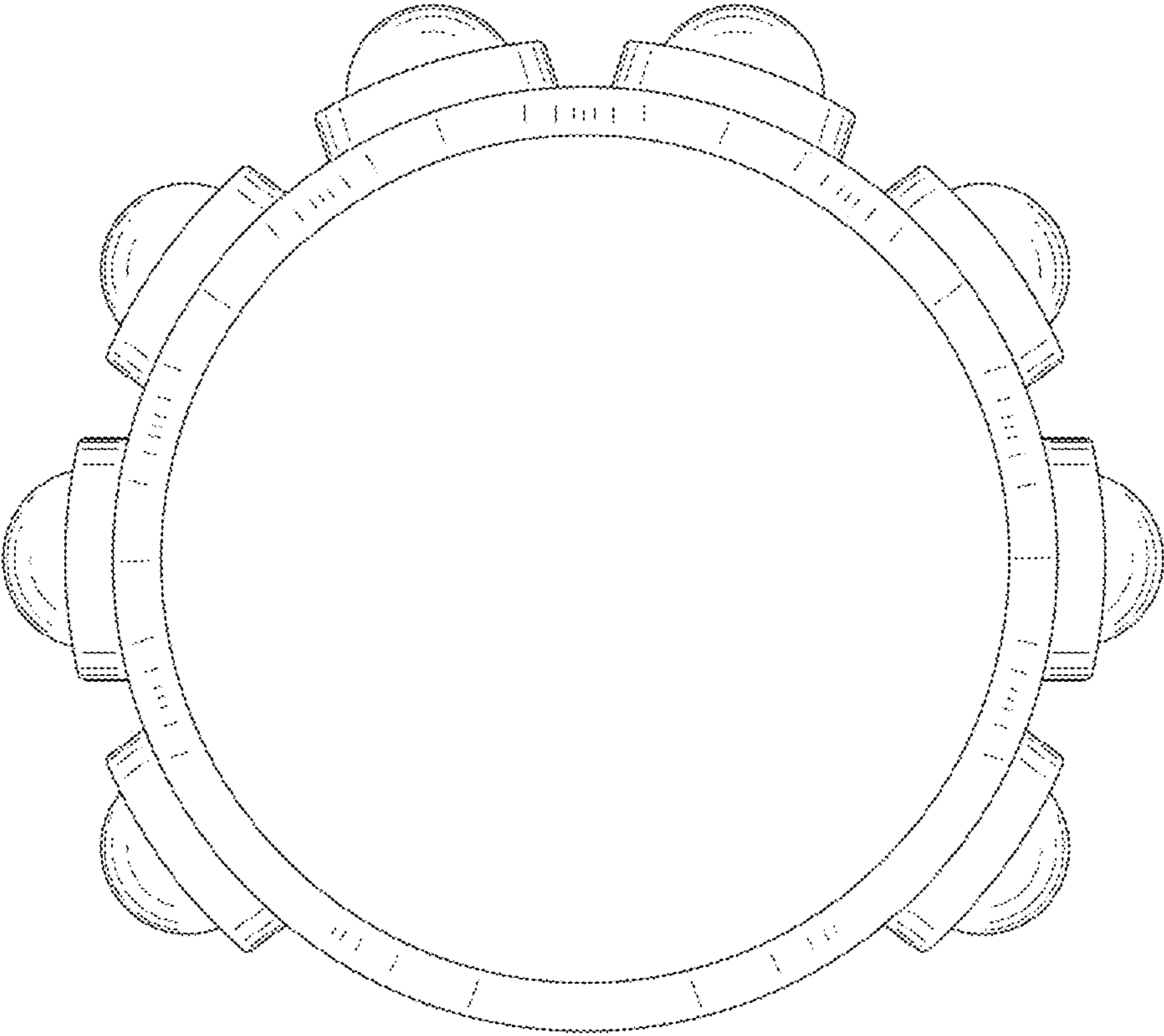
1.2



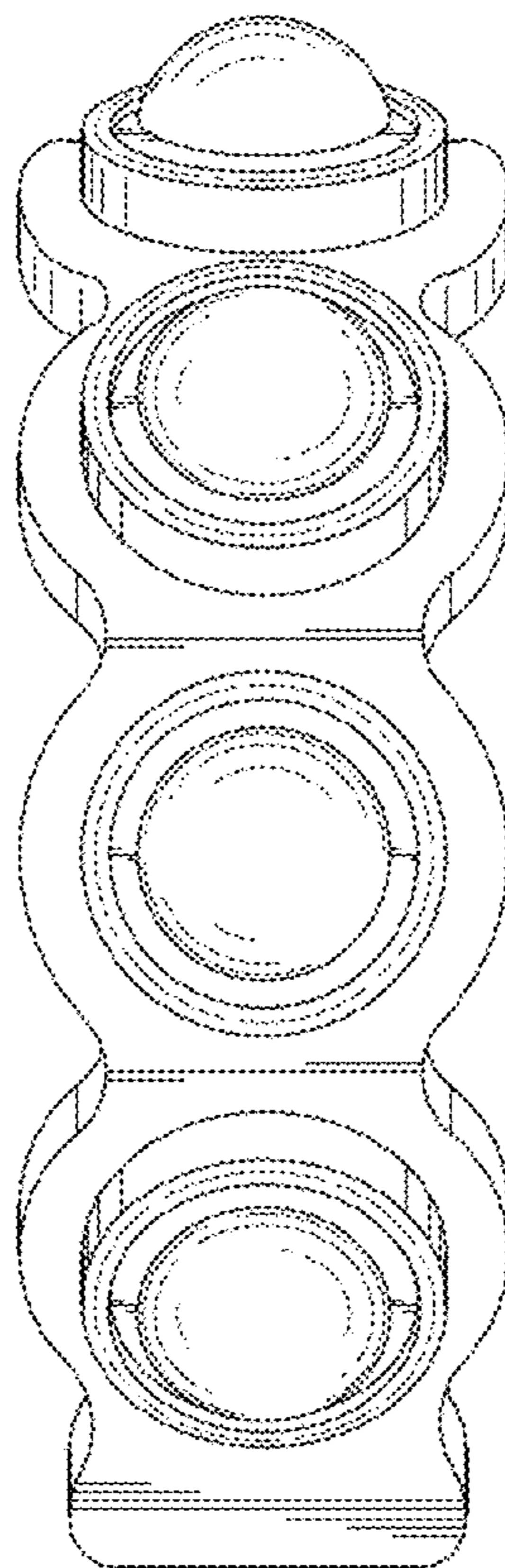
1.3



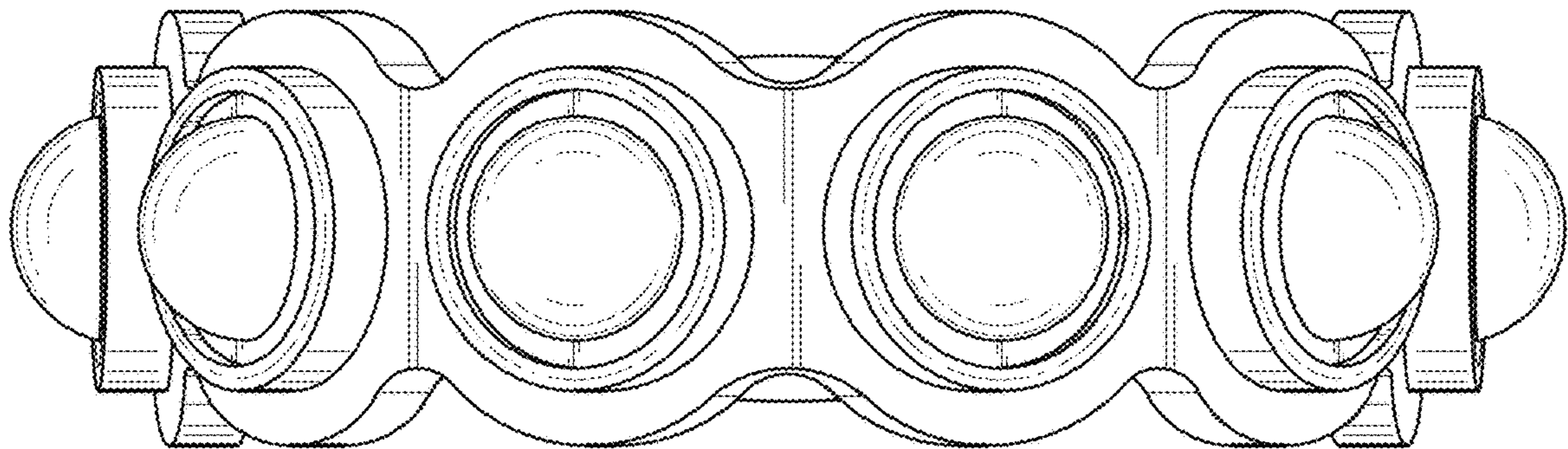
1.4



1.5



1.6



1.7

