



US00D976333S

(12) **United States Design Patent**
Chen et al.

(10) **Patent No.:** **US D976,333 S**
(45) **Date of Patent:** **** Jan. 24, 2023**

(54) **SCOOTER**
(71) Applicant: **Zhejiang Well Shine Industry & Trade Co., Ltd.,** Jinhua (CN)
(72) Inventors: **Xi Chen,** Jinhua (CN); **Fei Tang,** Jinhua (CN); **Liang Zhou,** Jinhua (CN); **Basheer Feroz,** Jinhua (CN); **Guiyan Ji,** Jinhua (CN)

D886,907 S * 6/2020 Gao B62J 6/16
D21/423
D911,456 S * 2/2021 Yu D21/423
D911,457 S * 2/2021 Yu D21/423
D915,524 S * 4/2021 Cao D21/423
D916,985 S * 4/2021 Wu B62K 3/002
D21/423
D921,765 S * 6/2021 Ostergaard D21/423
(Continued)

(73) Assignee: **ZHEJIANG WELL SHINE INDUSTRY & TRADE CO., LTD.,** Jinhua (CN)

FOREIGN PATENT DOCUMENTS
CN 008526842-0001 * 5/2021
JP D2021-00890 * 9/2022
JP D2021-00892 * 9/2022

(**) Term: **15 Years**
(21) Appl. No.: **29/781,937**
(22) Filed: **May 3, 2021**

OTHER PUBLICATIONS

Wayback Machine, J-Sky LG-ES1201, published Nov. 28, 2021 [retrieved Oct. 27, 2022]. Retrieved from the internet<<https://www.jskygroup.com/electric-scooter/73.html>> (Year: 2021).*
(Continued)

(30) **Foreign Application Priority Data**
Nov. 3, 2020 (CN) 202030658868.7

Primary Examiner — Joseph Kukella
Assistant Examiner — Lavon M. Amerson
(74) *Attorney, Agent, or Firm* — Bayramoglu Law Offices LLC

(51) **LOC (14) Cl.** **12-11**
(52) **U.S. Cl.**
USPC **D21/423**
(58) **Field of Classification Search**
USPC D12/107, 110-112; D21/423, 424, 426, D21/435, 533, 760, 765, 771
CPC B62K 3/002; B62K 9/00; B62K 15/00; B62K 2015/001; B62K 2015/003
See application file for complete search history.

(57) **CLAIM**
The ornamental design for a scooter, as shown and described.

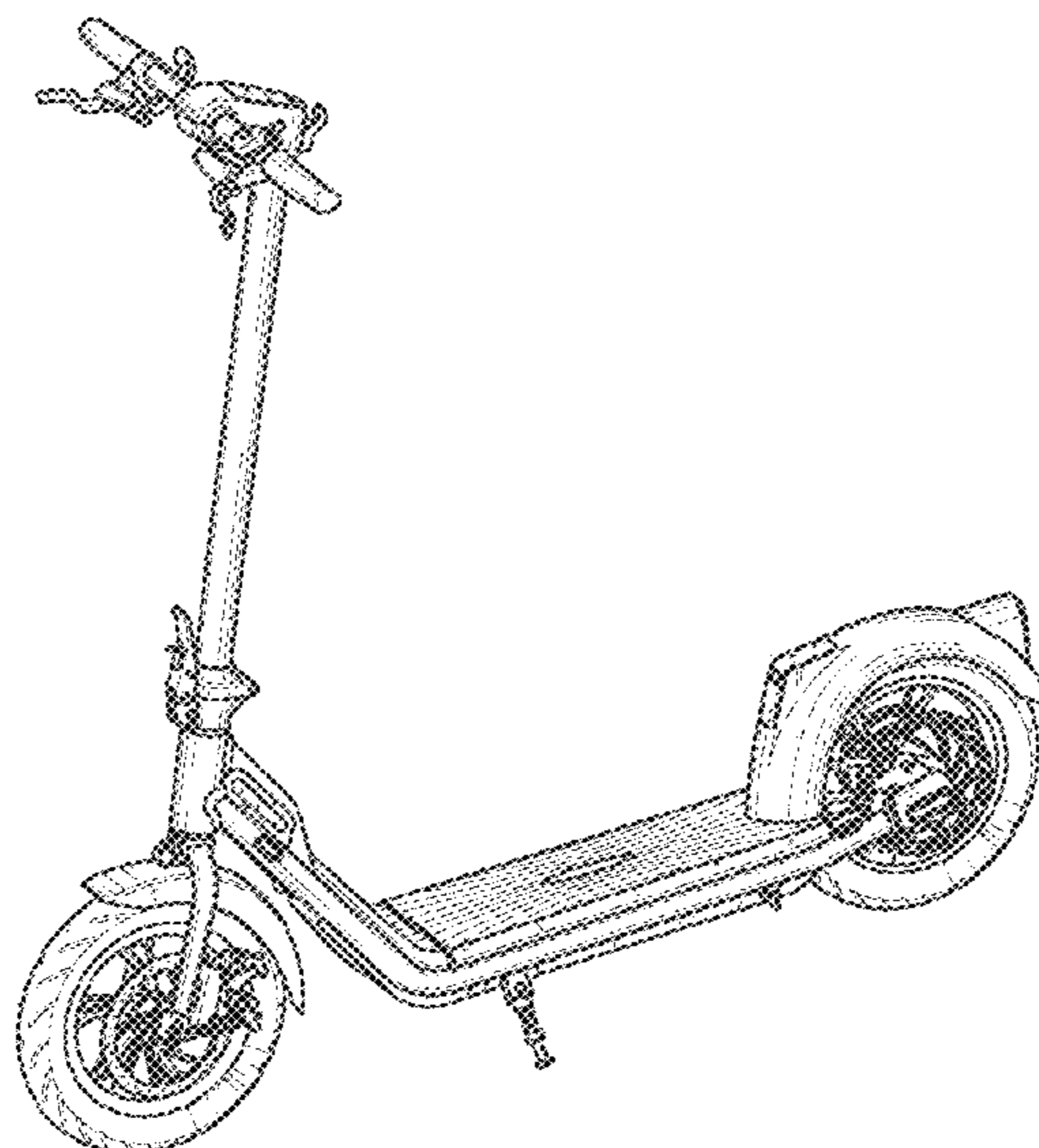
(56) **References Cited**
U.S. PATENT DOCUMENTS

DESCRIPTION

FIG. 1 is a perspective view of a scooter showing our new design;
FIG. 2 is a left side view thereof;
FIG. 3 is a right-side view thereof;
FIG. 4 is a front view thereof;
FIG. 5 is a rear view thereof;
FIG. 6 is a top view thereof; and,
FIG. 7 is a bottom view thereof.

4,761,014 A * 8/1988 Huang B62M 1/30
280/258
D727,833 S * 4/2015 Talios B62J 15/00
D12/423
D872,191 S * 1/2020 Lee B62K 21/02
D21/423

1 Claim, 7 Drawing Sheets



(56)

References Cited

U.S. PATENT DOCUMENTS

D922,306 S * 6/2021 Dongfang D12/423
D923,103 S * 6/2021 Zheng D21/423
D923,715 S * 6/2021 Wang D21/423
D927,604 S * 8/2021 Han D21/423
D936,750 S * 11/2021 Wu D21/423
D943,032 S * 2/2022 Yao D21/423
11,364,967 B1 * 6/2022 Owen B62K 3/002
D958,257 S * 7/2022 Cai D21/423
D958,900 S * 7/2022 Liu D21/423
2011/0031711 A1 * 2/2011 Grossman B62J 6/16
280/87.041
2011/0316247 A1 * 12/2011 Johnson B62K 3/002
280/87.05
2012/0228845 A1 * 9/2012 Wegener B62J 23/00
280/87.041
2020/0283086 A1 * 9/2020 Ulmen B62K 11/14
2021/0323626 A1 * 10/2021 Liu B62K 21/02
2022/0234671 A1 * 7/2022 Qi H01M 50/204
2022/0266941 A1 * 8/2022 Ying B62K 3/002
2022/0340227 A1 * 10/2022 Tan B62J 15/00

OTHER PUBLICATIONS

YouTube, Navee N65 Electric Scooter Review, published Feb. 8, 2022 [retrieved Oct. 27, 2022]. Retrieved from the Internet<<https://www.youtube.com/watch?v=A2udZDFOfhM>> (Year: 2022).*

* cited by examiner



Fig. 1

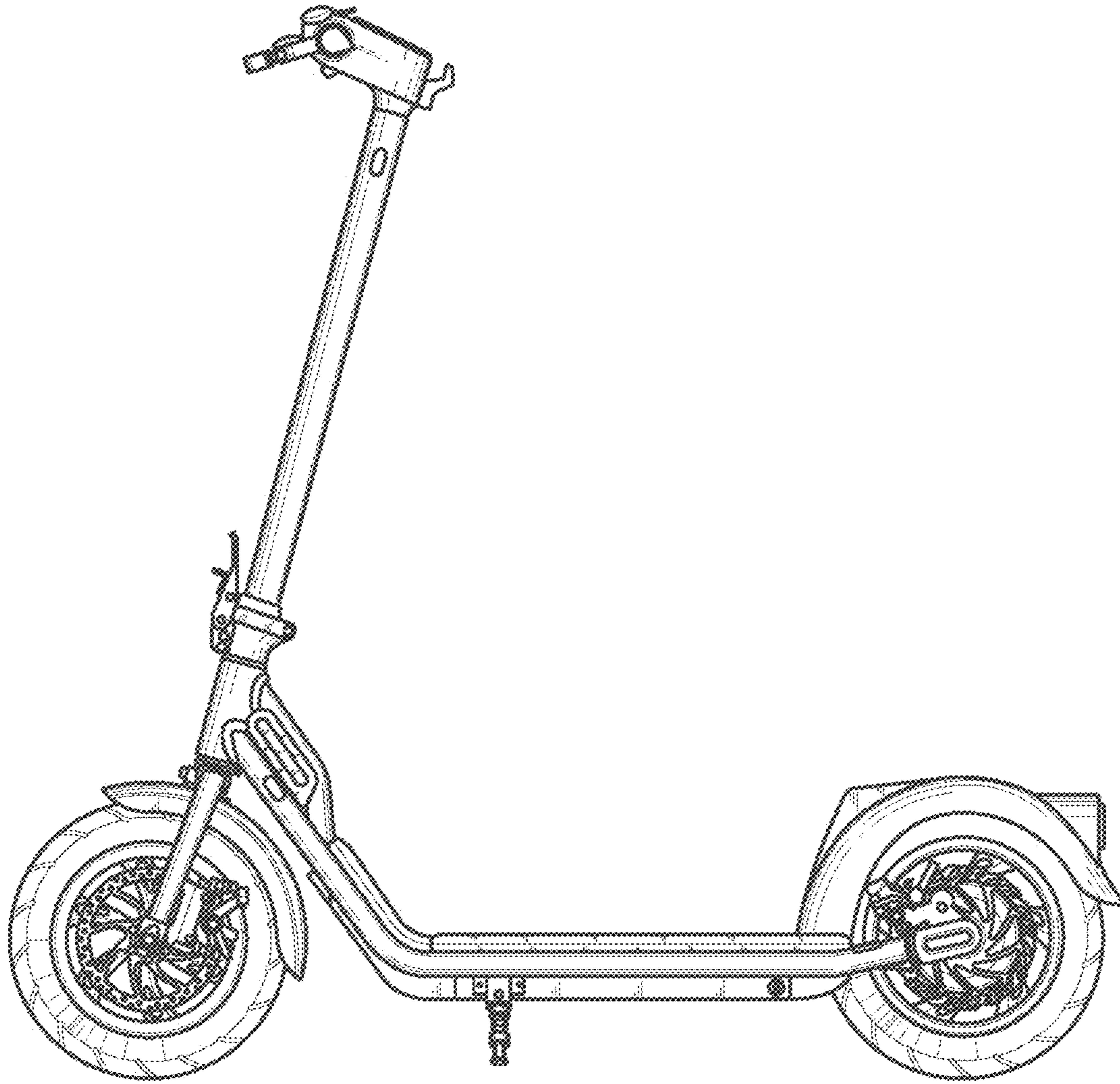


Fig. 2

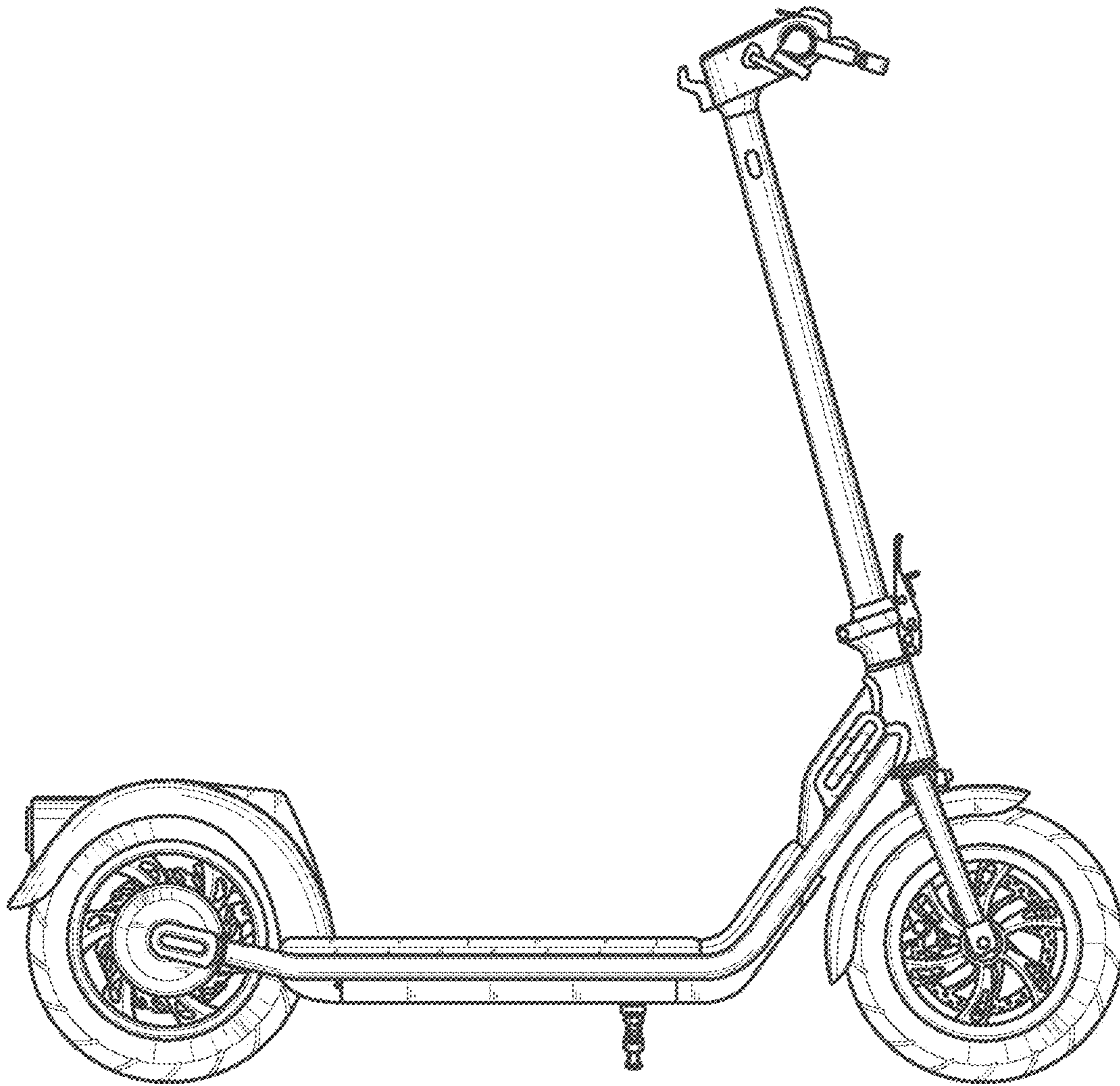


Fig. 3

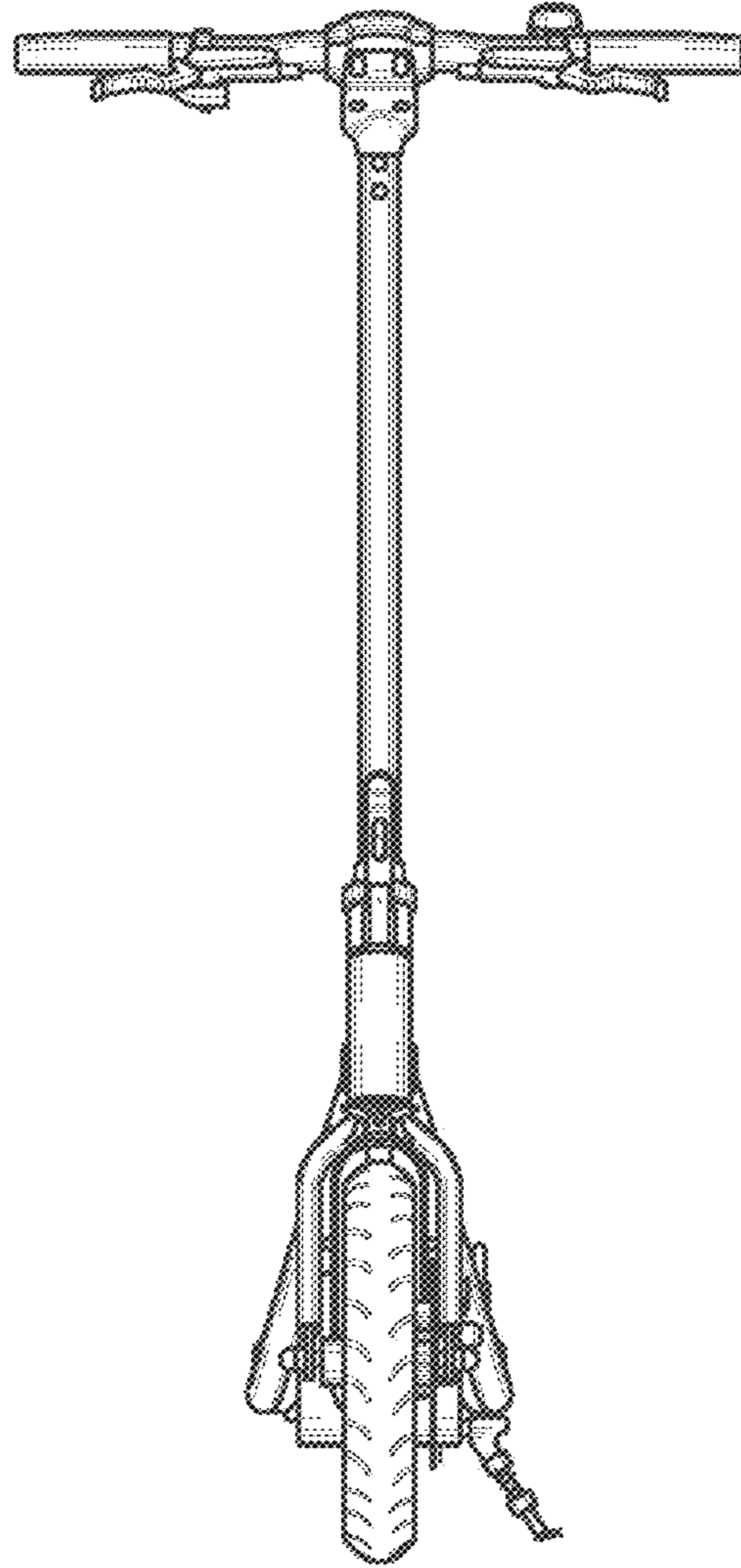


Fig. 4

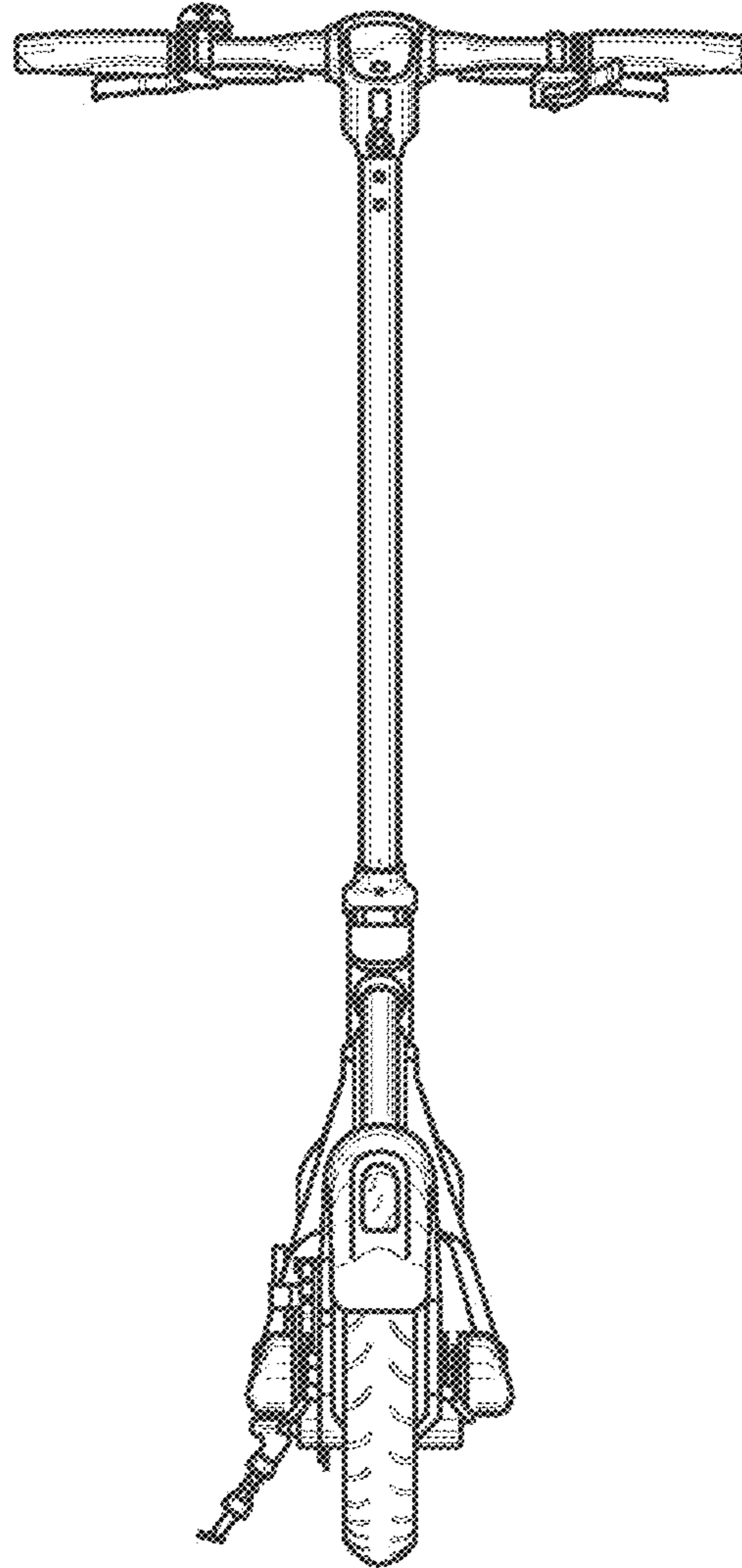


Fig. 5

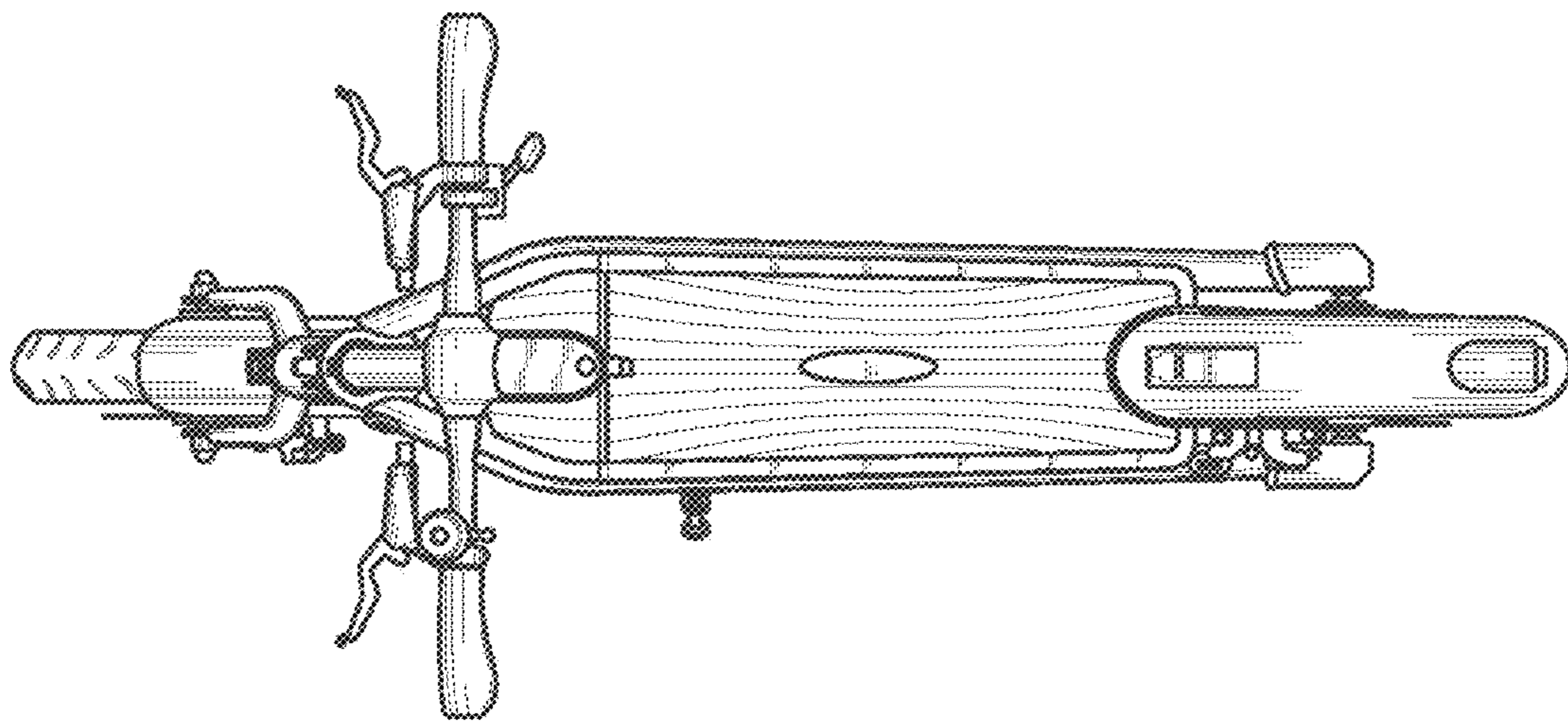


Fig. 6

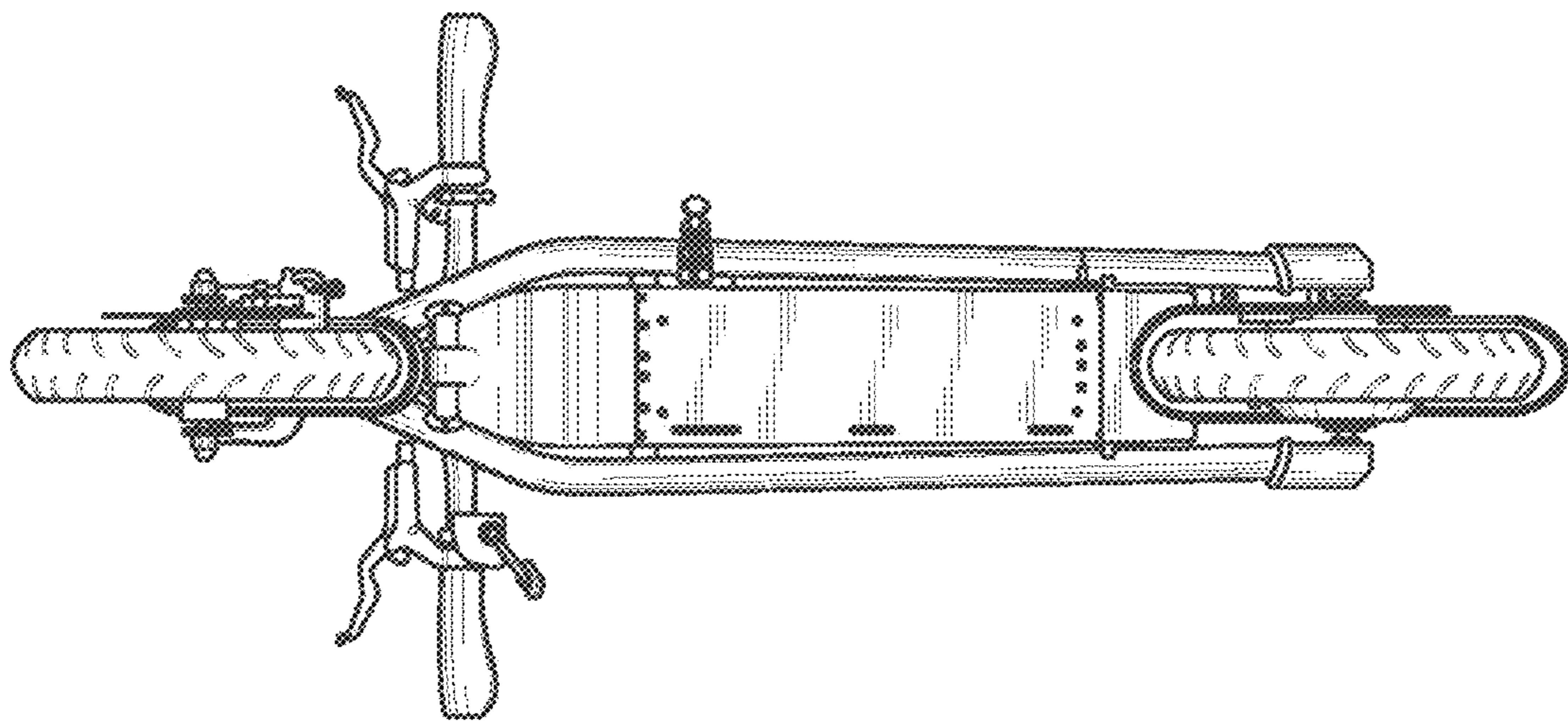


Fig. 7