



US00D976326S

(12) **United States Design Patent**  
**Zhu**

(10) **Patent No.:** **US D976,326 S**  
(45) **Date of Patent:** **\*\* Jan. 24, 2023**

- (54) **JOYSTICK LED LAYOUT MAT**
- (71) Applicant: **Jiarui Zhu**, Zhongshan (CN)
- (72) Inventor: **Jiarui Zhu**, Zhongshan (CN)
- (\*\*) Term: **15 Years**
- (21) Appl. No.: **29/816,715**
- (22) Filed: **Nov. 24, 2021**
- (51) **LOC (14) Cl.** ..... **21-01**
- (52) **U.S. Cl.**  
USPC ..... **D21/333**
- (58) **Field of Classification Search**  
USPC ..... D21/324, 328, 329, 330, 332, 333, 341,  
D21/342, 349, 386; D14/250, 345, 353,  
D14/401, 402, 425, 440, 441, 444,  
D14/449-450, 454, 455, 456; D12/163,  
D12/170, 171, 216; D6/703.3, 703.4,  
D6/703.5; D23/381, 335; D24/189;  
174/383, 384, 385, 390, 392, 394  
CPC ..... A63F 13/98; A63F 2007/3095; C09J 7/38;  
C09J 2201/122; G06F 3/03543; G06F  
2203/0333  
See application file for complete search history.

(56) **References Cited**  
U.S. PATENT DOCUMENTS

D689,951 S	9/2013	McCann	
D712,408 S	* 9/2014	Sumii	D14/401
D712,484 S	* 9/2014	Sumii	D14/401

D744,045 S	* 11/2015	Buller	D14/401
D765,789 S	* 9/2016	Buller	D21/333
D798,388 S	9/2017	McCann	
D866,664 S	* 11/2019	Strahle	D21/333
D867,458 S	* 11/2019	Strahle	D21/333
D902,938 S	* 11/2020	Buller	D14/454
D919,009 S	* 5/2021	Buller	D21/333
D920,341 S	* 5/2021	Buller	D14/454
D933,751 S	* 10/2021	Kobayashi	D14/416
D953,432 S	* 5/2022	Zhu	D21/333
D953,433 S	* 5/2022	Zhu	D21/333
D953,434 S	* 5/2022	Zhu	D21/333
D958,893 S	* 7/2022	Zhu	D21/333
D963,660 S	* 9/2022	Buller	D21/333
2019/0054382 A1	* 2/2019	Morris	B32B 25/16

\* cited by examiner

*Primary Examiner* — Mehri F Bajoul

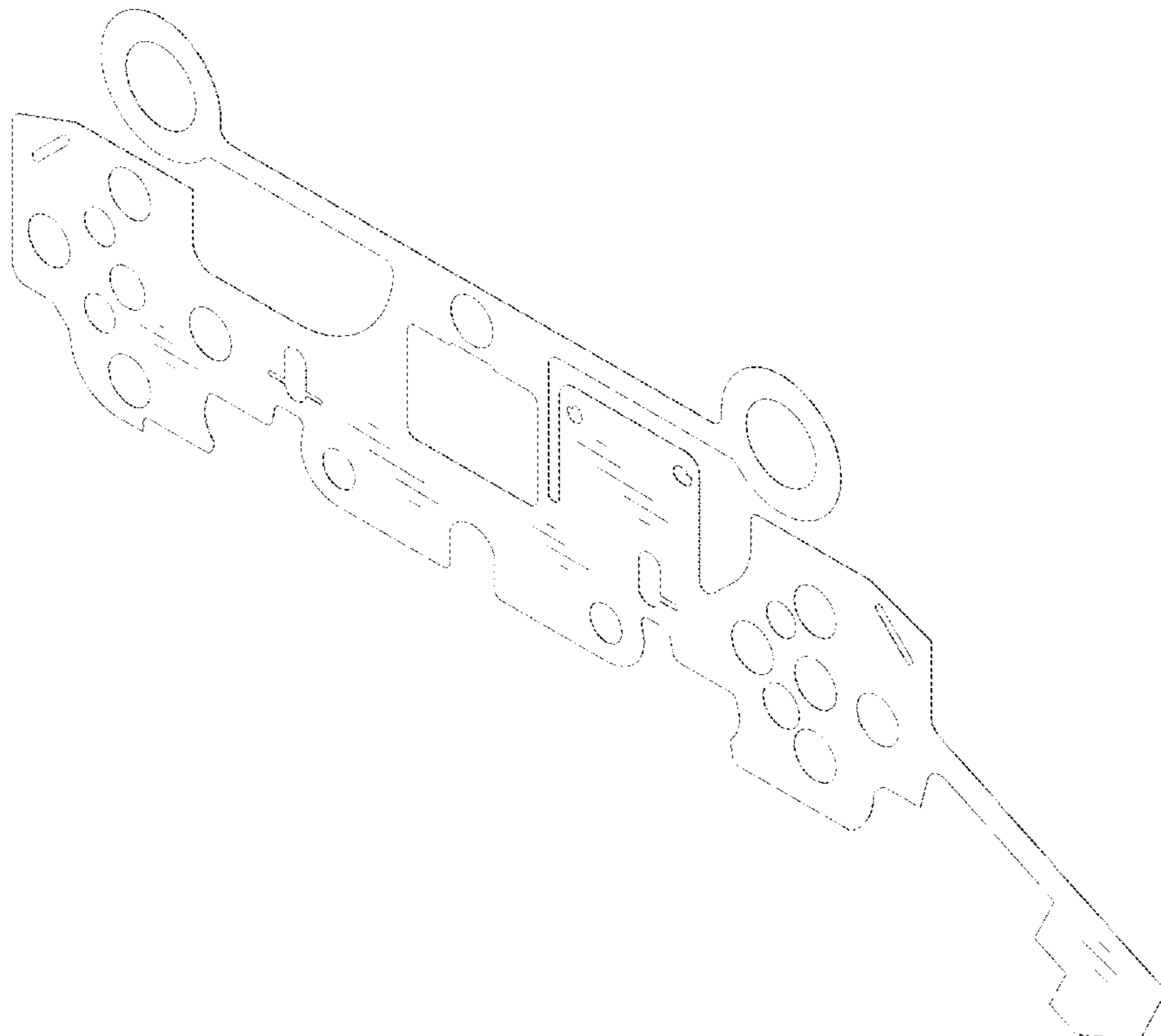
(57) **CLAIM**

The ornamental design for a joystick LED layout mat, as shown and described.

**DESCRIPTION**

FIG. 1 is a front, right and top perspective view of a joystick LED layout mat showing my new design;  
 FIG. 2 is a rear, left and bottom perspective view thereof;  
 FIG. 3 is a front view thereof;  
 FIG. 4 is a rearview thereof;  
 FIG. 5 is a left view thereof;  
 FIG. 6 is a right view thereof;  
 FIG. 7 is a top view thereof; and,  
 FIG. 8 is a bottom view thereof.

**1 Claim, 8 Drawing Sheets**



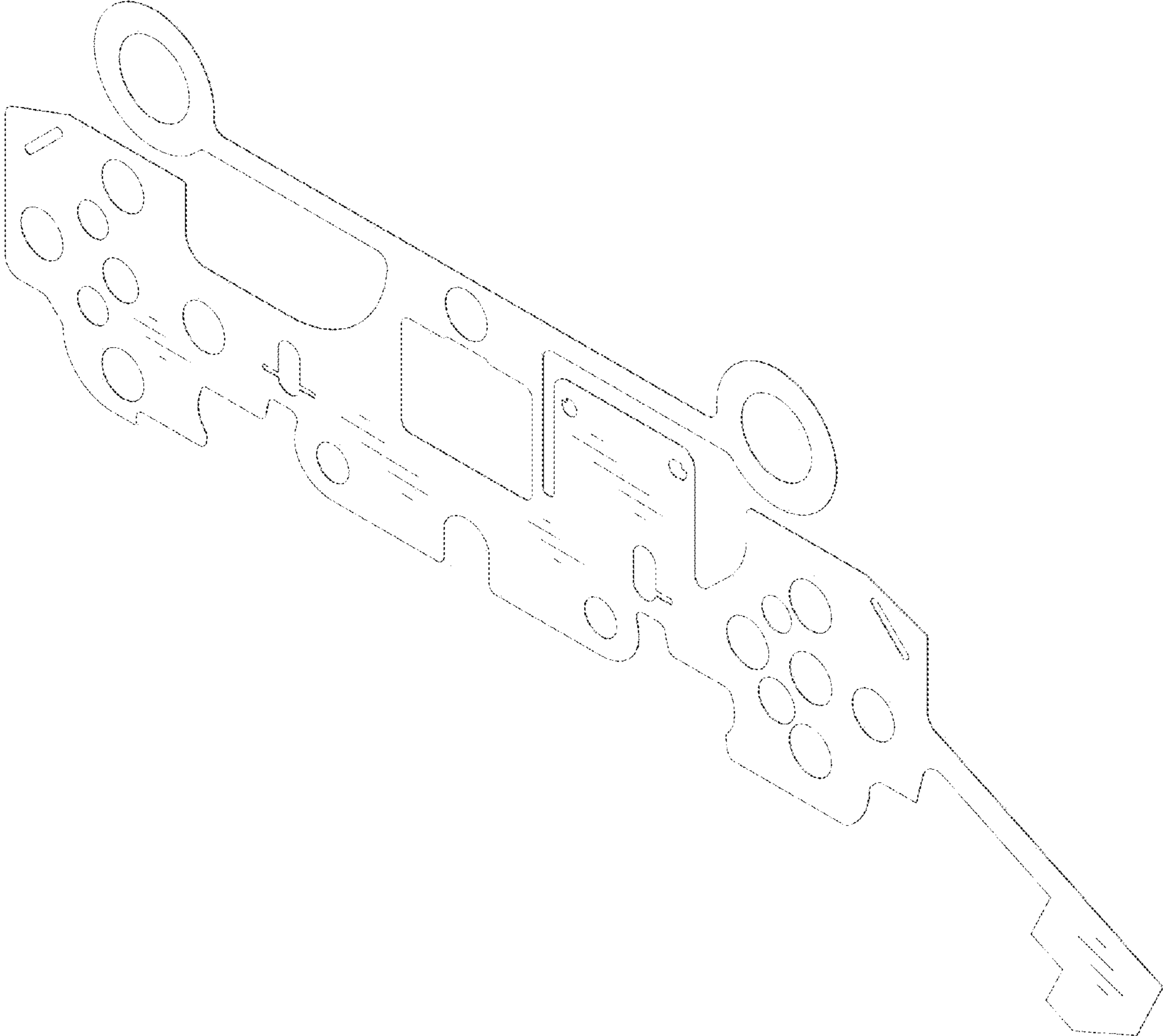


FIG. 1

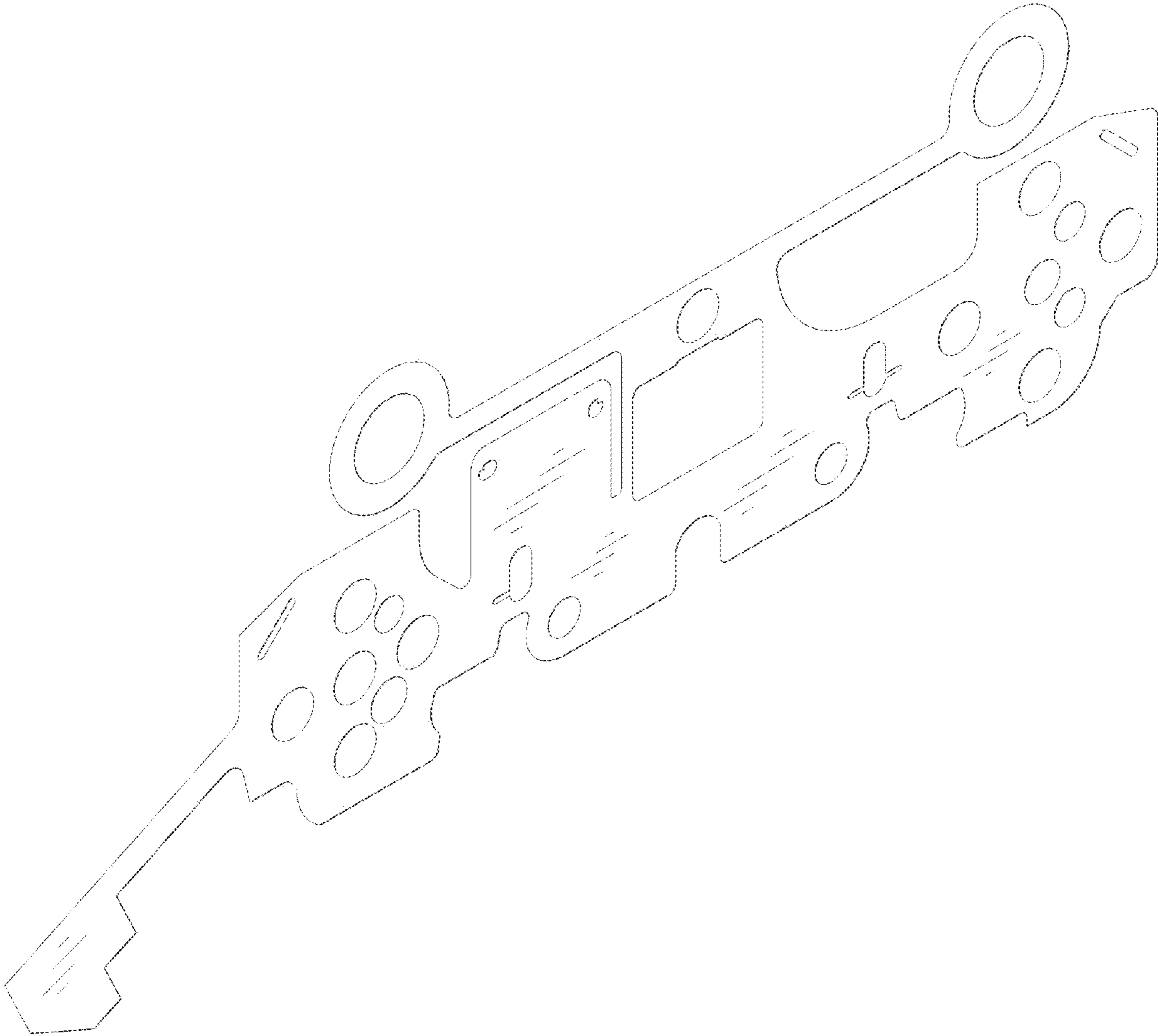


FIG. 2

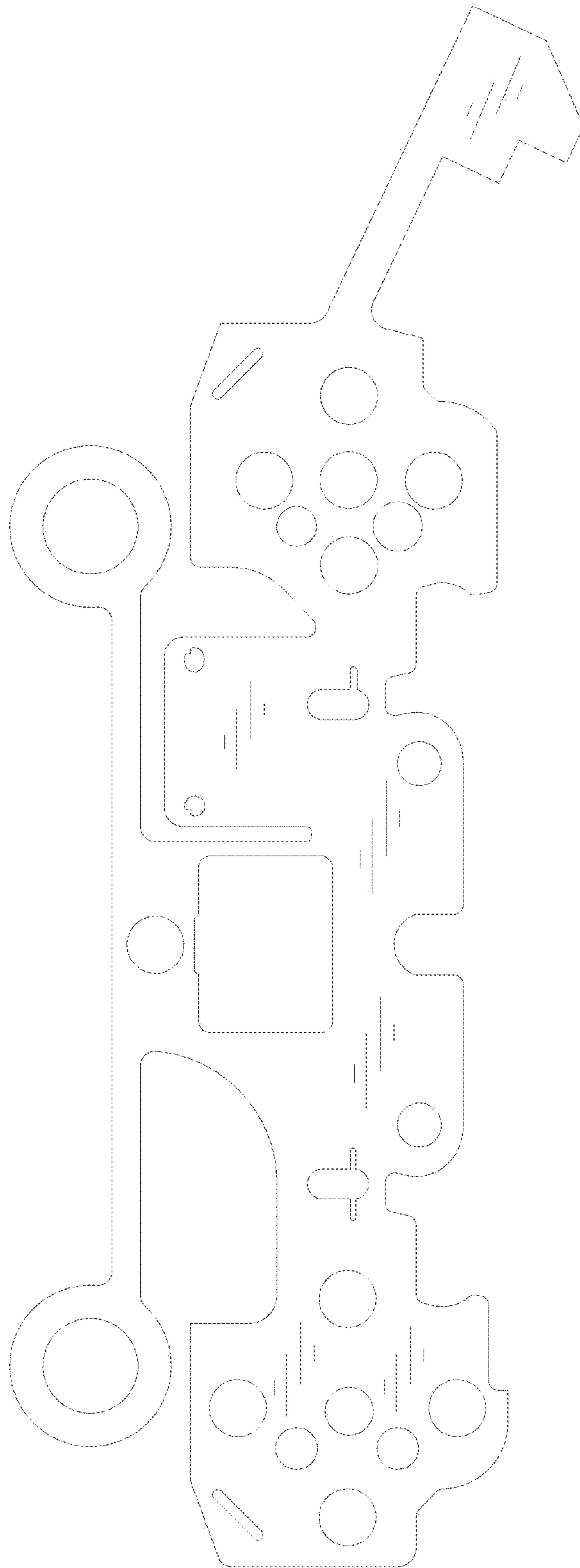


FIG. 3

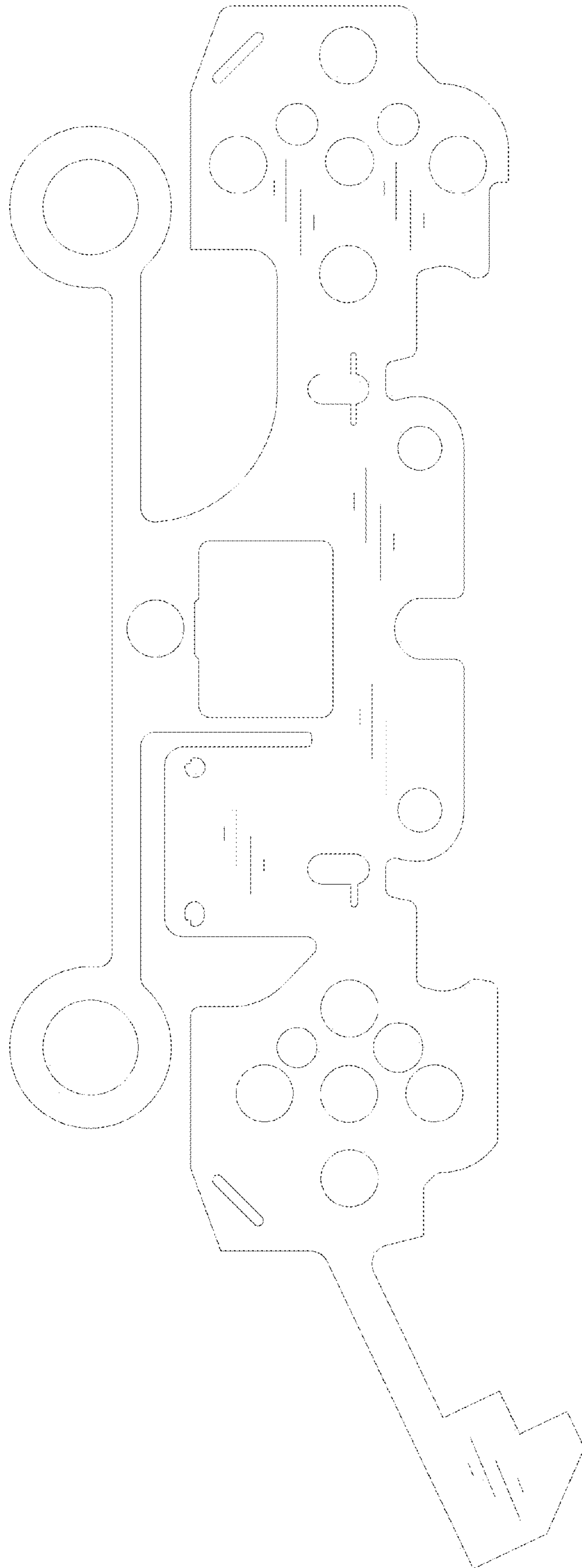


FIG. 4



FIG. 5



FIG. 6

FIG. 7



FIG. 8