



US00D976325S

(12) **United States Design Patent**
Fuchs et al.

(10) **Patent No.:** **US D976,325 S**
(45) **Date of Patent:** **** Jan. 24, 2023**

(54) **GAME CONTROLLER WITH TOUCHSCREEN**

(71) Applicant: **Arkade, Inc.**, Centennial, CO (US)
(72) Inventors: **Joshua Allan Fuchs**, Granada Hills, CA (US); **Roman Boichuk**, Kiev (UA)
(73) Assignee: **ARKADE, INC.**, Centennial, CO (US)
(**) Term: **15 Years**

(21) Appl. No.: **29/758,369**

(22) Filed: **Nov. 13, 2020**

(51) **LOC (14) Cl.** **21-01**

(52) **U.S. Cl.**
USPC **D21/333**

(58) **Field of Classification Search**
USPC D21/325, 326, 327, 333, 324, 328, 332, D21/566, 329, 330, 694; D14/401, 400, D14/454, 412, 496, 416, 418, 413, 203.3, D14/203.5, 218, 415, 252, 414, 419, 457, D14/203, 203.1, 203.7, 204, 217, 240, D14/253, 333, 342, 357, 358, 388, 403, D14/434, 455, 456, 410, 492, 258, 301, D14/393, 432, 489
CPC A63F 13/13; A63F 13/23; A63F 13/235; A63F 13/24; A63F 13/26; A63F 13/843; A63F 13/98; A63F 13/323; A63F 2009/2407; A63F 2250/52; A63F 2300/00; A63F 2300/1031; A63F 2009/2488

See application file for complete search history.

(56) **References Cited**

U.S. PATENT DOCUMENTS

D453,932 S * 2/2002 Han D21/333
D471,552 S * 3/2003 Loughnane D14/401
6,760,013 B2 7/2004 Willner et al.
D545,317 S * 6/2007 Wang D14/401
D709,499 S * 7/2014 Morris D21/333

D712,970 S * 9/2014 Biheller D21/333
D765,790 S * 9/2016 Chatterjee D21/333
D767,682 S * 9/2016 Bellinghausen D14/401

(Continued)

FOREIGN PATENT DOCUMENTS

CN 303051008 12/2014
CN 303826973 8/2016

(Continued)

OTHER PUBLICATIONS

Razer Kishi Smartphone Gaming Controller. Date First Available: Jun. 9, 2020. Retrieved from internet: <<https://www.amazon.com/dp/B084W8P5FP>> [site visited May 18, 2022] (Year: 2020).*

(Continued)

Primary Examiner — Katherine Glennon
Assistant Examiner — Yuan Yuan
(74) *Attorney, Agent, or Firm* — Volpe Koenig P.C.; Daniel E. Rose

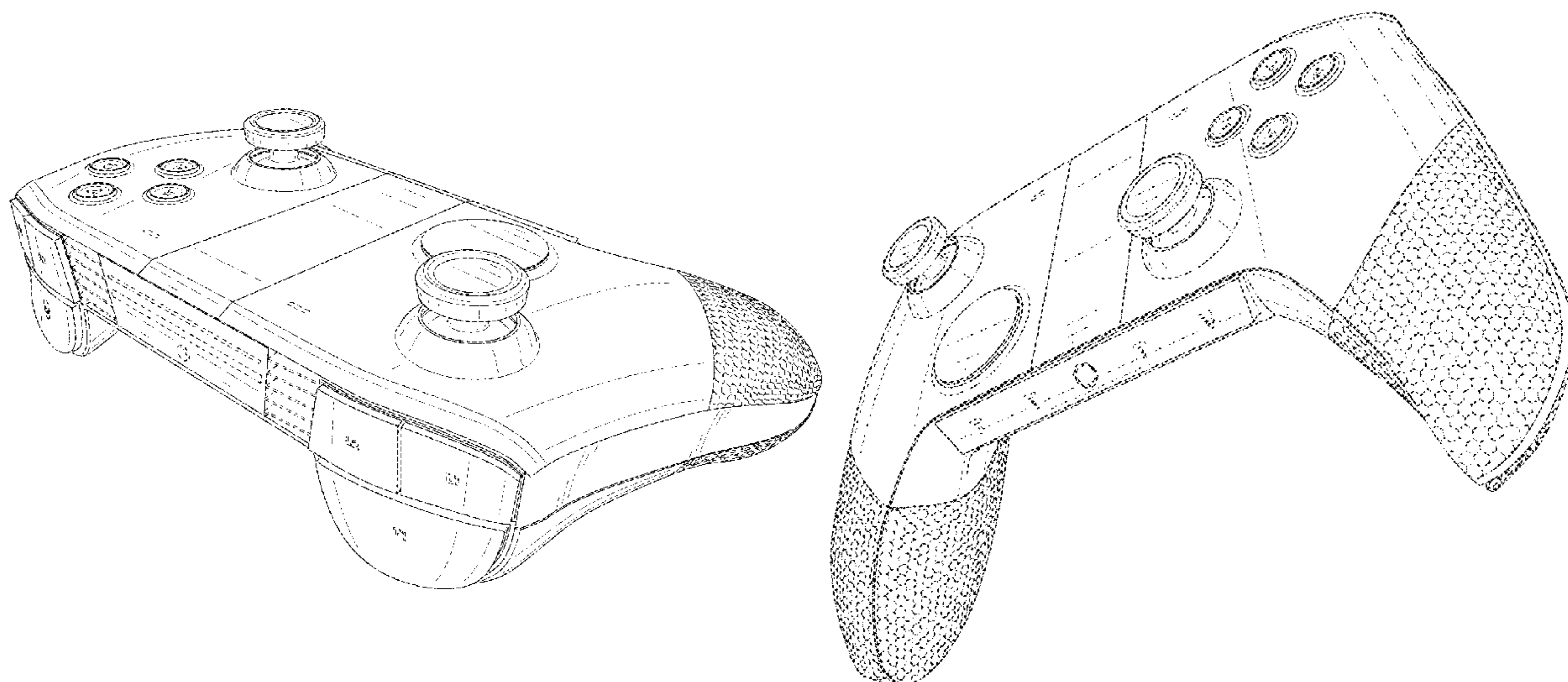
(57) **CLAIM**

The ornamental design for a game controller with touchscreen, as shown and described.

DESCRIPTION

FIG. 1 shows a rear perspective view of a game controller with touchscreen.
FIG. 2 shows a front perspective view thereof.
FIG. 3 shows a top view thereof.
FIG. 4 shows a bottom view thereof.
FIG. 5 shows a left side view thereof.
FIG. 6 shows a right side view thereof.
FIG. 7 shows a rear view thereof; and,
FIG. 8 shows a front view thereof.
The broken lines in the Figures depict portions of the game controller with touchscreen that form no part of the claimed design.

1 Claim, 8 Drawing Sheets



(56)

References Cited

U.S. PATENT DOCUMENTS

9,713,768 B2 7/2017 Uy et al.
 10,427,036 B2 10/2019 Burgess et al.
 10,471,345 B1 11/2019 Fuchs et al.
 D875,180 S * 2/2020 Wang D21/333
 10,736,700 B2 8/2020 Mercado
 10,742,436 B2 8/2020 Franke et al.
 D897,441 S * 9/2020 Yang D21/333
 D907,706 S * 1/2021 Yang D21/333
 D909,487 S * 2/2021 Whitaker D21/333
 D912,734 S * 3/2021 Yang D21/333
 D923,098 S * 6/2021 Zhao D21/333
 D924,977 S * 7/2021 Saito D21/333
 D928,883 S * 8/2021 Zhou D21/333
 2002/0128064 A1 9/2002 Sobota
 2004/0147317 A1 7/2004 Ito et al.
 2005/0083297 A1 4/2005 Duncan
 2010/0144437 A1 6/2010 Gray
 2014/0035888 A1 2/2014 Levasseur et al.
 2014/0378227 A1* 12/2014 Lee A63F 13/24
 463/37
 2015/0217191 A1* 8/2015 Yan A63F 13/235
 463/37

2018/0207523 A1 7/2018 Lyden
 2019/0163226 A1 5/2019 Kihara et al.
 2020/0085515 A1 3/2020 Jawidzik

FOREIGN PATENT DOCUMENTS

CN 305161445 5/2019
 JP D1581313 7/2017
 JP D1660012 5/2020
 JP D1668775 9/2020
 JP D1671060 10/2020
 WO WO-96/13001 5/1996
 WO WO-2020/254824 12/2020

OTHER PUBLICATIONS

Anonymous, "J3R 'Rocker' Potentiometer," retrieved from the Internet: URL:<https://web.archive.org/web/20190619103309/http://www.precisionsales.com/joystick/J3r-rocker-pot.htm>, retrieved on Sep. 7, 2021, 1 page.
 International Search Report and Written Opinion for International Application No. PCT/US2019/065200, dated Jan. 17, 2020, 7 pages.
 PS Vita—Rear Touch Features Dec. 16, 2020, from URL link: <https://www.youtube.com/watch?v=DGXIQYMWG50> Feb. 23, 2012.

* cited by examiner

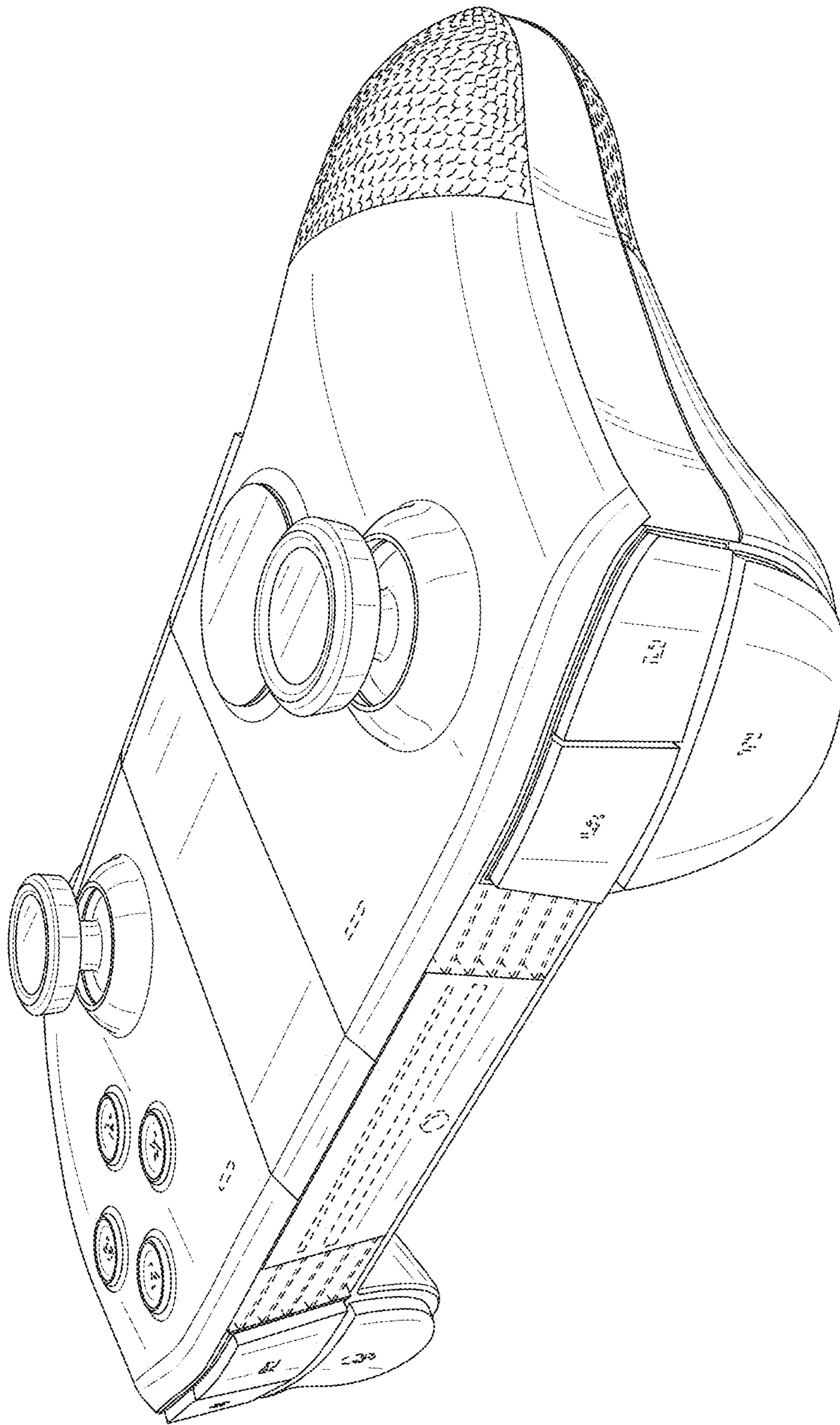


FIG. 1

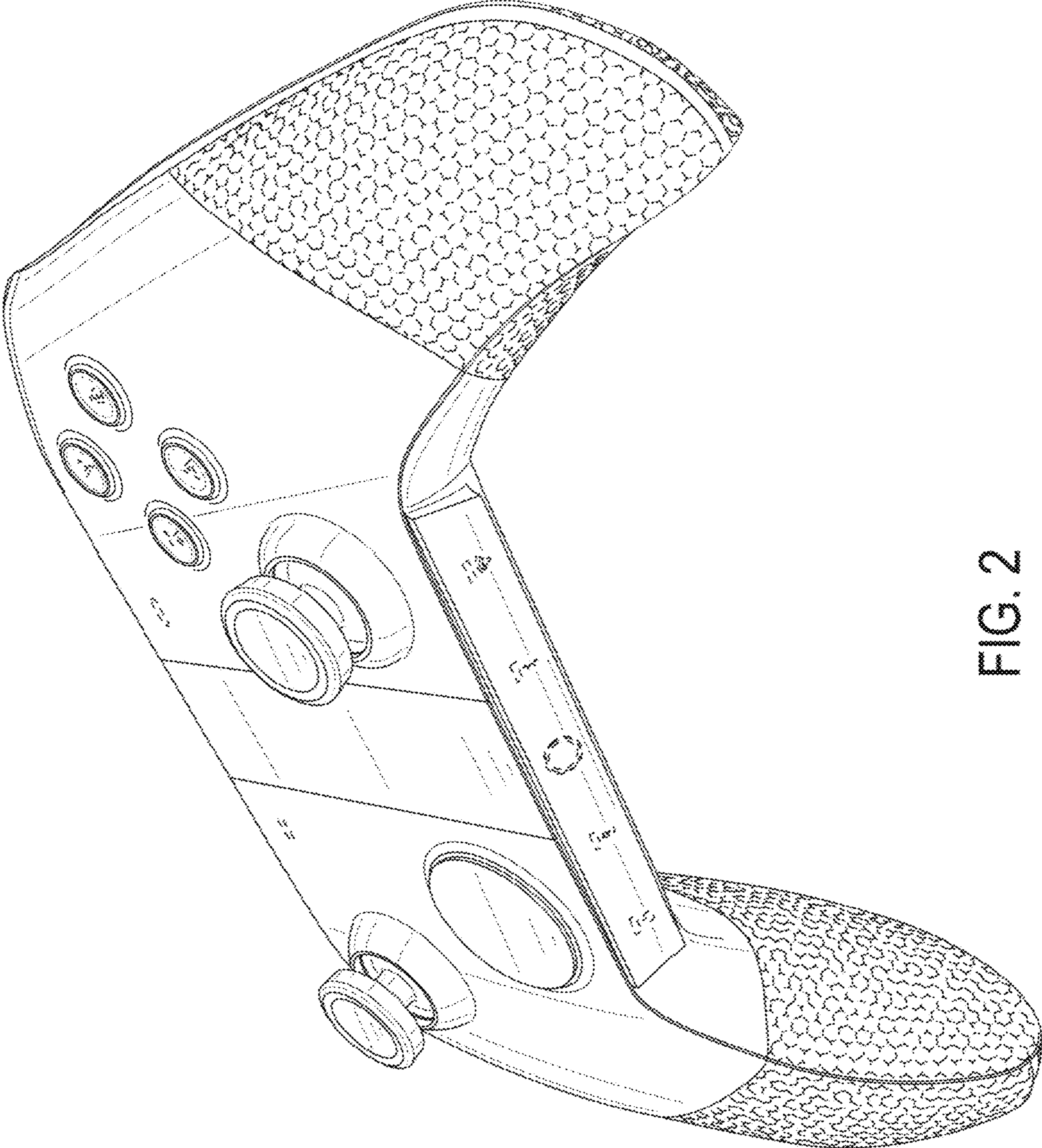


FIG. 2

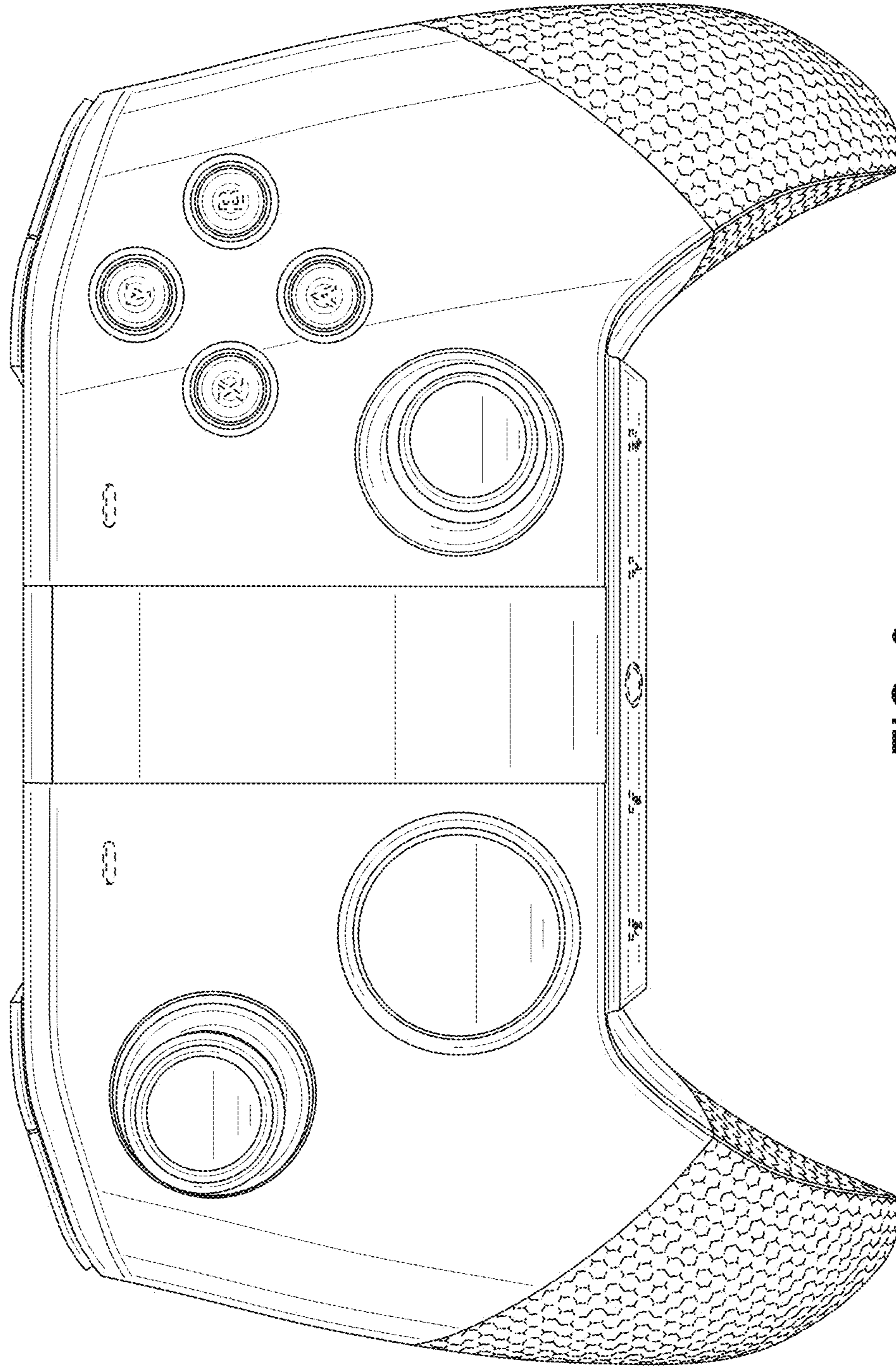


FIG. 3

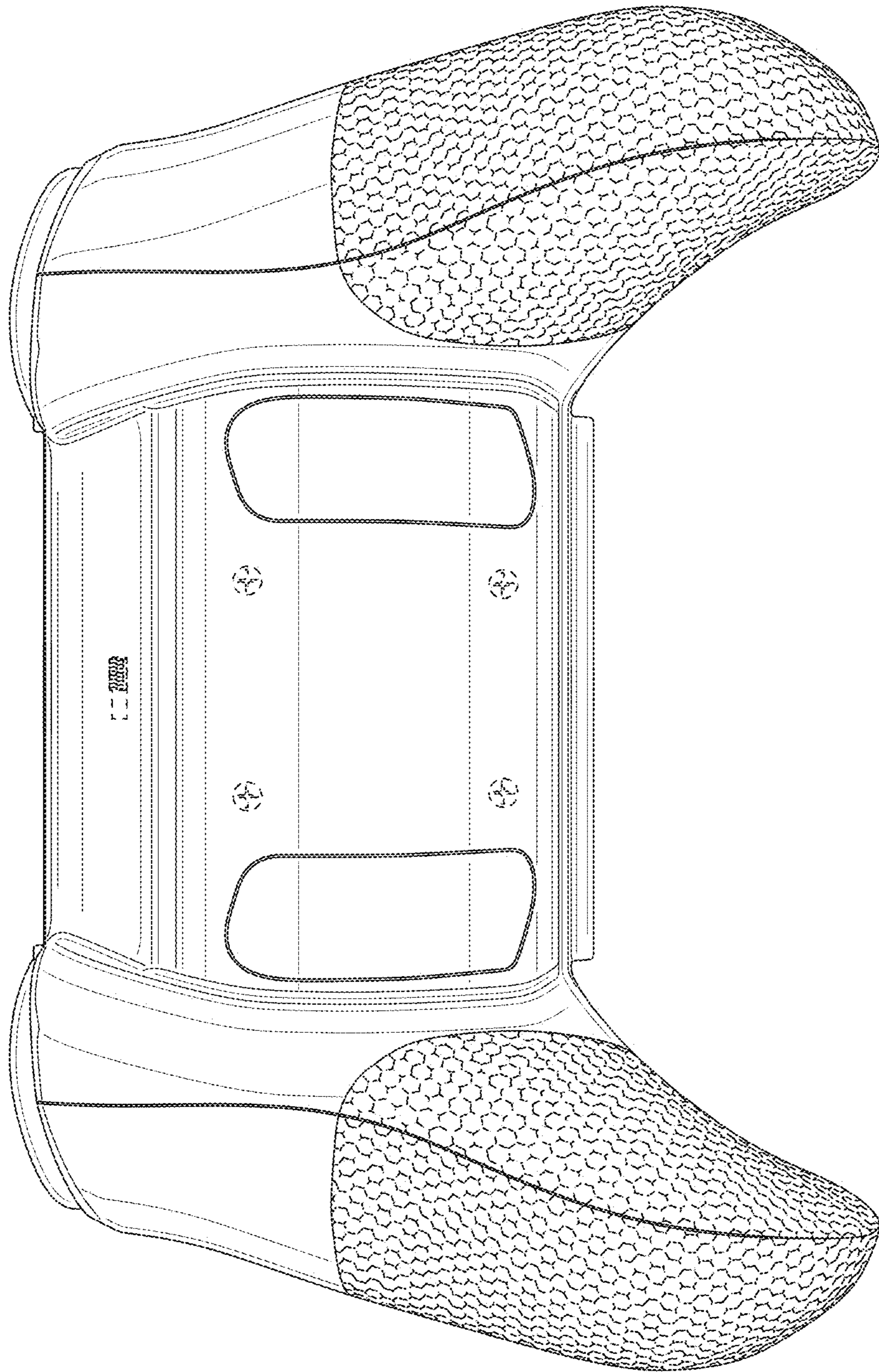


FIG. 4

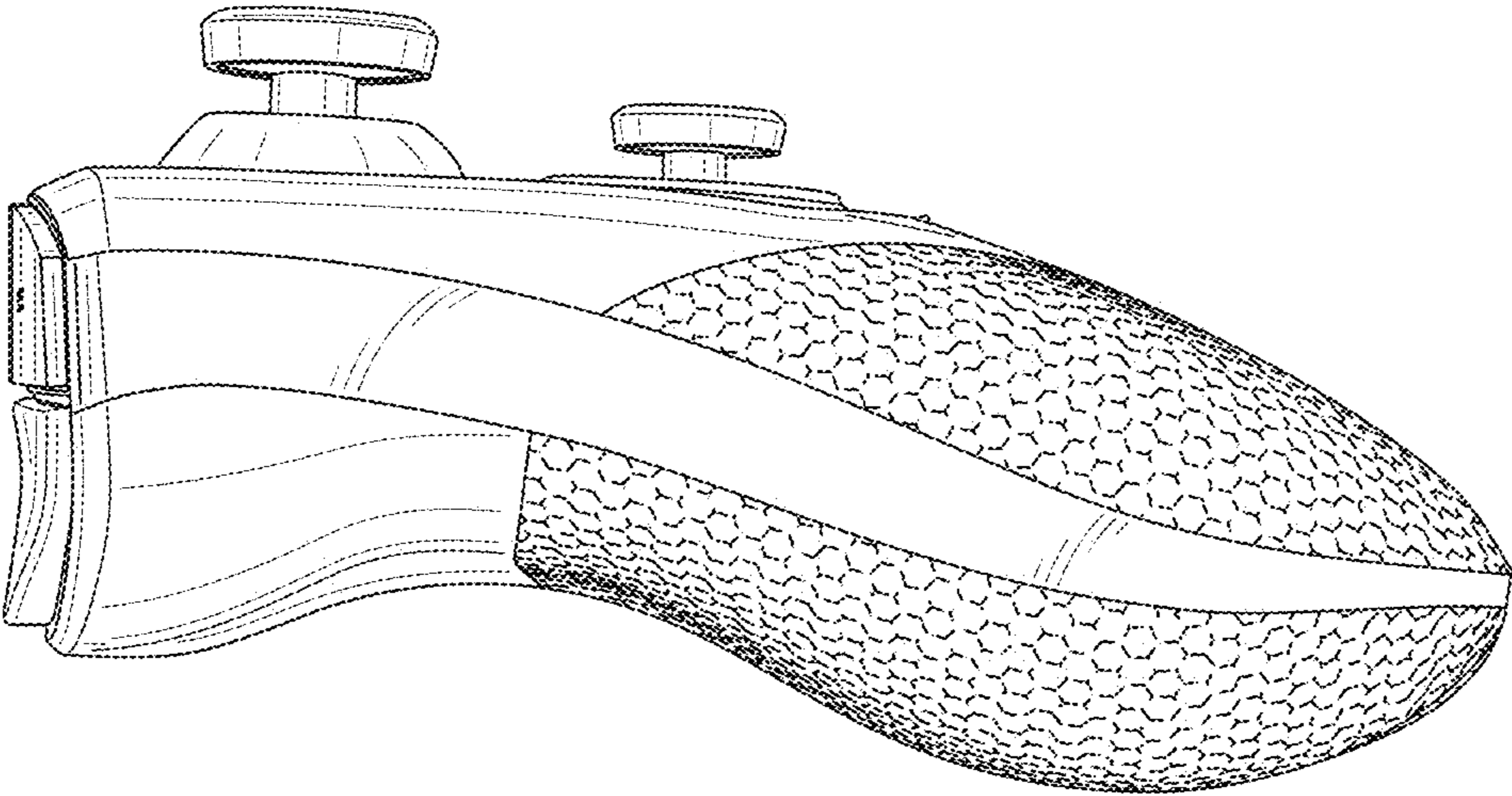


FIG. 5

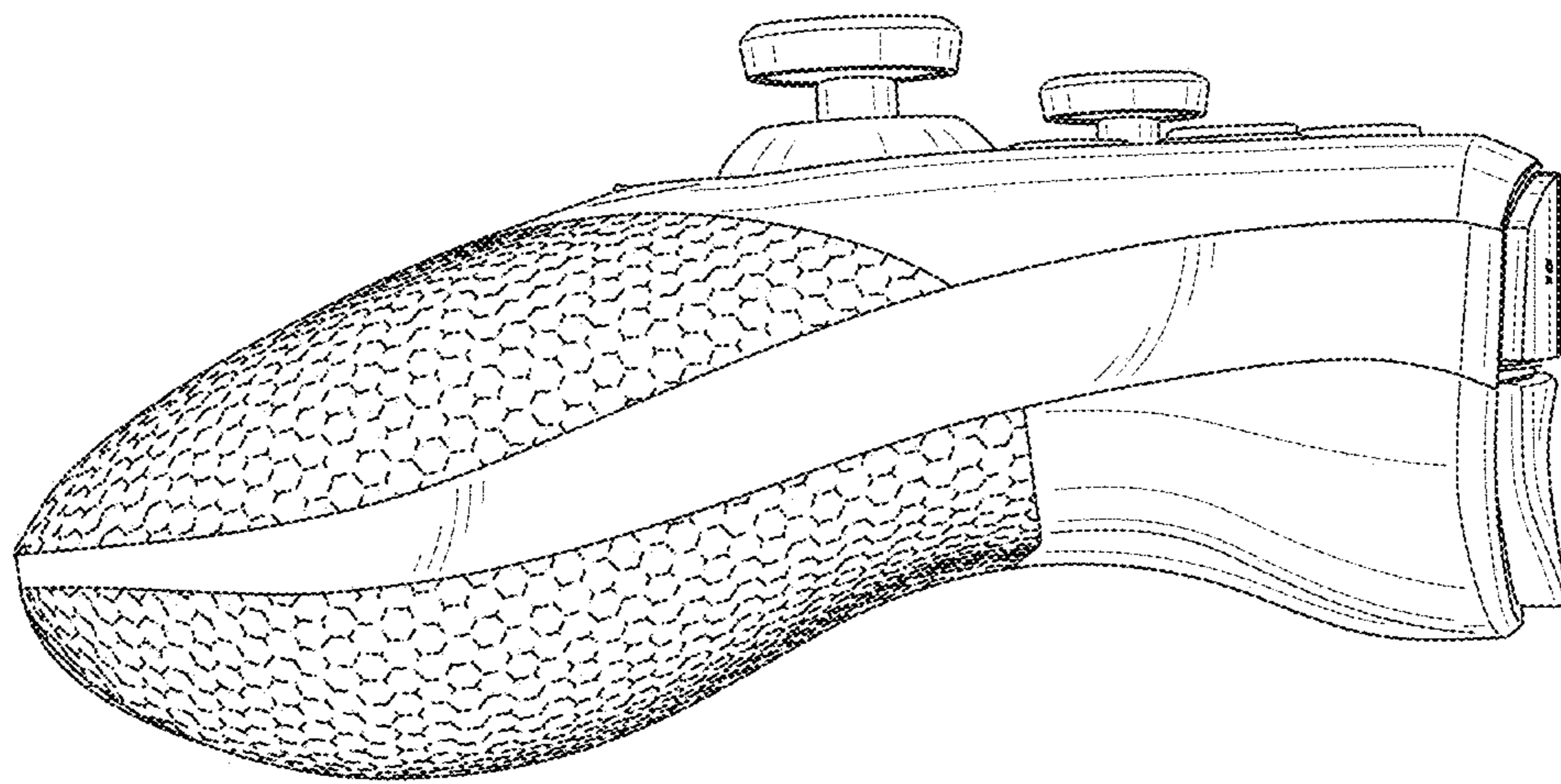


FIG. 6

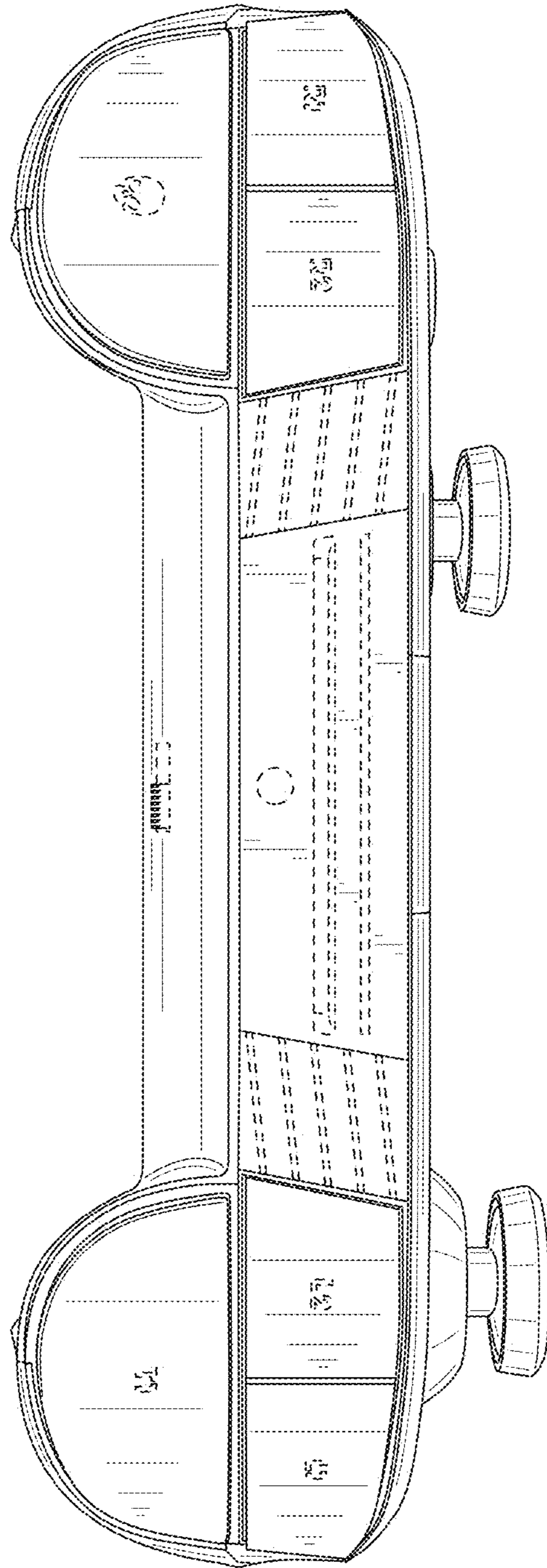


FIG. 7

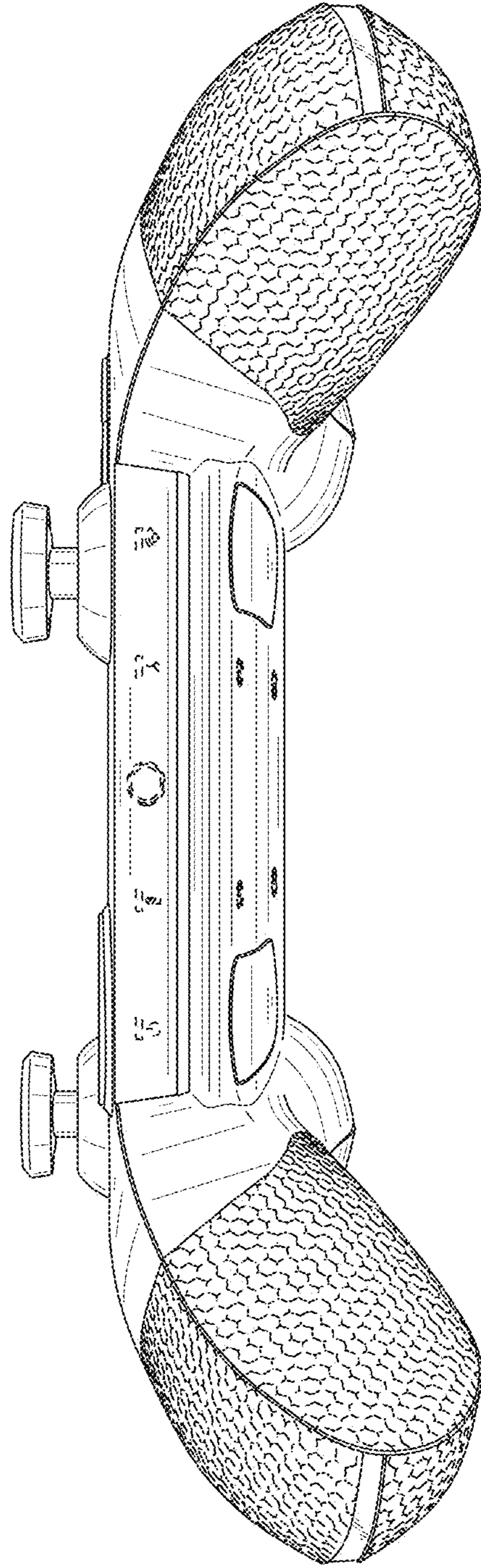


FIG. 8