



US00D976324S

(12) **United States Design Patent** (10) **Patent No.:** **US D976,324 S**  
**Bussey et al.** (45) **Date of Patent:** **\*\* Jan. 24, 2023**

- (54) **GAMING MACHINE SOUND BAR**
- (71) Applicant: **Everi Games Inc.**, Austin, TX (US)
- (72) Inventors: **Travis B. Bussey**, Austin, TX (US);  
**Peter A. Phillips, Jr.**, Austin, TX (US)
- (73) Assignee: **Everi Games Inc.**, Austin, TX (US)
- (\*\*) Term: **15 Years**
- (21) Appl. No.: **29/837,882**
- (22) Filed: **May 9, 2022**

- D539,854 S 4/2007 Luciano
- D564,600 S 3/2008 Greenberg
- D617,388 S 6/2010 Wildner
- D672,749 S \* 12/2012 Onoue ..... D14/214
- D673,619 S 1/2013 Seelig
- D673,620 S 1/2013 Johnson
- D673,621 S 1/2013 Johnson

(Continued)

*Primary Examiner* — Mehri F Bajoul  
(74) *Attorney, Agent, or Firm* — The Culbertson Group, P.C.; Russell D. Culbertson

(57) **CLAIM**

The ornamental design for a gaming machine sound bar, as shown and described.

**DESCRIPTION**

FIG. 1 is a right perspective view of a gaming machine sound bar showing the new design.  
 FIG. 2 is a front view of the gaming machine sound bar shown in FIG. 1.  
 FIG. 3 is a rear view of the gaming machine sound bar shown in FIG. 1.  
 FIG. 4 is a left side view of the gaming machine sound bar shown in FIG. 1.  
 FIG. 5 is a right side view of the gaming machine sound bar shown in FIG. 1.  
 FIG. 6 is a top view of the gaming machine sound bar shown in FIG. 1.  
 FIG. 7 is a bottom view of the gaming machine sound bar shown in FIG. 1.  
 FIG. 8 is a magnified portion of the gaming machine sound bar as designated in FIG. 1; and,  
 FIG. 9 is another magnified portion of the gaming machine sound bar as designated in FIG. 1.  
 The dash-dot broken lines depict bounds of magnified portions and form no part of the claimed design. The remaining broken lines depict portions of the gaming machine sound bar that form no part of the claimed design.

**Related U.S. Application Data**

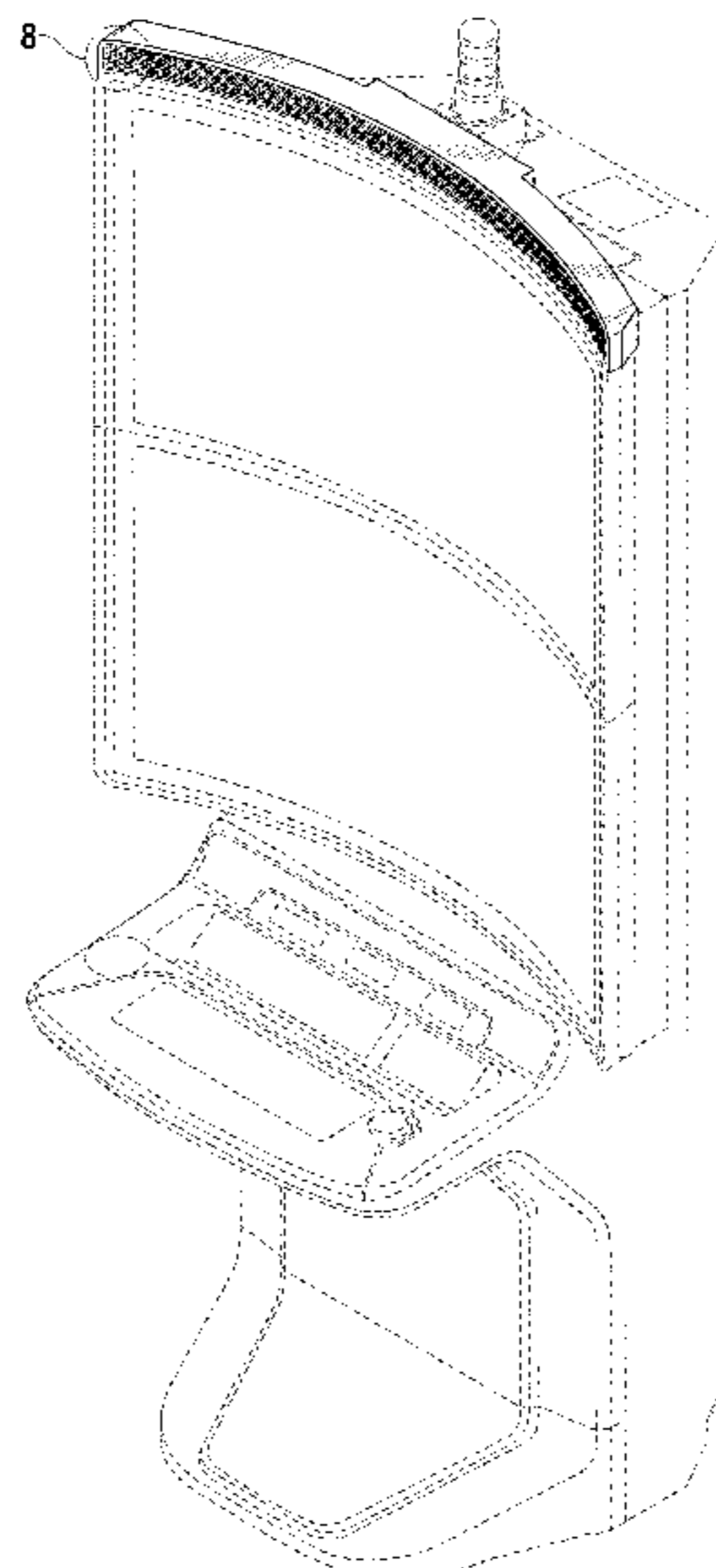
- (62) Division of application No. 29/665,601, filed on Oct. 4, 2018, now Pat. No. Des. 954,830.
- (51) **LOC (14) Cl.** ..... **21-01**
- (52) **U.S. Cl.**  
USPC ..... **D21/324**; D14/214
- (58) **Field of Classification Search**  
USPC ..... D21/300, 323, 324, 325, 326, 327, 328, D21/329, 330, 331, 332, 333, 334, 335, D21/336, 337, 369, 370, 371, 372, 373, D21/374; D14/125, 126, 133, 203.7, D14/203.8, 204, 217, 300, 301, 302, 305, D14/307, 334, 496, 511, 214; D99/33, D99/34, 35, 36  
CPC ..... G07F 17/3283; G07F 17/3204; A63F 2001/001; A63F 2001/003; A63F 2001/005; A63F 2001/006  
See application file for complete search history.

(56) **References Cited**

**U.S. PATENT DOCUMENTS**

- D382,915 S 8/1997 Yang
- D498,267 S 11/2004 Crouch
- D508,961 S 8/2005 Gatto
- D525,664 S 7/2006 Cole

**1 Claim, 7 Drawing Sheets**



(56)

References Cited

U.S. PATENT DOCUMENTS

D674,023 S 1/2013 Seelig  
 D684,216 S 6/2013 Terpstra  
 D697,558 S 1/2014 Myers  
 D704,273 S 5/2014 Chudek  
 D715,769 S \* 10/2014 McManigal ..... D14/214  
 D718,738 S \* 12/2014 Michael ..... D14/214  
 D721,766 S 1/2015 Ferrazoli  
 D723,626 S 3/2015 Vasquez  
 D730,869 S \* 6/2015 Lee ..... D14/216  
 D730,993 S 6/2015 Castro  
 D740,887 S 10/2015 Randazzo  
 D740,888 S 10/2015 DePalma  
 D756,328 S \* 5/2016 Warden ..... D14/204  
 D759,624 S \* 6/2016 Byrd ..... D14/204  
 D760,686 S \* 7/2016 Seong ..... D14/204  
 D763,361 S 8/2016 Rosander  
 9,704,337 B2 7/2017 Riggs  
 D810,833 S 2/2018 Rosander  
 D813,954 S 3/2018 Calhoun  
 D818,048 S 5/2018 Calhoun  
 D826,213 S \* 8/2018 Kim ..... D14/210  
 D826,338 S 8/2018 Bussey  
 D839,239 S \* 1/2019 Kim ..... D14/214  
 D842,930 S 3/2019 Johnson  
 D851,067 S \* 6/2019 McManigal ..... D14/204  
 D854,620 S 7/2019 Yeh  
 D854,621 S 7/2019 Calhoun  
 D866,667 S 11/2019 Stair  
 D874,667 S \* 2/2020 McManigal ..... D24/214  
 D877,810 S \* 3/2020 Nelson ..... D21/369  
 D900,785 S \* 11/2020 Kim ..... D14/214  
 D905,172 S \* 12/2020 Zedell, Jr. .... D21/369  
 D907,122 S \* 1/2021 DeMarco ..... D21/369

D907,708 S \* 1/2021 DeMarco ..... D21/369  
 D907,712 S \* 1/2021 DeMarco ..... D21/369  
 D908,662 S \* 1/2021 Wong ..... D14/204  
 D910,120 S \* 2/2021 DeMarco ..... D21/369  
 D911,451 S \* 2/2021 Ortiz De Viveiros ..... D21/369  
 D923,102 S \* 6/2021 McGahn ..... D21/370  
 D927,441 S \* 8/2021 Bailey ..... D16/208  
 D931,941 S \* 9/2021 Legras ..... D21/370  
 D933,630 S \* 10/2021 Sugiura ..... D14/204  
 D934,347 S \* 10/2021 Ocampo ..... D21/370  
 D936,150 S \* 11/2021 Bussey ..... D21/369  
 D936,634 S \* 11/2021 Park ..... D14/214  
 D937,354 S \* 11/2021 Glenn, II ..... D21/369  
 D939,025 S \* 12/2021 Bruzzese ..... D21/369  
 D939,632 S \* 12/2021 Lewis ..... D21/370  
 D942,418 S \* 2/2022 Kim ..... D14/214  
 D942,419 S \* 2/2022 Park ..... D14/214  
 D943,027 S \* 2/2022 Ortiz De Viveiros ..... D21/369  
 D943,028 S \* 2/2022 Ortiz De Viveiros ..... D21/369  
 D943,029 S \* 2/2022 Francisco ..... D21/369  
 D944,330 S \* 2/2022 Ortiz De Viveiros ..... D21/369  
 D951,227 S \* 5/2022 Kim ..... D14/214  
 D951,903 S \* 5/2022 Kim ..... D14/204  
 D952,596 S \* 5/2022 Kim ..... D14/204  
 D954,830 S \* 6/2022 Bussey ..... D21/325  
 D954,844 S \* 6/2022 Rosander ..... D21/369  
 D954,845 S \* 6/2022 Johnson ..... D21/369  
 D954,848 S \* 6/2022 Hill ..... D21/369  
 2008/0113794 A1 5/2008 Cole  
 2013/0084948 A1 4/2013 Watkins  
 2018/0018852 A1 1/2018 Riggs  
 2018/0082523 A1 3/2018 Palermo  
 2019/0102974 A1 \* 4/2019 Bussey ..... G07F 17/3211  
 2019/0102984 A1 \* 4/2019 Gallagher ..... G07F 17/3211  
 2022/0191638 A1 \* 6/2022 Stengel ..... G06V 40/171

\* cited by examiner

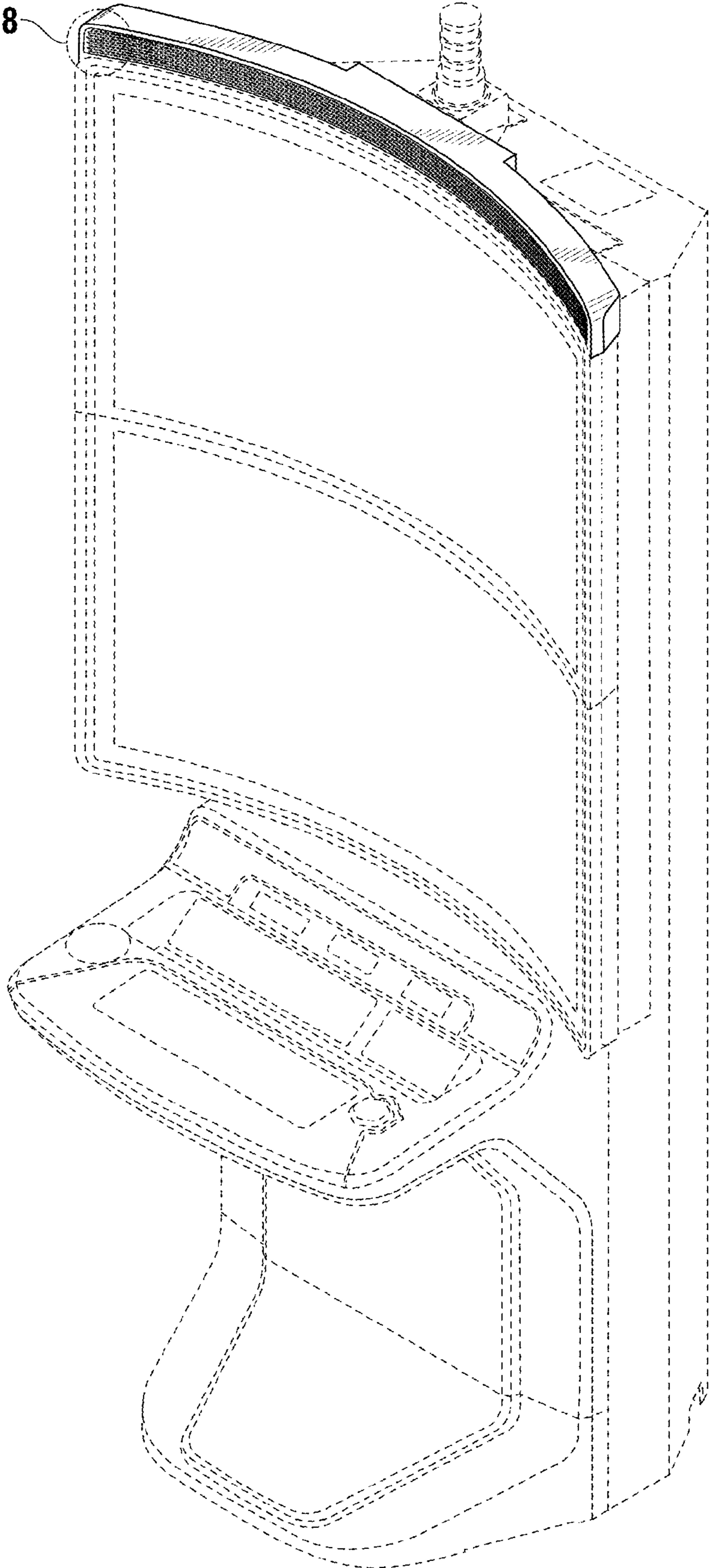


FIG. 1



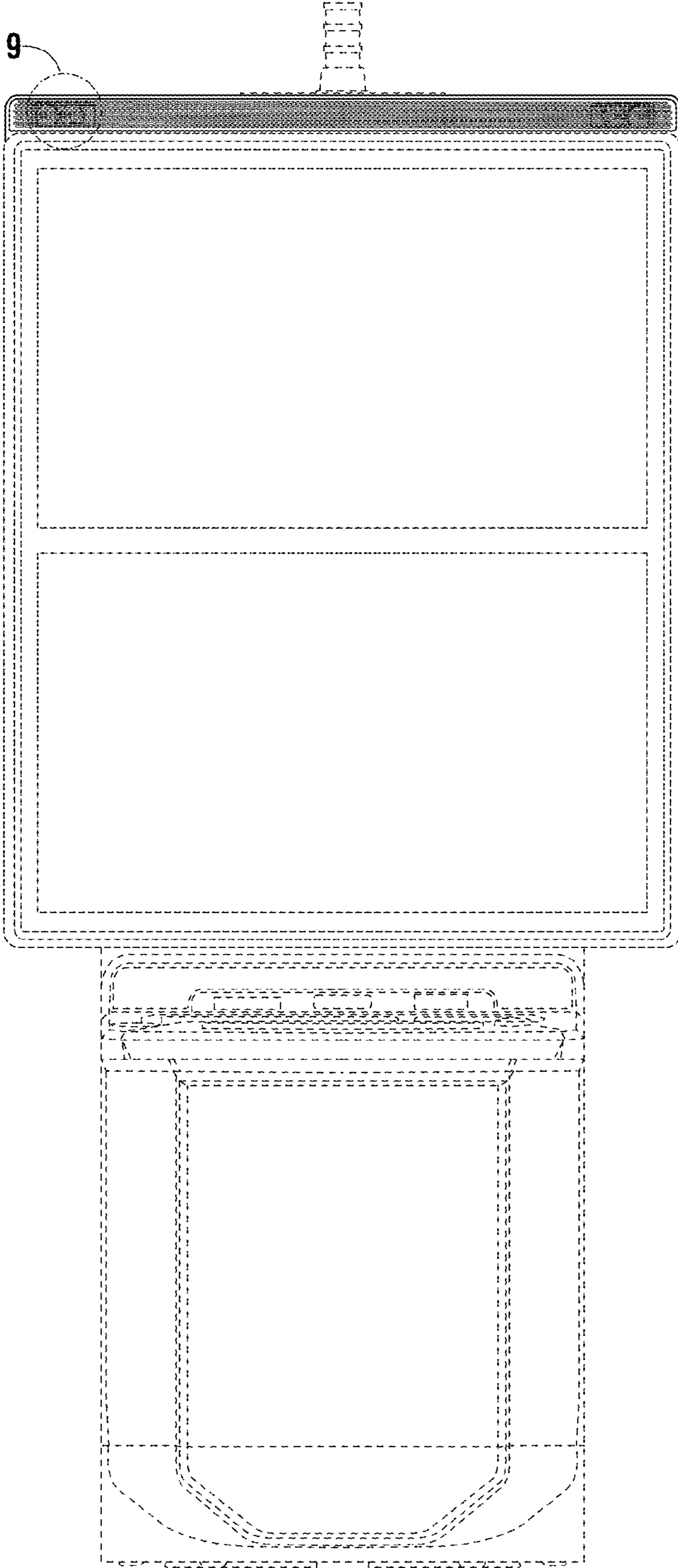


FIG. 2

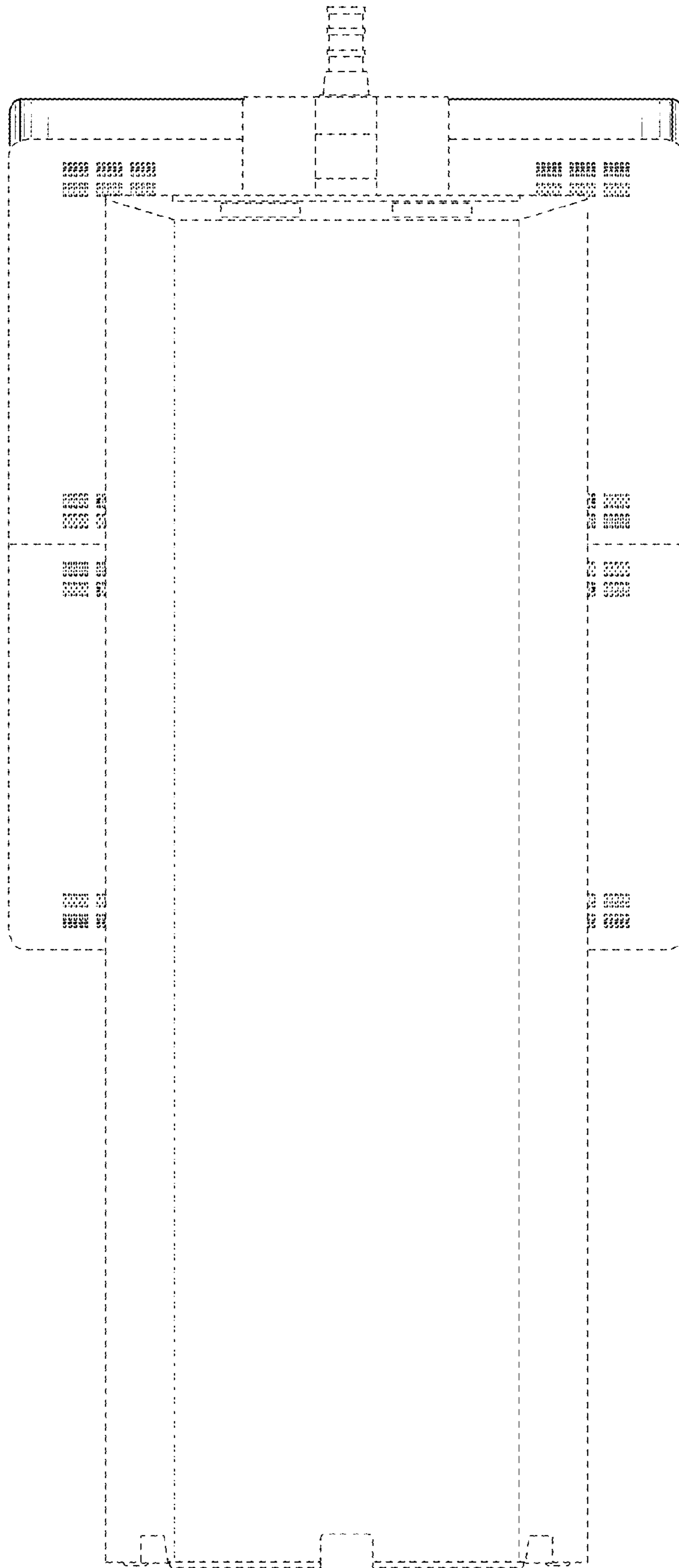


FIG. 3

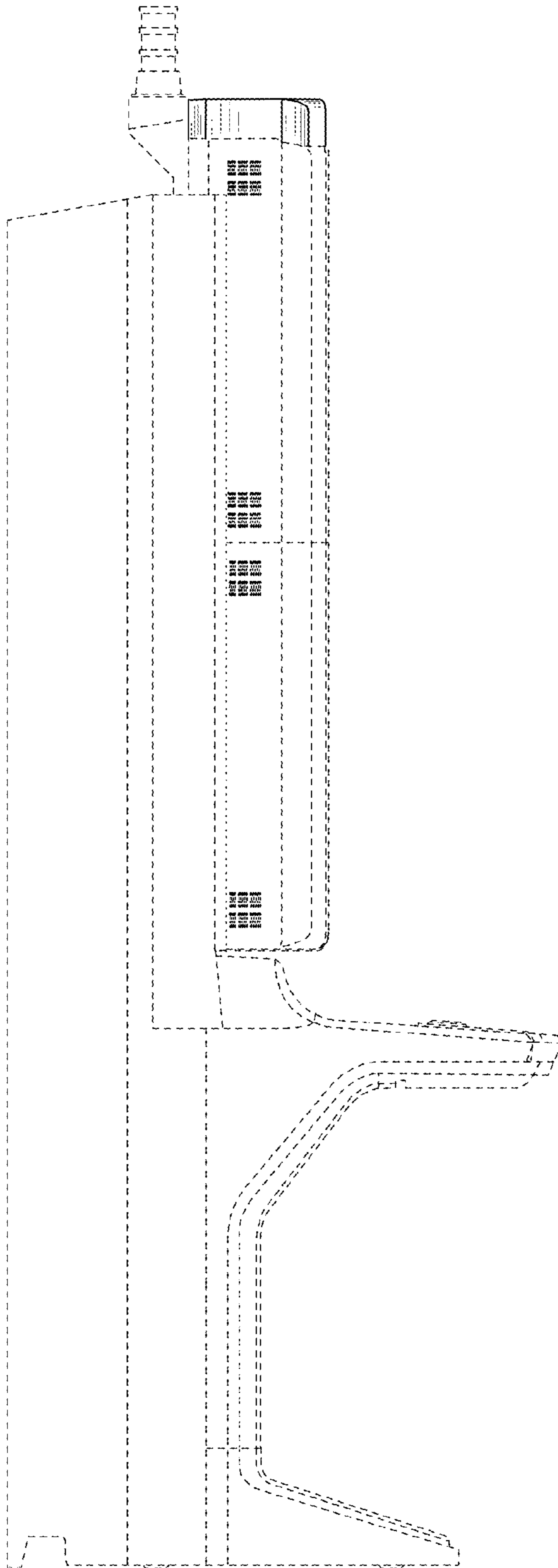


FIG. 4

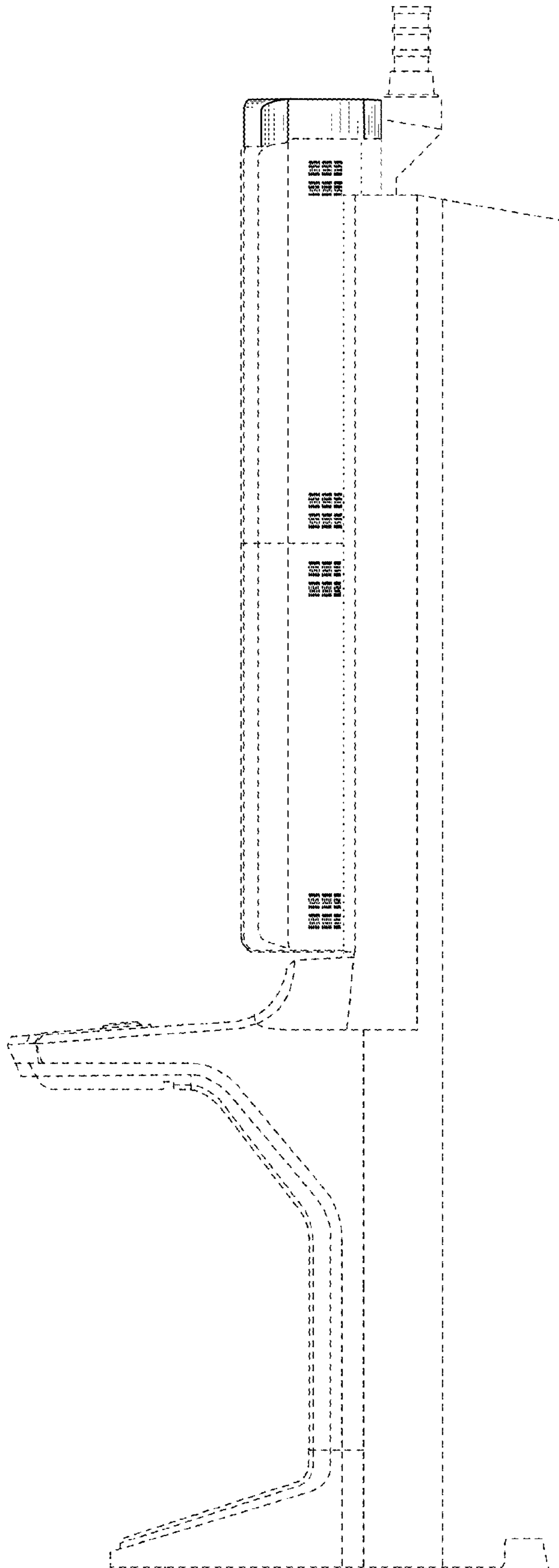


FIG. 5

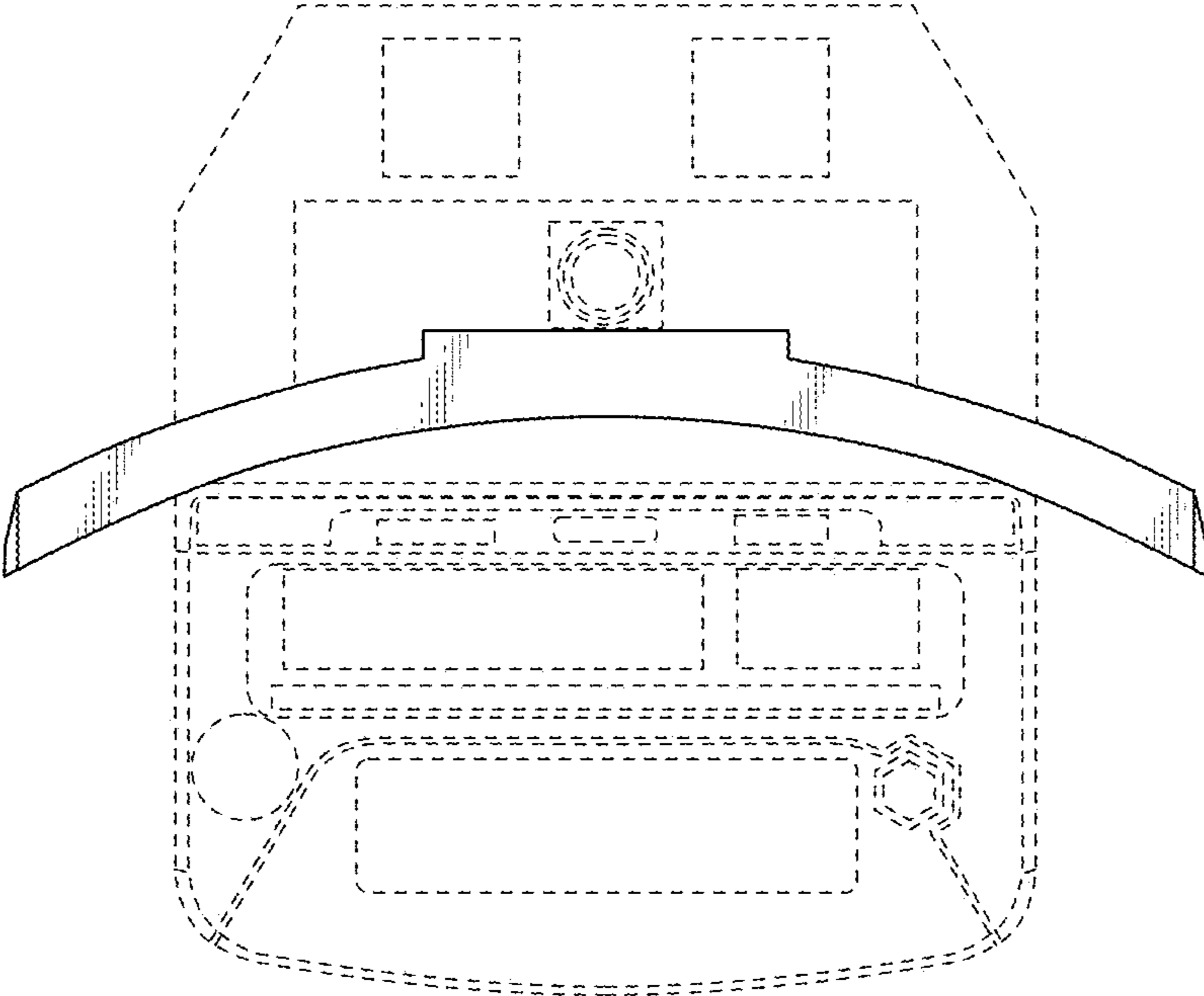


FIG. 6

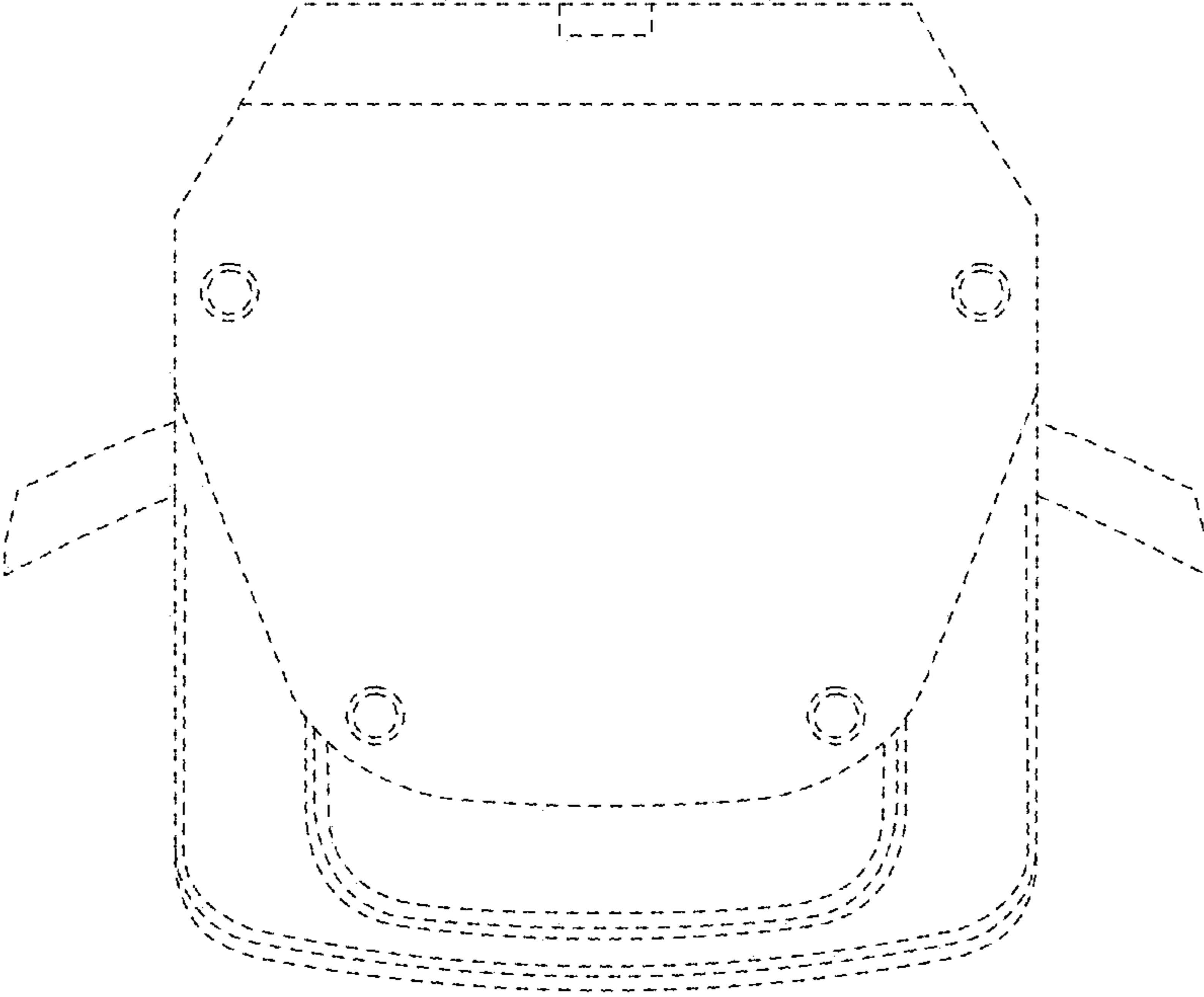


FIG. 7



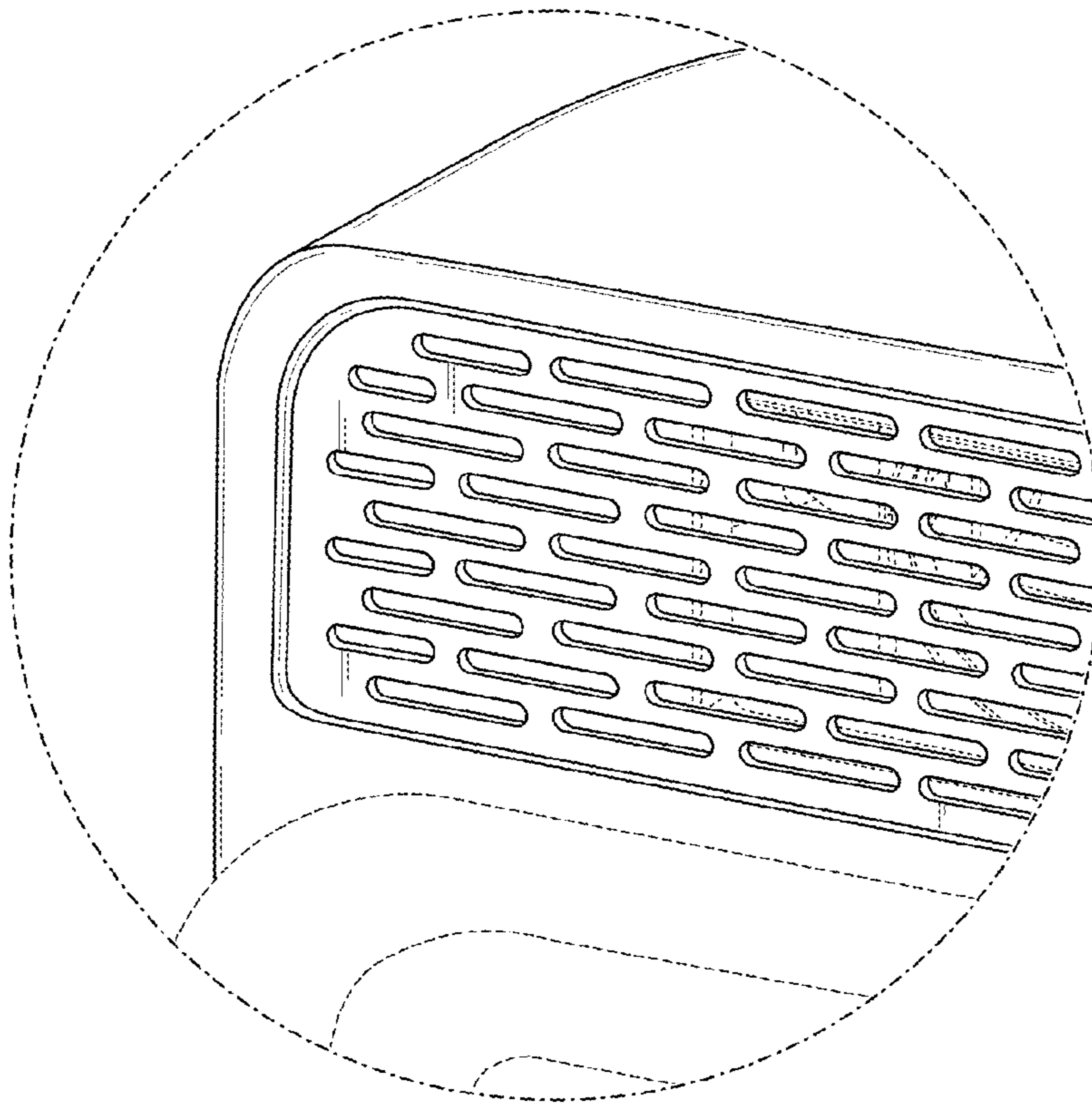


FIG. 8

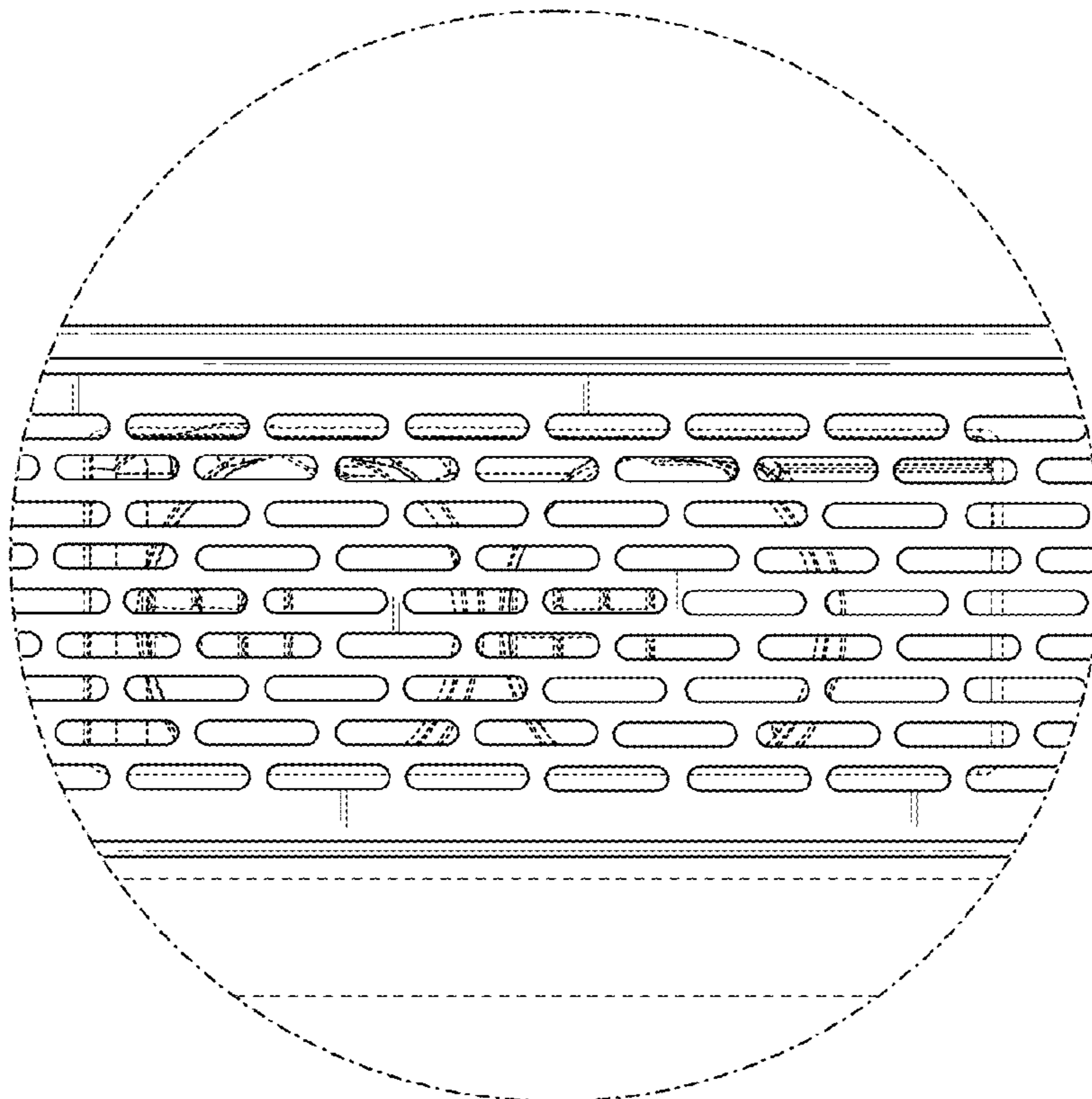


FIG. 9