



US00D976323S

(12) **United States Design Patent**  
**Lerner**

(10) **Patent No.:** **US D976,323 S**  
(45) **Date of Patent:** **\*\* Jan. 24, 2023**

(54) **GAME BOARD**

(71) Applicant: **Michael Lerner**, Blairstown, NJ (US)

(72) Inventor: **Michael Lerner**, Blairstown, NJ (US)

(\*\*) Term: **15 Years**

(21) Appl. No.: **29/773,795**

(22) Filed: **Mar. 11, 2021**

(51) **LOC (14) Cl.** ..... **21-01**

(52) **U.S. Cl.**  
USPC ..... **D21/303**

(58) **Field of Classification Search**  
USPC ..... D21/303, 301, 302, 304, 300, 334, 336,  
D21/341, 342, 343, 319, 789, 790, 791,  
D21/792, 397, 312, 322, 699, 705;  
273/398-404, 343, 317, 336, 348, 407,  
273/408, 410, 108, 287, 331, 236, 118 R,  
273/123 R, 127 R, 120 R, 127 B, 395,  
273/396, 245; 473/180, 175, 179, 182,  
473/185, 187, 569, 592; D6/392, 718;  
5/110-114, 120-123, 89.1, 127-130, 625,  
5/627, 655, 630-634  
CPC ..... A63B 63/00; A63B 63/003; A63B 63/08;  
A63B 67/00; A63B 67/02; A63B 67/06;  
A63B 67/066; A63B 2063/001; A63B  
2063/002; A63B 2067/065; A63B  
2067/063; A63B 2067/061; A63B  
2208/12; A63B 71/00; A63B 2210/50;  
A63B 2024/0046; A63B 69/3661; A63B  
69/0097; A63F 7/386  
See application file for complete search history.

(56) **References Cited**

**U.S. PATENT DOCUMENTS**

445,016 A \* 1/1891 Greene ..... A63F 7/0005  
200/37 R  
1,834,317 A \* 12/1931 Peccerillo ..... A63F 9/02  
273/352

1,979,584 A \* 11/1934 Thompson ..... A63B 67/02  
473/185  
2,239,449 A \* 4/1941 Senz ..... A63F 3/00176  
273/261  
2,248,053 A \* 7/1941 Bales ..... A63B 69/3697  
473/168  
2,858,624 A \* 11/1958 Bowman ..... G01J 3/528  
434/98  
4,343,470 A \* 8/1982 Grifhorst ..... A63F 7/305  
473/196  
4,709,929 A \* 12/1987 Mills ..... A63B 63/08  
273/402  
4,986,549 A \* 1/1991 Kuhtic ..... A63B 67/06  
473/594  
5,056,797 A \* 10/1991 Hockert ..... A63B 67/06  
273/402  
5,236,193 A \* 8/1993 Ierulli ..... A63F 3/00176  
273/250  
D355,448 S \* 2/1995 Walter ..... D21/350  
5,524,897 A \* 6/1996 Mastronunzio ..... A63F 3/00574  
273/282.1  
D382,599 S \* 8/1997 Starrett ..... D21/306

(Continued)

*Primary Examiner* — Susan Moon Lee

(74) *Attorney, Agent, or Firm* — Pryor Cashman LLP

(57) **CLAIM**

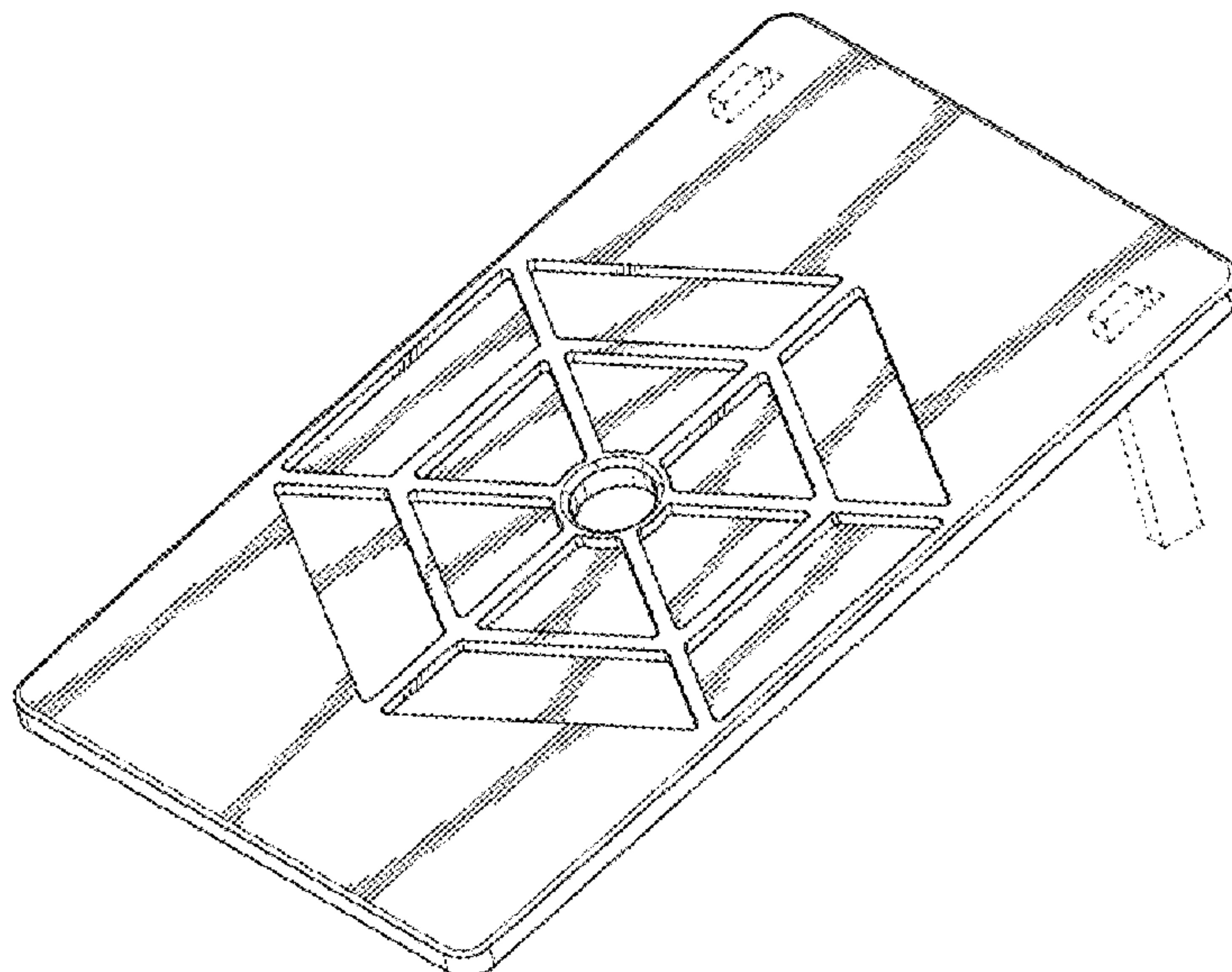
The ornamental design for a game board, as shown and described.

**DESCRIPTION**

FIG. 1 is a top-front perspective view of a game board;  
FIG. 2 is a front view of the game board;  
FIG. 3 is a back view of the game board;  
FIG. 4 is a right side view of the game board;  
FIG. 5 is a left side view of the game board;  
FIG. 6 is a top view of the game board; and,  
FIG. 7 is a bottom view of the game board.

The broken lines in the drawings are for illustrative purposes only and form no part of the claimed design.

**1 Claim, 6 Drawing Sheets**



(56)

References Cited

U.S. PATENT DOCUMENTS

D444,508 S *	7/2001	George	.....	D21/366	10,265,596 B2 *	4/2019	Skala	.....	A63B 1/00
D454,164 S *	3/2002	Allen	.....	D21/363	D866,665 S *	11/2019	Palmer	.....	D21/303
D458,184 S *	6/2002	Saari	.....	D11/125	D868,917 S *	12/2019	Engler	.....	D21/303
6,939,241 B1 *	9/2005	Chang	.....	A63B 63/00	D873,919 S *	1/2020	Emmerson	.....	D21/303
				273/400	D875,833 S *	2/2020	Fairchild	.....	D21/302
D524,872 S *	7/2006	DiCarlo	.....	D21/363	D876,549 S *	2/2020	Wolters	.....	D21/302
D526,461 S *	8/2006	Haro	.....	D1/126	D889,551 S *	7/2020	Tompkins	.....	D21/362
7,294,062 B2 *	11/2007	Ting	.....	A63B 67/02	D895,732 S *	9/2020	Saleeby	.....	D21/303
				473/162	10,835,794 B1 *	11/2020	McMahon	.....	G01B 5/14
7,309,290 B2 *	12/2007	Hutchison	.....	A63B 67/02	D909,279 S *	2/2021	Beck	.....	D12/400
				473/180	D910,757 S *	2/2021	Green	.....	D21/303
D602,098 S *	10/2009	Seinkbeil	.....	D21/363	D923,096 S *	6/2021	Nash	.....	D21/302
D615,130 S *	5/2010	Smith	.....	D21/303	11,033,790 B2 *	6/2021	Manou	.....	A63B 63/08
D627,506 S *	11/2010	Lin	.....	D26/125	D925,782 S *	7/2021	Yong	.....	D26/25
D706,353 S *	6/2014	Montenare	.....	D21/303	11,090,540 B2 *	8/2021	Voss	.....	A63B 67/06
D706,355 S *	6/2014	Montenare	.....	D21/303	D955,482 S *	6/2022	Turner	.....	D21/303
D709,557 S *	7/2014	Thomasson	.....	D21/308	D967,269 S *	10/2022	Carpier	.....	D21/302
9,248,357 B2 *	2/2016	Francis	.....	A63B 67/06	11,465,022 B2 *	10/2022	LeHardy	.....	A63B 69/3623
D773,564 S *	12/2016	Kiribuchi	.....	D21/489	2018/0056155 A1 *	3/2018	McAuley	.....	A63B 69/3623
D781,960 S *	3/2017	Czwalga	.....	D21/303	2018/0178100 A1 *	6/2018	Bunnell-Harvey	....	A63B 67/06
D807,963 S *	1/2018	Zandonella	.....	D21/303	2018/0185726 A1 *	7/2018	Tiefel	.....	A63B 65/00
10,173,118 B1 *	1/2019	Lawrence	.....	A63B 57/40	2020/0094120 A1 *	3/2020	LeHardy	.....	A63B 71/0036
					2021/0038958 A1 *	2/2021	Kowtko	.....	A63B 63/08
					2021/0308550 A1 *	10/2021	Li	.....	A63B 71/0622
					2022/0280851 A1 *	9/2022	Petrarca	.....	A63B 67/06

\* cited by examiner



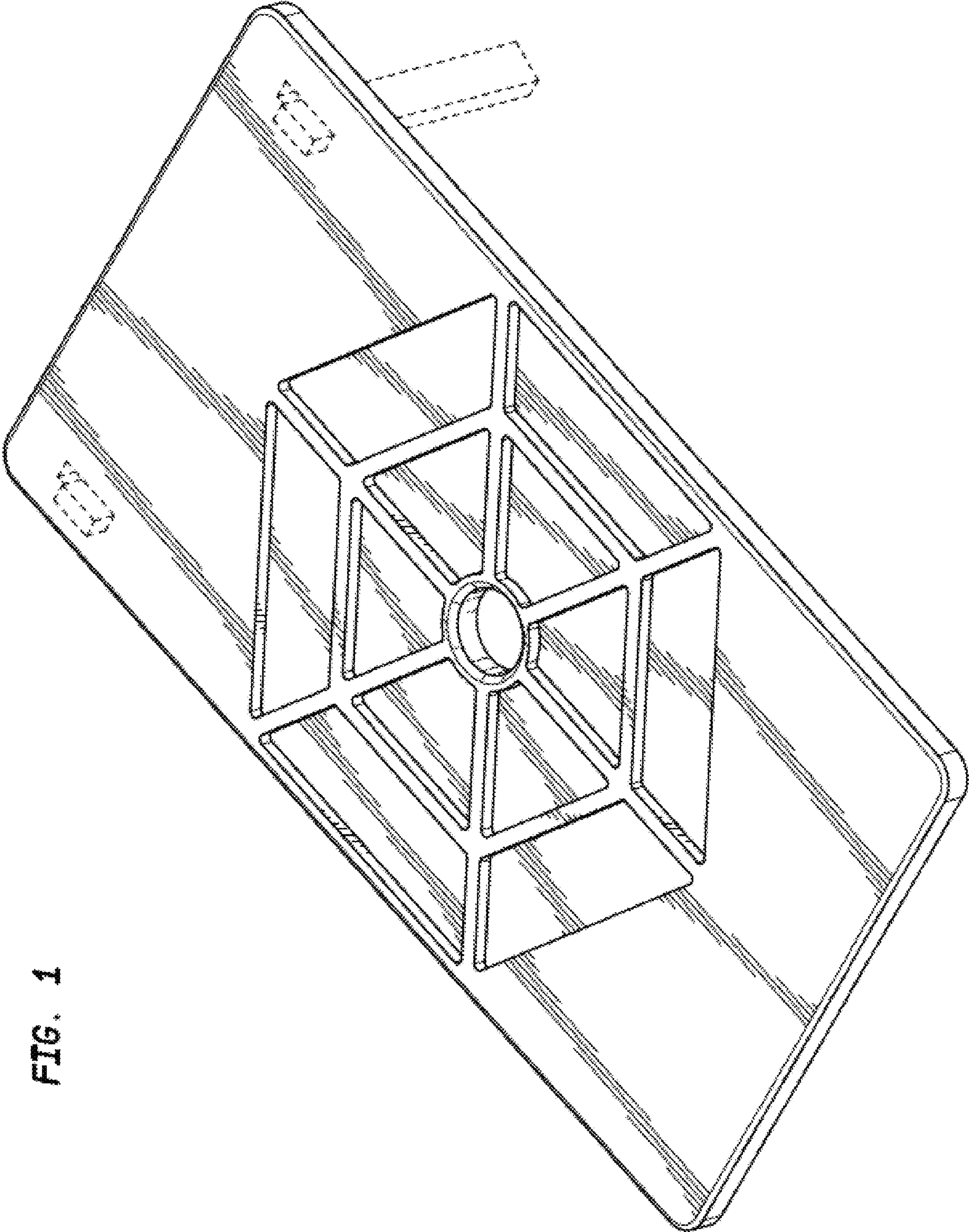
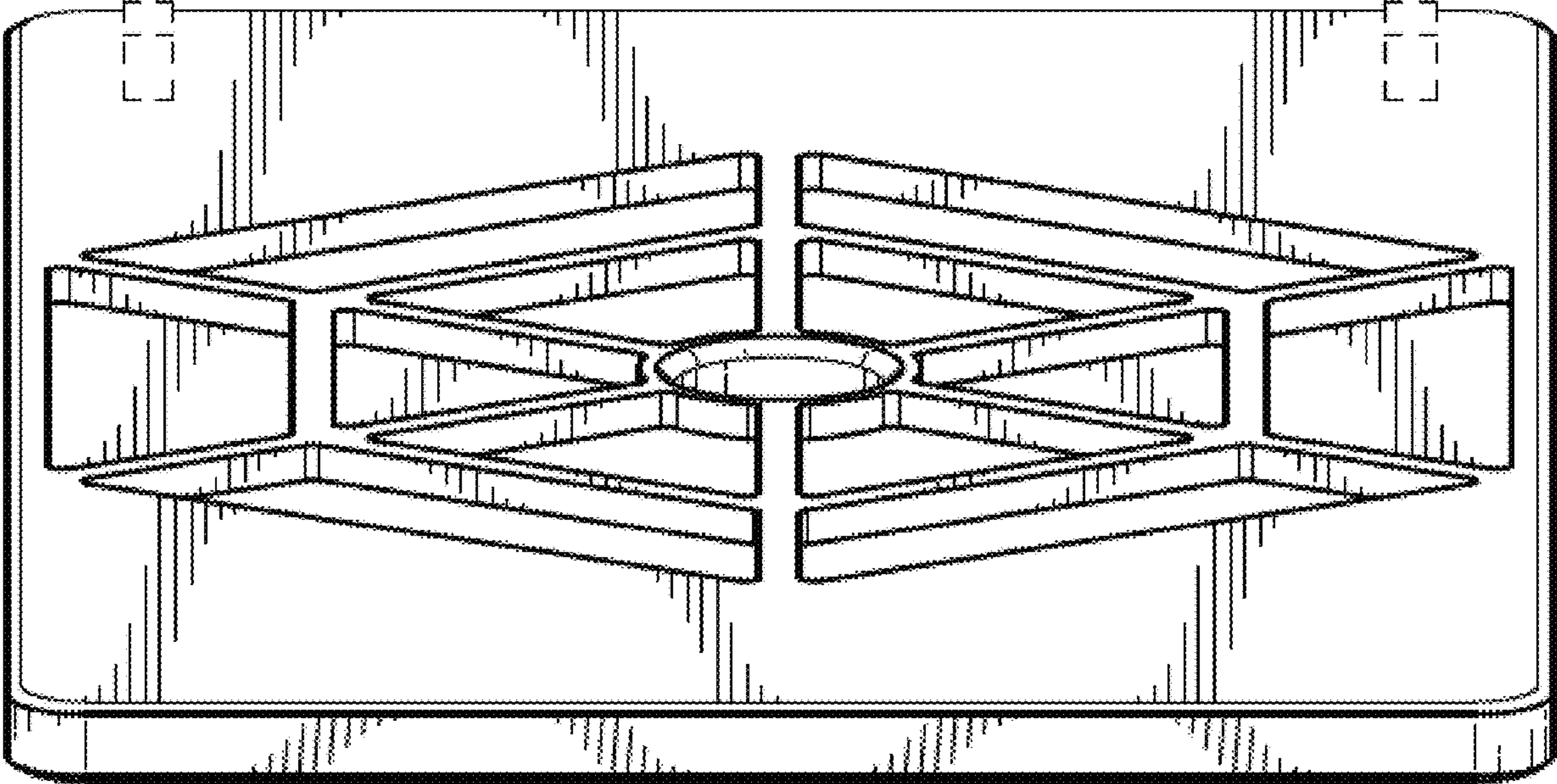


FIG. 1

**FIG. 2**



**FIG. 3**

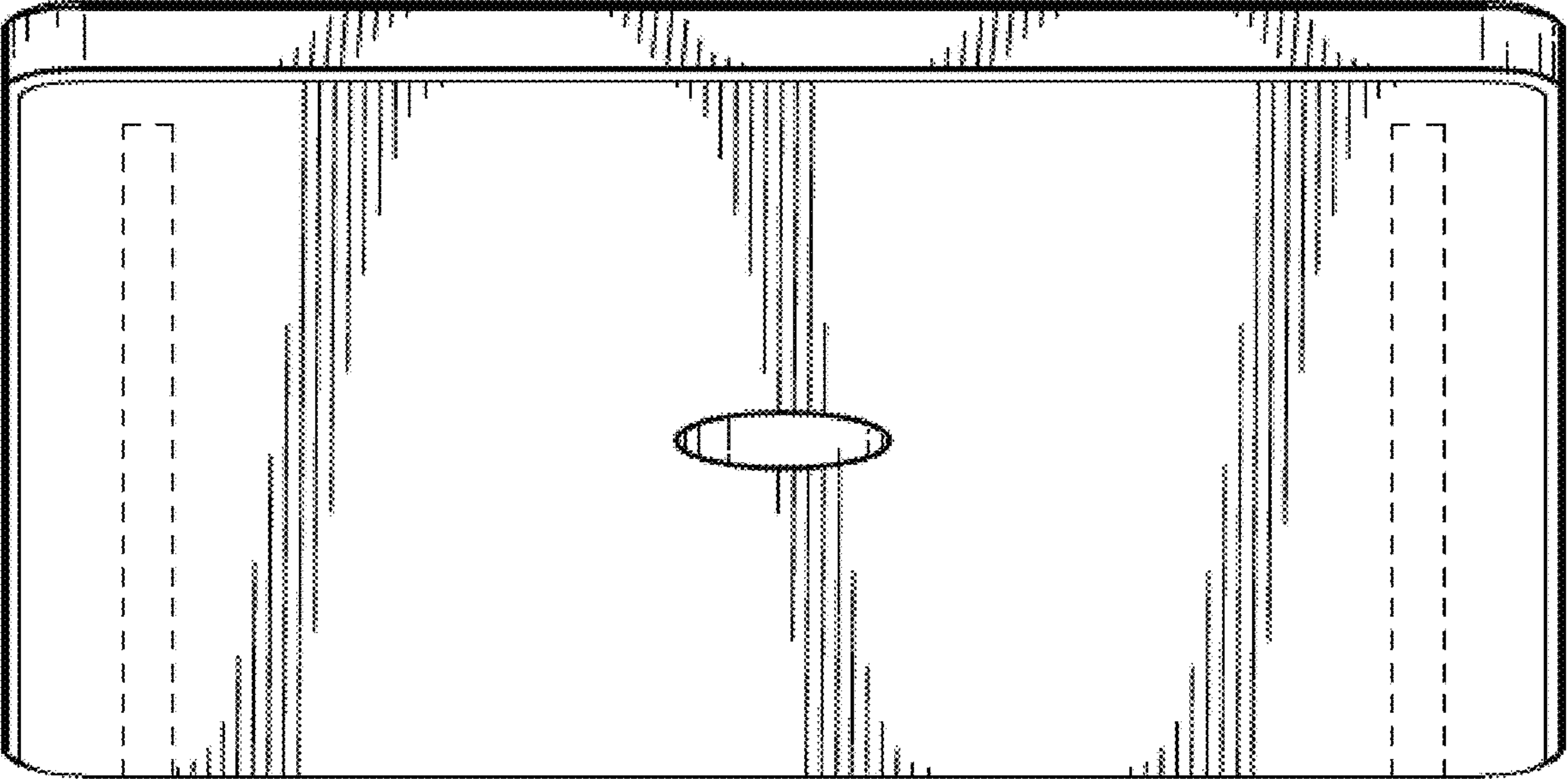


FIG. 4

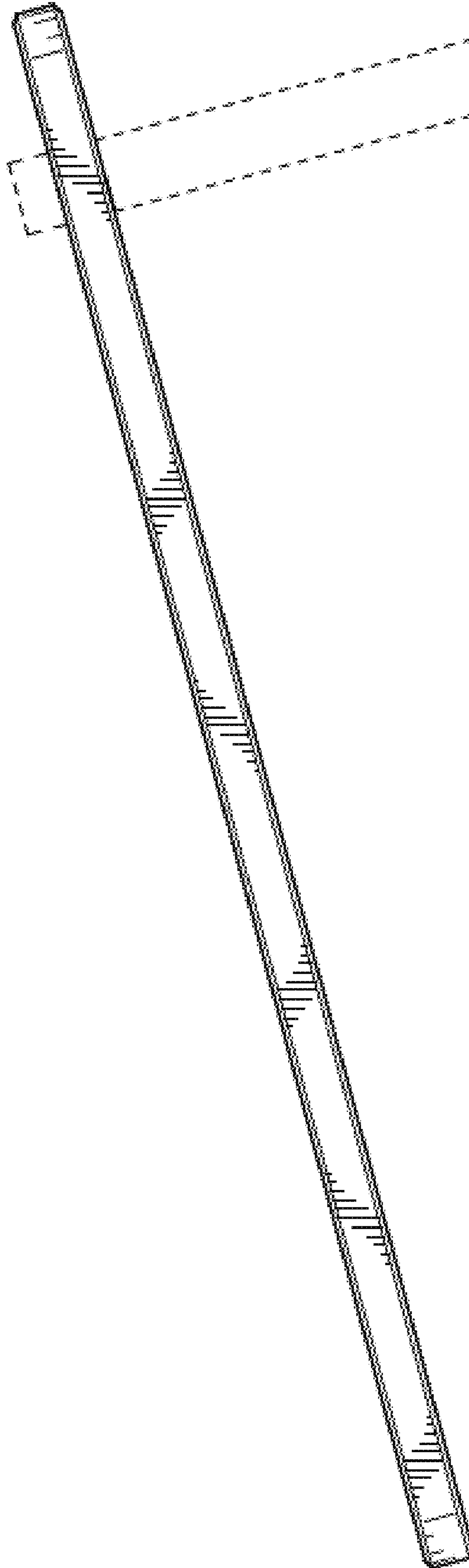




FIG. 5

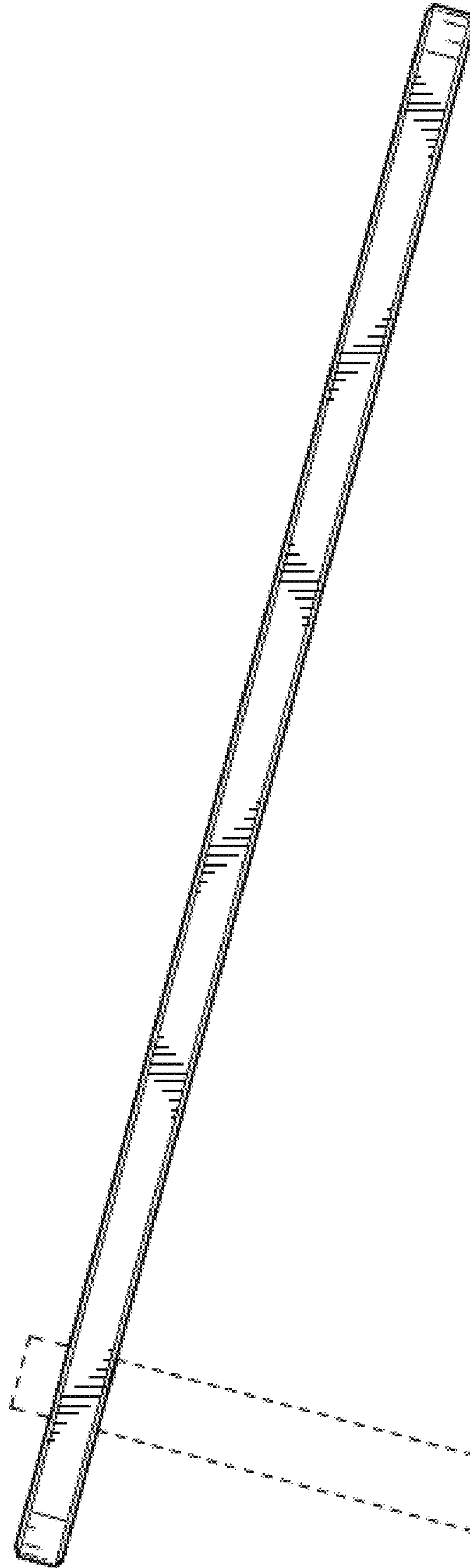


FIG. 6

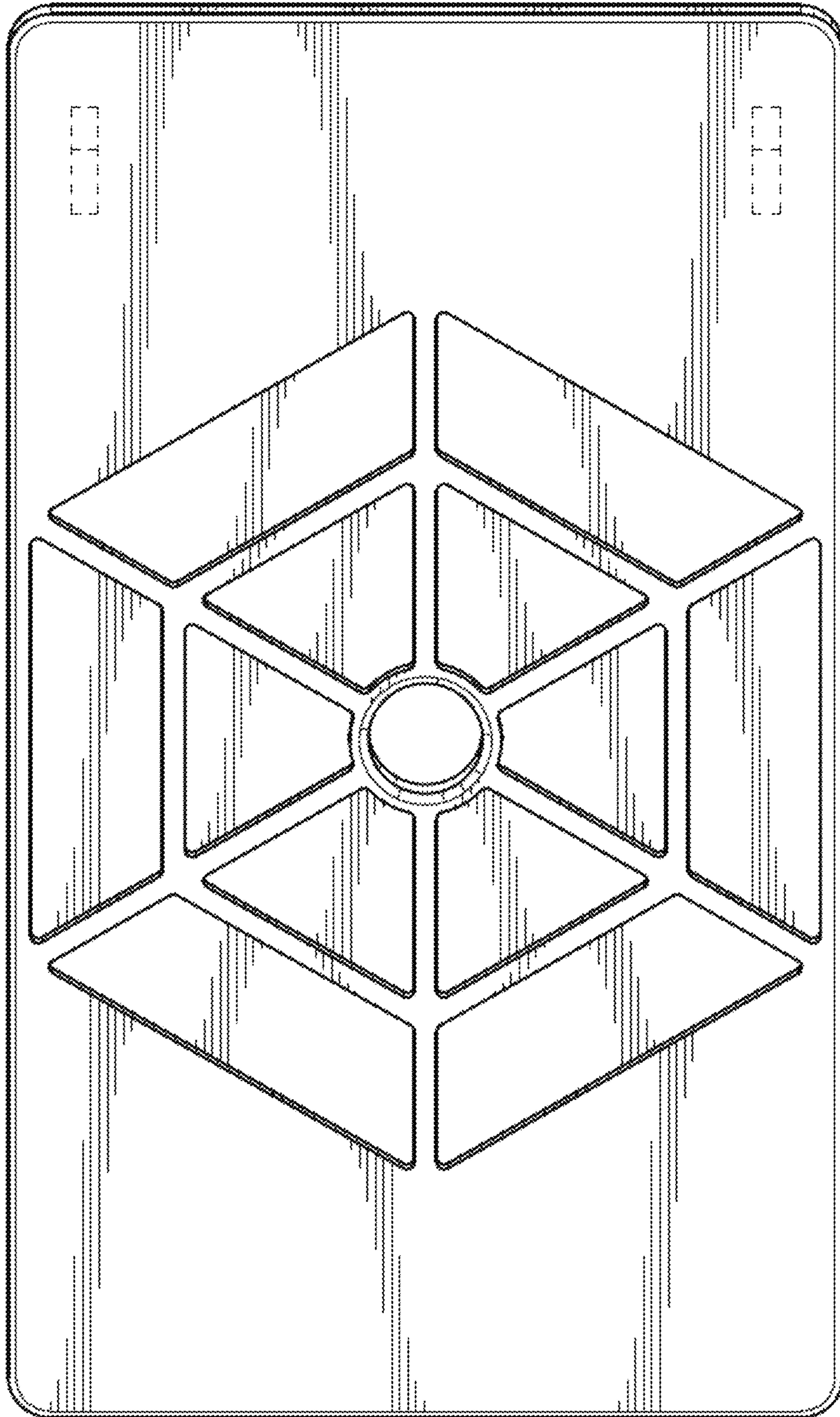


FIG. 7

