



US00D976312S

(12) **United States Design Patent**
Inada et al.

(10) **Patent No.:** **US D976,312 S**
(45) **Date of Patent:** **** *Jan. 24, 2023**

(54) **PRINTER**

(71) Applicant: **BROTHER INDUSTRIES, LTD.**,
Nagoya (JP)

(72) Inventors: **Toshiya Inada**, Nagoya (JP); **Takaaki Oguchi**, Nagoya (JP)

(73) Assignee: **BROTHER INDUSTRIES, LTD.**,
Nagoya (JP)

(*) Notice: This patent is subject to a terminal disclaimer.

(**) Term: **15 Years**

(21) Appl. No.: **29/704,385**

(22) Filed: **Sep. 4, 2019**

(30) **Foreign Application Priority Data**

Mar. 5, 2019 (JP) 2019-004493

(51) **LOC (14) Cl.** **14-02**

(52) **U.S. Cl.**
USPC **D18/50**

(58) **Field of Classification Search**
USPC D18/50, 53, 54, 55, 56, 36, 37, 38, 39,
D18/40, 41, 45, 12, 14, 19; D14/301,
D14/307, 121
CPC H04N 1/00278; H04N 1/00204; H04N
1/00249; G06K 15/12; G06K 15/14; B41J
3/00; B41J 3/28; B41J 3/445; B41J 3/46
See application file for complete search history.

(56) **References Cited**

U.S. PATENT DOCUMENTS

D318,066 S * 7/1991 Moro D18/54
7,871,158 B2 * 1/2011 Kaneko B41J 2/17513
347/85
D641,397 S * 7/2011 Kim D18/37
D664,193 S * 7/2012 Larson D18/55
D730,437 S * 5/2015 Seki D18/50

D737,895 S * 9/2015 Nanno D18/50
D809,059 S * 1/2018 Yamashita D18/56
D818,041 S * 5/2018 Peng D18/56
D818,533 S * 5/2018 Su D18/55
D842,711 S * 3/2019 Katayama D10/49

(Continued)

FOREIGN PATENT DOCUMENTS

CN 305981219 * 8/2020
ID A00201902977-0001 * 8/2020

(Continued)

OTHER PUBLICATIONS

Amazon. Link: https://www.amazon.com/Brother-MFC-J1205W-INKvestment-Wireless-Multi-Function/dp/B092YXNZT6/ref=sr_1_2?crid=23W6JC4RRCSOD&keywords=B092YXNZT6&qid=1650471122&s=electronics&sprefix=b092yxnzt6%2Celectronics%2C102&sr=1-2. Jun. 17, 2021. Brother MFC-J1205W INKvestment Tank Wireless Printer. (Year: 2021).*

(Continued)

Primary Examiner — Lauren D McVey

(74) *Attorney, Agent, or Firm* — Oliff PLC

(57) **CLAIM**

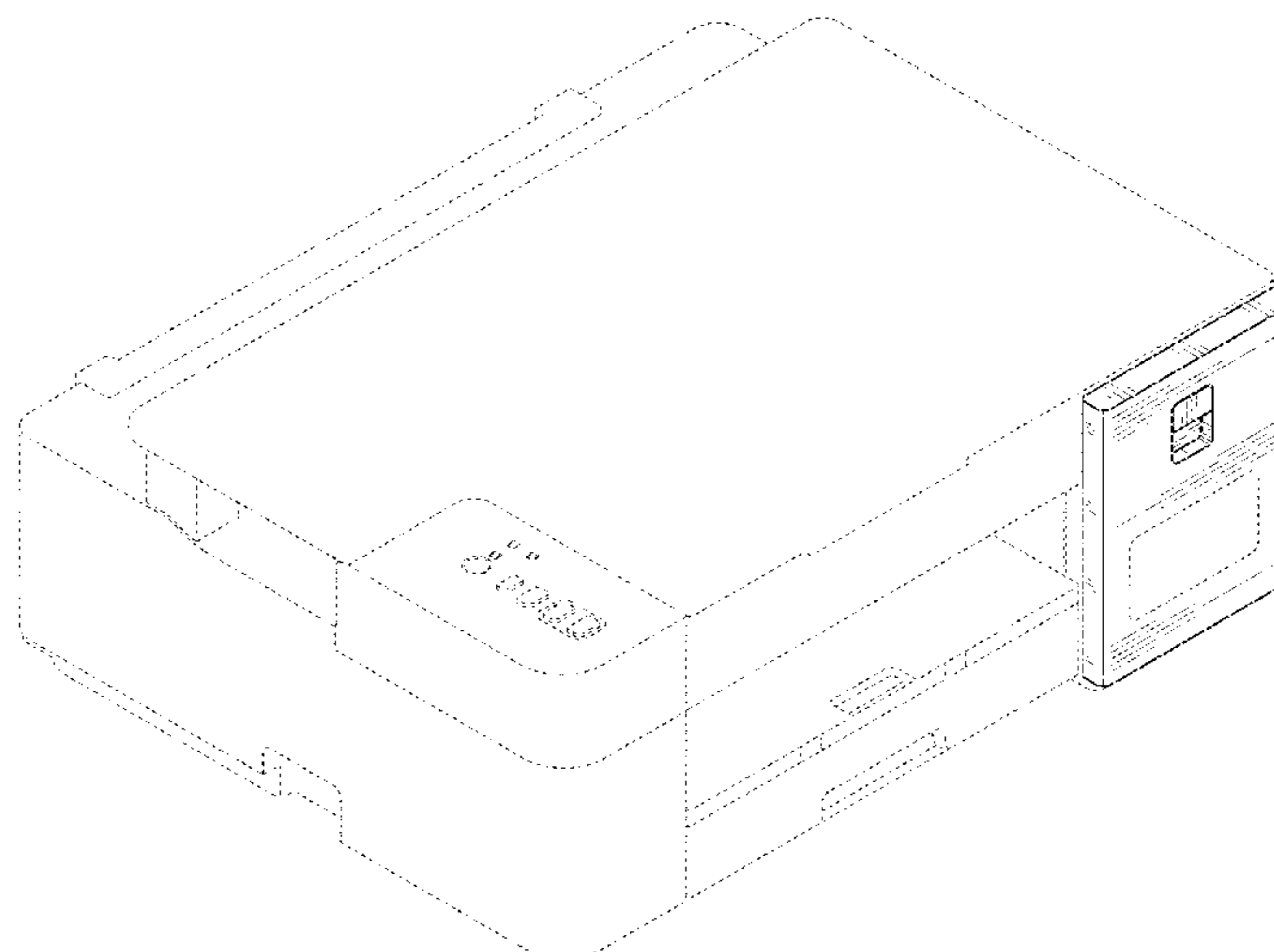
The ornamental design for a printer, as shown and described.

DESCRIPTION

FIG. 1 is a top, left perspective view of the printer; FIG. 2 is a front elevational view thereof; FIG. 3 is a top plan view thereof; FIG. 4 is a right -side elevational view thereof; FIG. 5 is a left-side elevational view thereof; FIG. 6 is a rear elevational view thereof; and, FIG. 7 is a bottom plan view thereof.

The evenly spaced broken lines depict unclaimed parts of the printer and form no part of the claimed design. The dot-dash chain lines depict a boundary of the claimed subject matter and form no part of the claimed design.

1 Claim, 7 Drawing Sheets



(56)

References Cited

U.S. PATENT DOCUMENTS

2010/0026753 A1* 2/2010 Kuroda B41J 2/16532
347/23
2013/0038188 A1* 2/2013 Lin B41J 29/026
312/319.2
2014/0104349 A1* 4/2014 Kimura B41J 2/17553
347/85

FOREIGN PATENT DOCUMENTS

IN 321578-001-0001 * 11/2019
JP D1641193 * 3/2022
JP D1641194 * 3/2022
JP D1641200 * 3/2022
JP D1643042 * 3/2022

OTHER PUBLICATIONS

Amazon. Link: https://www.amazon.com/Brother-MFC-J1215W-INKvestment-Wireless-Printer/dp/B096S46LT9/ref=sr_1_20?crd=117B0679L0BK4&keywords=Brother+INKvestmentTank&qid=1650476923&s=electronics&sprefix=brother+inkvestmenttank%2CElectronics%2C107&sr=1-20. Jun. 7, 2021. Brother MFC-J1215W INKvestment (Year: 2021).*

Amazon. Link: https://www.amazon.com/dp/B07GDHNJST/ref=emc_b_5_i. Sep. 4, 2018. Brother MFC-J 6545DW INKvestment-Tank Color Inkjet All-in-One Printer. (Year: 2018).*

Amazon. Link: https://www.amazon.com/Brother-MFC-J4335DW-INKvestment-Wireless-Printing/dp/B092YN1JK5/ref=sr_1_1?crd=19UJBJ3AJNET7&keywords=B092YN1JK5&qid=1650553641&sprefix=b092ynljk5%2Caps%2C122&sr=8-1. Jun. 15, 2021. Brother MFC-J4335DW INKvestment Tank All-in-One Printer. (Year: 2021).*

* cited by examiner

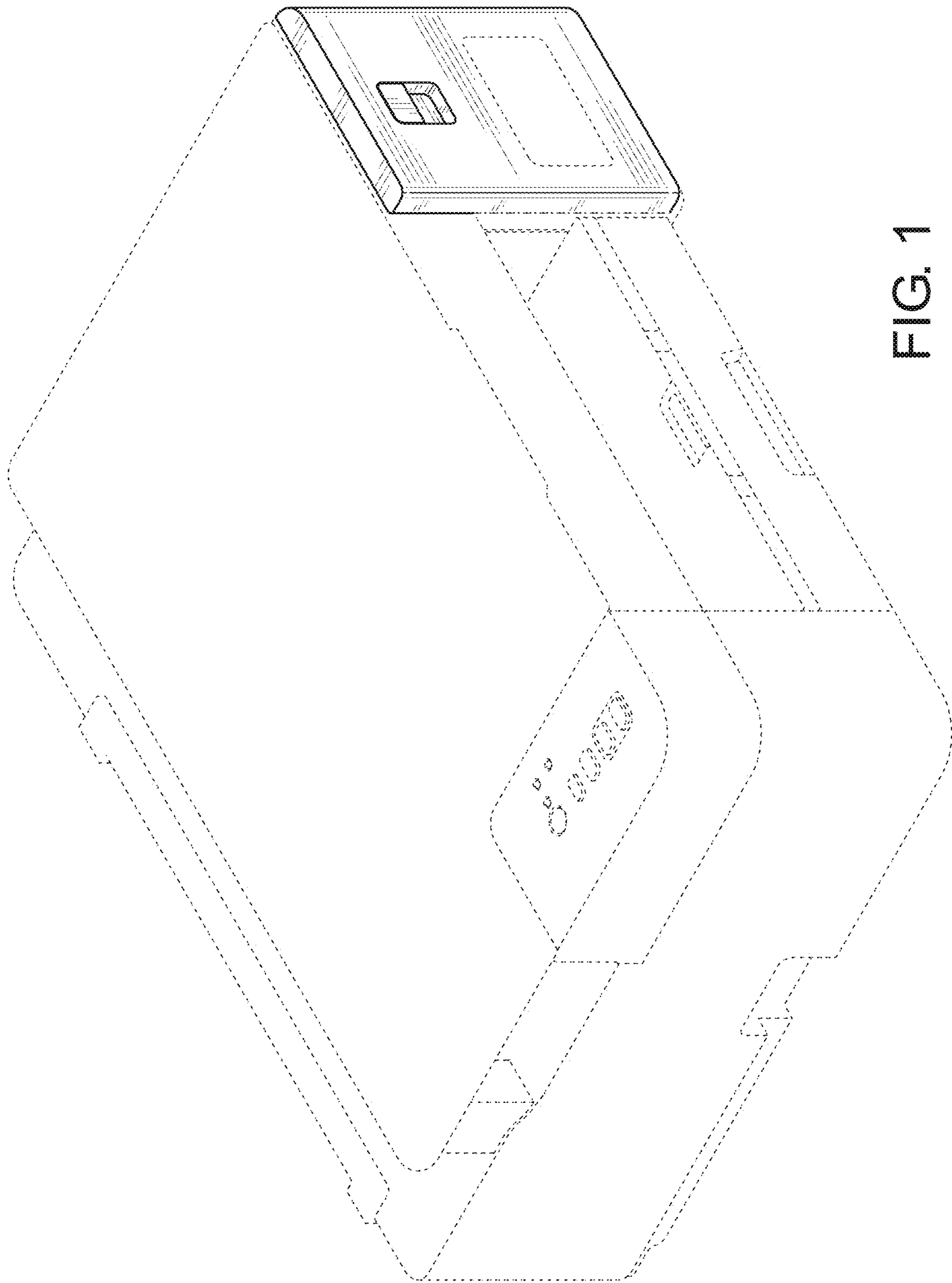


FIG. 1

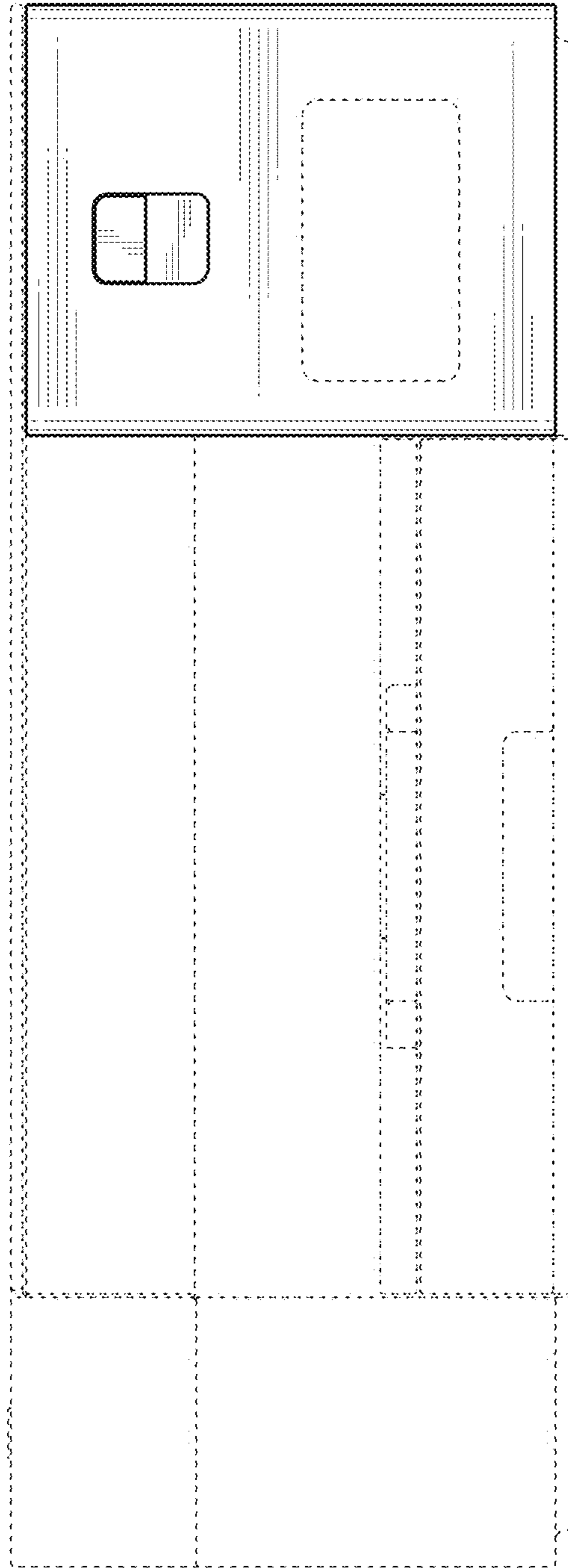


FIG. 2

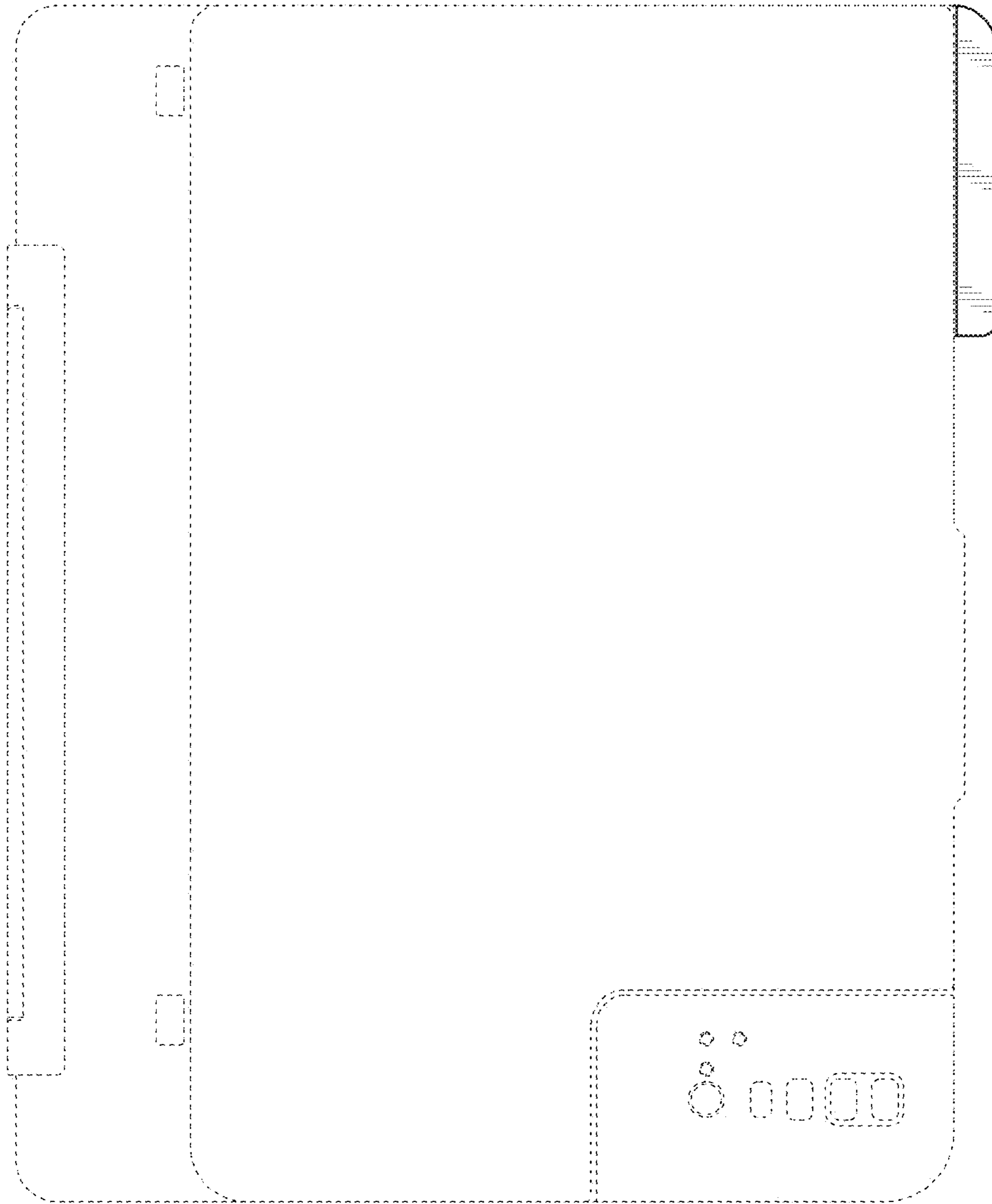


FIG. 3

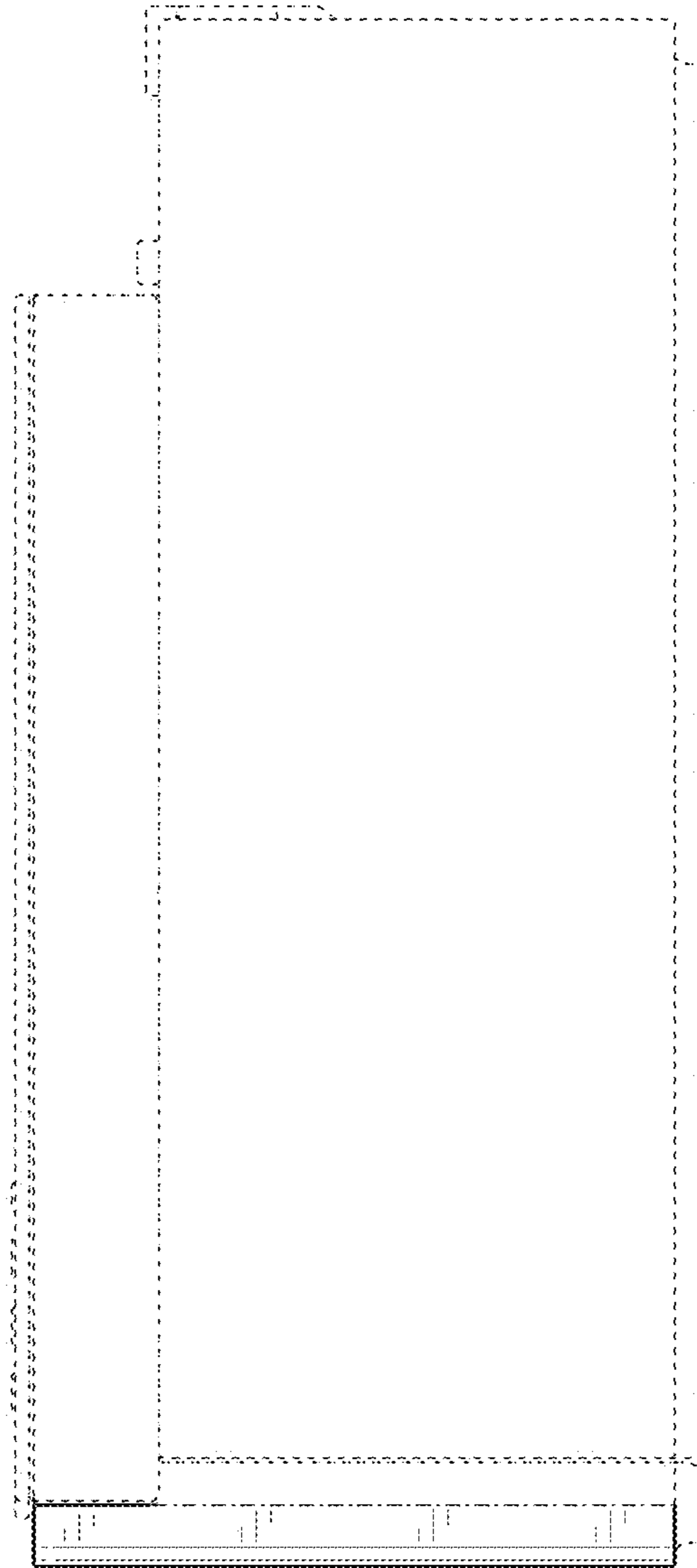


FIG. 4

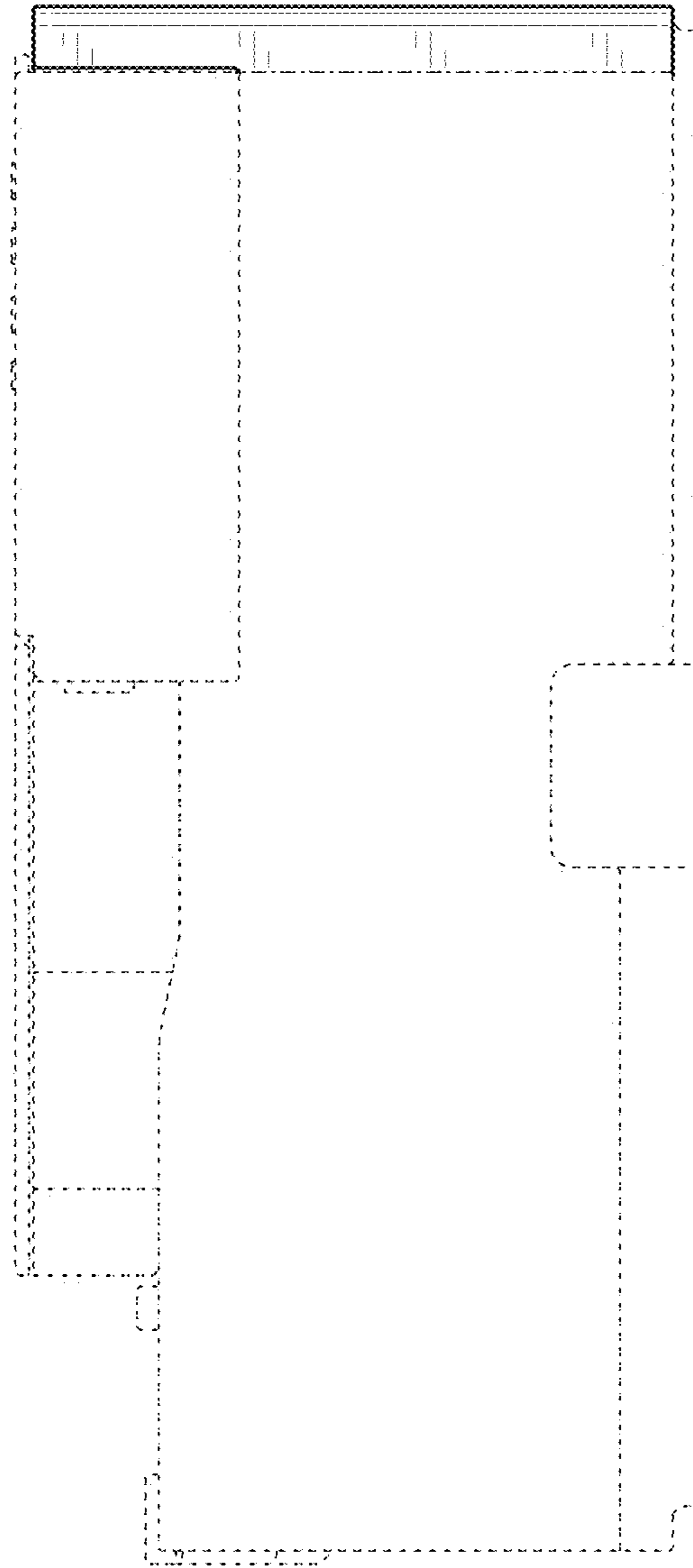


FIG. 5

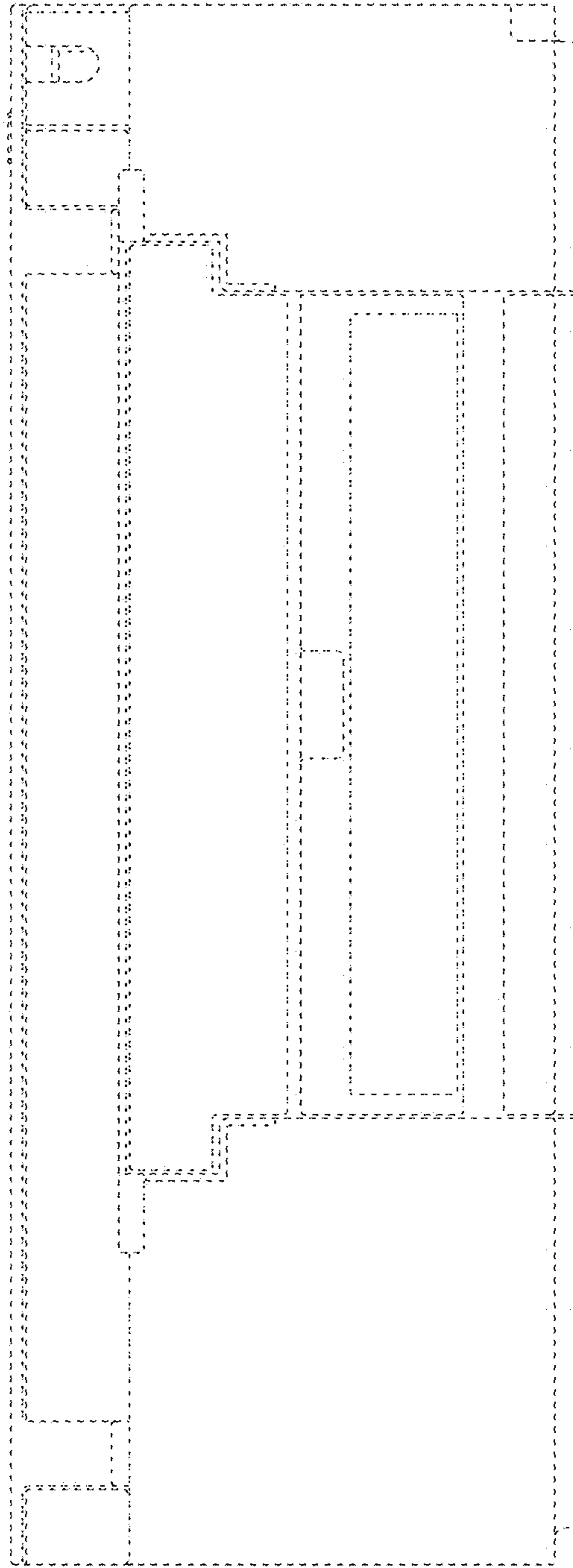


FIG. 6

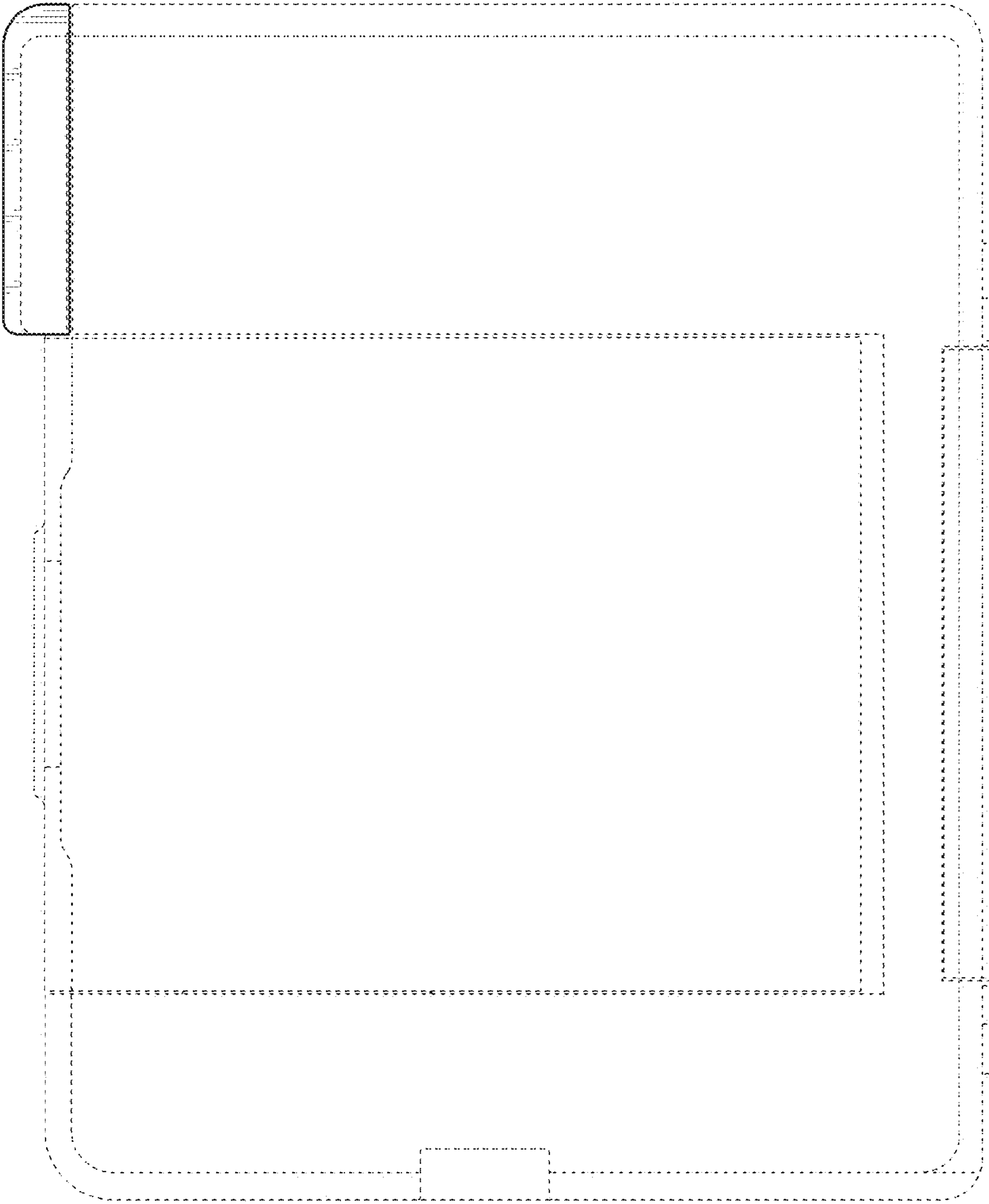


FIG. 7