



US00D976310S

(12) **United States Design Patent**
Wang et al.

(10) **Patent No.:** **US D976,310 S**
(45) **Date of Patent:** **** Jan. 24, 2023**

(54) **TONER CARTRIDGE**

FOREIGN PATENT DOCUMENTS

(71) Applicant: **BROTHER INDUSTRIES, LTD.**,
Nagoya (JP)

CN 301824455 * 2/2012
CN 302974305 * 10/2014

(72) Inventors: **Yuwen Wang**, Nagoya (JP); **Masayoshi Mita**, Nagoya (JP)

OTHER PUBLICATIONS

(73) Assignee: **BROTHER INDUSTRIES, LTD.**,
Nagoya (JP)

Brother Toner cartridge,tineye,tigerdirect.com,date published Oct. 21, 2017,date retrieved Jul. 9, 2022-29768270-https://tineye.com/search/0d8087293b5ff2900043551df7809ea161de37b0?sort=crawl_date&order=asc&page=1 (Year: 2017).*

(**) Term: **15 Years**

(Continued)

(21) Appl. No.: **29/768,270**

Primary Examiner — Jennifer L Rempfer
Assistant Examiner — Danielle Nichole Bowly

(22) Filed: **Jan. 28, 2021**

(74) *Attorney, Agent, or Firm* — Oliff PLC

(30) **Foreign Application Priority Data**

(57) **CLAIM**

Jul. 30, 2020 (JP) JP2020-015851 D

The ornamental design for a toner cartridge, as shown and described.

(51) **LOC (14) Cl.** **16-03**

DESCRIPTION

(52) **U.S. Cl.**
USPC **D18/43**

(58) **Field of Classification Search**
USPC D9/631, 708; D14/218, 314, 341, 346,
D14/356, 432; D18/18, 40, 43, 56
CPC G03G 2221/1648; G03G 2215/0668; Y10S
222/01

FIG. 1 is a perspective view of the toner cartridge;
FIG. 2 is a perspective view thereof;
FIG. 3 is a front elevational view thereof;
FIG. 4 is a rear elevational view thereof;
FIG. 5 is a left-side elevational view thereof;
FIG. 6 is a right-side elevational view thereof;
FIG. 7 is a top plan view thereof;
FIG. 8 is a bottom plan view thereof; and,
FIG. 9 is an enlarged partial cross-sectional view thereof,
taken along line A-A in FIG. 3 within the boundaries of lines
B-B and lines C-C in FIG. 6.

See application file for complete search history.

The evenly spaced broken lines depict unclaimed parts of the toner cartridge and form no part of the claimed design. The dot-dash chain lines in FIG. 9 depict a boundary of the enlarged partial cross-sectional view along lines B-B and lines C-C in FIG. 6, and form no part of the claimed design. The broken line cross-hatching in FIG. 9 merely indicates the presence of a material that is sectioned along line A-A and forms no part of the claimed design.

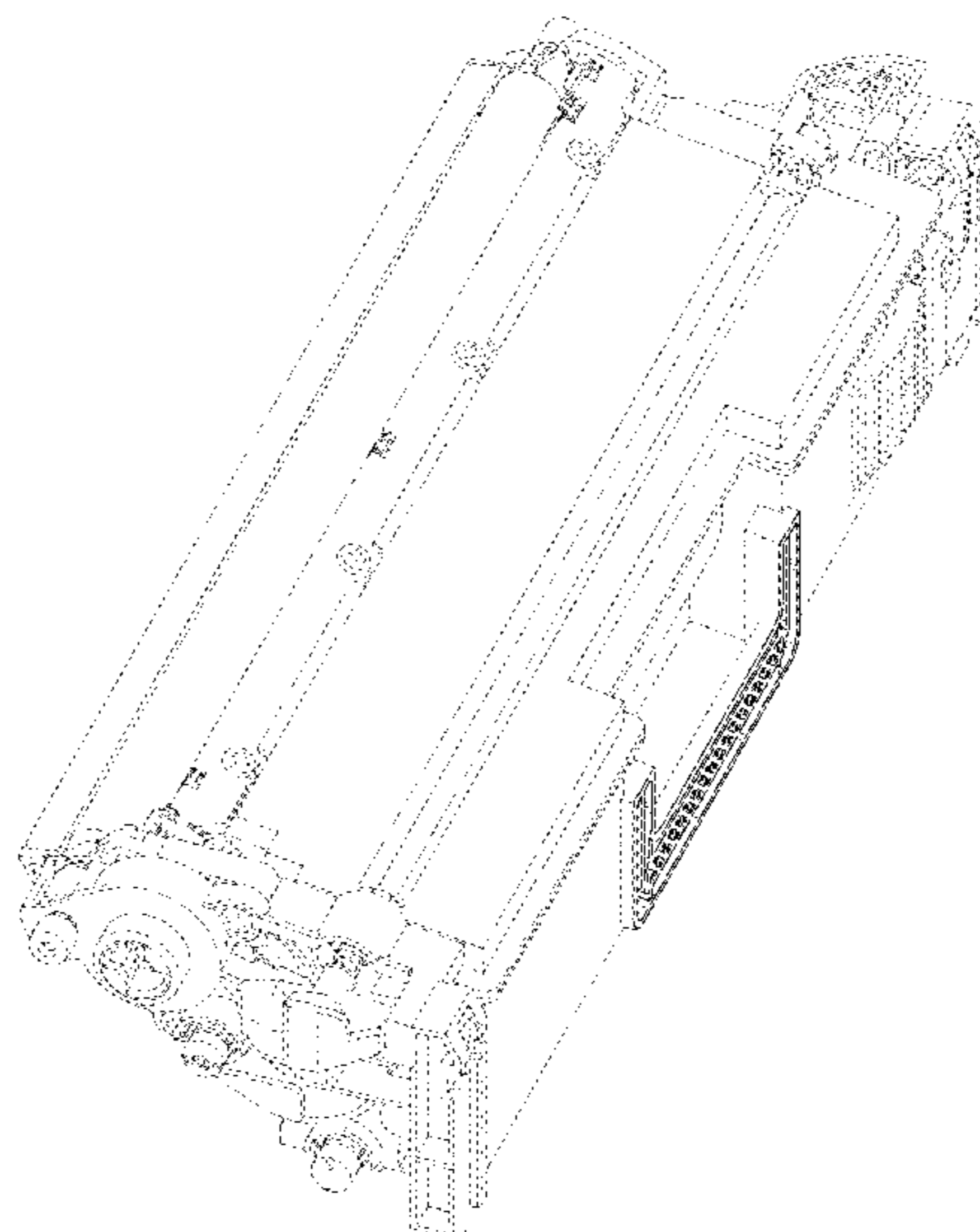
(56) **References Cited**

U.S. PATENT DOCUMENTS

D367,880 S * 3/1996 Miyamoto D18/43
D422,626 S * 4/2000 Kurosawa D18/43
D458,300 S * 6/2002 Kwon D18/43
D464,370 S * 10/2002 Kunihiro D18/43
D566,754 S * 4/2008 Hayashi D18/43
D653,283 S * 1/2012 Eto D18/43
D765,164 S * 8/2016 Park D18/43
D796,573 S * 9/2017 Li D18/43

(Continued)

1 Claim, 9 Drawing Sheets



(56)

References Cited

U.S. PATENT DOCUMENTS

10,025,264 B1 * 7/2018 Itabashi G03G 21/1652
D845,384 S * 4/2019 Oguma D18/43
D934,339 S * 10/2021 Amann D18/43
2014/0003836 A1 * 1/2014 Burchette G03G 21/12
399/109
2015/0139694 A1 * 5/2015 Shimizu G03G 21/1853
399/119
2018/0004123 A1 * 1/2018 Itabashi G03G 21/1821
2018/0011423 A1 * 1/2018 Itabashi G03G 15/0889
2018/0181022 A1 * 6/2018 Itabashi G03G 21/1814
2018/0203408 A1 * 7/2018 Itabashi G03G 21/1652
2019/0294102 A1 * 9/2019 Shimizu G03G 15/0896
2020/0310291 A1 * 10/2020 Itabashi G03G 15/0808
2020/0310340 A1 * 10/2020 Itabashi G03G 15/0813

OTHER PUBLICATIONS

Brother Toner Cartridge, Amazon.com, date published Jun. 23, 2012, date
retrieved Jul. 9, 2022-29768270 [https://www.amazon.com/Brother-
MFC-7840W-Toner-Cartridge-1-Pack/dp/B008E8S9FI](https://www.amazon.com/Brother-MFC-7840W-Toner-Cartridge-1-Pack/dp/B008E8S9FI) (Year: 2012).*

* cited by examiner

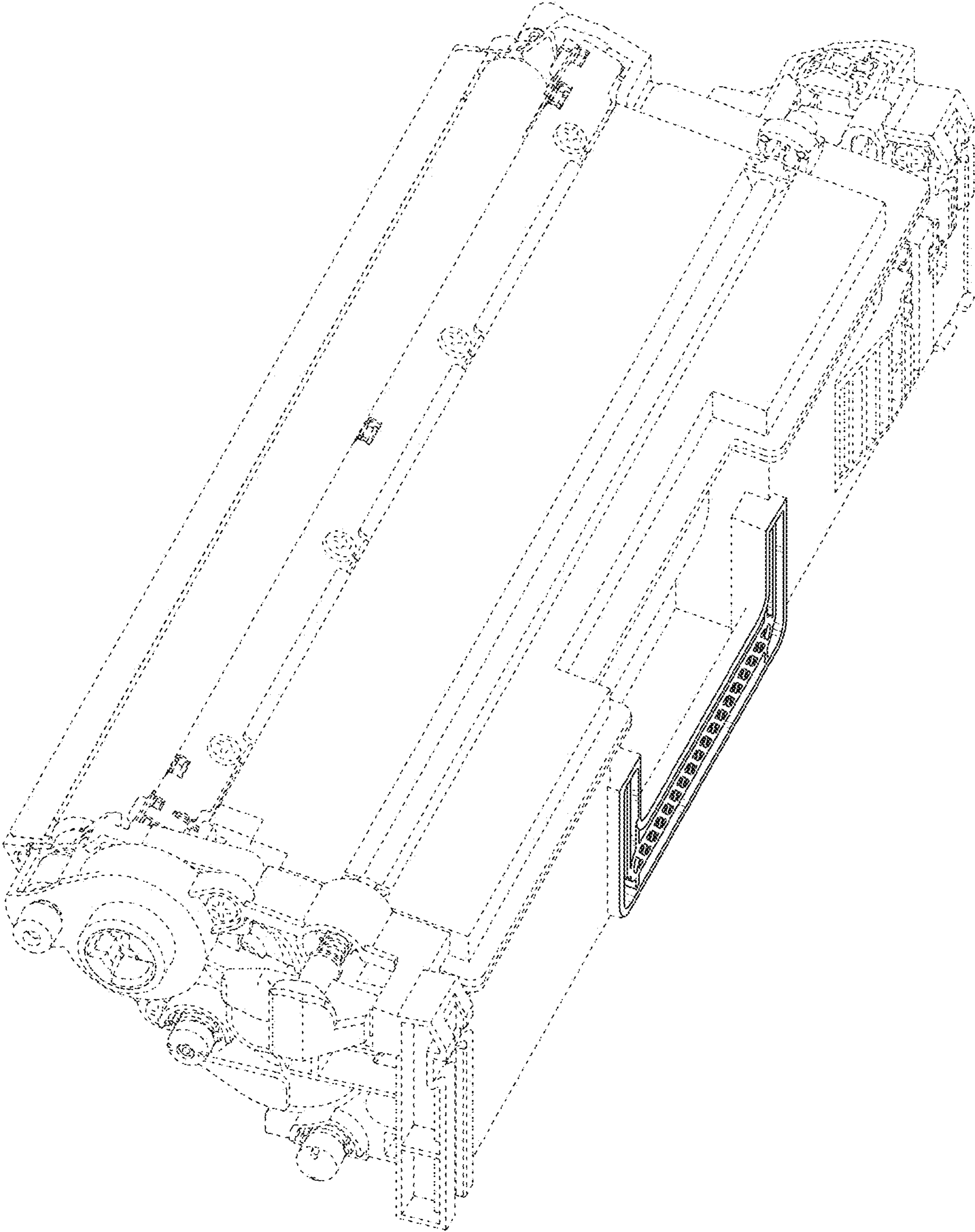


FIG. 1

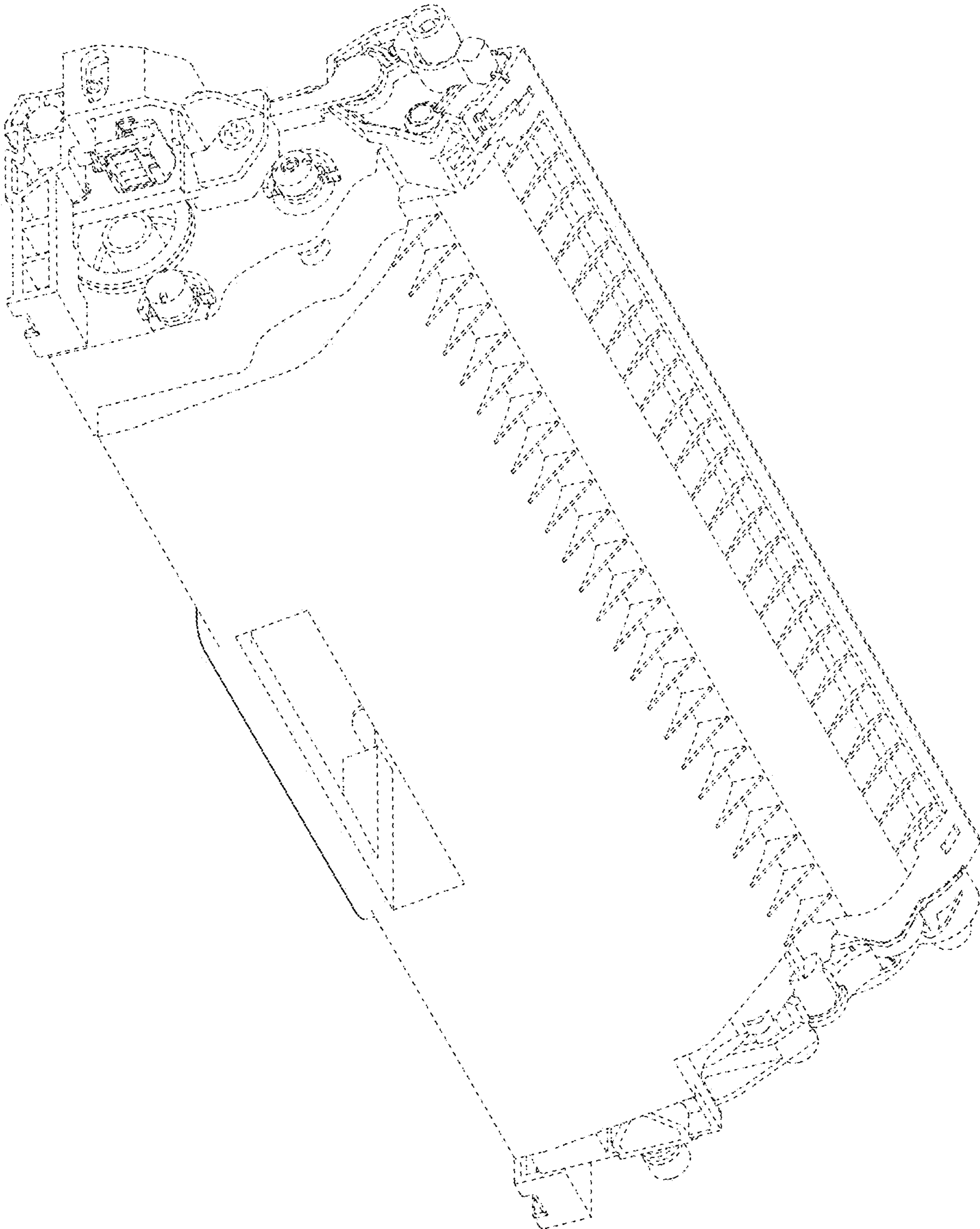


FIG. 2

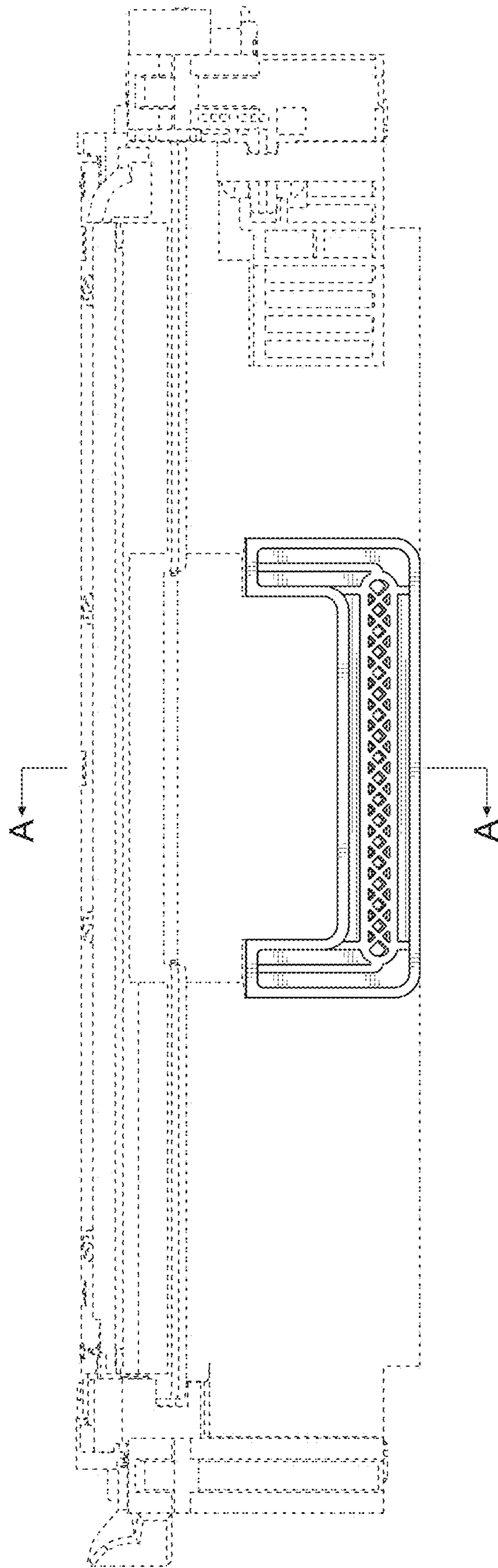


FIG. 3

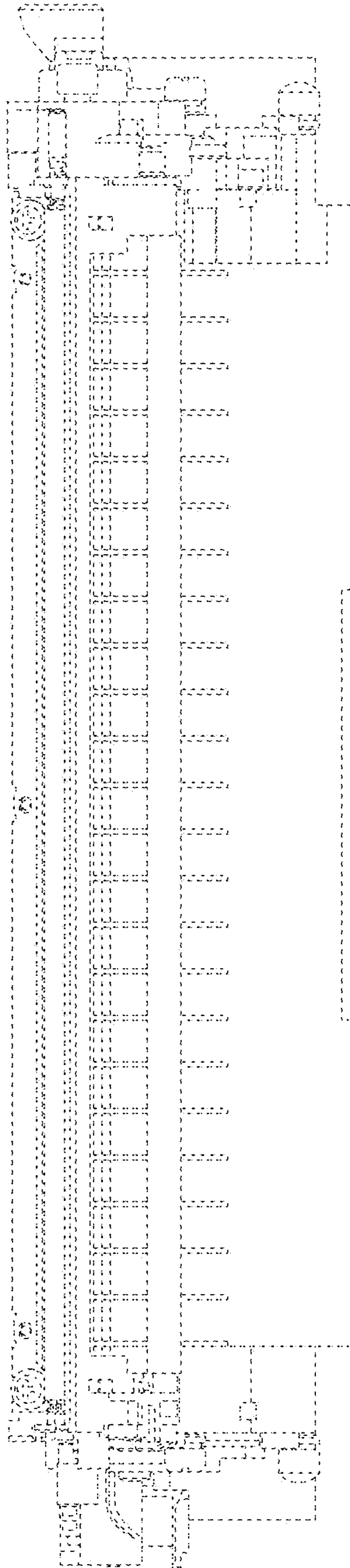


FIG. 4

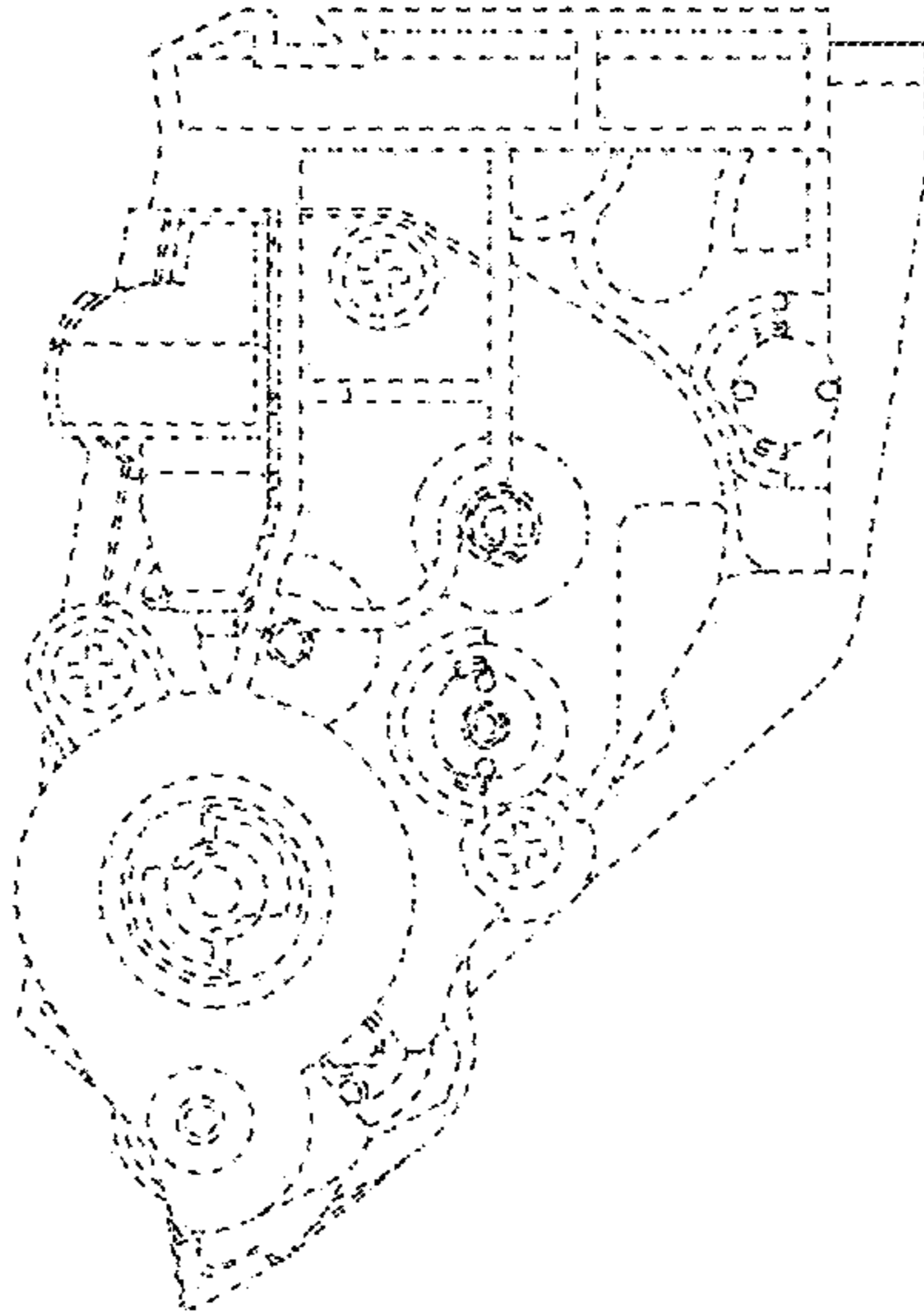


FIG. 5

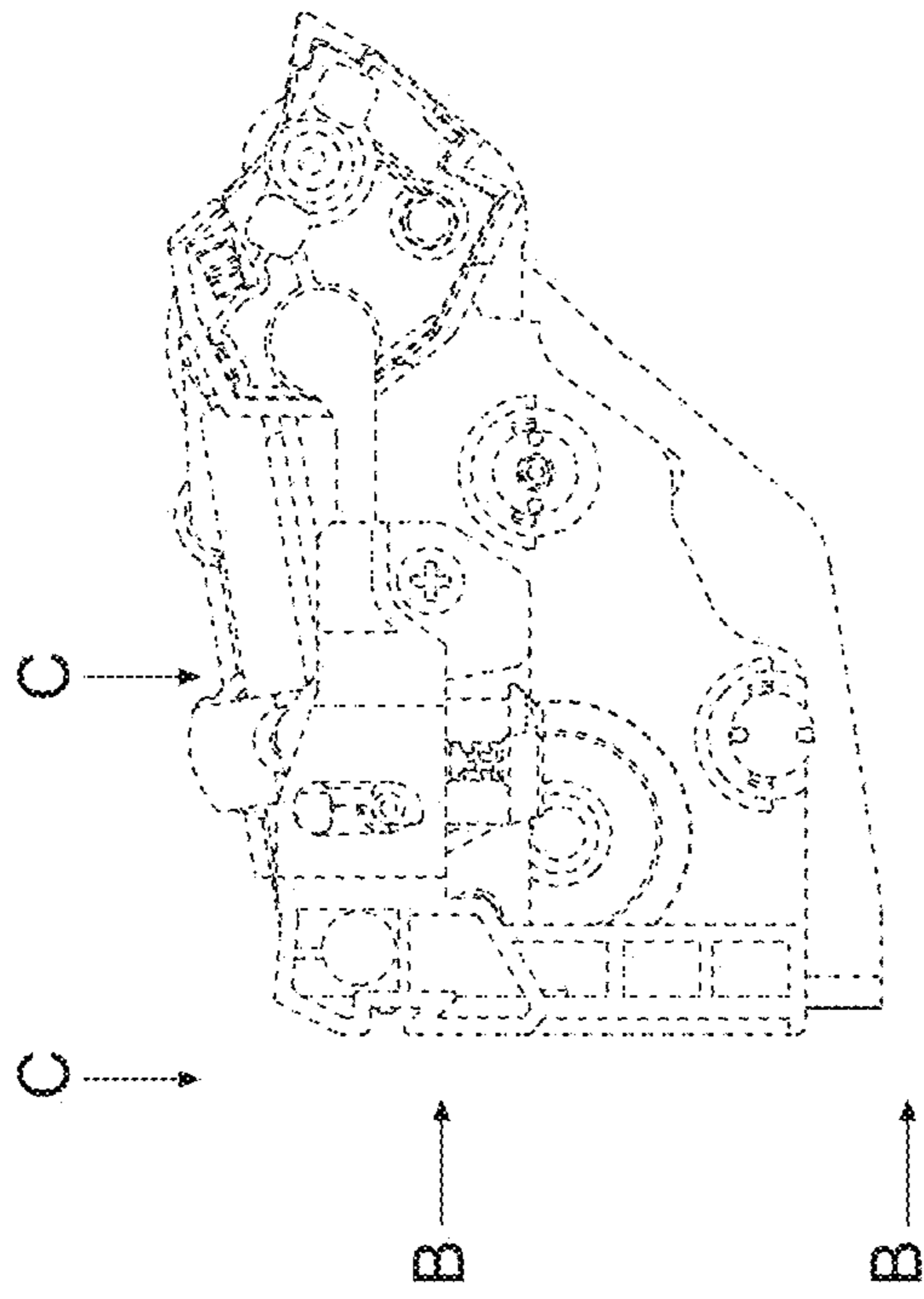


FIG. 6

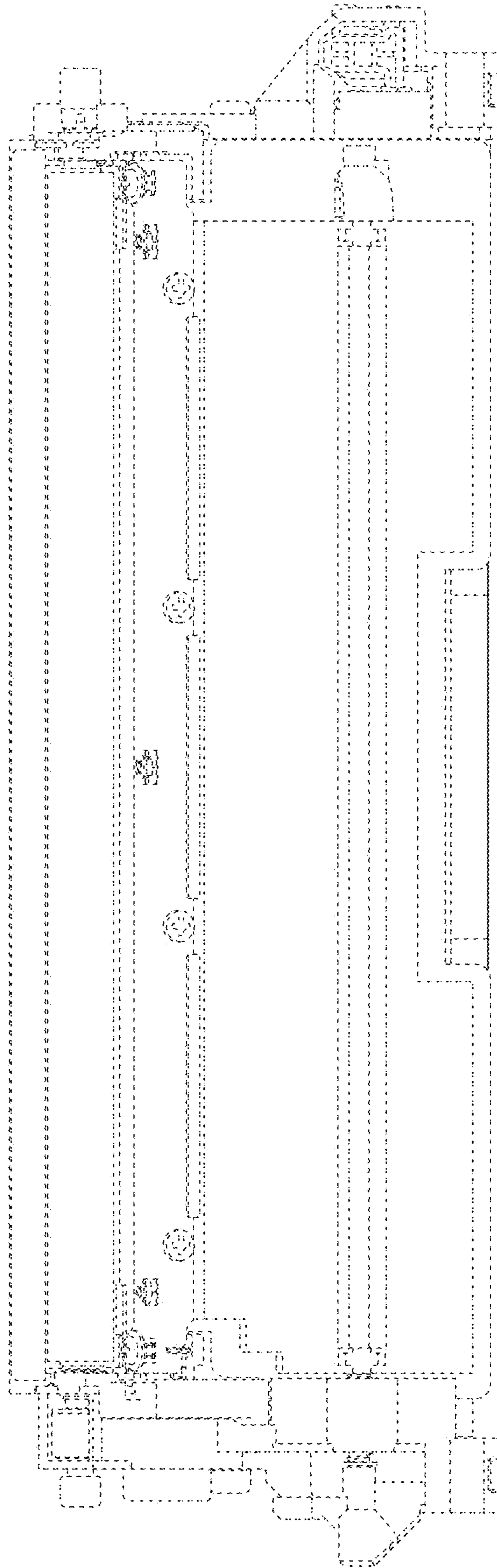


FIG. 7

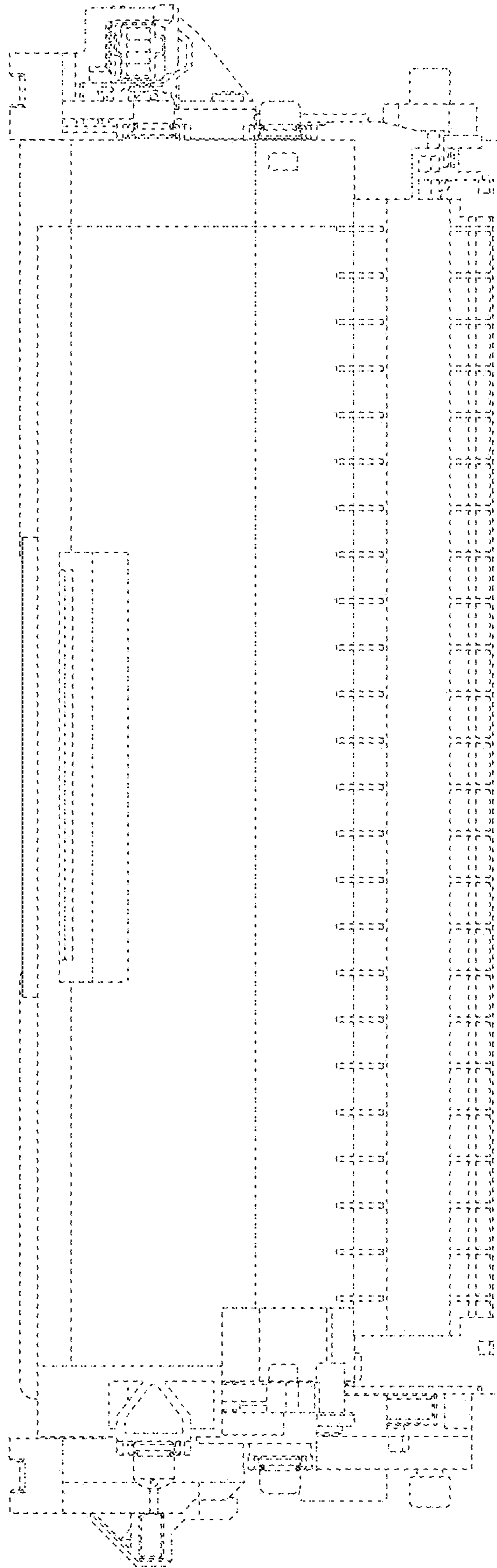


FIG. 8

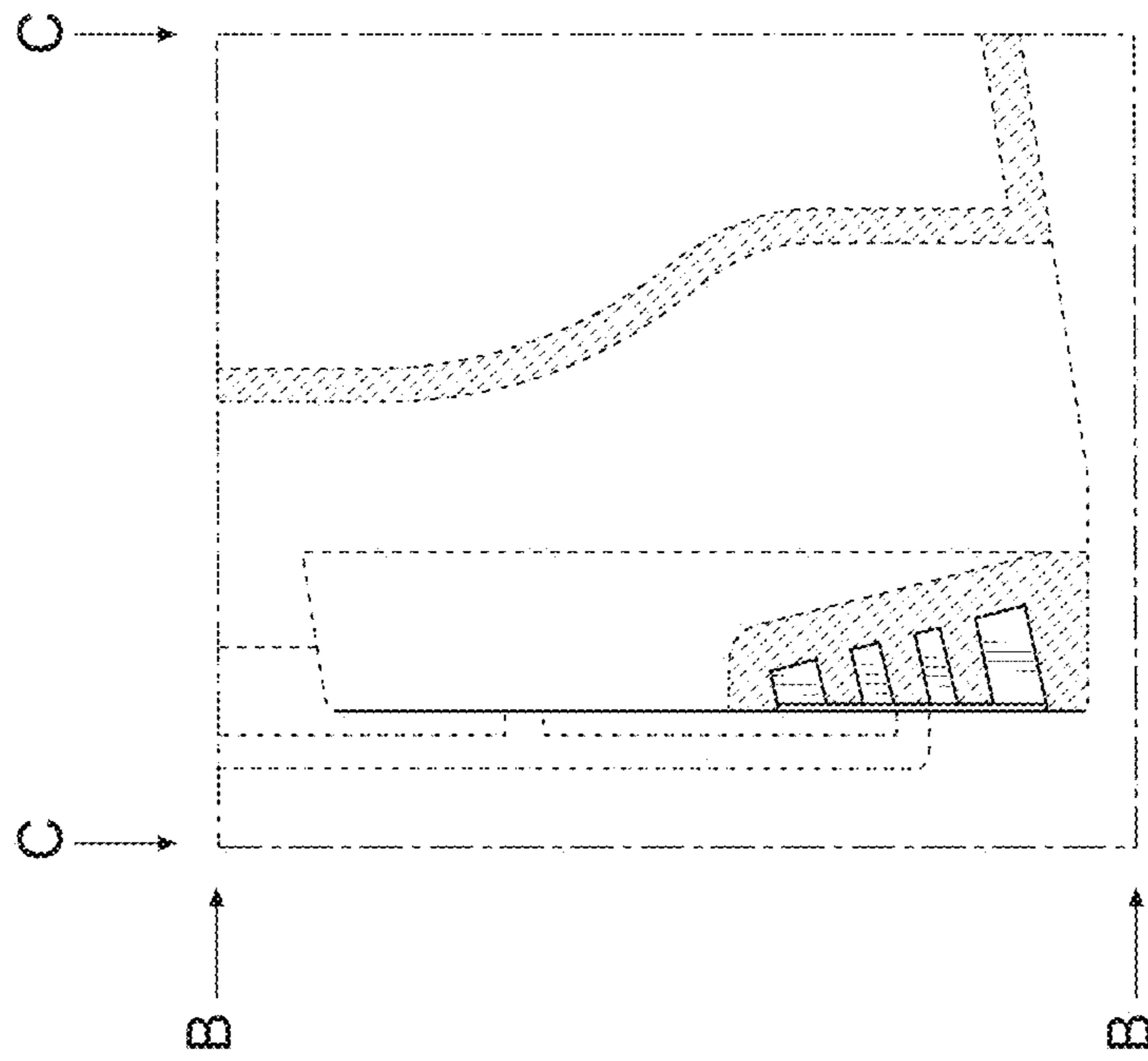


FIG. 9