



US00D976308S

(12) **United States Design Patent** (10) **Patent No.:** **US D976,308 S**  
**Ishikawa et al.** (45) **Date of Patent:** **\*\* Jan. 24, 2023**

(54) **PORTABLE LABEL PRINTER**

(56) **References Cited**

(71) Applicant: **SATO HOLDINGS KABUSHIKI KAISHA**, Tokyo (JP)

U.S. PATENT DOCUMENTS

(72) Inventors: **Toshihiro Ishikawa**, Asaka (JP);  
**Kazuyuki Hoshi**, Tokyo (JP)

D628,620 S *	12/2010	Beck .....	D18/50
D685,415 S *	7/2013	Kinoshita .....	D18/54
D713,871 S *	9/2014	Preliasco .....	D18/14
D765,773 S *	9/2016	Ozawa .....	D18/14
D790,006 S *	6/2017	Yoshida .....	D18/14
D829,812 S *	10/2018	Tsiopanos .....	D18/19
D833,521 S *	11/2018	Nanno .....	D18/50
D963,038 S *	9/2022	Tsiopanos .....	D18/19

(73) Assignee: **SATO HOLDINGS KABUSHIKI KAISHA**, Tokyo (JP)

(\*\*) Term: **15 Years**

\* cited by examiner

(21) Appl. No.: **35/512,287**

*Primary Examiner* — Khawaja Anwar

(22) Filed: **Jan. 25, 2021**

(74) *Attorney, Agent, or Firm* — Andrew F. Young; Nolte Lackenbach Siegel

(80) **Hague Agreement Data**

Int. Filing Date: **Jan. 25, 2021**  
 Int. Reg. No.: **DM/213876**  
 Int. Reg. Date: **Jan. 25, 2021**  
 Int. Reg. Pub. Date: **Jul. 30, 2021**

(57) **CLAIM**

The ornamental design for a portable label printer, as shown and described.

(51) **LOC (14) Cl.** ..... **18-03**

(52) **U.S. Cl.**  
USPC ..... **D18/19**

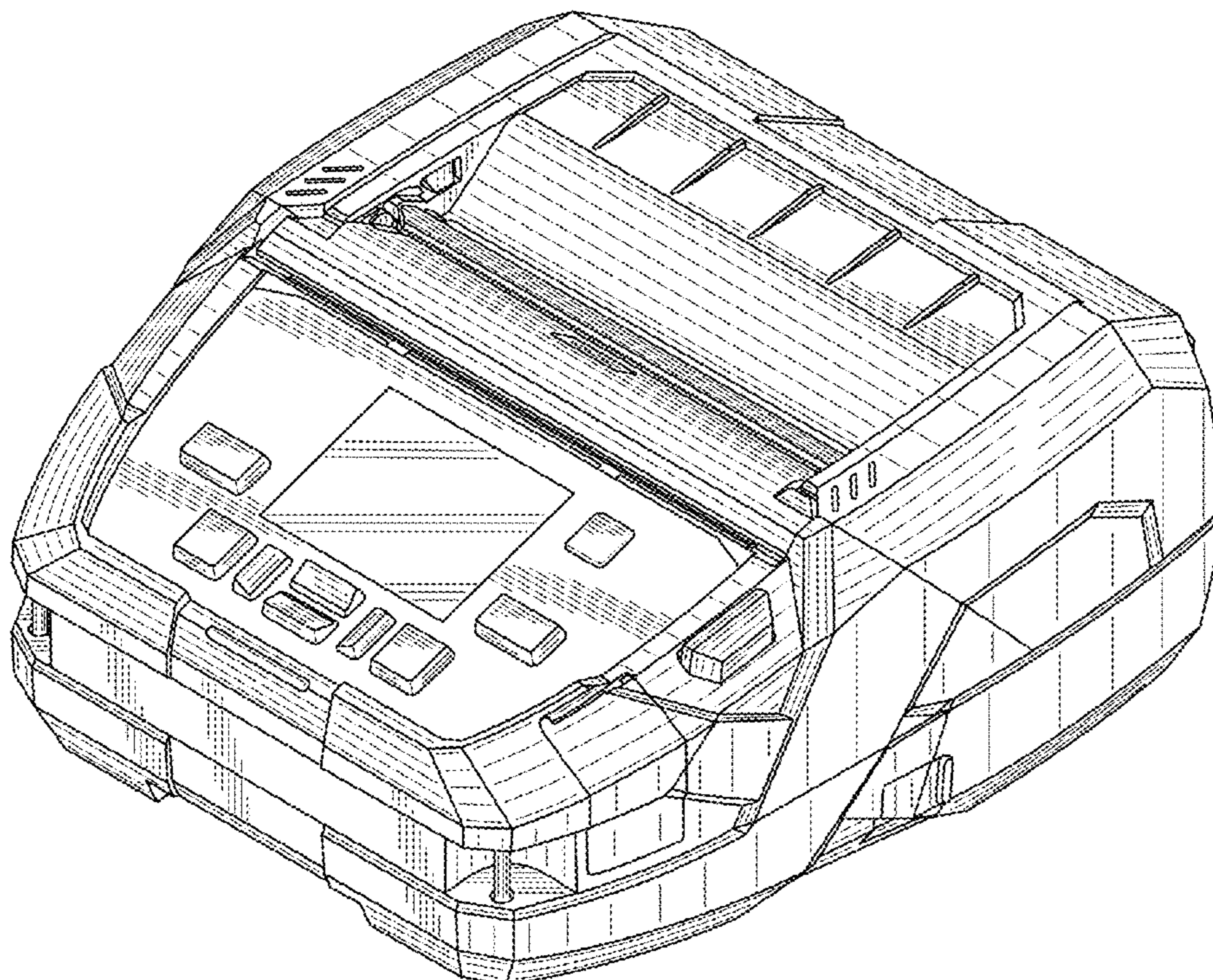
(58) **Field of Classification Search**  
 USPC ..... D18/19, 34.3, 36, 43, 46, 47, 50, 53, 56,  
 D18/59  
 CPC .. B41F 15/26; B41F 33/0036; B41F 33/0045;  
 B41J 2/17546; G03G 15/04; G03G  
 15/5016; G03G 15/60; G03G 15/607;  
 G03G 21/0094; G03G 21/1619; G03G  
 21/1647; G03G 21/1666

**DESCRIPTION**

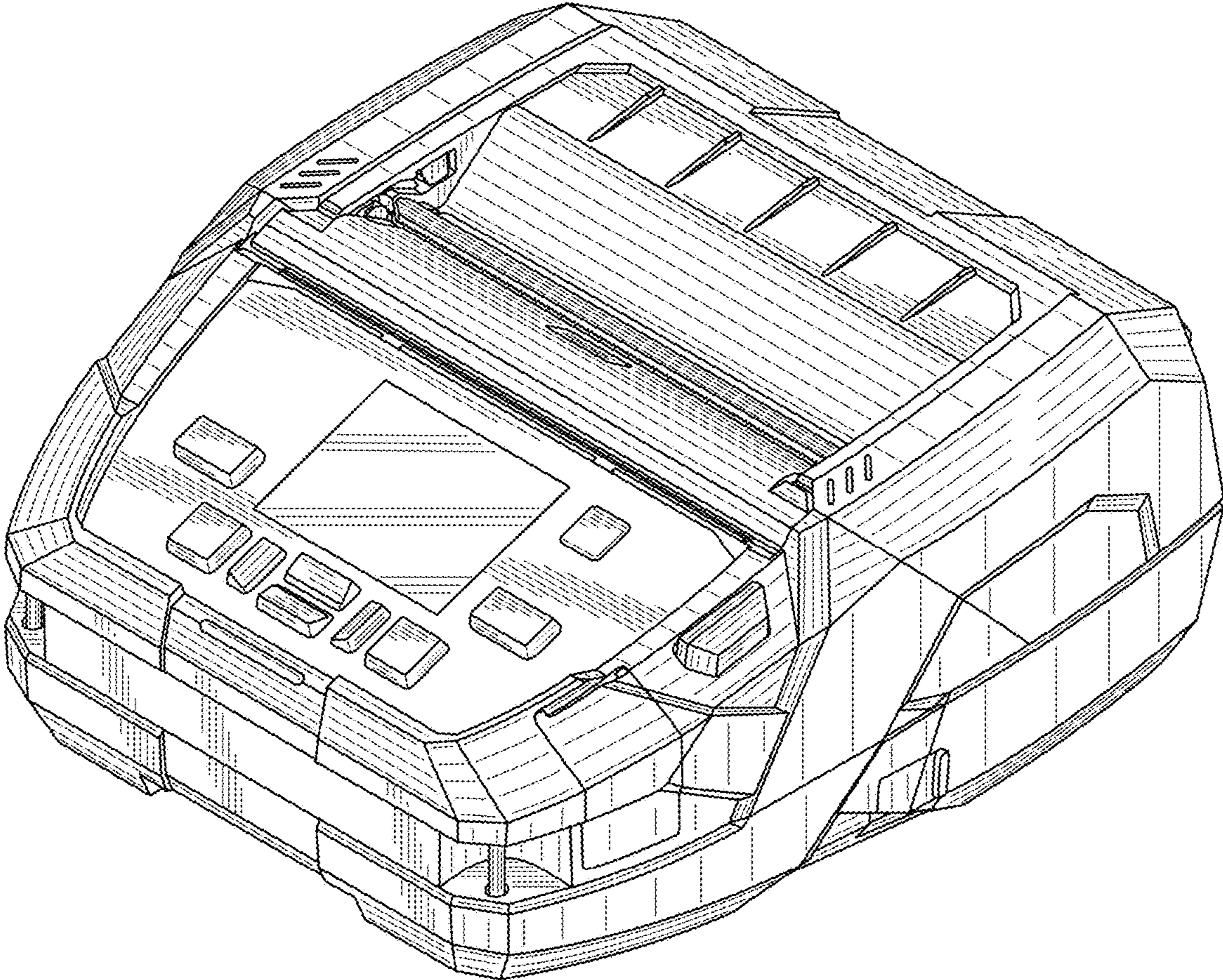
- 1. Portable label printer
- 1.1 : Perspective
- 1.2 : Perspective
- 1.3 : Front
- 1.4 : Back
- 1.5 : Top
- 1.6 : Bottom
- 1.7 : Right
- 1.8 : Left

See application file for complete search history.

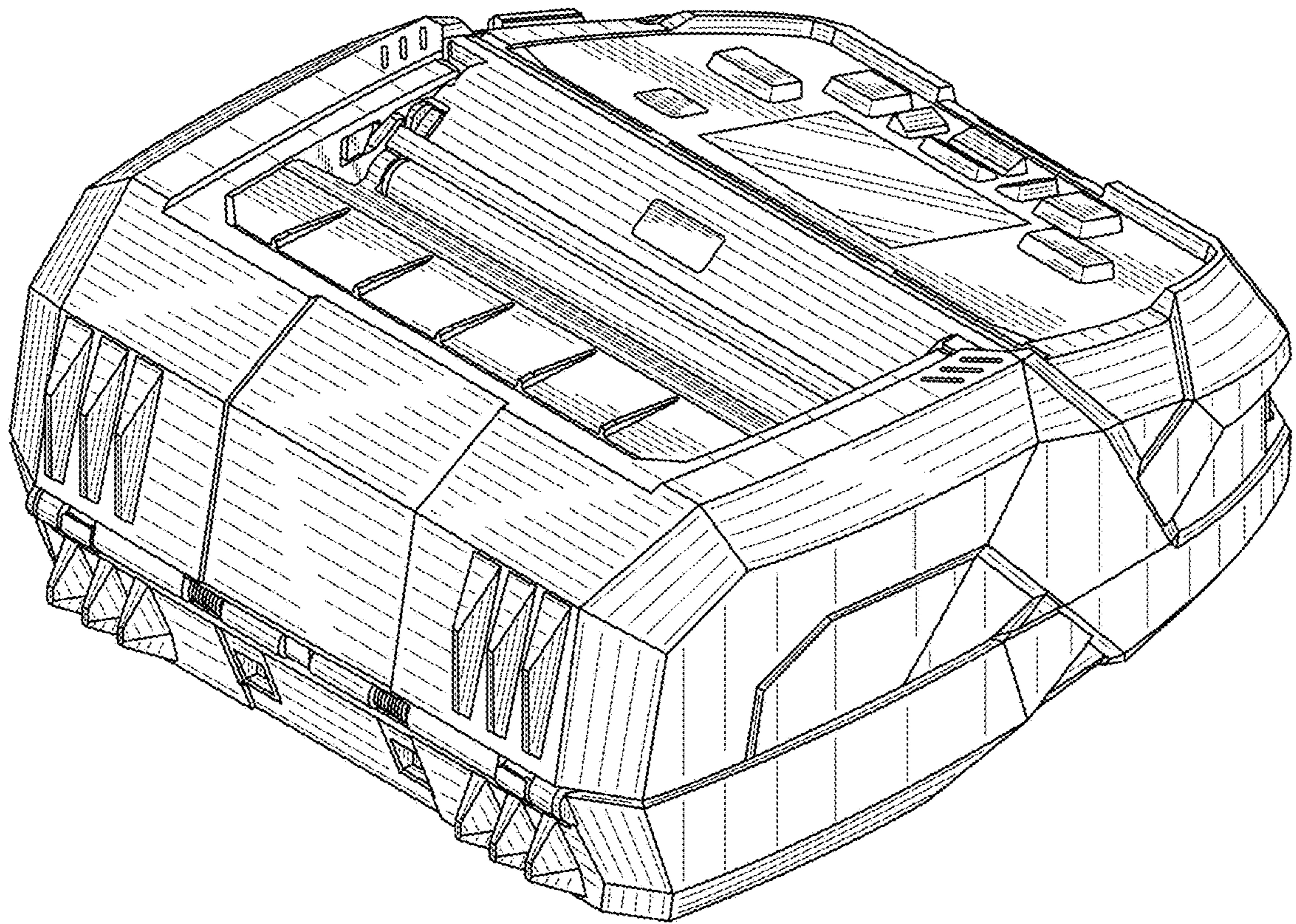
**1 Claim, 8 Drawing Sheets**



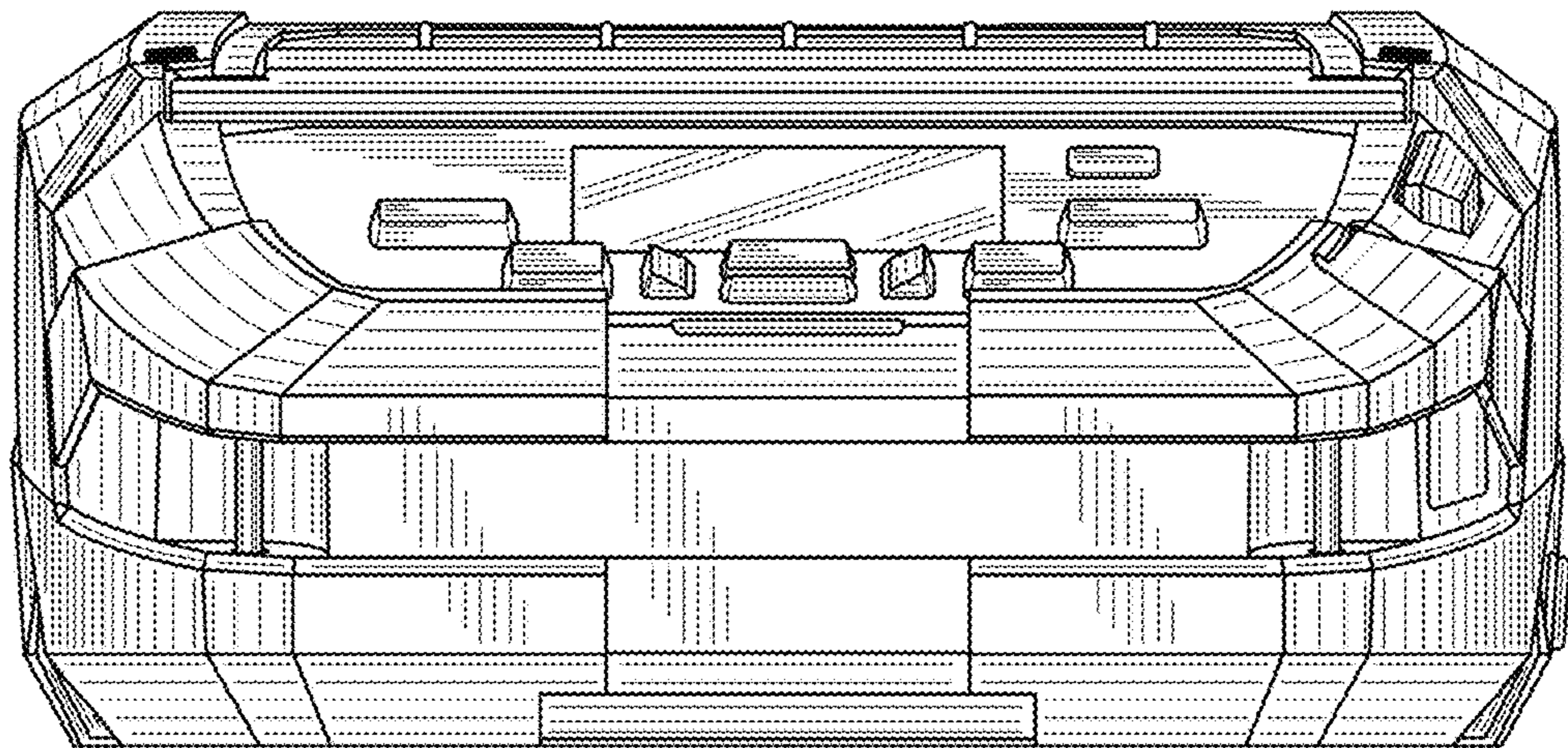
1.1



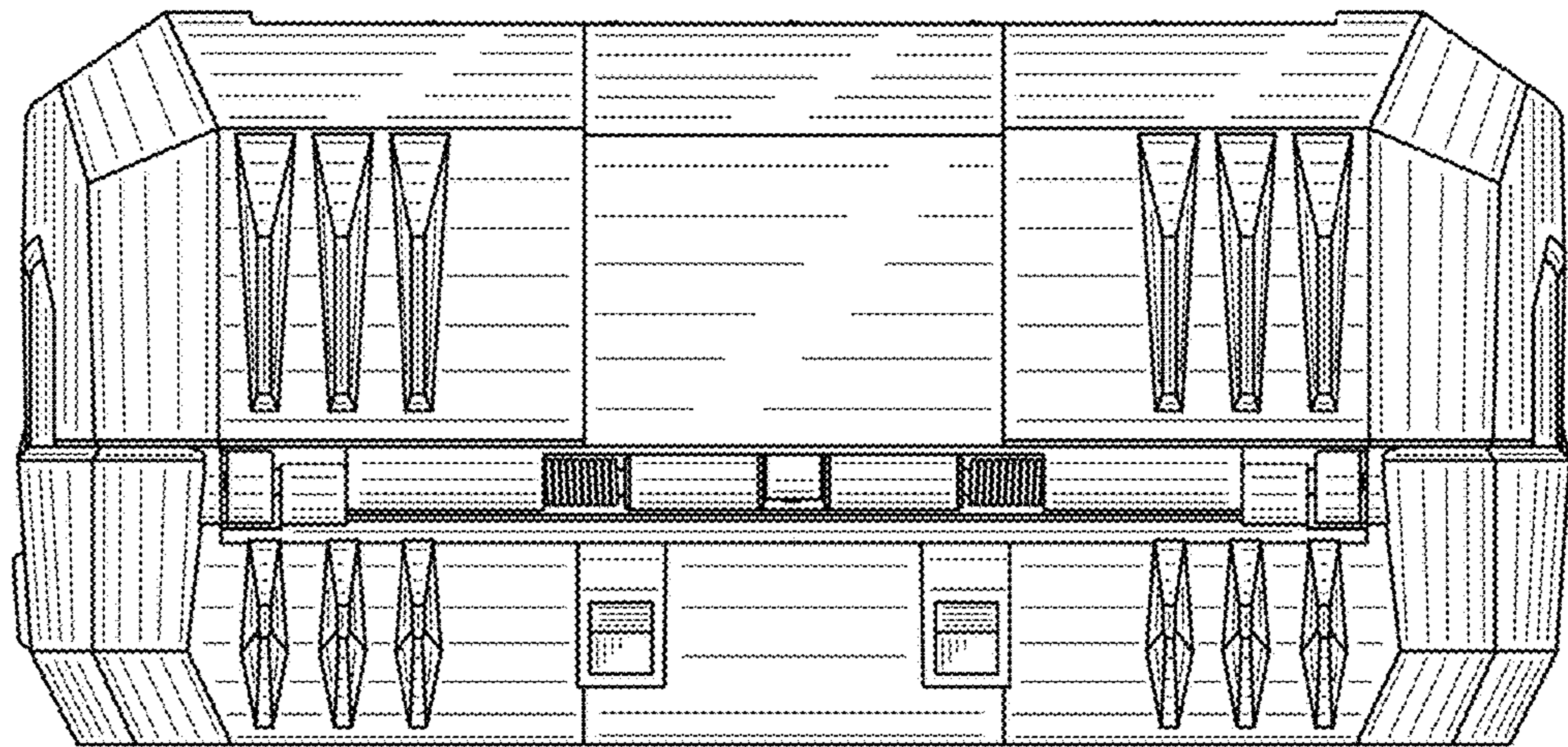
1.2



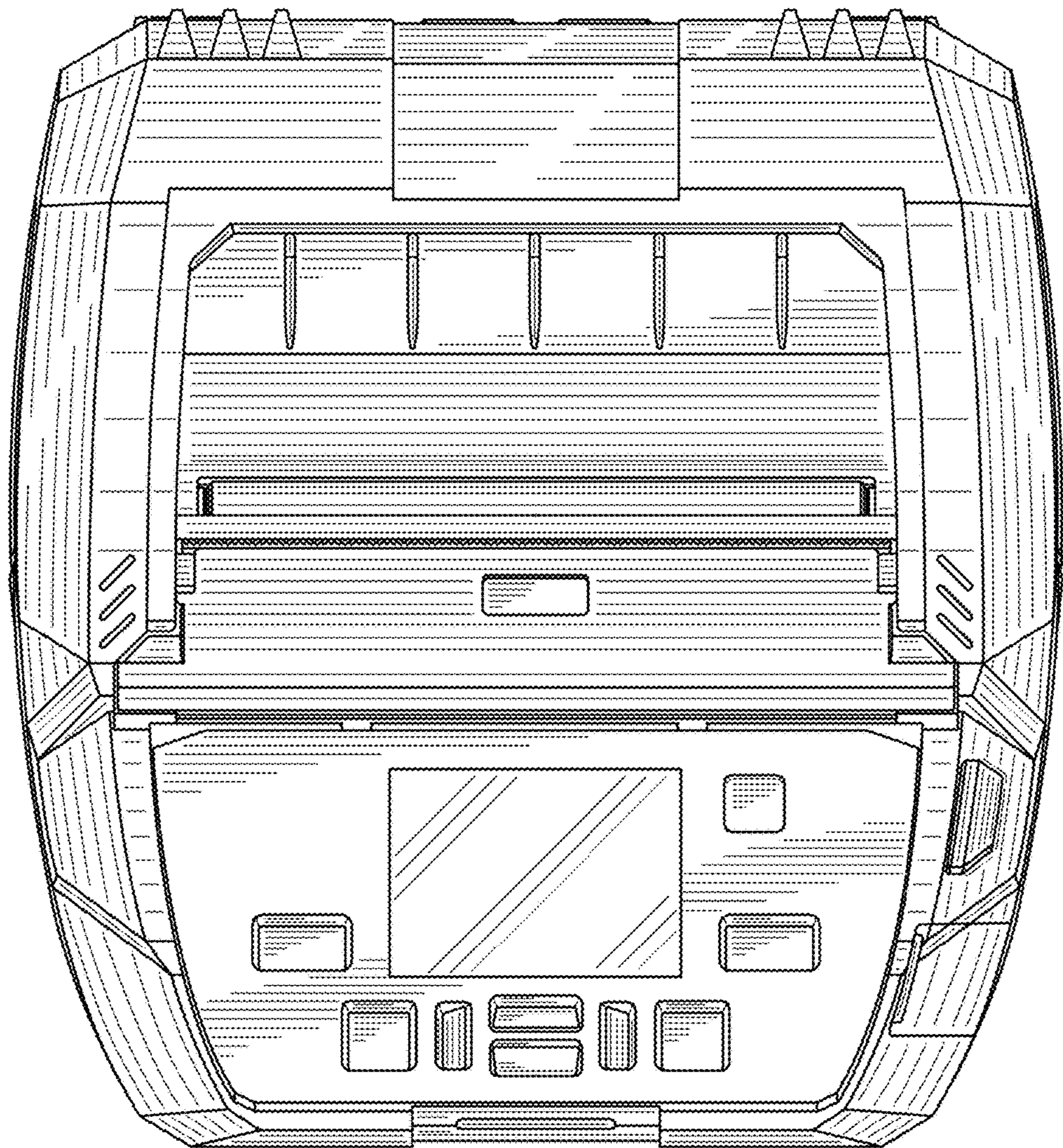
1.3



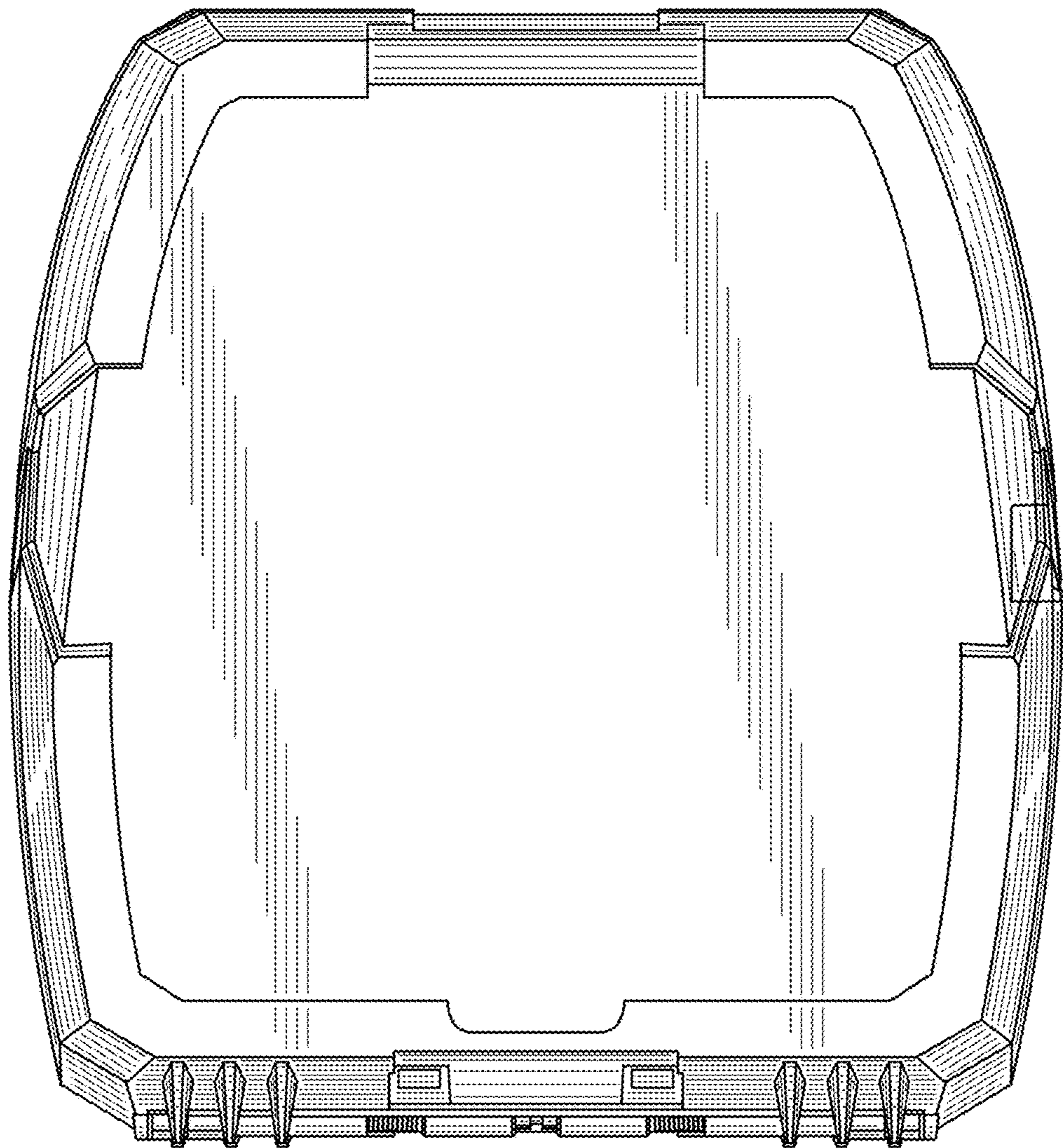
1.4



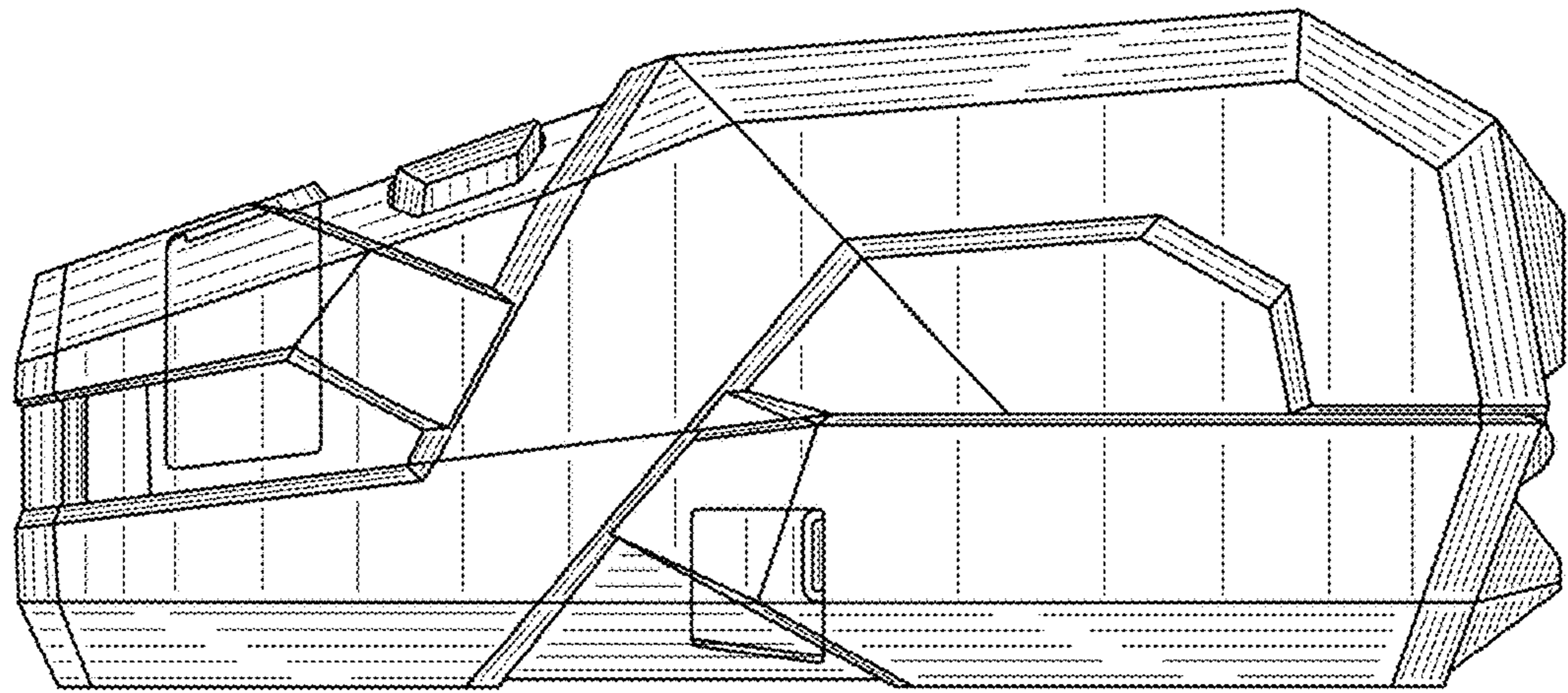
1.5



1.6



1.7





1.8

