



US00D976307S

(12) **United States Design Patent**
Yang

(10) **Patent No.:** **US D976,307 S**
(45) **Date of Patent:** **** Jan. 24, 2023**

(54) **STEEL TONGUE DRUM**

- (71) Applicant: **Yi Yang**, Liaoning (CN)
- (72) Inventor: **Yi Yang**, Liaoning (CN)
- (**) Term: **15 Years**
- (21) Appl. No.: **29/769,980**
- (22) Filed: **Feb. 9, 2021**
- (51) **LOC (14) Cl.** **17-04**
- (52) **U.S. Cl.**
USPC **D17/22**
- (58) **Field of Classification Search**
USPC D17/22, 99; D21/405
CPC G10D 13/00; G10D 13/01; G10D 13/02;
G10D 13/03; G10D 13/063; G10D
13/065; G10D 13/08; G10D 13/10; G10D
13/14; G10D 13/20; G10D 99/00
See application file for complete search history.

(56) **References Cited**

U.S. PATENT DOCUMENTS

D885,478	S	*	5/2020	Chen	D17/22
D897,420	S	*	9/2020	Chen	D17/22
D908,168	S	*	1/2021	Chen	D17/22
D914,798	S	*	3/2021	Yang	D17/22
D915,501	S	*	4/2021	Yang	D17/22
D941,386	S	*	1/2022	Chen	D17/22
D943,659	S	*	2/2022	Yang	D17/22
D961,666	S	*	8/2022	Wang	D17/22
D961,667	S	*	8/2022	Wang	D17/22
2015/0364121	A1	*	12/2015	Güngör	G10D 13/08 84/411 R

FOREIGN PATENT DOCUMENTS

WO WO-2017162203 A1 * 9/2017

OTHER PUBLICATIONS

Amazon.com. https://www.amazon.com/FLFL-Steel-Tongue-Drums-Drumstick/dp/B09TPHV98Z/ref=sr_1_280?crd=1CABX98YJY2NF&keywords=steel%2Btongue%2Bhand%2Bpan%2Bdrum&qid=1663012487&prefix=steel%2Btongue%2Bhand%2Bpan%2Bdrum%2Caps%2C59&sr=8-280&th=1. "FLFL Steel Tongue Drum". Date Unknown: Viewed Sep. 2022 (Year: 2022).*

* cited by examiner

Primary Examiner — R. Johnson

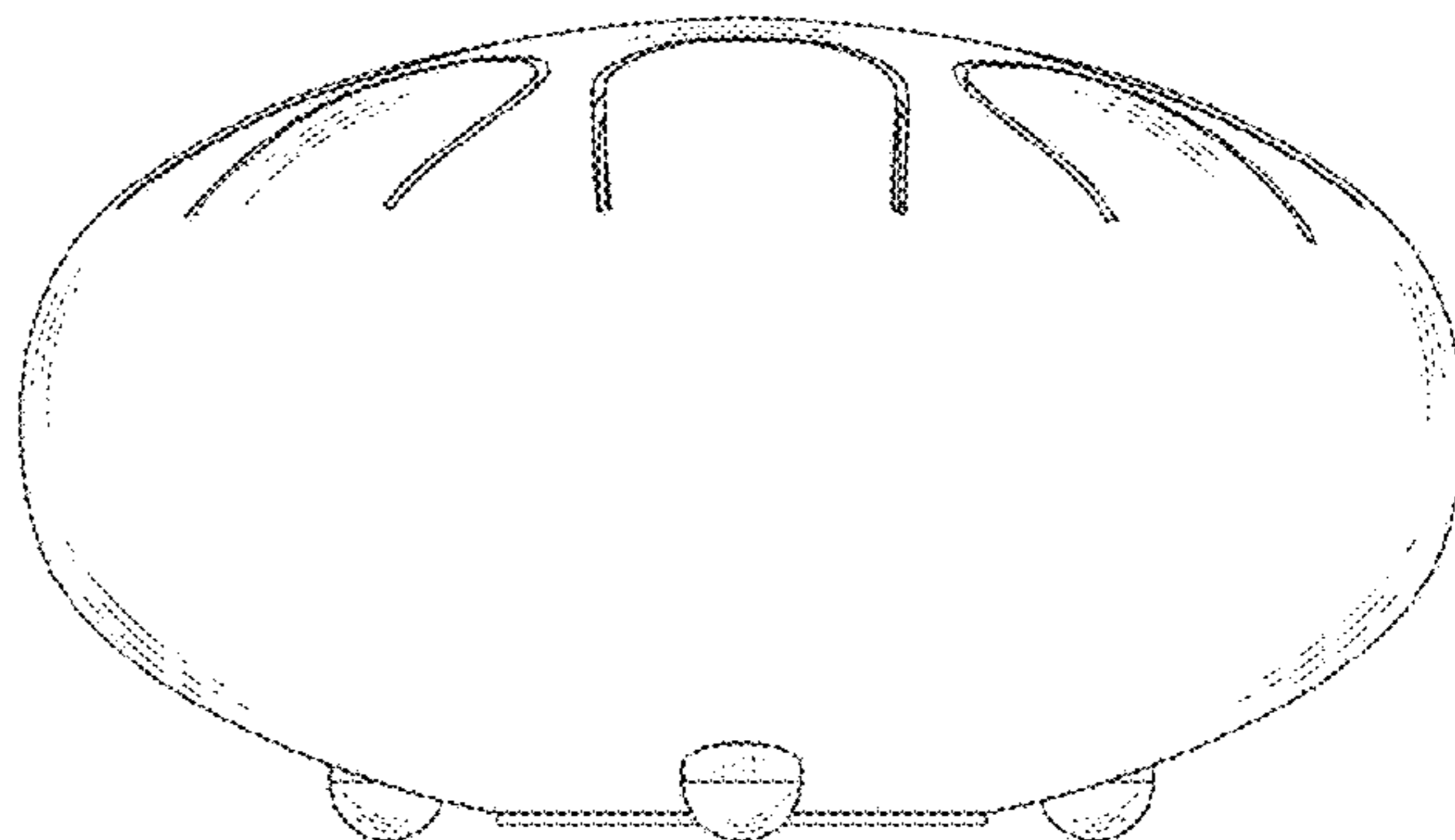
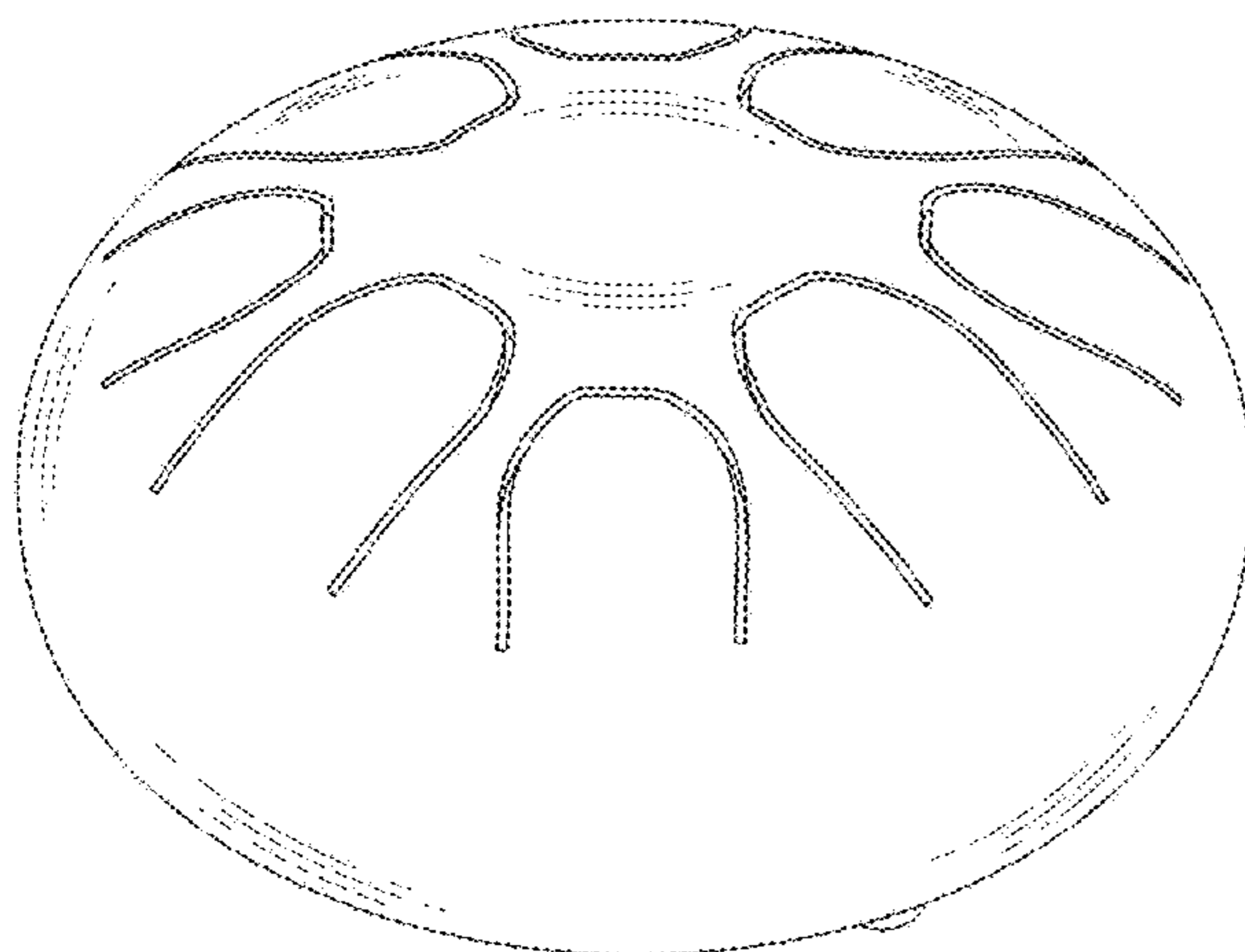
(57) **CLAIM**

The ornamental design for a steel tongue drum, as shown and described.

DESCRIPTION

FIG. 1 is a perspective view of a first embodiment of a steel tongue drum showing my new design; FIG. 2 is a front elevation view thereof; FIG. 3 is a rear elevation view thereof; FIG. 4 is a left side elevation view thereof; FIG. 5 is a right side elevation view thereof; FIG. 6 is a top plan view thereof; FIG. 7 is a bottom plan view thereof; FIG. 8 is a perspective view of a second embodiment of a steel tongue drum showing my new design; FIG. 9 is a front elevation view thereof; FIG. 10 is a rear elevation view thereof; FIG. 11 is a left side elevation view thereof; FIG. 12 is a right side elevation view thereof; FIG. 13 is a top plan view thereof; and, FIG. 14 is a bottom plan view thereof.

1 Claim, 14 Drawing Sheets



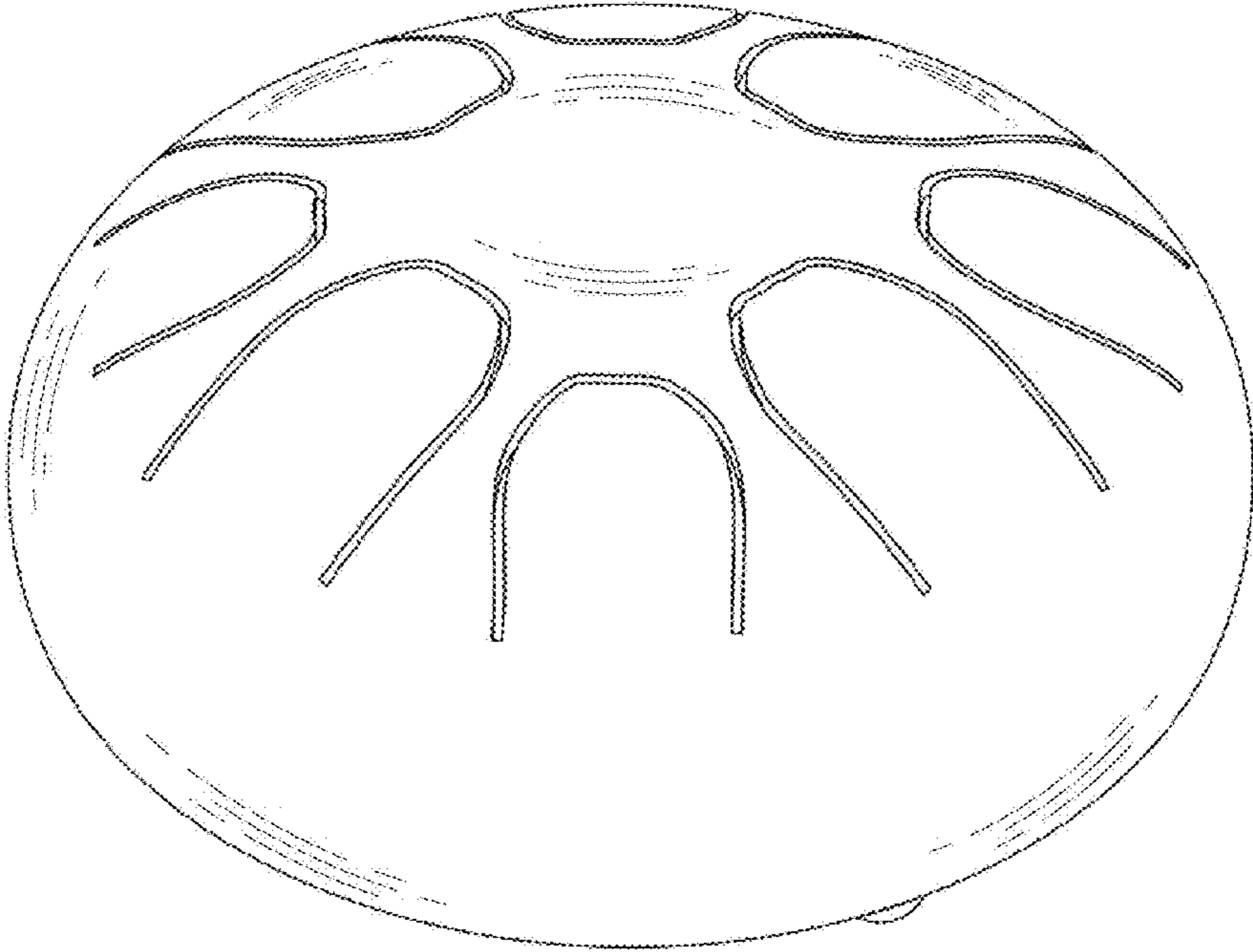


FIG.1

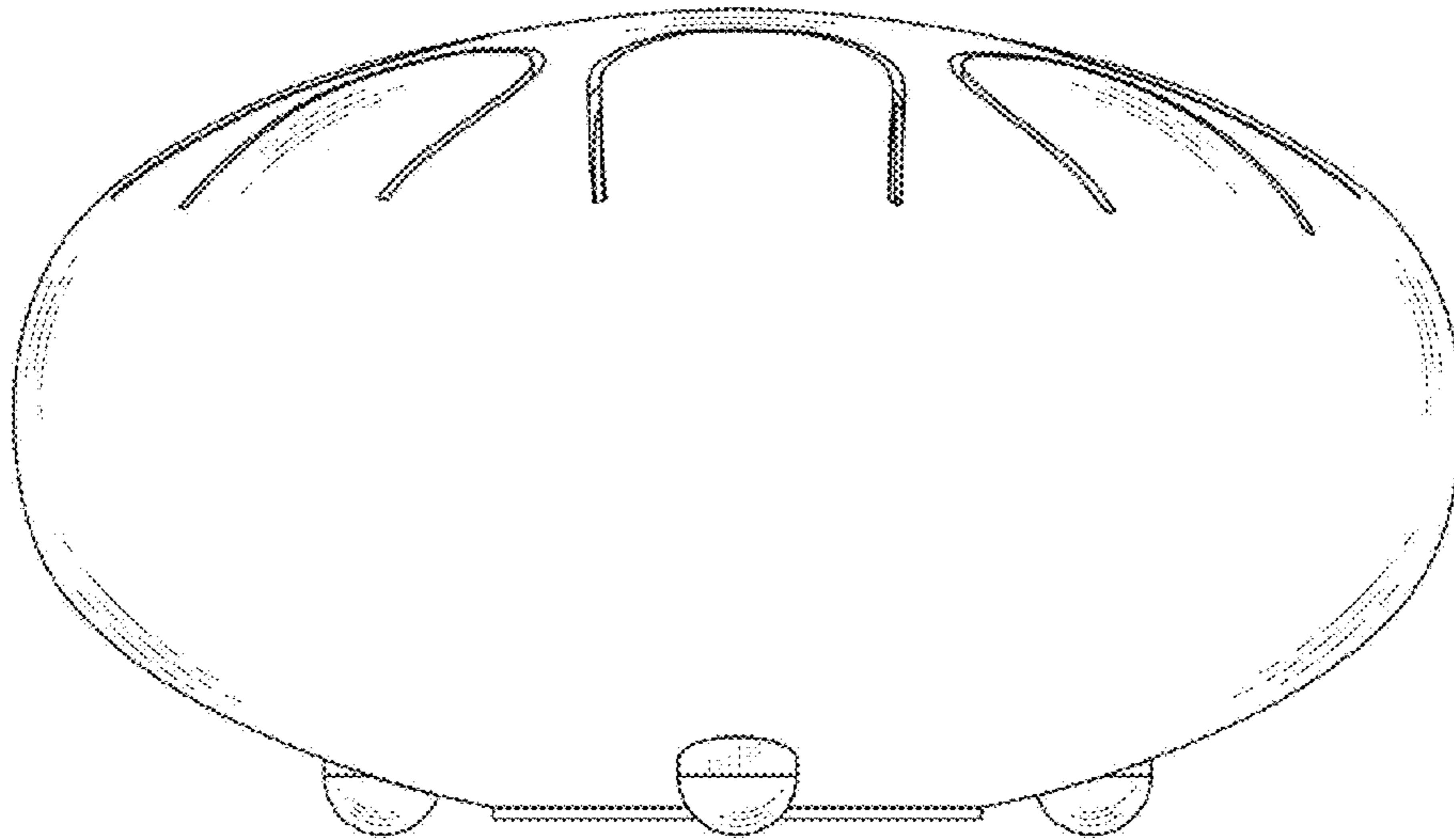


FIG.2

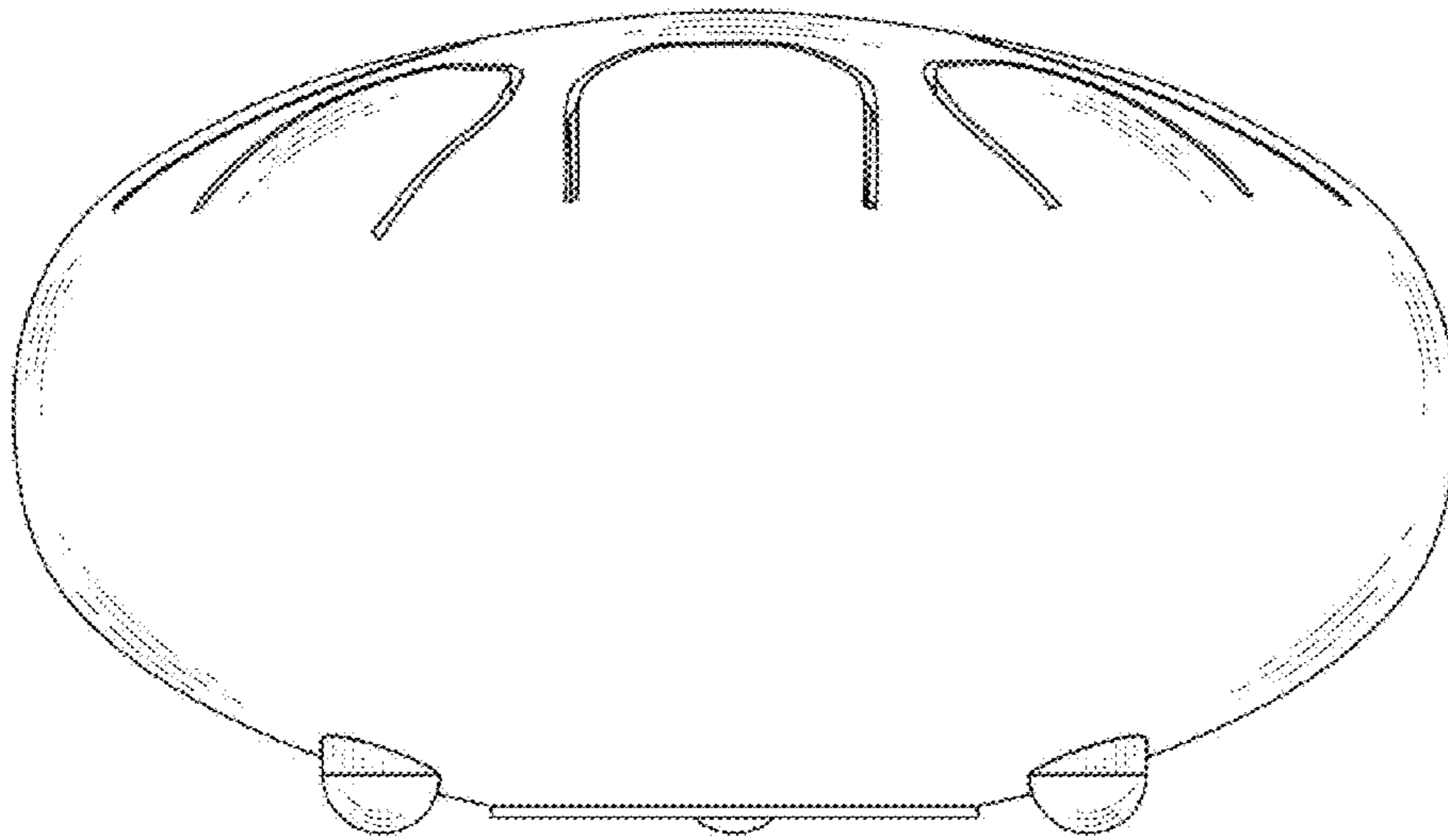


FIG.3

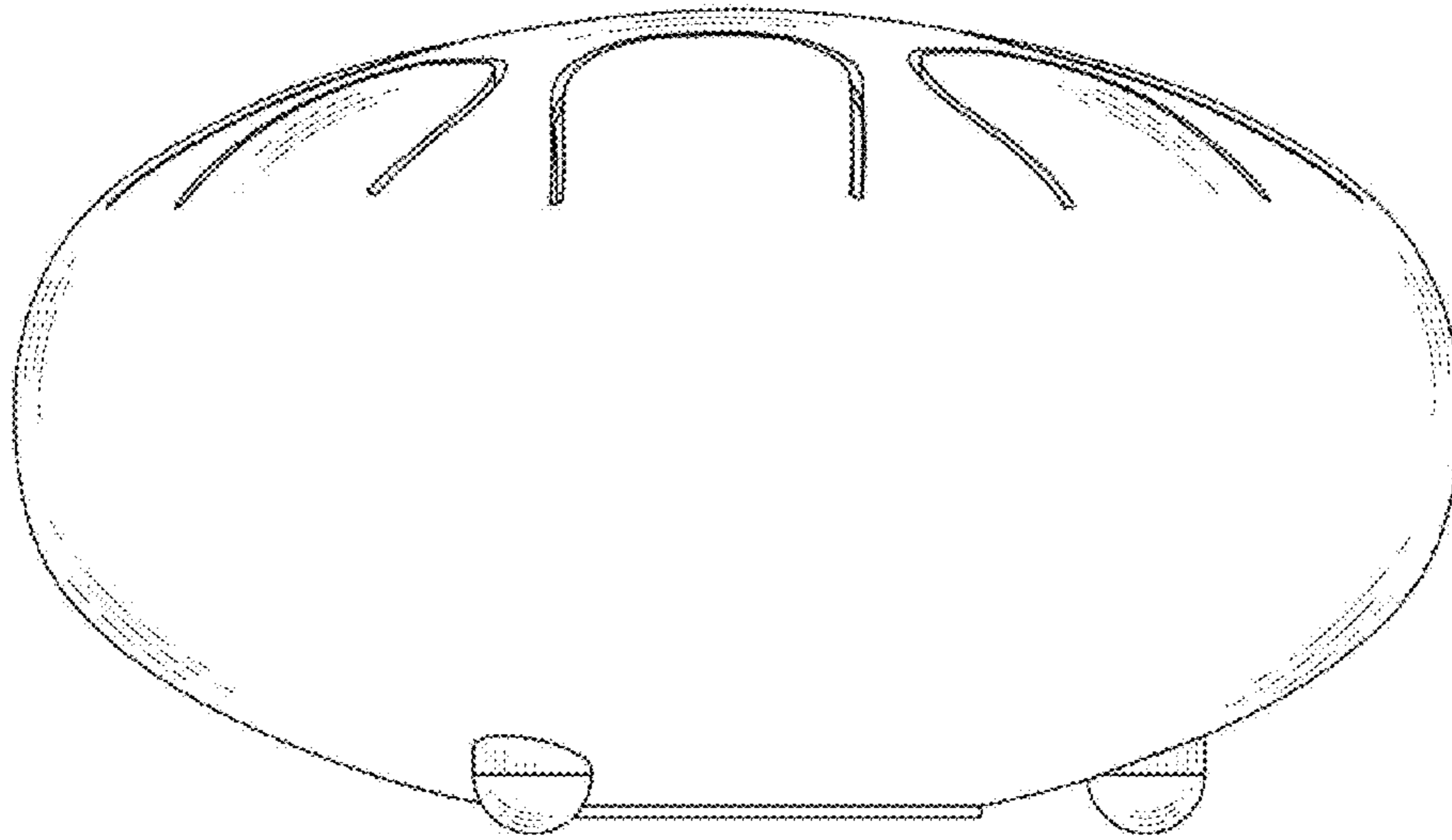


FIG.4

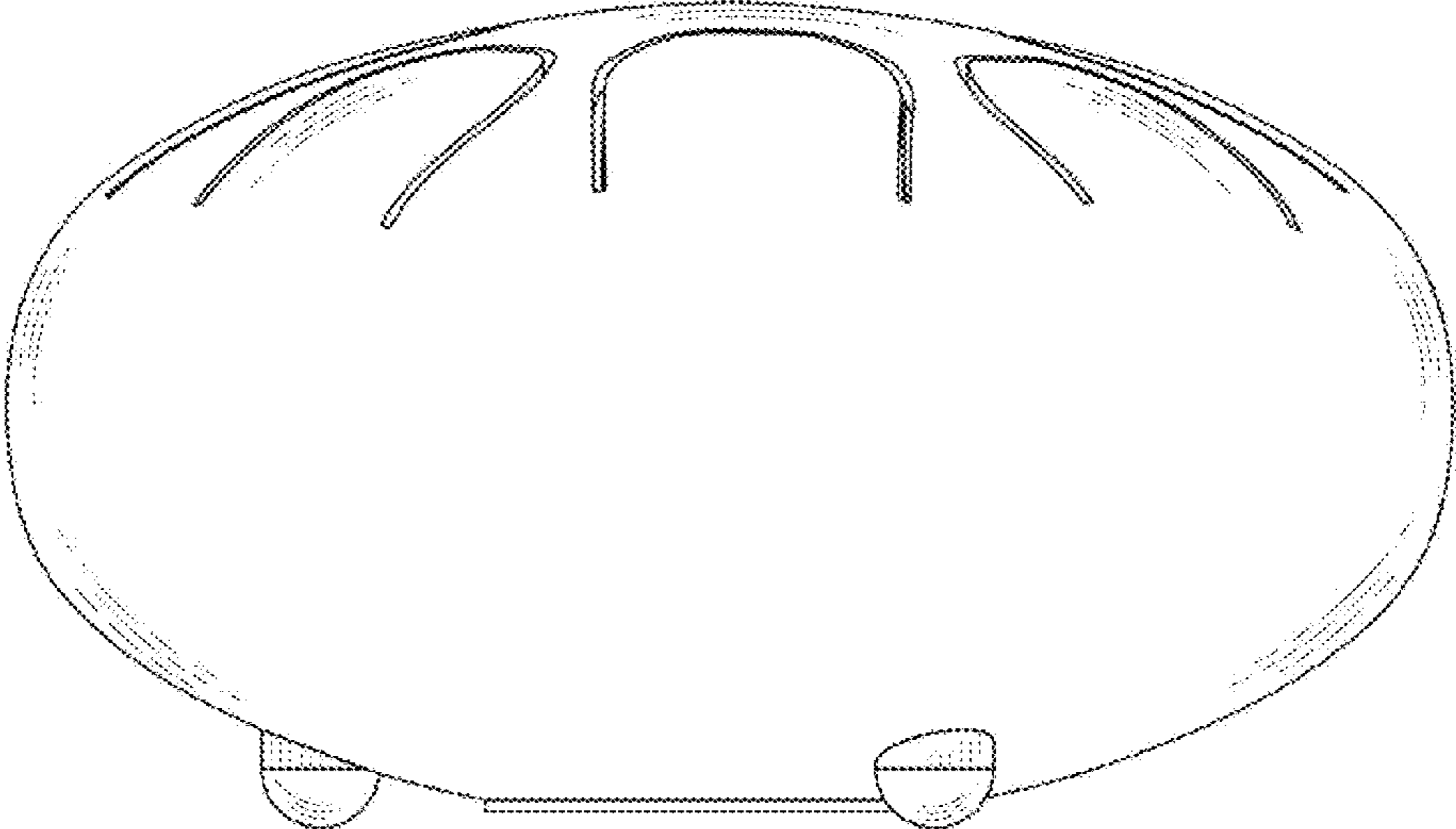


FIG.5

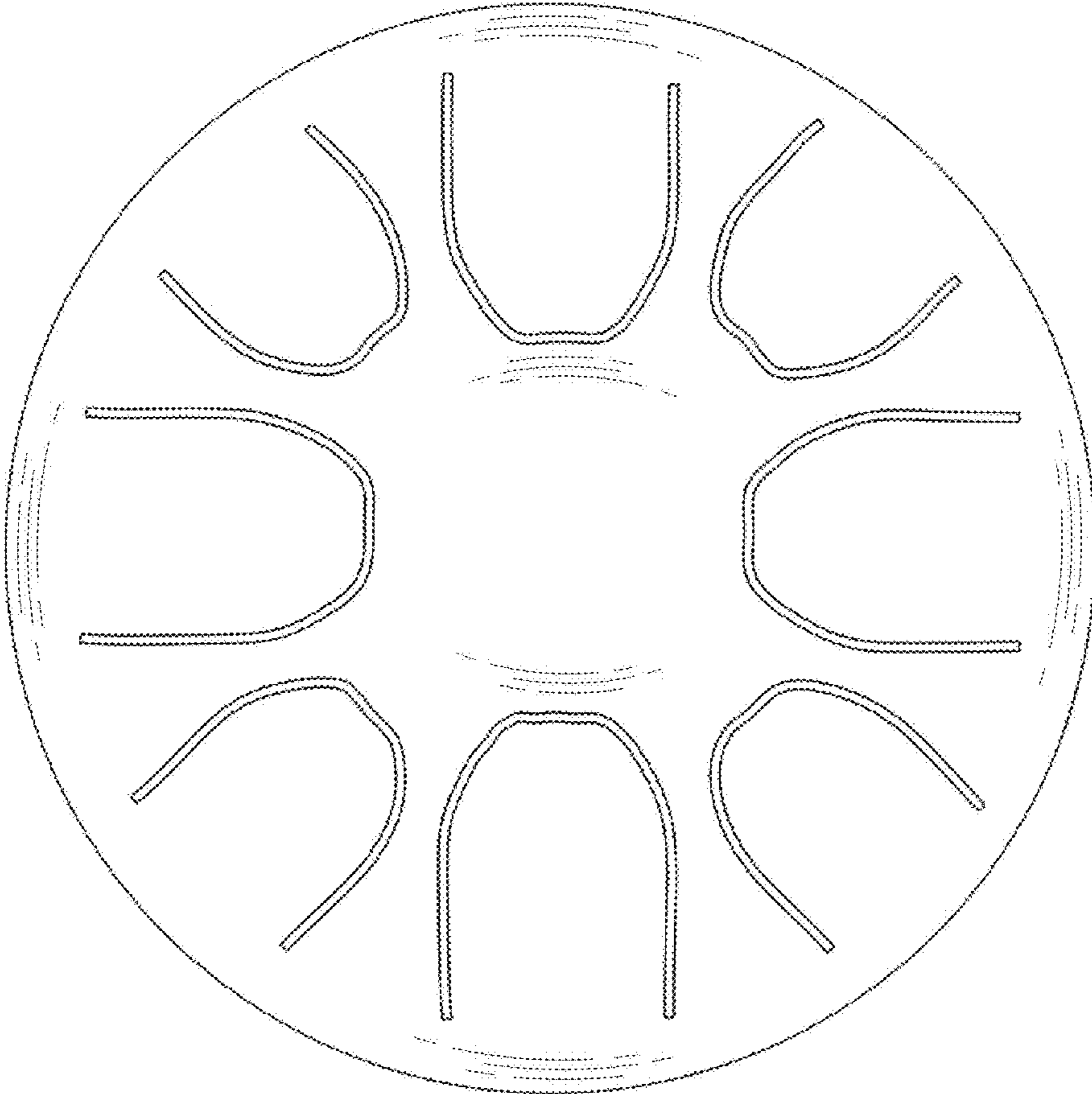


FIG.6

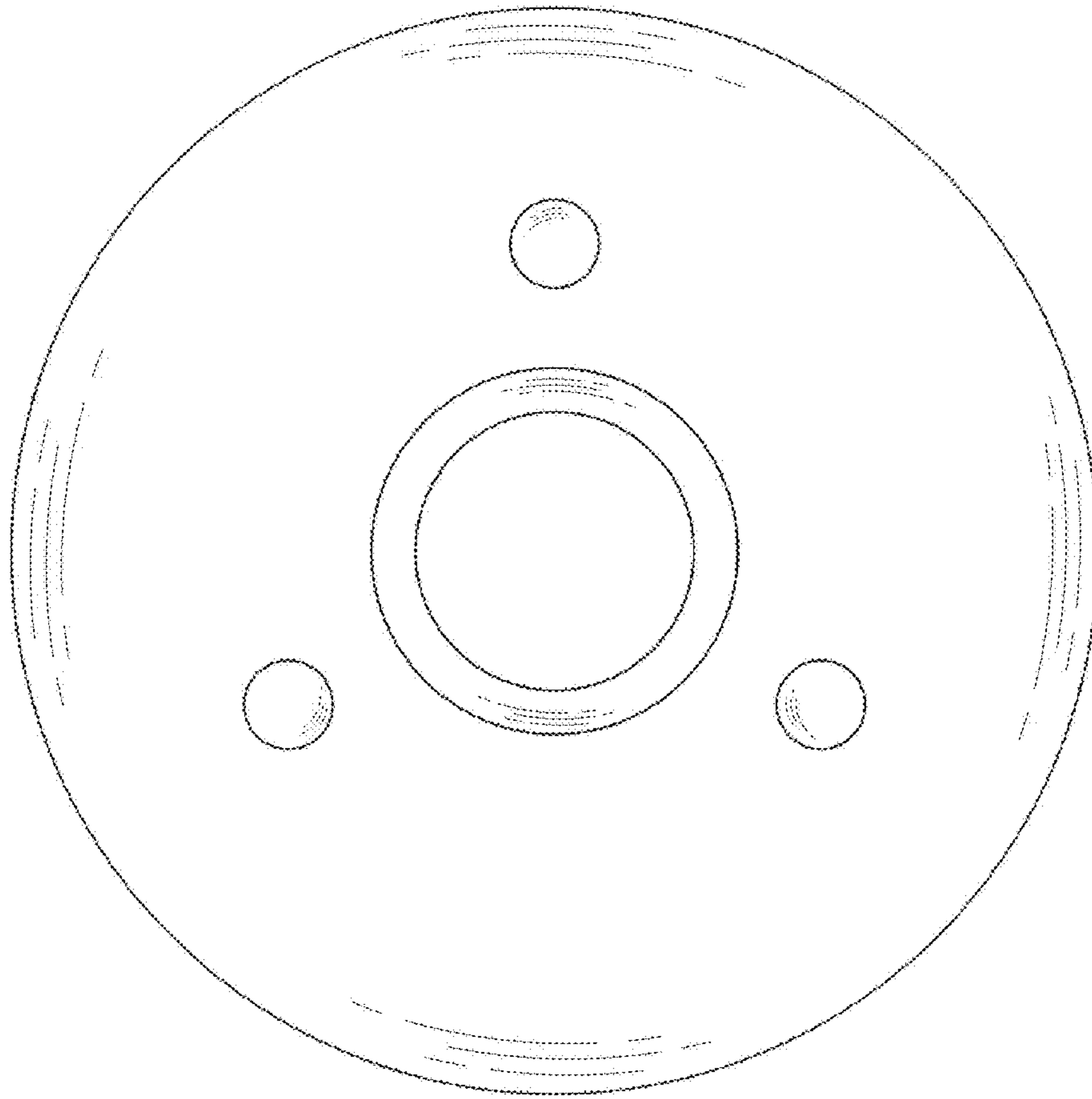


FIG. 7

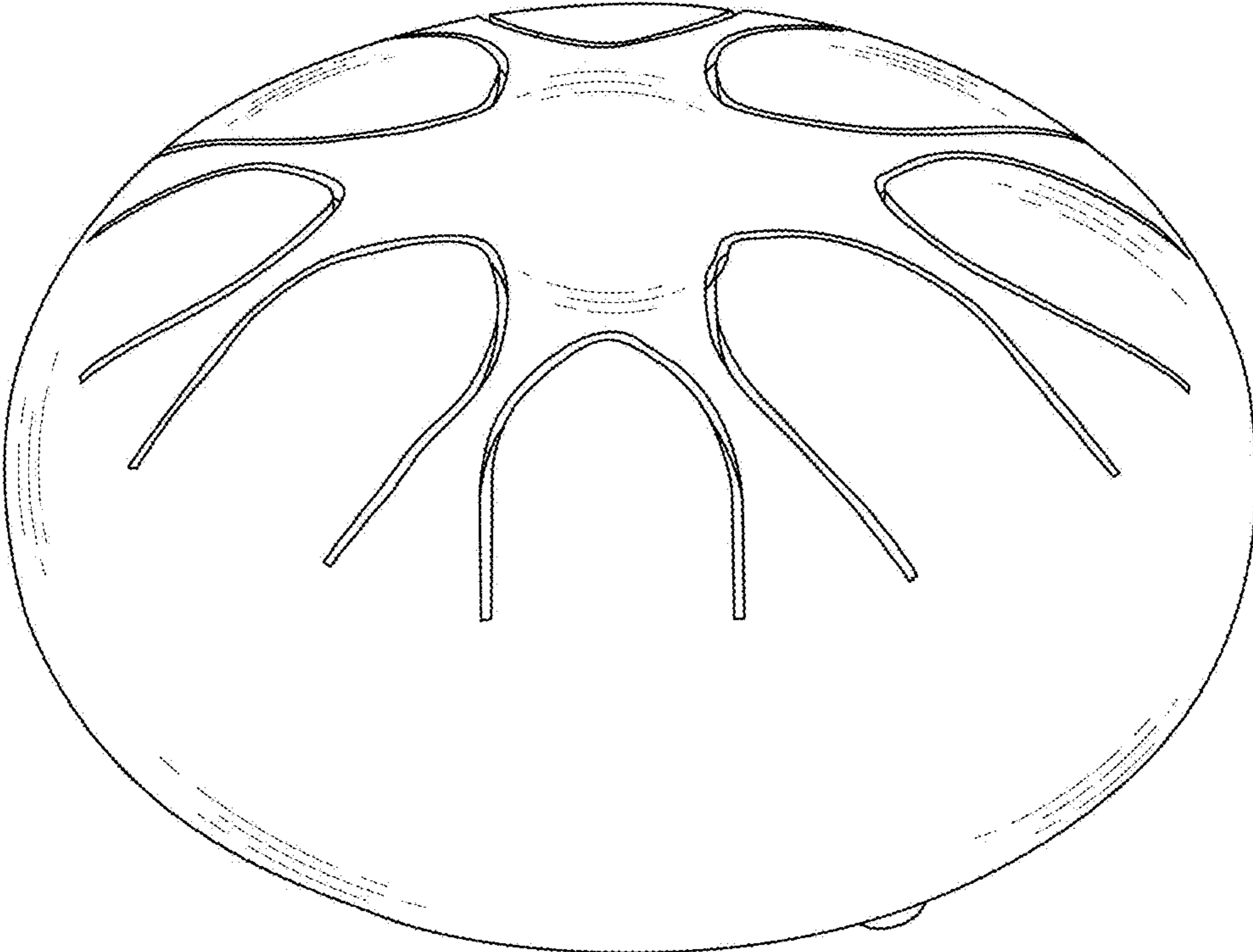


FIG. 8

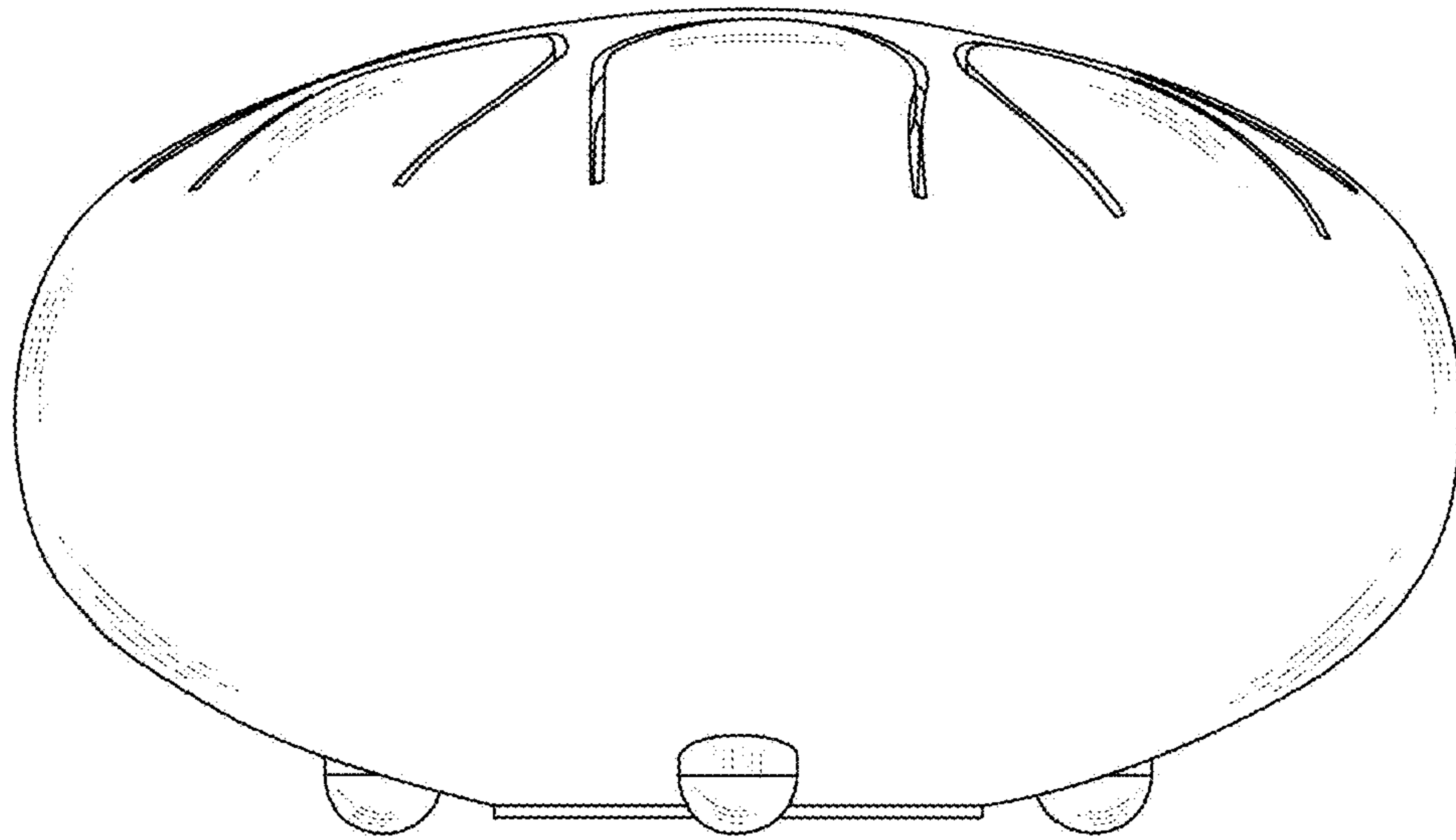


FIG. 9

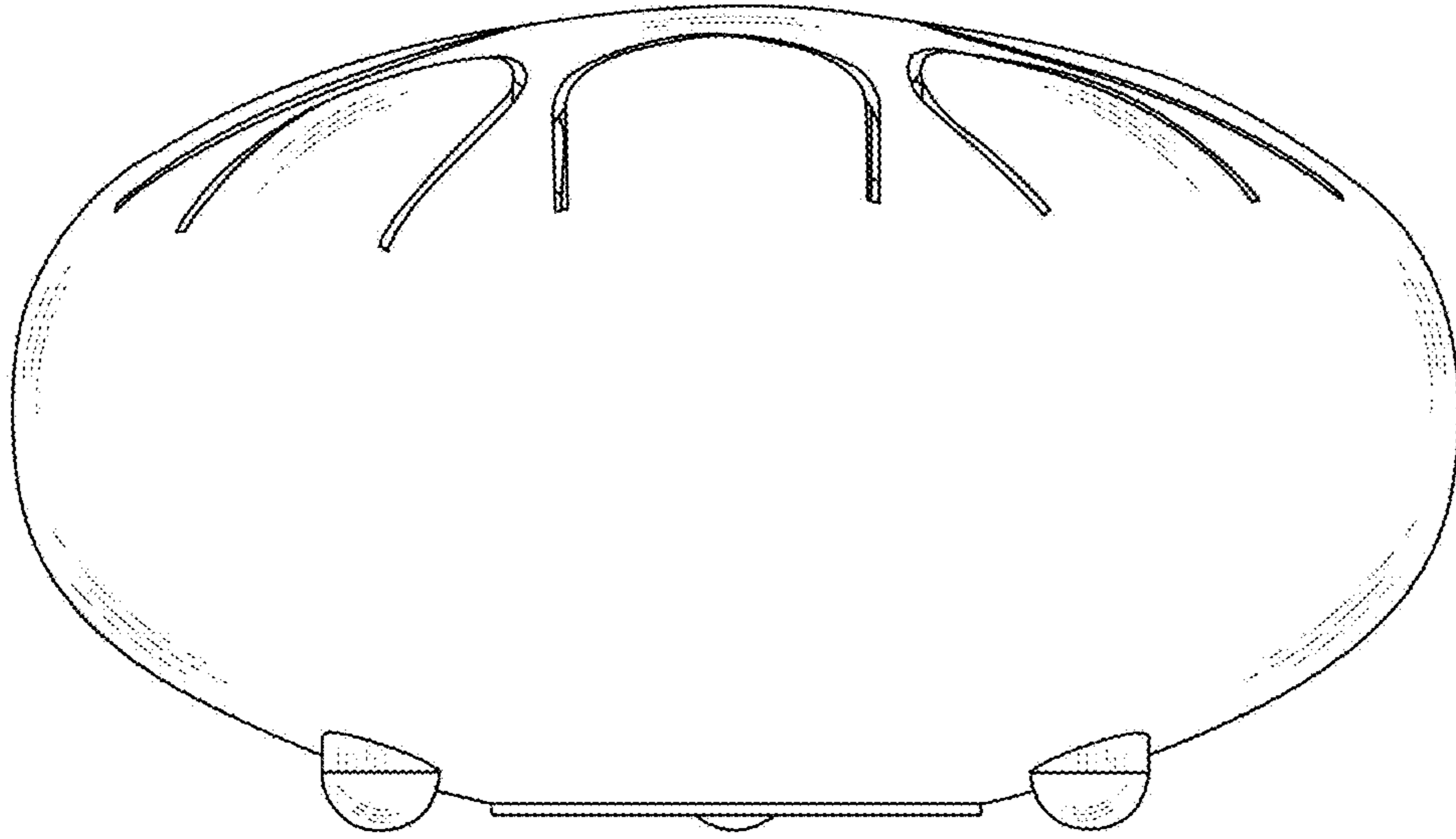


FIG. 10

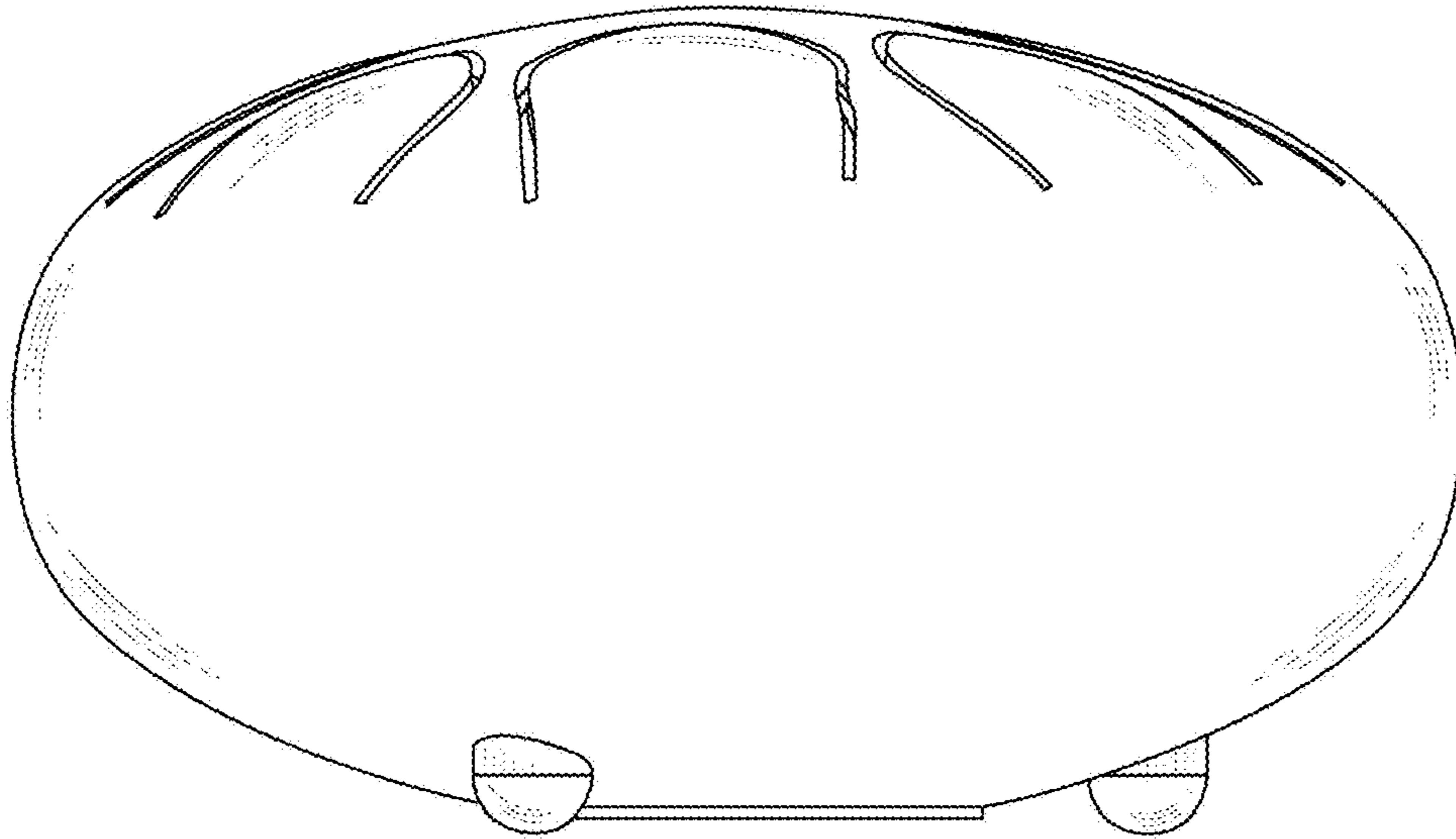


FIG. 11

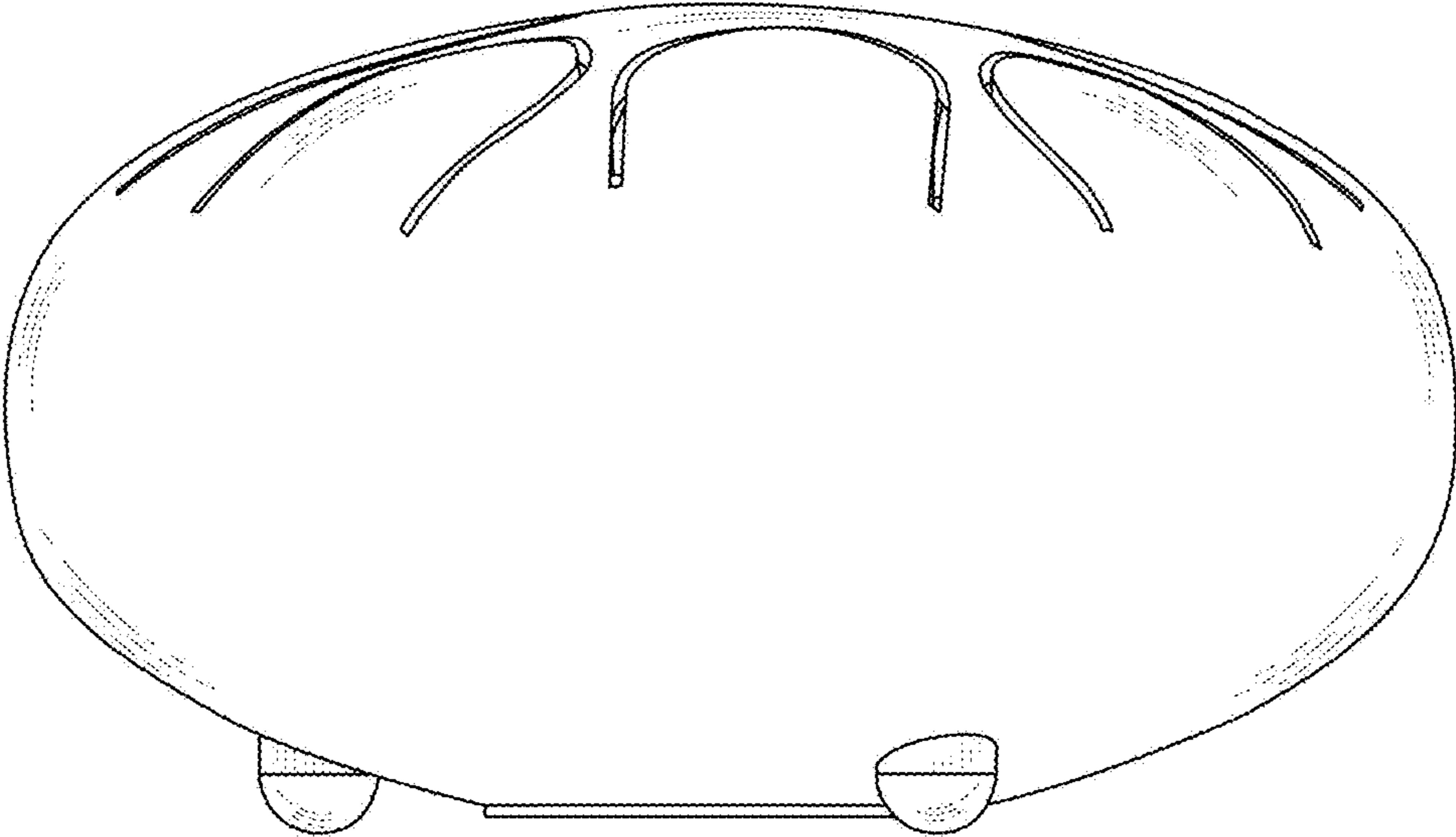


FIG. 12

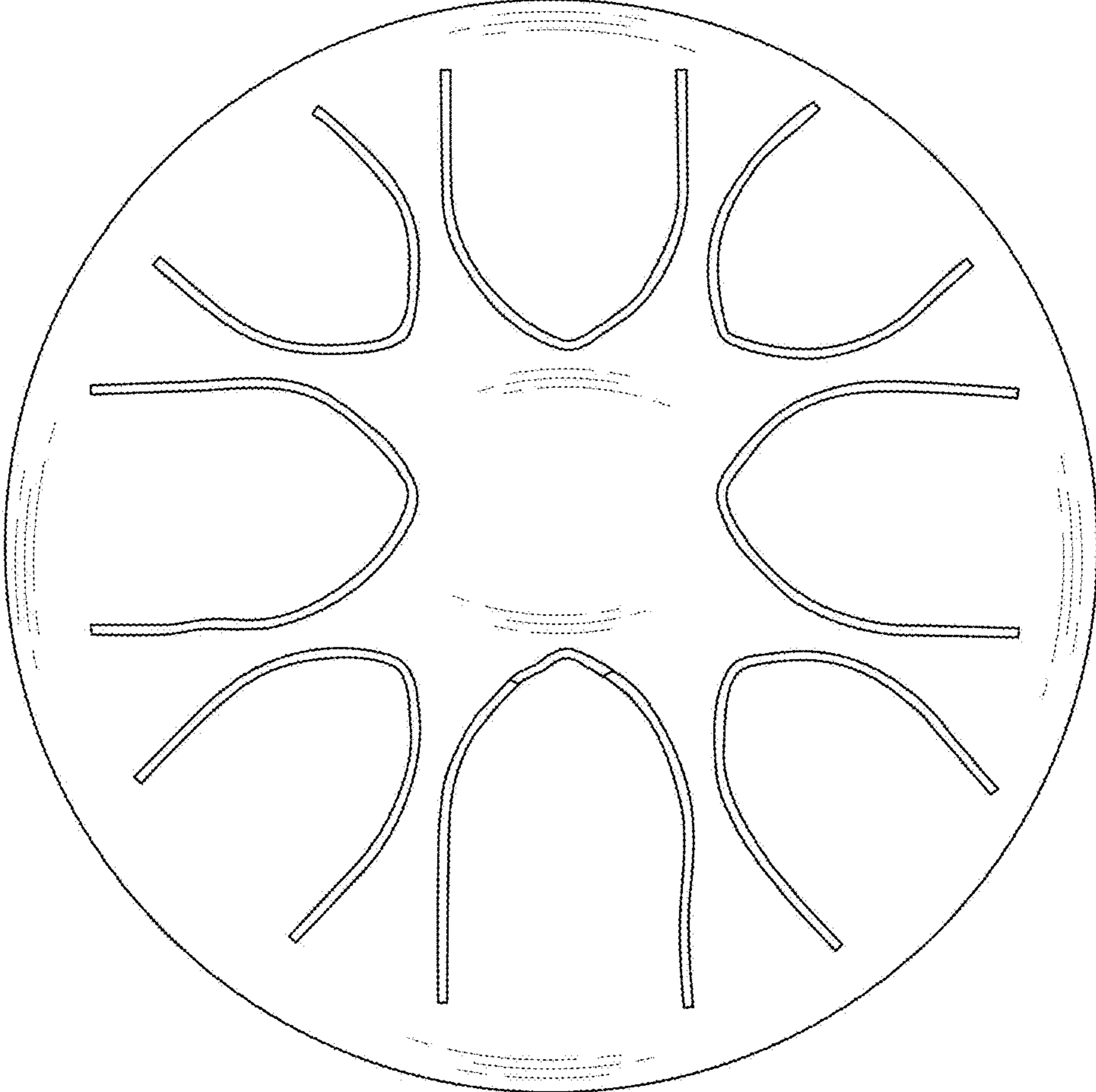


FIG. 13

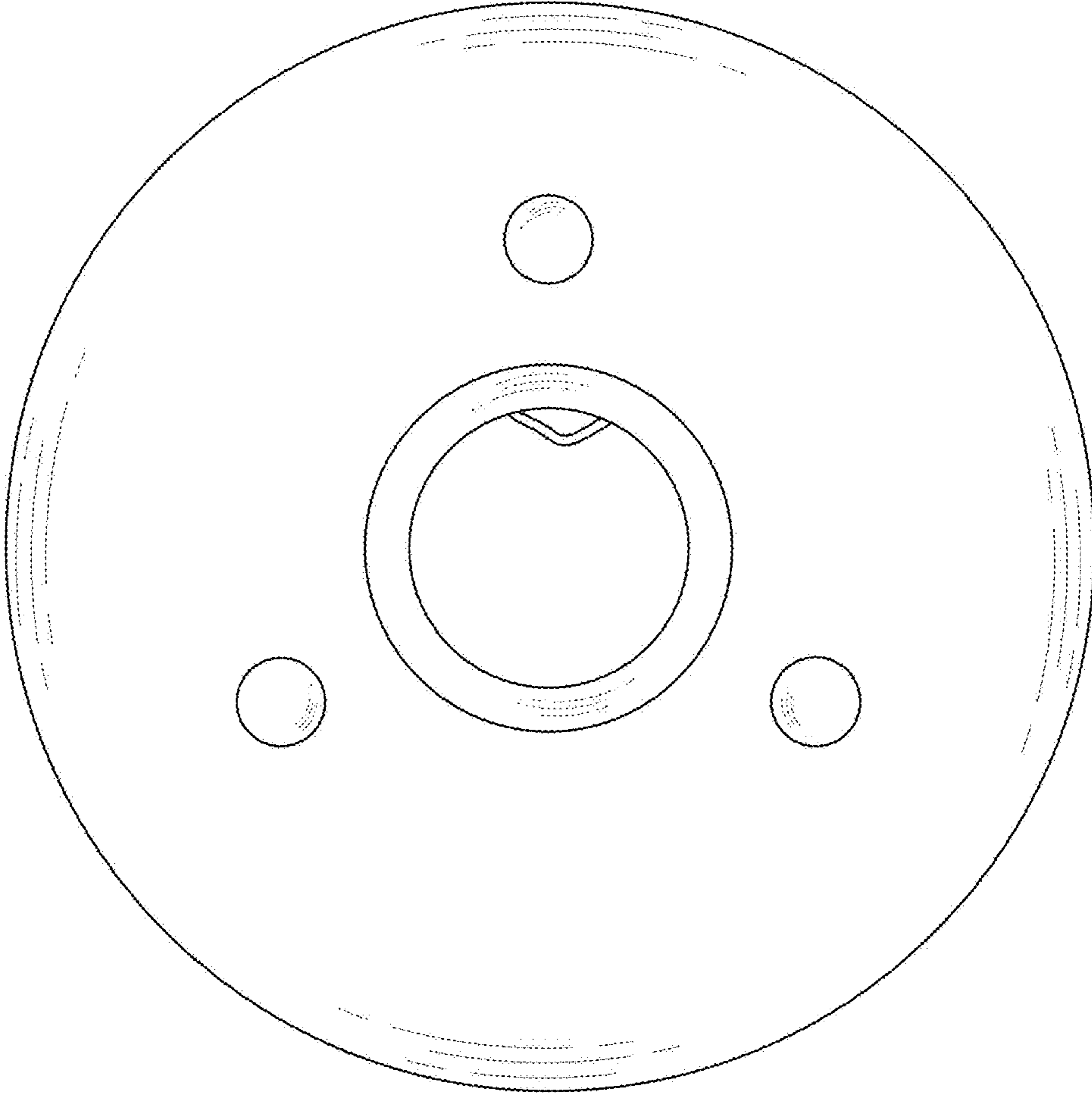


FIG. 14