



US00D976306S

(12) **United States Design Patent**
Liu

(10) **Patent No.:** **US D976,306 S**
(45) **Date of Patent:** **** Jan. 24, 2023**

- (54) **EYE MASK**
- (71) Applicant: **Shenzhen Xingran Technology Co., Ltd., Shenzhen (CN)**
- (72) Inventor: **Guilian Liu, Shenzhen (CN)**
- (73) Assignee: **Shenzhen Xingran Technology Co., Ltd., Shenzhen (CN)**
- (**) Term: **15 Years**
- (21) Appl. No.: **29/824,483**
- (22) Filed: **Jan. 25, 2022**
- (51) **LOC (14) Cl.** **16-06**
- (52) **U.S. Cl.**
USPC **D16/301**
- (58) **Field of Classification Search**
USPC D16/300, 301, 303, 311, 312; D24/206
CPC A61F 9/04; A61F 9/02; A61H 2205/024;
A63B 33/002; A63B 33/004; A63B 33/006; A63B 33/00; A63B 69/18
See application file for complete search history.

- D957,511 S * 7/2022 Liu D2/875
- D957,512 S * 7/2022 Liu D2/875
- D958,233 S * 7/2022 Cheng D16/301
- D963,031 S * 9/2022 Liu D16/301

OTHER PUBLICATIONS

Chicmore Eye Sleeping Mask, posted at amazon.com, posting date Jun. 23, 2018, [online], [site visited Nov. 22, 2022]. Available from Internet, URL: <https://www.amazon.com/Sleeping-Patented-Comfortable-Lightweight-Blindfold/dp/B07DZBM1F1> (Year: 2018).*

Hogance Sleep Eye Mask, posted at amazon.com, posting date Jun. 10, 2022, [online], [site visited Nov. 22, 2022]. Available from Internet, URL: <https://www.amazon.com/Contoured-Extension-Blockout-Blindfold-Adjustable/dp/B0B3RJ7XX8> (Year: 2022).*

OnaEz Sleep Mask, posted at amazon.com, posting date Oct. 28, 2021, [online], [site visited Nov. 22, 2022]. Available from Internet, URL: <https://www.amazon.com/onaEz-Adjustment-Adjustable-Breathable-Blindfold/dp/B09DSHXD6J> (Year: 2021).*

* cited by examiner

Primary Examiner — Maria J. Edwards
(74) *Attorney, Agent, or Firm* — Georgi Korobanov

(57) **CLAIM**

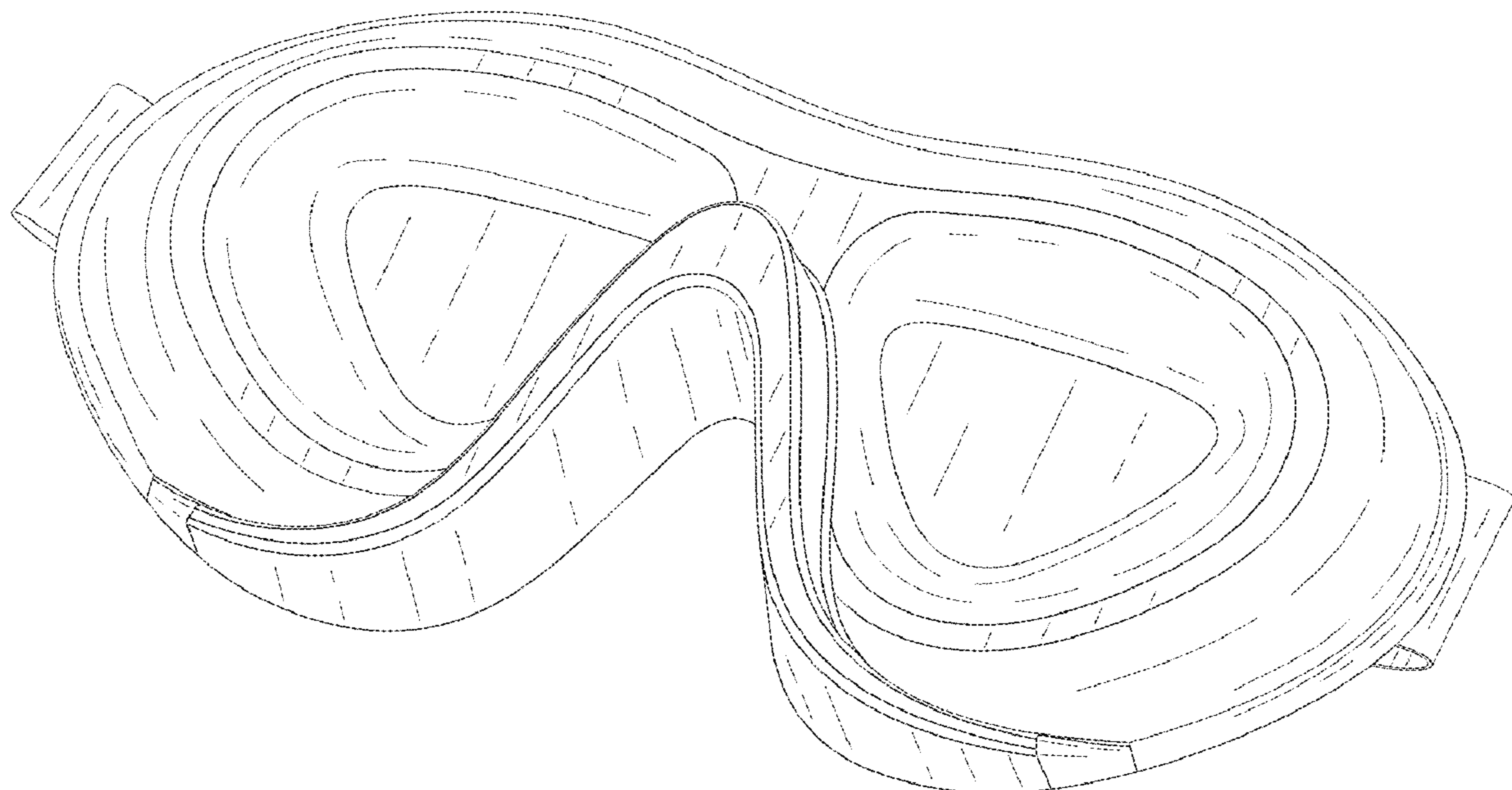
The ornamental design for an eye mask, as shown and described.

DESCRIPTION

FIG. 1 is a perspective view of an eye mask, showing my new design;
FIG. 2 is another perspective view thereof;
FIG. 3 is a front view thereof;
FIG. 4 is a rear view thereof;
FIG. 5 is a left side view thereof;
FIG. 6 is a right side view thereof;
FIG. 7 is a top plan view thereof; and,
FIG. 8 is a bottom plan view thereof.

1 Claim, 8 Drawing Sheets

- (56) **References Cited**
U.S. PATENT DOCUMENTS
- 2,191,937 A * 2/1940 Low A61F 9/04
D16/312
- D465,234 S 11/2002 Gordon
- D694,309 S 11/2013 Shelledy
- D726,244 S * 4/2015 Defranco D16/301
- D867,436 S * 11/2019 Lian D16/301
- D887,484 S * 6/2020 Guo A61F 9/04
D16/301
- D918,991 S * 5/2021 Du D16/301
- D939,617 S * 12/2021 Liu D16/301
- D945,000 S * 3/2022 McMahon D16/301
- D954,795 S * 6/2022 Lian D16/301



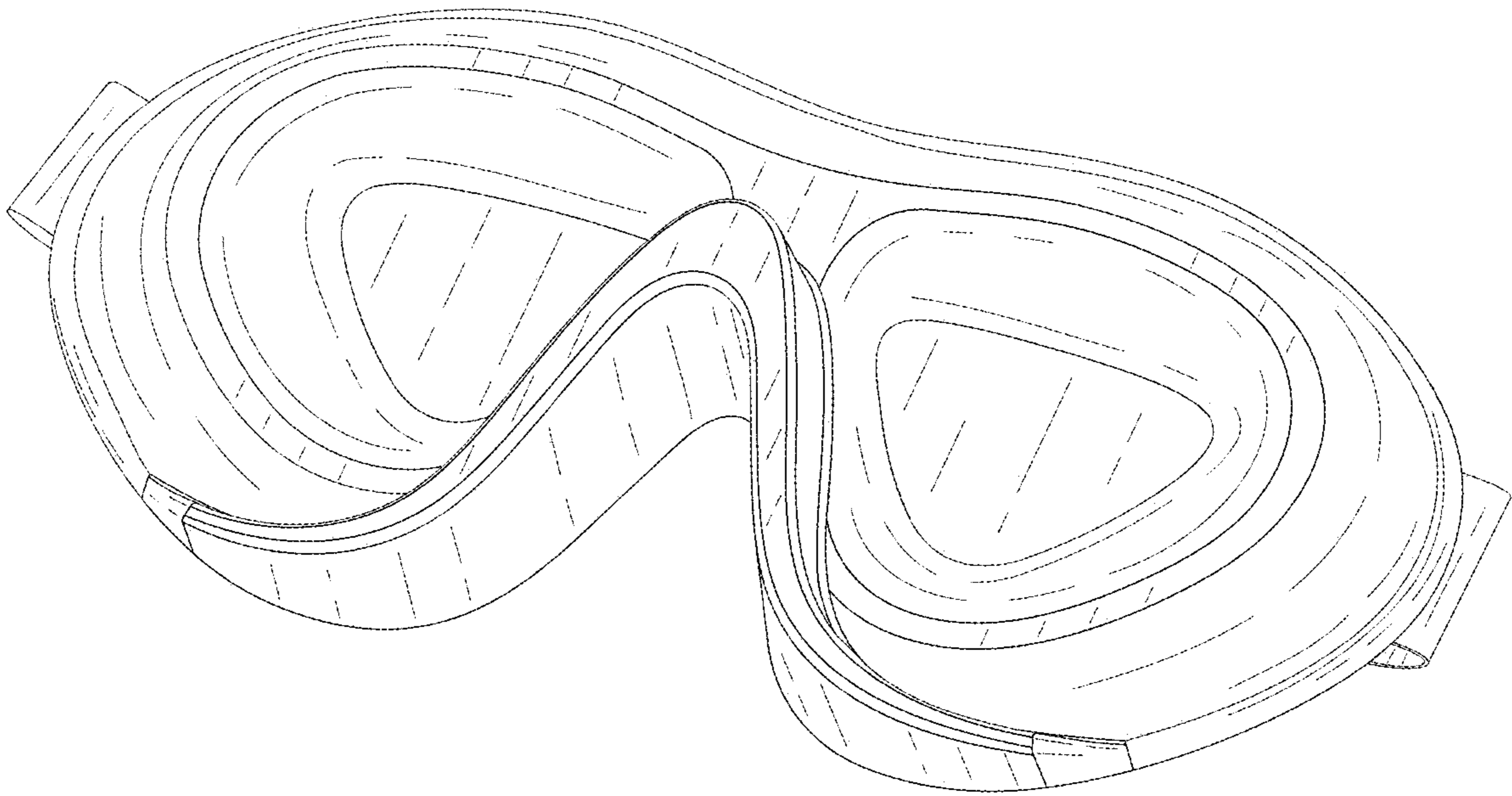


FIG.1

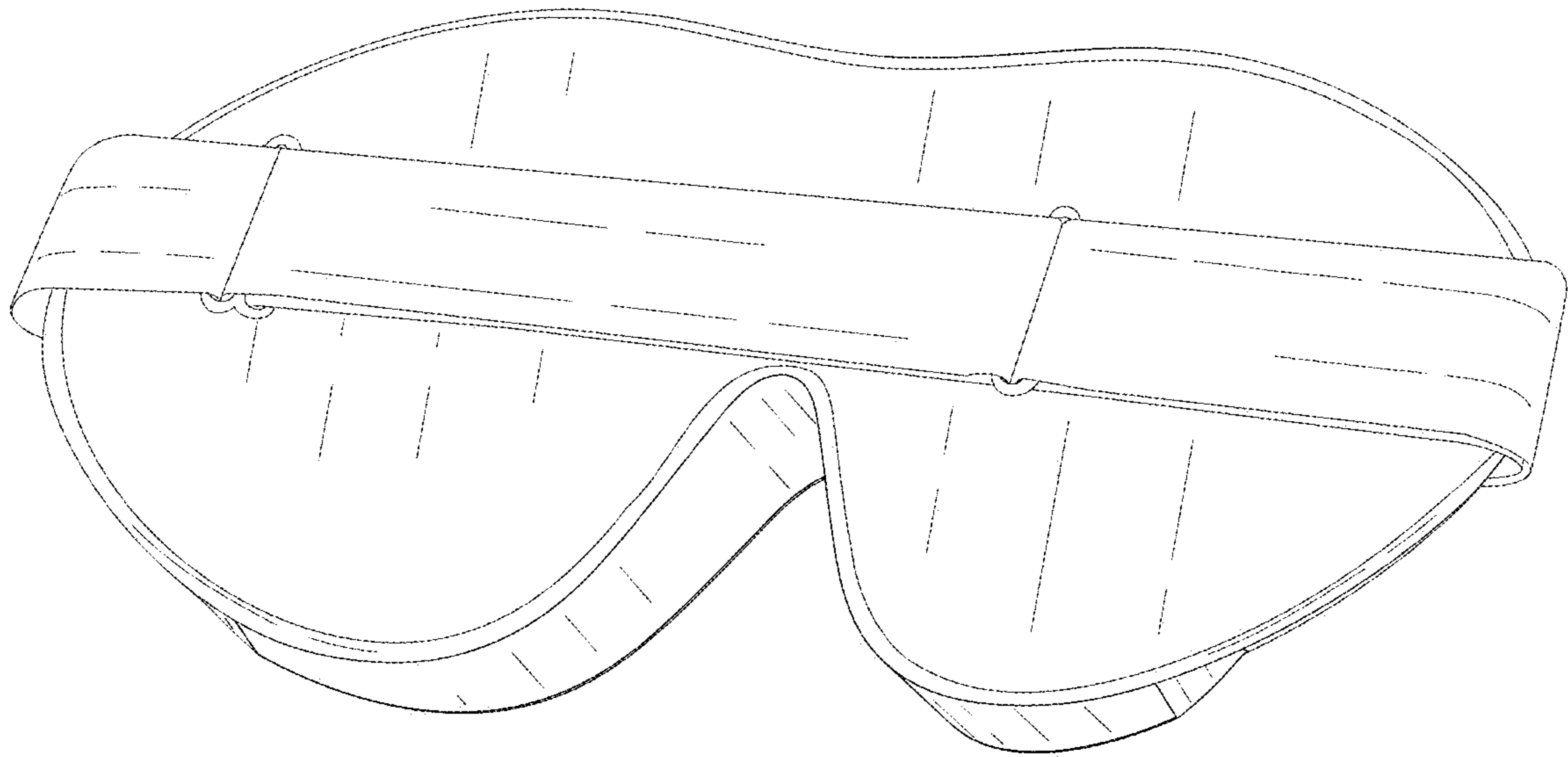


FIG.2

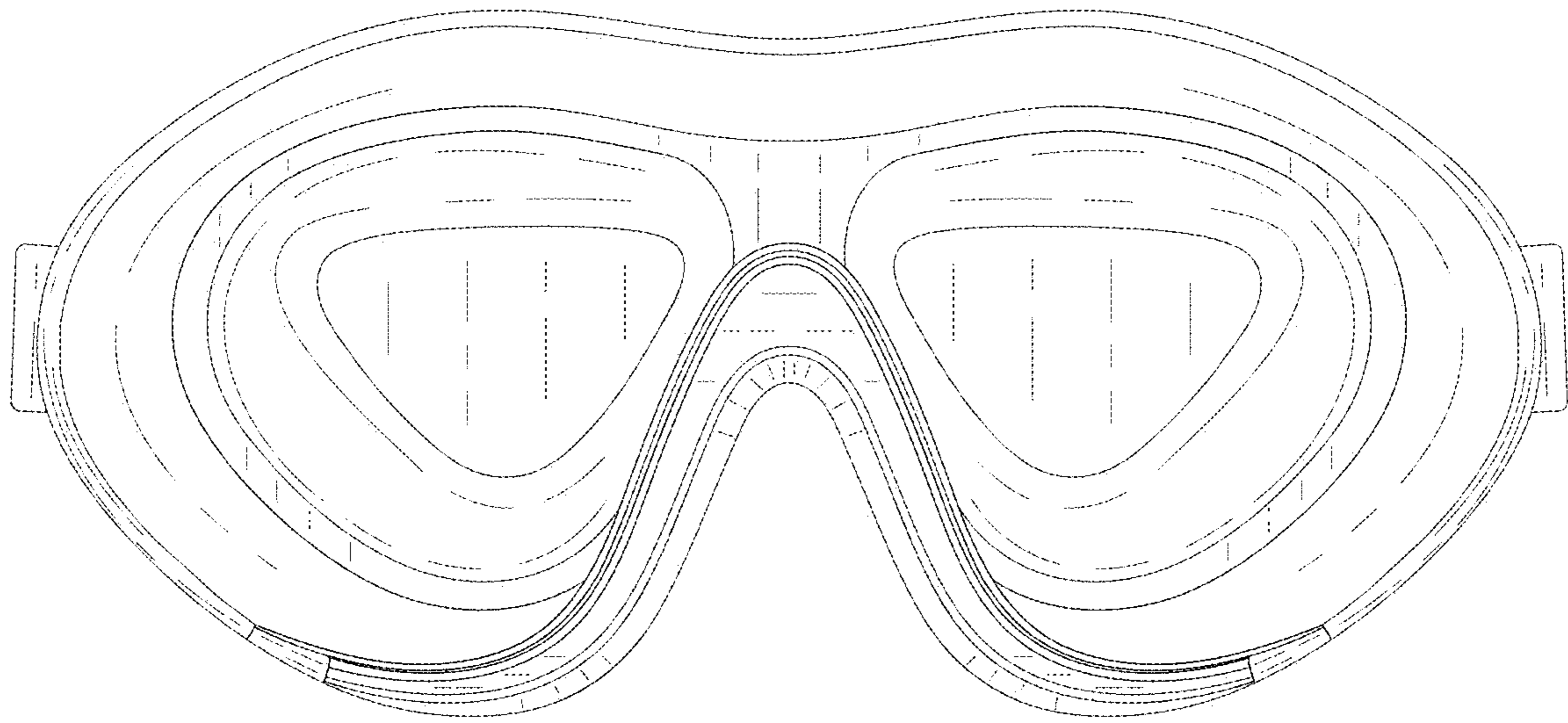


FIG.3

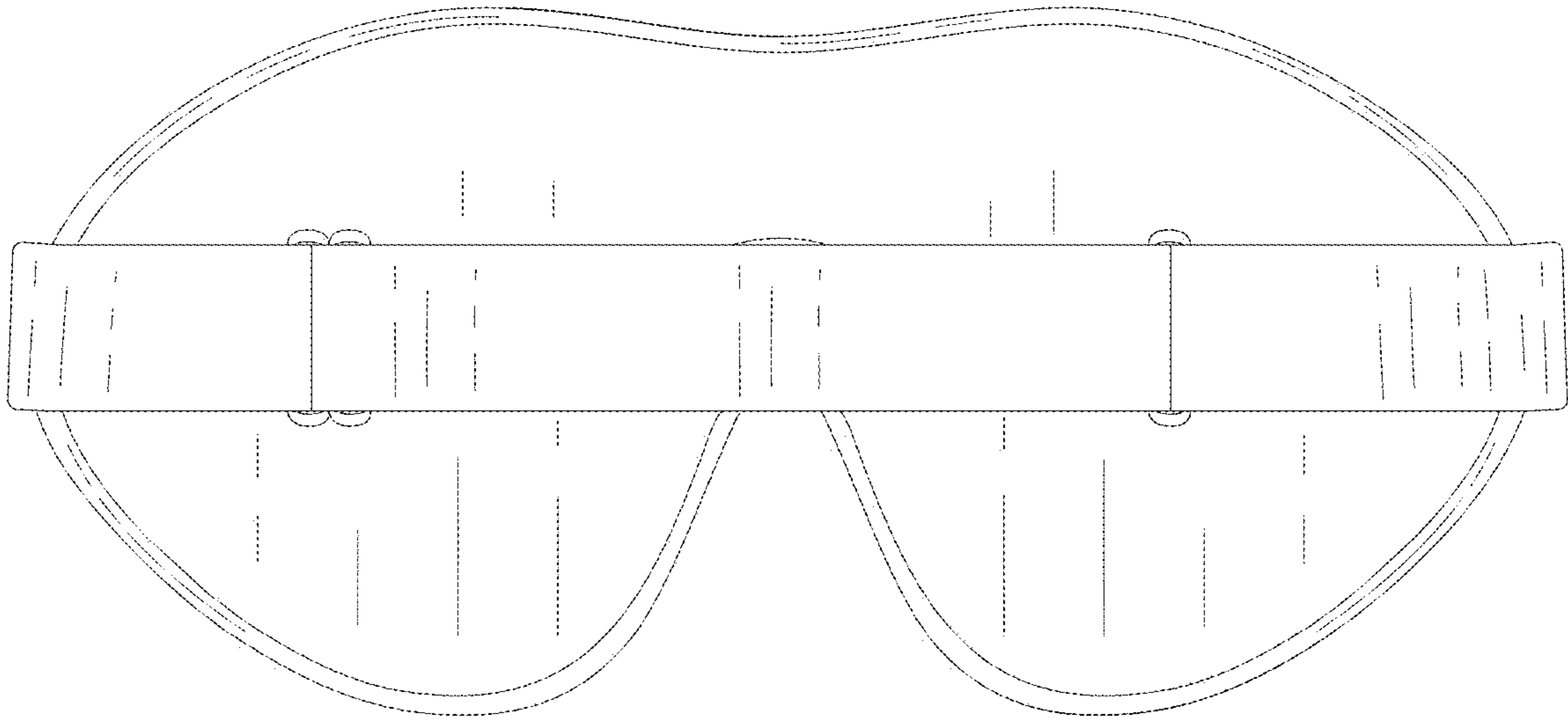


FIG.4

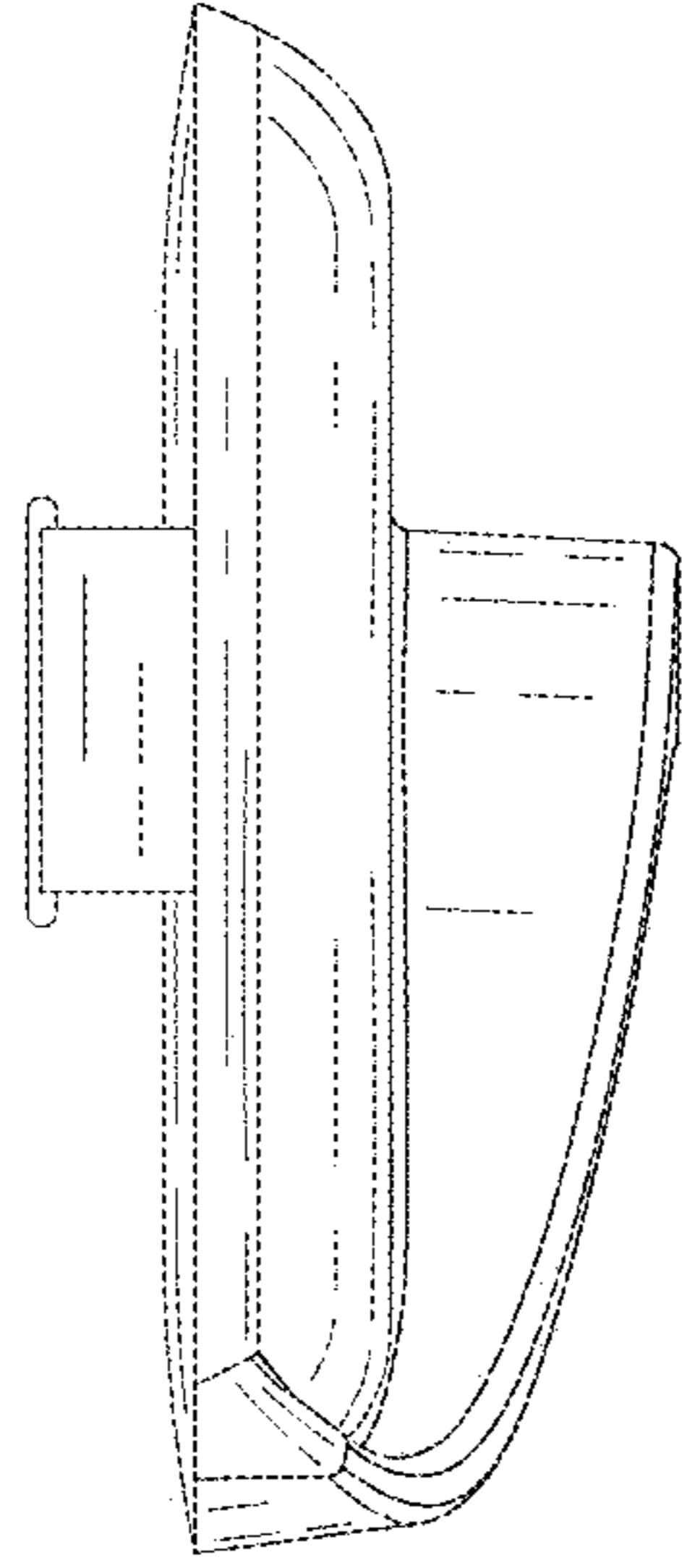


FIG.5

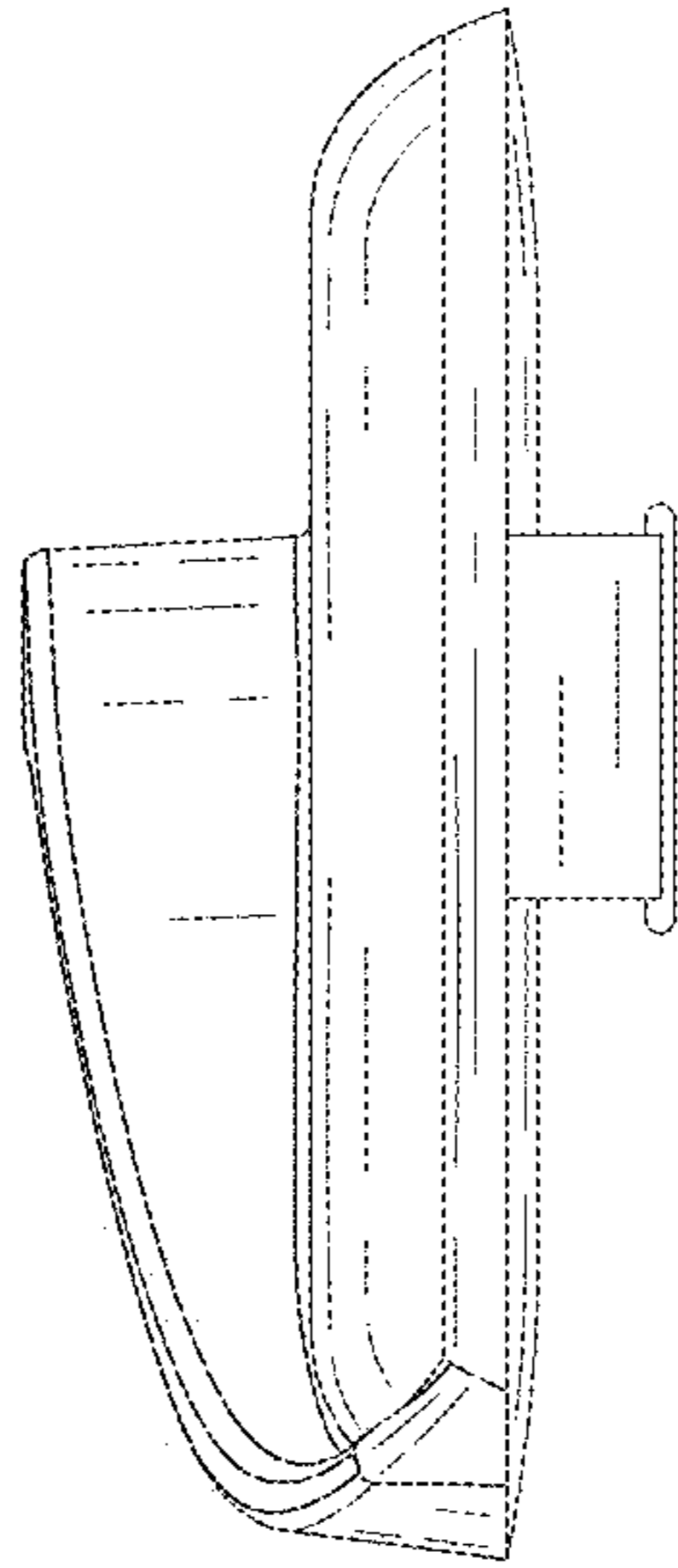


FIG.6

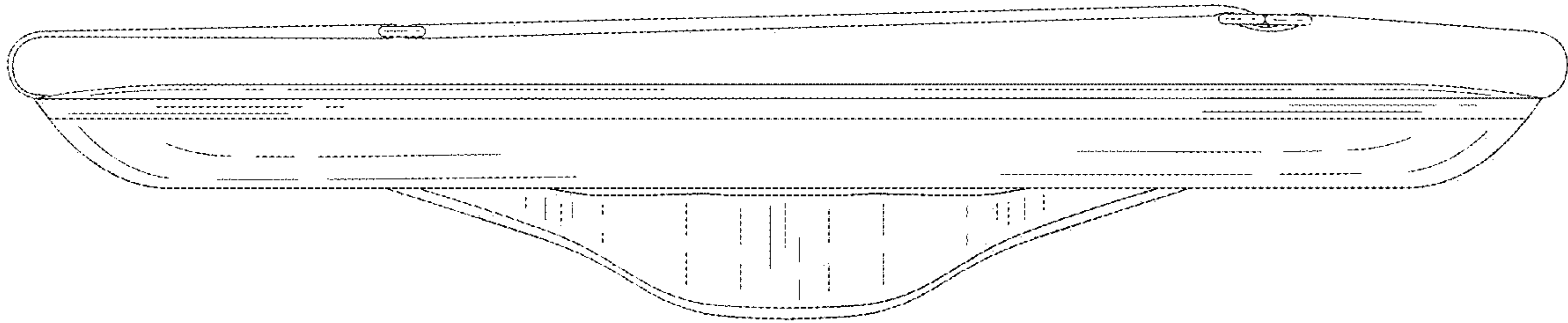


FIG.7

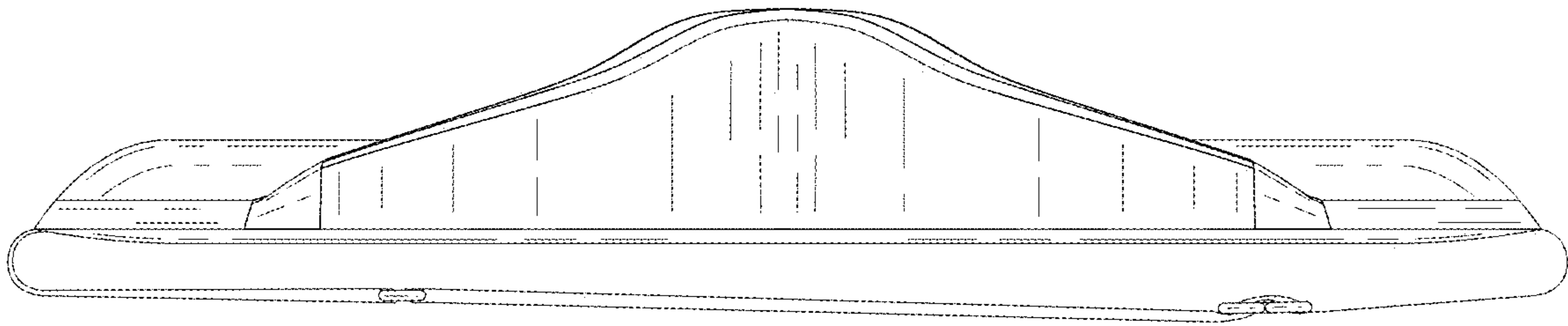


FIG.8