

US00D976305S

(12) **United States Design Patent** (10) **Patent No.:** **US D976,305 S**
Xu (45) **Date of Patent:** **** Jan. 24, 2023**

(54) **SELFIE STICK**

(71) Applicant: **SHENZHEN YUANSU CHUANGDA TECHNOLOGY CO., LTD**, Shenzhen (CN)

(72) Inventor: **Xibin Xu**, Shenzhen (CN)

(73) Assignee: **SHENZHEN YUANSU CHUANGDA TECHNOLOGY CO., LTD**, Shenzhen (CN)

(**) Term: **15 Years**

(21) Appl. No.: **29/775,271**

(22) Filed: **Mar. 22, 2021**

(30) **Foreign Application Priority Data**

Sep. 30, 2020 (CN) 202030594071.5

(51) **LOC (14) Cl.** **16-05**

(52) **U.S. Cl.**
USPC **D16/244**

(58) **Field of Classification Search**
USPC D8/354, 355, 363, 373, 382, 383, 394;
D14/224; D16/219, 237-250
CPC F16M 11/14; F16M 11/16; F16M 11/242;
F16M 11/32; F16M 11/38; G03B 17/54;
G03B 17/561; G02B 7/00-002
See application file for complete search history.

(56) **References Cited**

U.S. PATENT DOCUMENTS

D532,436 S * 11/2006 Kruse D16/244
D607,037 S * 12/2009 Lee D16/244
D718,365 S * 11/2014 Kim D16/244
D739,456 S * 9/2015 Poli D16/244
9,383,632 B2 * 7/2016 Speggorin F16M 13/00
D794,699 S * 8/2017 Bin-Nun D16/244
D840,465 S * 2/2019 Chun D16/244

D866,648 S * 11/2019 Marcon D16/244
D900,918 S * 11/2020 Zeng D16/244
D918,286 S * 5/2021 Lin D16/244
D920,421 S * 5/2021 Li D16/244
D922,471 S * 6/2021 Li D16/244
D944,883 S * 3/2022 Li D16/244
D955,466 S * 6/2022 Wada D16/244
2003/0234327 A1 * 12/2003 Nakatani F16M 11/242
248/168

OTHER PUBLICATIONS

SelfieShow, Amazon.com, https://www.amazon.com/Selfie-Handheld-Tripod-Detachable-Wireless/dp/B08JLV4HTQ/ref=pd_lpo_2?pd_rd_i=B086ZM44D5&th=1, Nov. 14, 2020 (Year: 2020).*

* cited by examiner

Primary Examiner — Richard Kearney
Assistant Examiner — Benjamin M Weeks

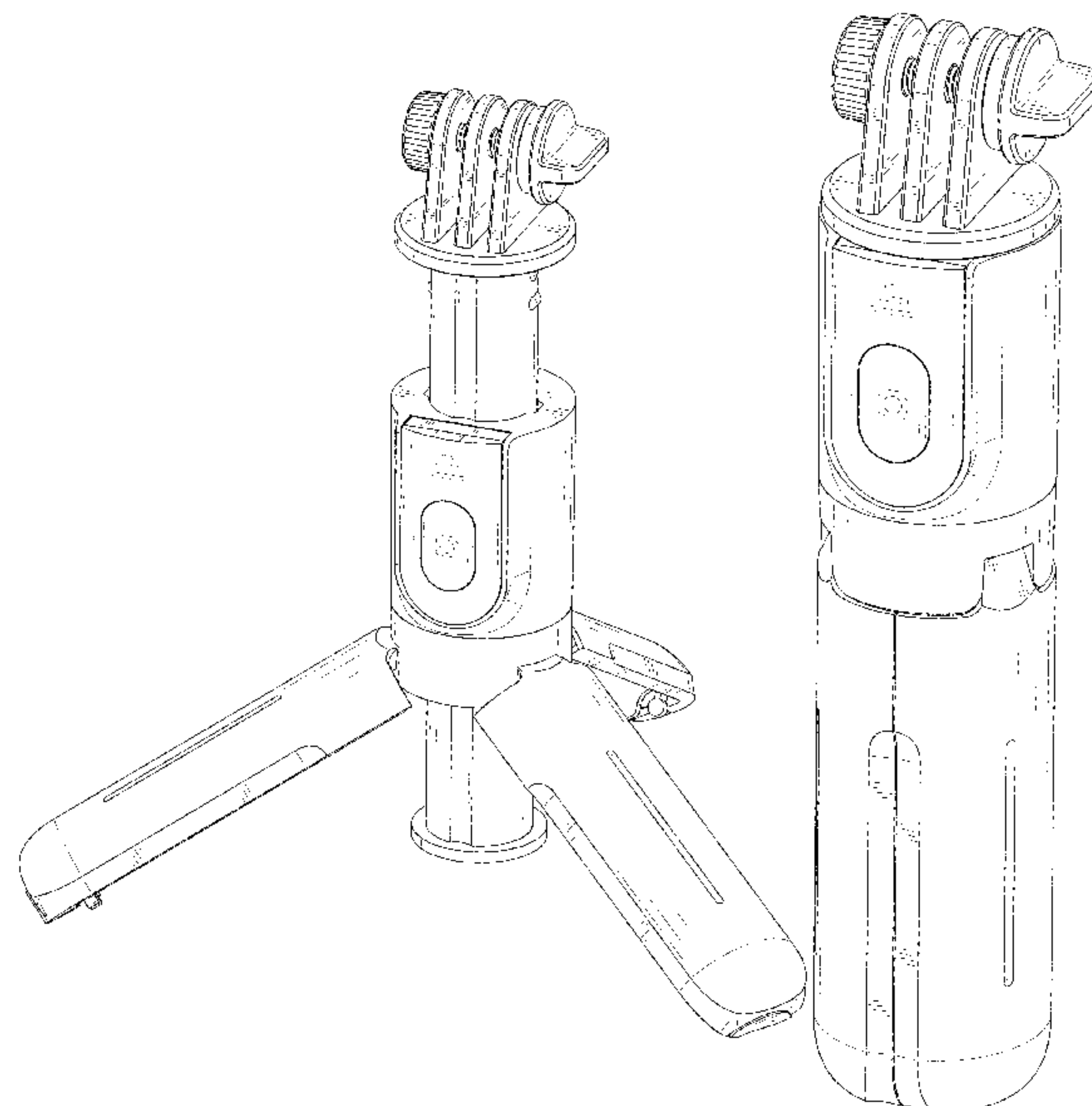
(57) **CLAIM**

The ornamental design for a selfie stick, as shown and described.

DESCRIPTION

FIG. 1 is a perspective view of a selfie stick showing my new design;
FIG. 2 is another perspective view thereof;
FIG. 3 is a front elevational view thereof;
FIG. 4 is a rear elevational view thereof;
FIG. 5 is a left side elevational view thereof;
FIG. 6 is a right side elevational view thereof;
FIG. 7 is a top plan view thereof;
FIG. 8 is a bottom plan view thereof; and,
FIG. 9 is a perspective view of the selfie stick where the selfie stick is in a folded state.
The broken lines in the drawings depict portions of the selfie stick that form no part of the claimed design.

1 Claim, 9 Drawing Sheets



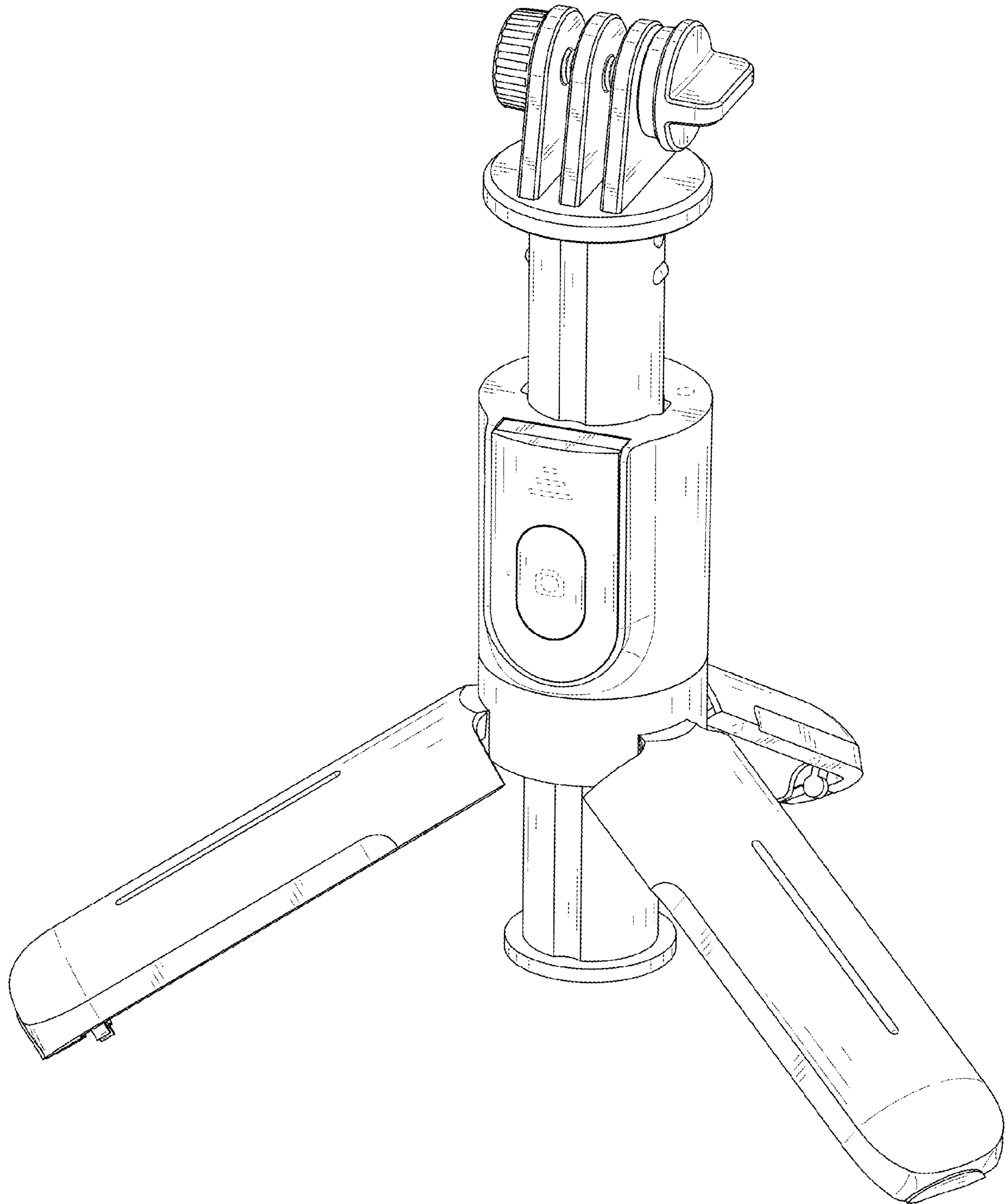


FIG. 1

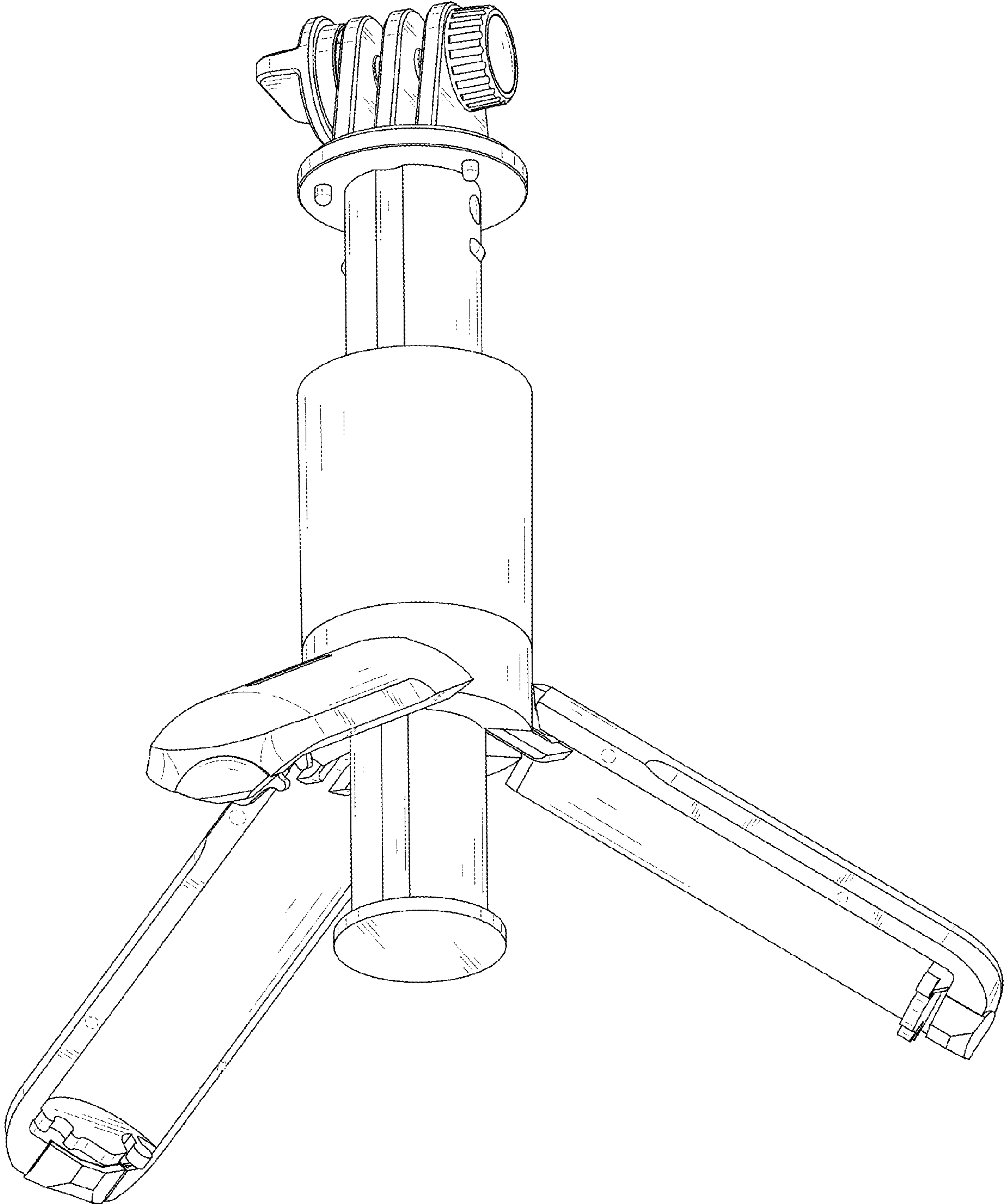


FIG. 2

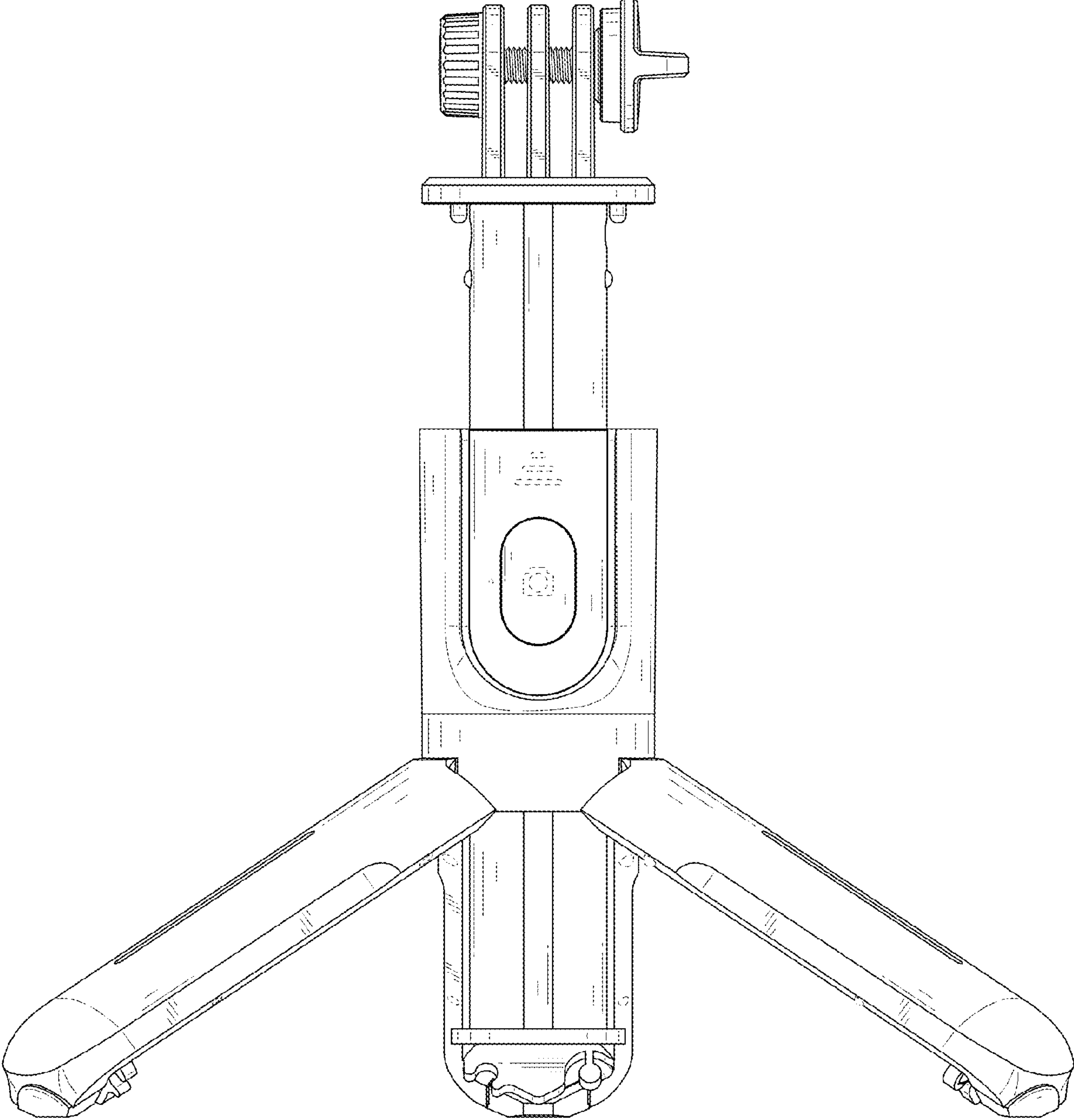


FIG. 3

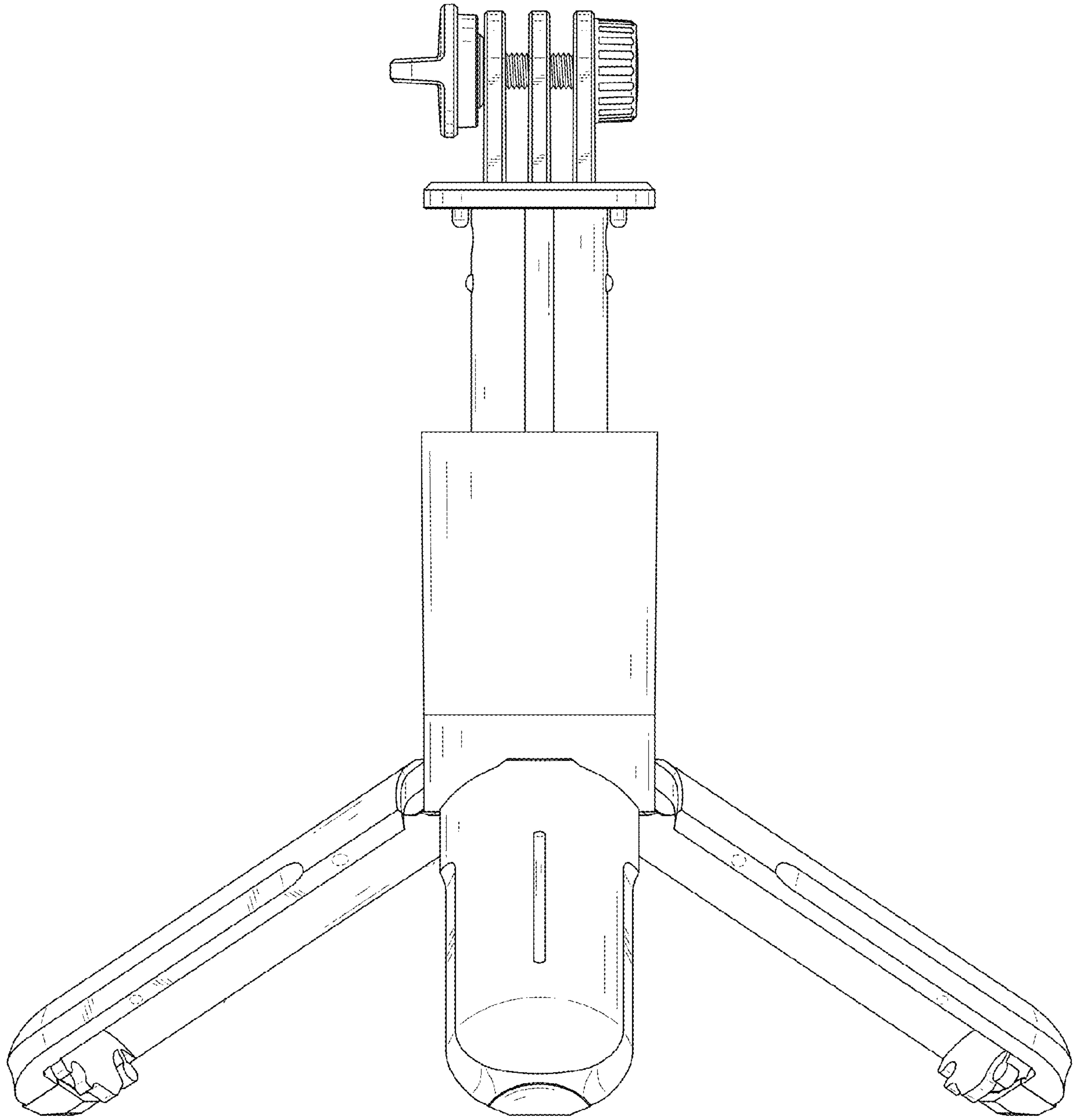


FIG. 4

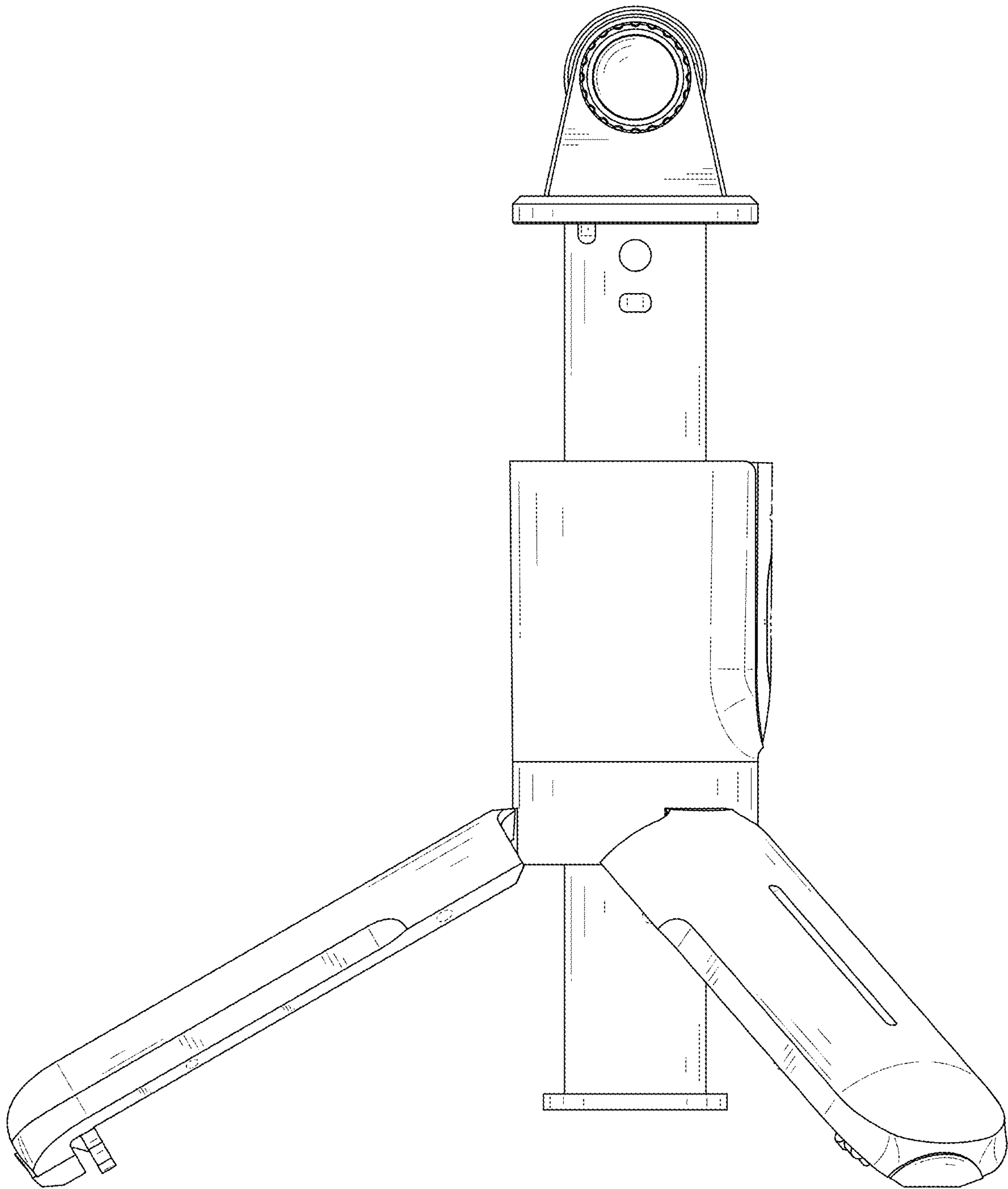


FIG. 5

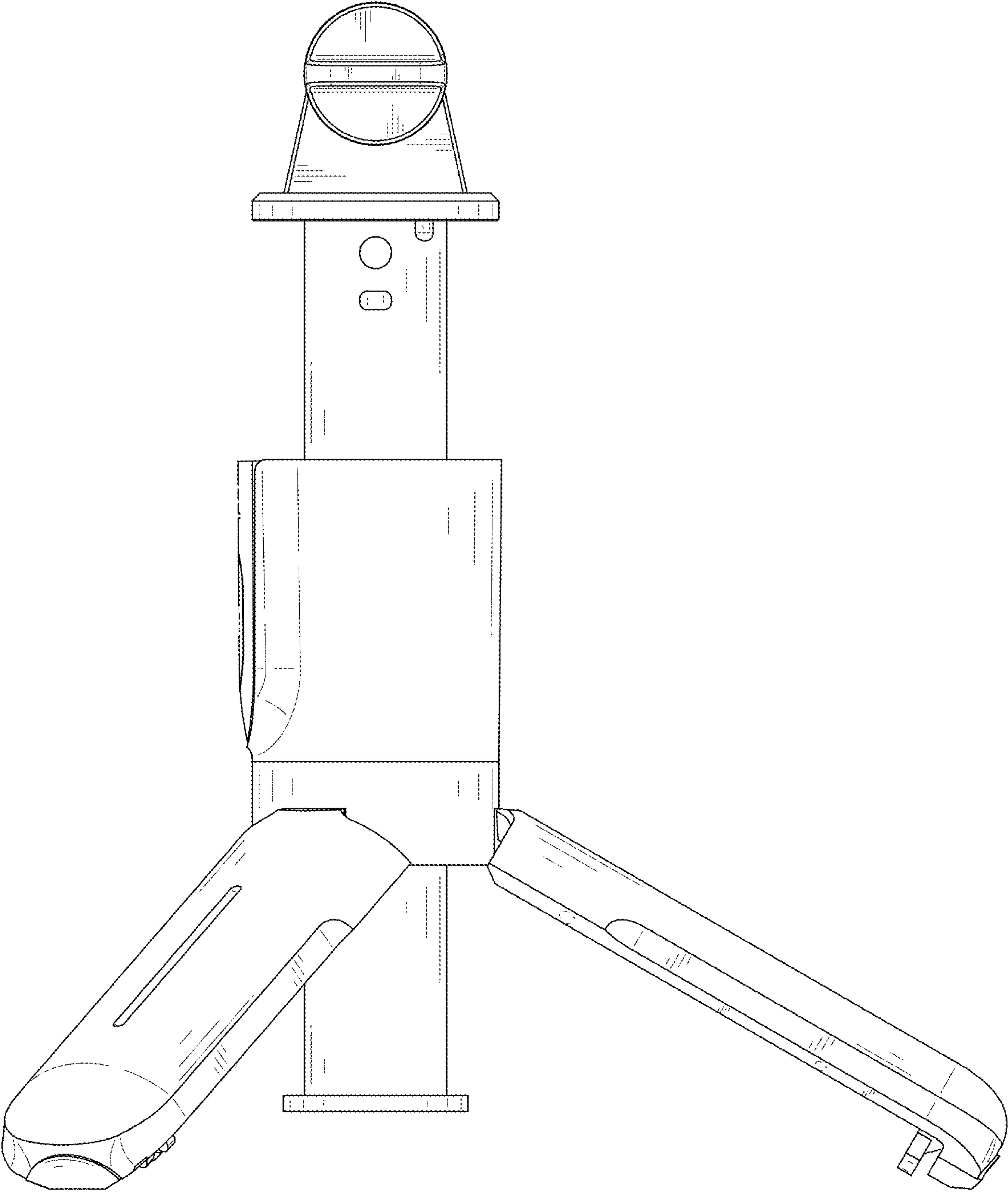


FIG. 6

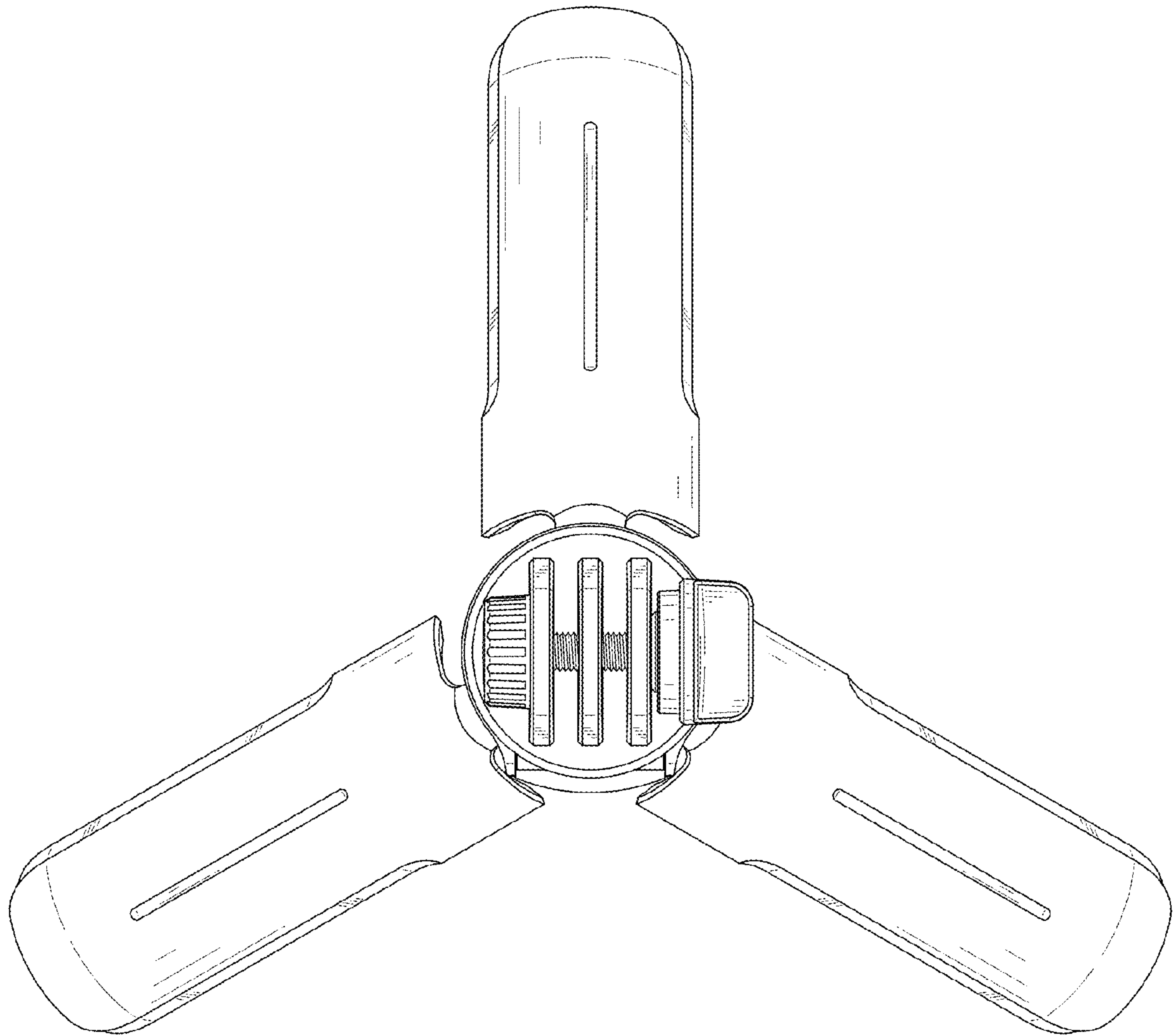


FIG. 7

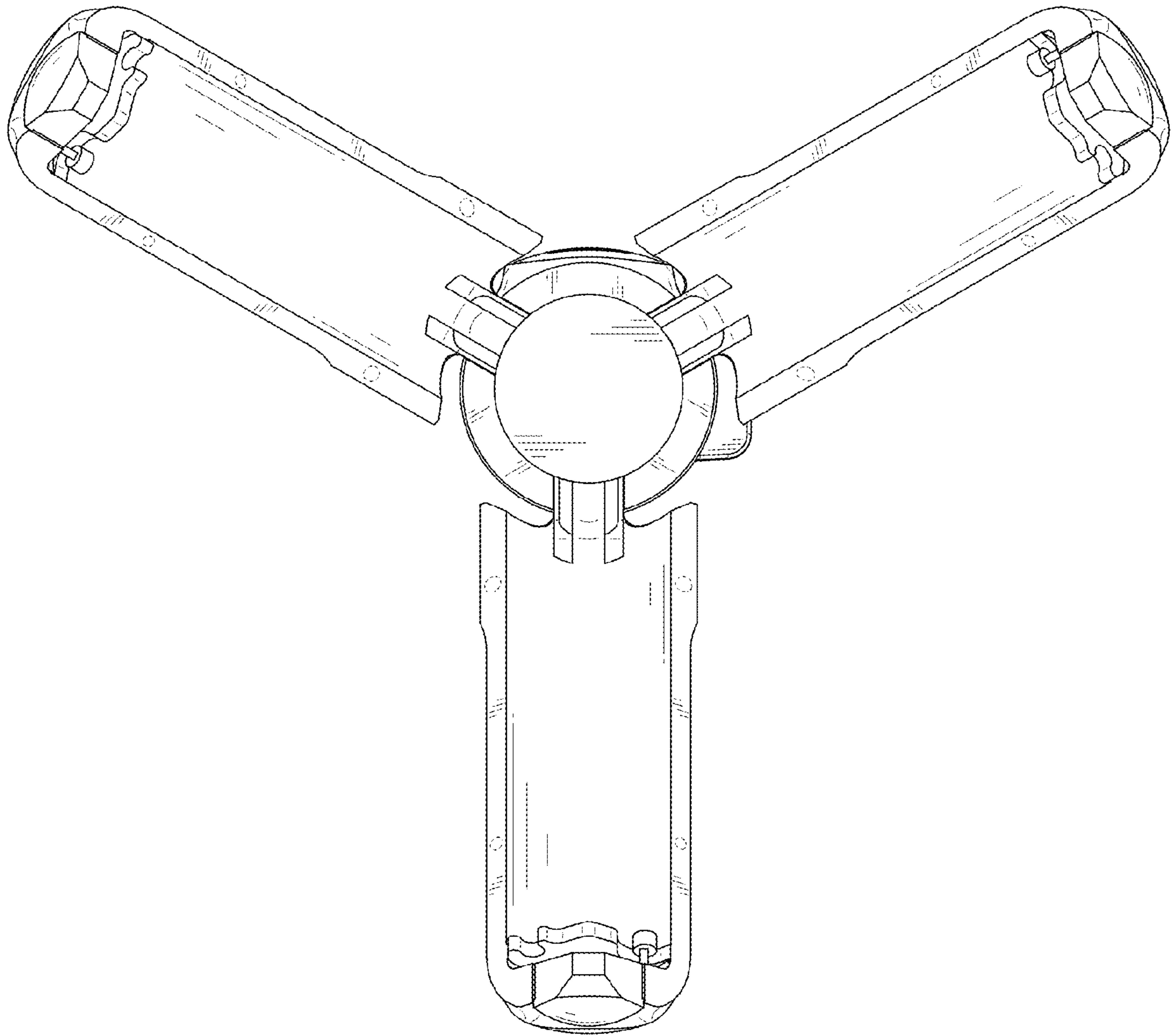


FIG. 8

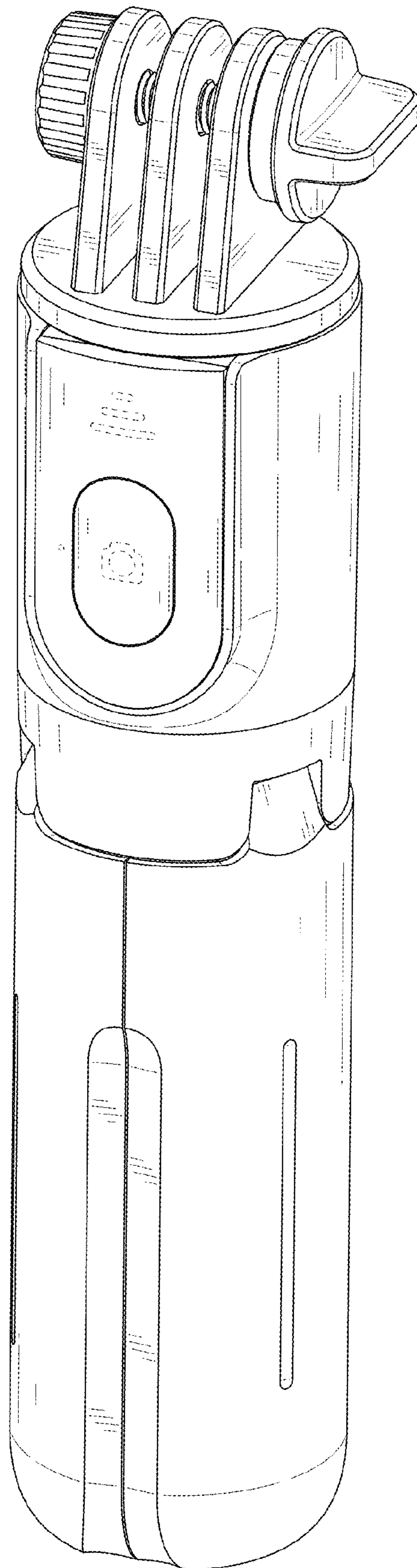


FIG. 9