



US00D976304S

(12) **United States Design Patent**
Wang et al.

(10) **Patent No.:** **US D976,304 S**
(45) **Date of Patent:** **** Jan. 24, 2023**

(54) **BACKGROUND FOR PHOTOGRAPHY**

(71) Applicant: **SHENZHEN XINGYINGDA INDUSTRY CO., LTD.**, Shenzhen (CN)

(72) Inventors: **Jun Wang**, Shenzhen (CN); **Yan Ke**, Shenzhen (CN)

(73) Assignee: **SHENZHEN XINGYINGDA INDUSTRY CO., LTD.**, Shenzhen (CN)

(**) Term: **15 Years**

(21) Appl. No.: **29/844,104**

(22) Filed: **Jun. 27, 2022**

(51) **LOC (14) Cl.** **16-05**

(52) **U.S. Cl.**
USPC **D16/241**

(58) **Field of Classification Search**
USPC D16/237–250; D8/354, 355, 363, 373, D8/382, 383, 394, 396; D14/238, 251, D14/253; D26/106, 118
CPC G03B 17/02; G03B 17/56; G03B 17/04; G03B 17/561–566; G03B 15/02; G03B 15/03; H04N 5/2251; H04N 5/2252; H04N 5/2253; H04N 5/2254; G02B 7/02; G02B 7/04; G02B 7/14
See application file for complete search history.

(56) **References Cited**

U.S. PATENT DOCUMENTS

D323,338 S	*	1/1992	Court	D16/241
D357,492 S	*	4/1995	Henry	D16/241
D492,954 S	*	7/2004	Silvester	D16/241
D671,161 S	*	11/2012	Li	D16/241

D671,587 S	*	11/2012	Li	D16/237
D696,334 S	*	12/2013	Li	D16/237
D696,335 S	*	12/2013	Li	D16/237
D699,778 S	*	2/2014	Li	D16/237
D710,926 S	*	8/2014	Li	D16/237
D808,456 S	*	1/2018	Li	D16/225
D870,809 S		12/2019	Bochner		
D940,228 S		1/2022	Ke		

* cited by examiner

Primary Examiner — Ramzi Almatrahi

(74) *Attorney, Agent, or Firm* — ScienBiziP, P.C.

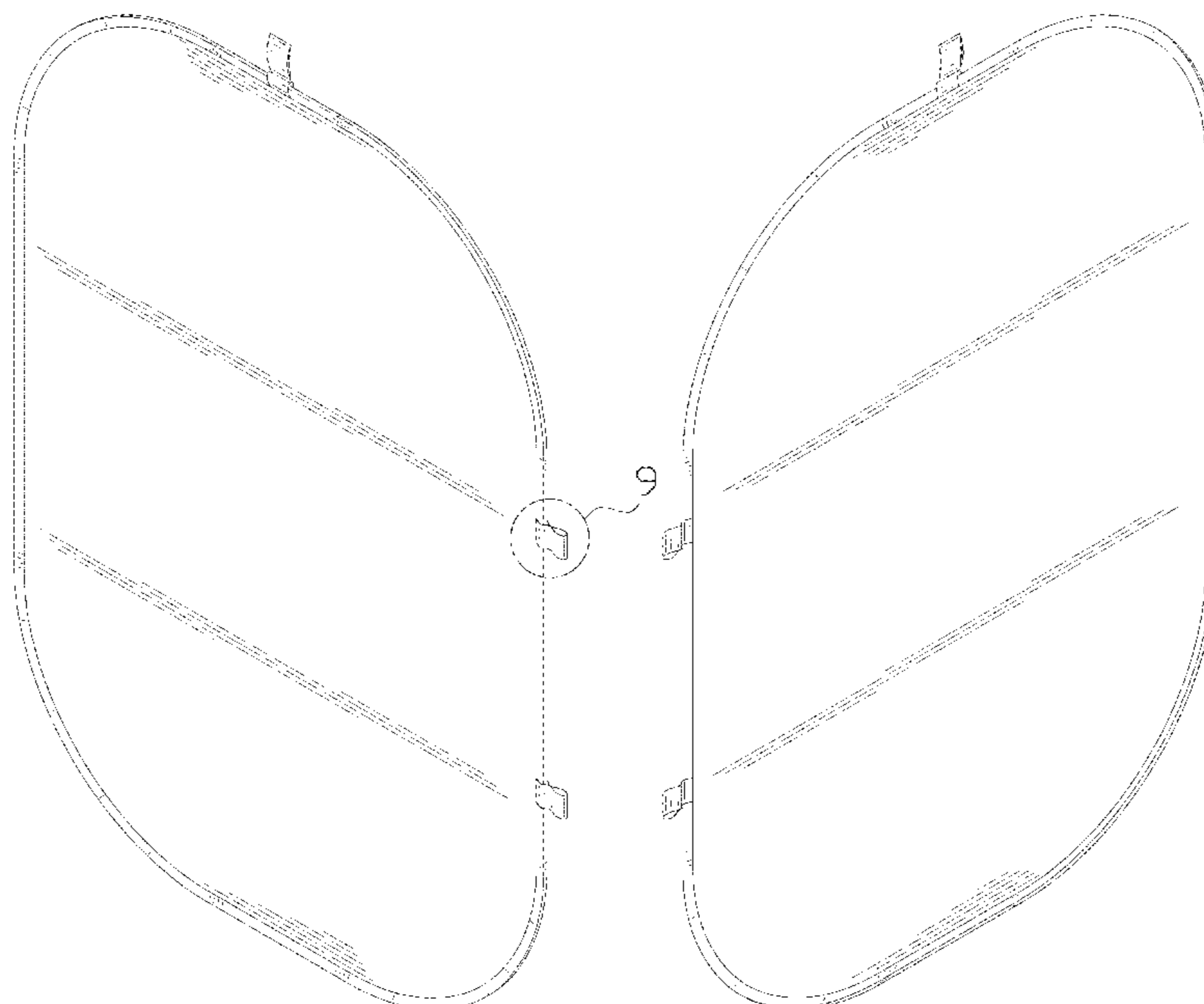
(57) **CLAIM**

The ornamental design for a background for photography, as shown and described.

DESCRIPTION

FIG. 1 is a front, right and top perspective view of a background for photography, showing our design. FIG. 2 is a rear, left and bottom perspective view thereof. FIG. 3 is a front elevation view thereof. FIG. 4 is a rear elevation view thereof. FIG. 5 is a left side elevation view thereof. FIG. 6 is a right side elevation view thereof. FIG. 7 is a top plan view thereof. FIG. 8 is a bottom plan view thereof. FIG. 9 is an enlarged view of portion 9 shown in FIG. 1; FIG. 10 is a front, right and top perspective view thereof, shown in condition of use with a tripod disclosed in broken lines to illustrate an environment; and, FIG. 11 is an enlarged view of portion 11 shown in FIG. 10. The broken lines showing a tripod in FIGS. 10 and 11 represent environmental structure and form no part of the claimed design. Additionally, the dot-dash broken lines encircling an enlargement portion of the design forms no part of the claimed design.

1 Claim, 11 Drawing Sheets



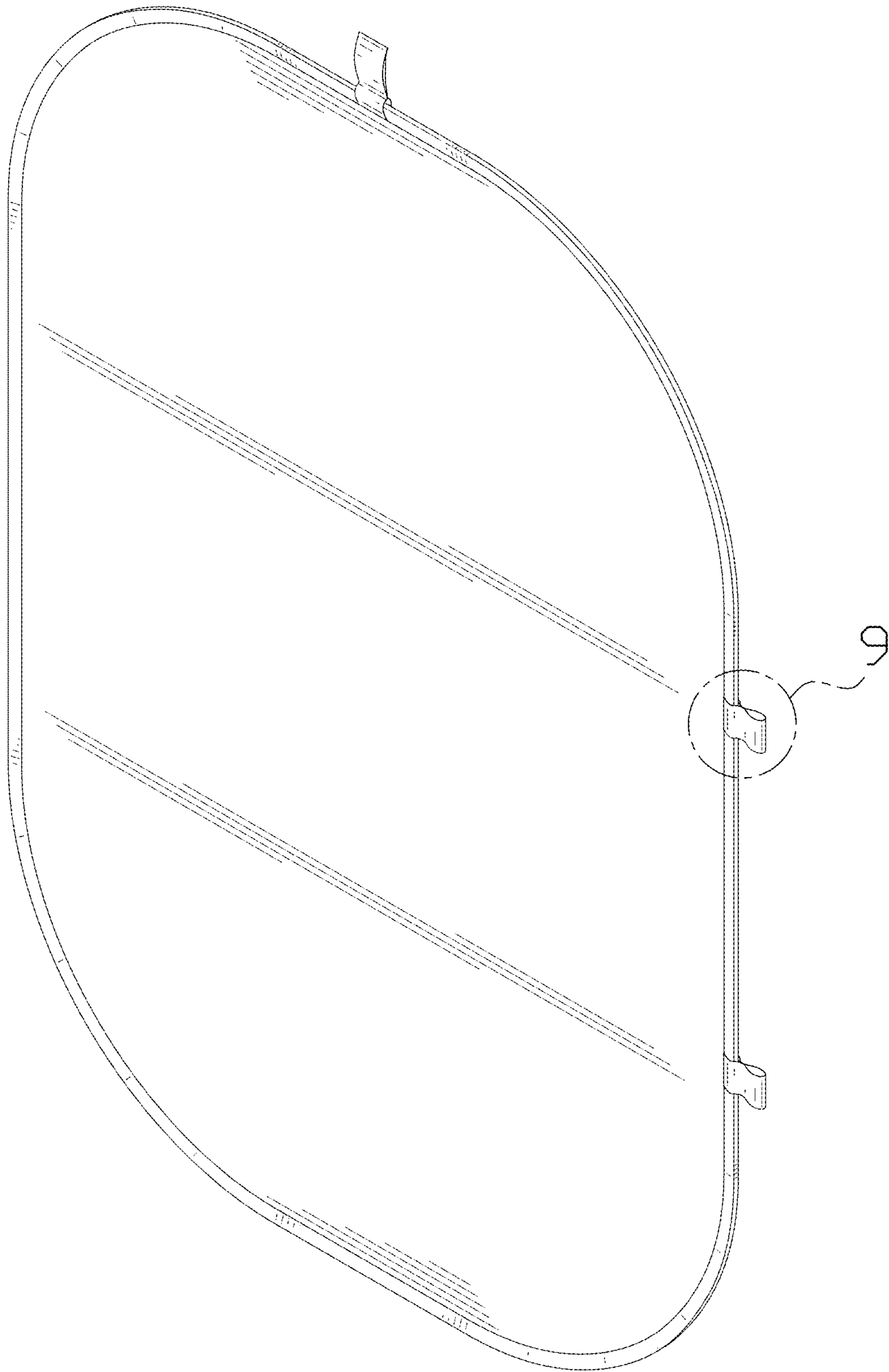


FIG. 1

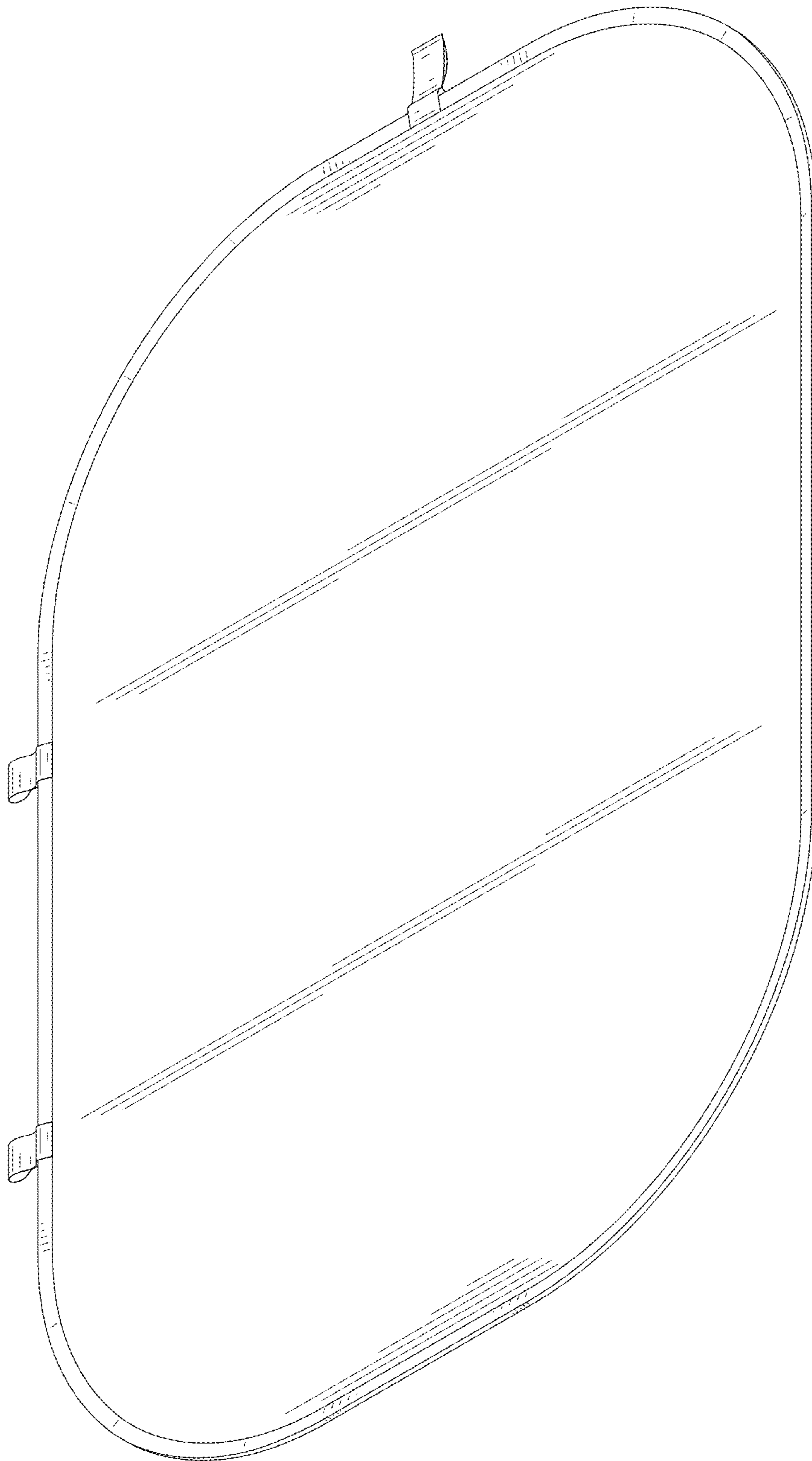


FIG. 2

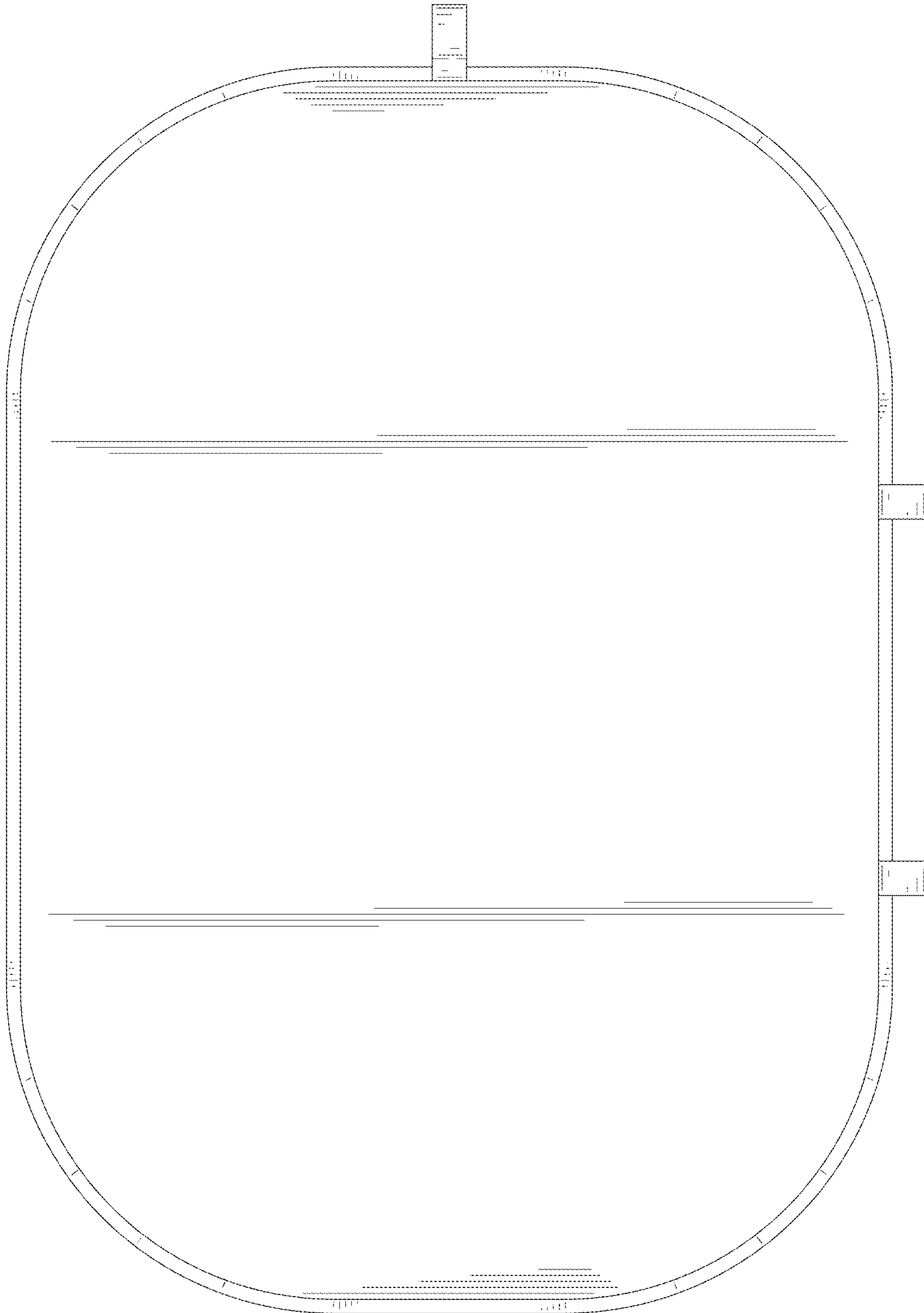


FIG. 3

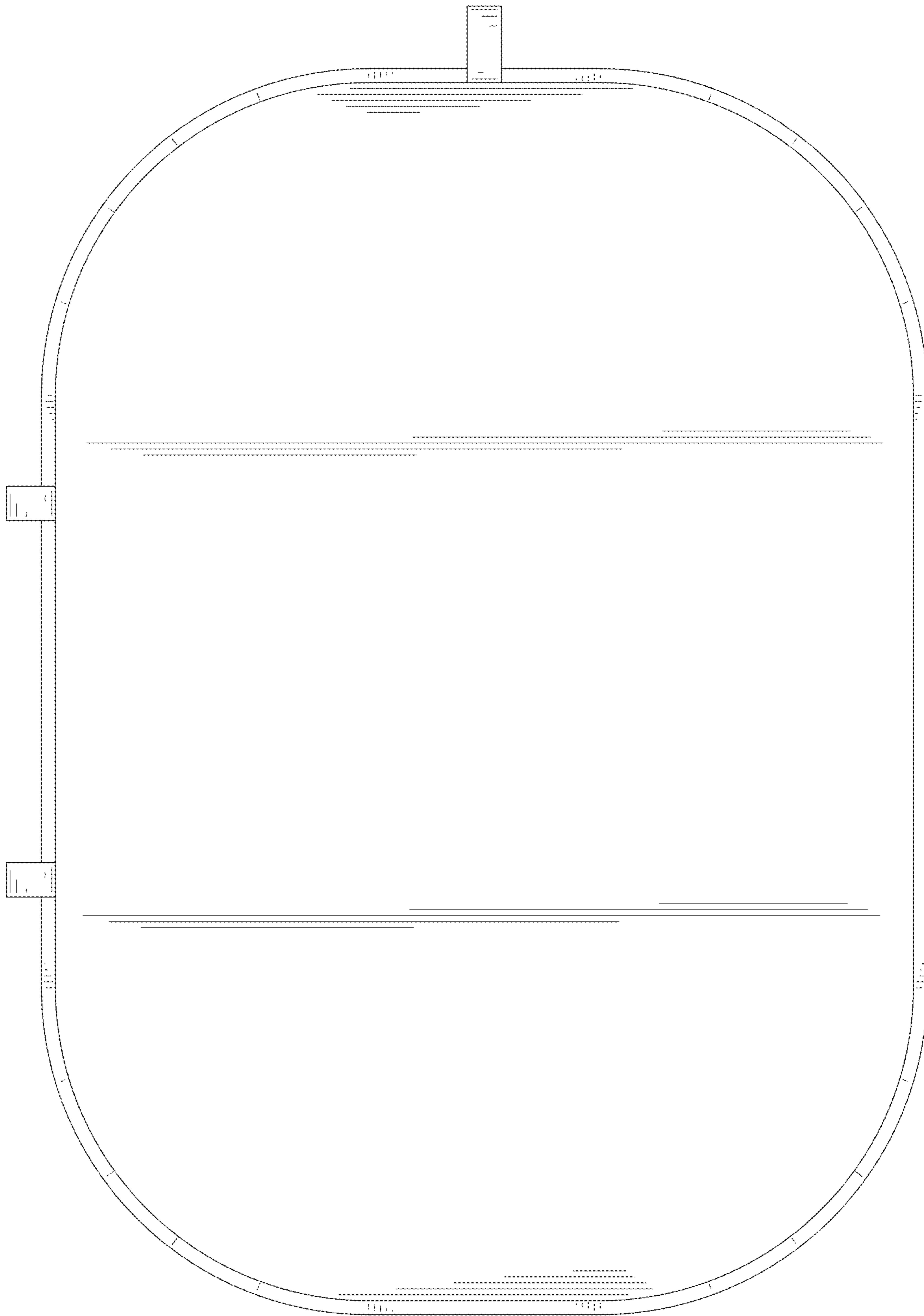


FIG. 4

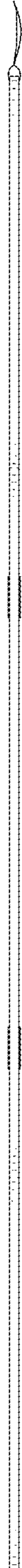


FIG. 5

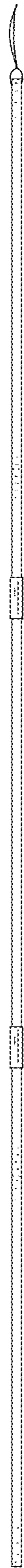


FIG. 6

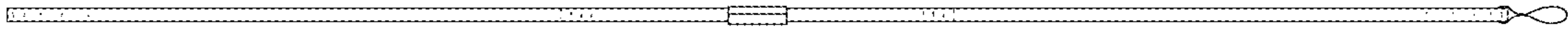


FIG. 7

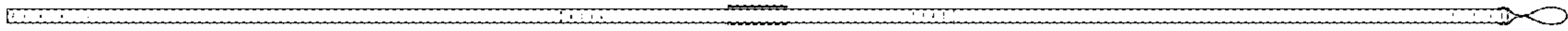


FIG. 8

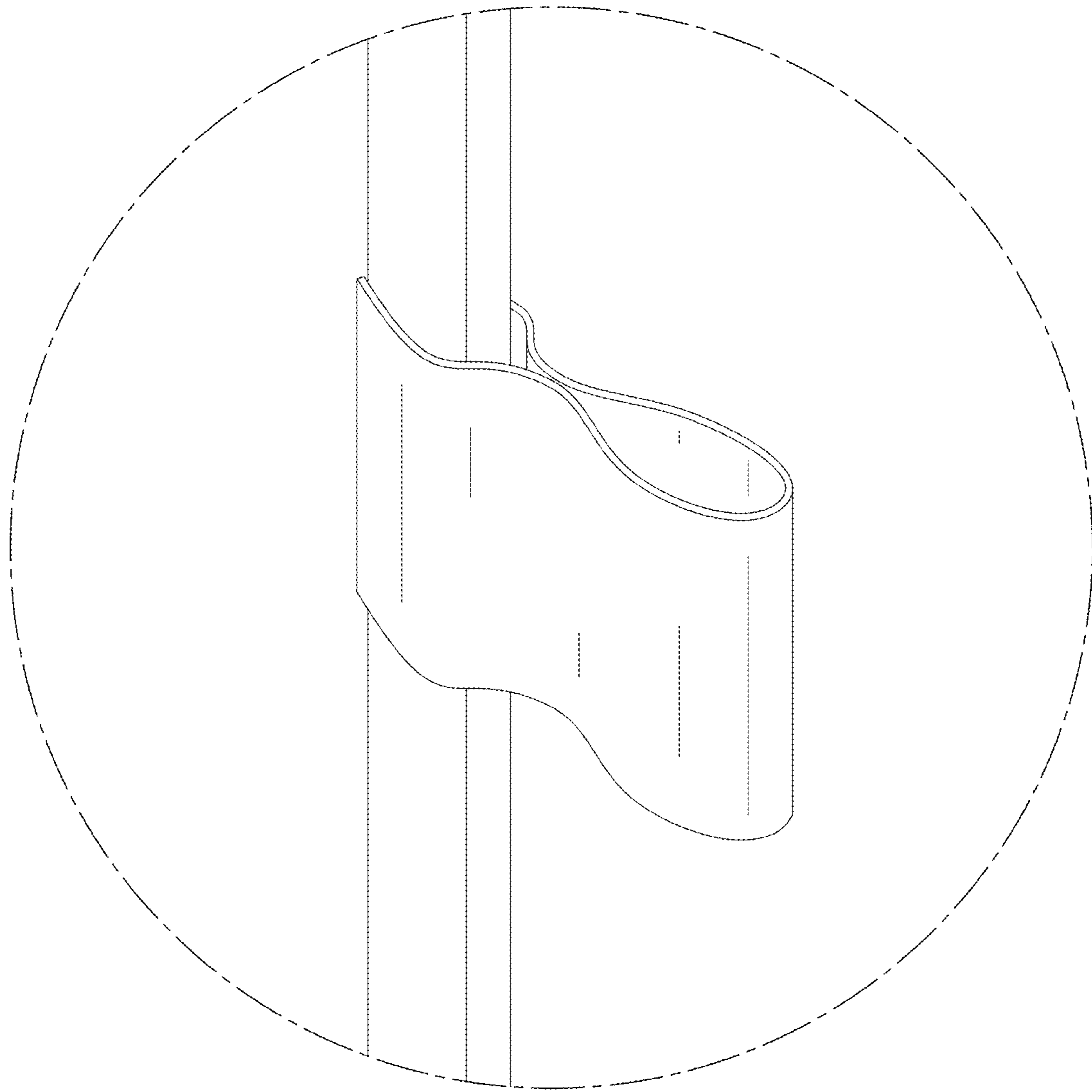


FIG. 9

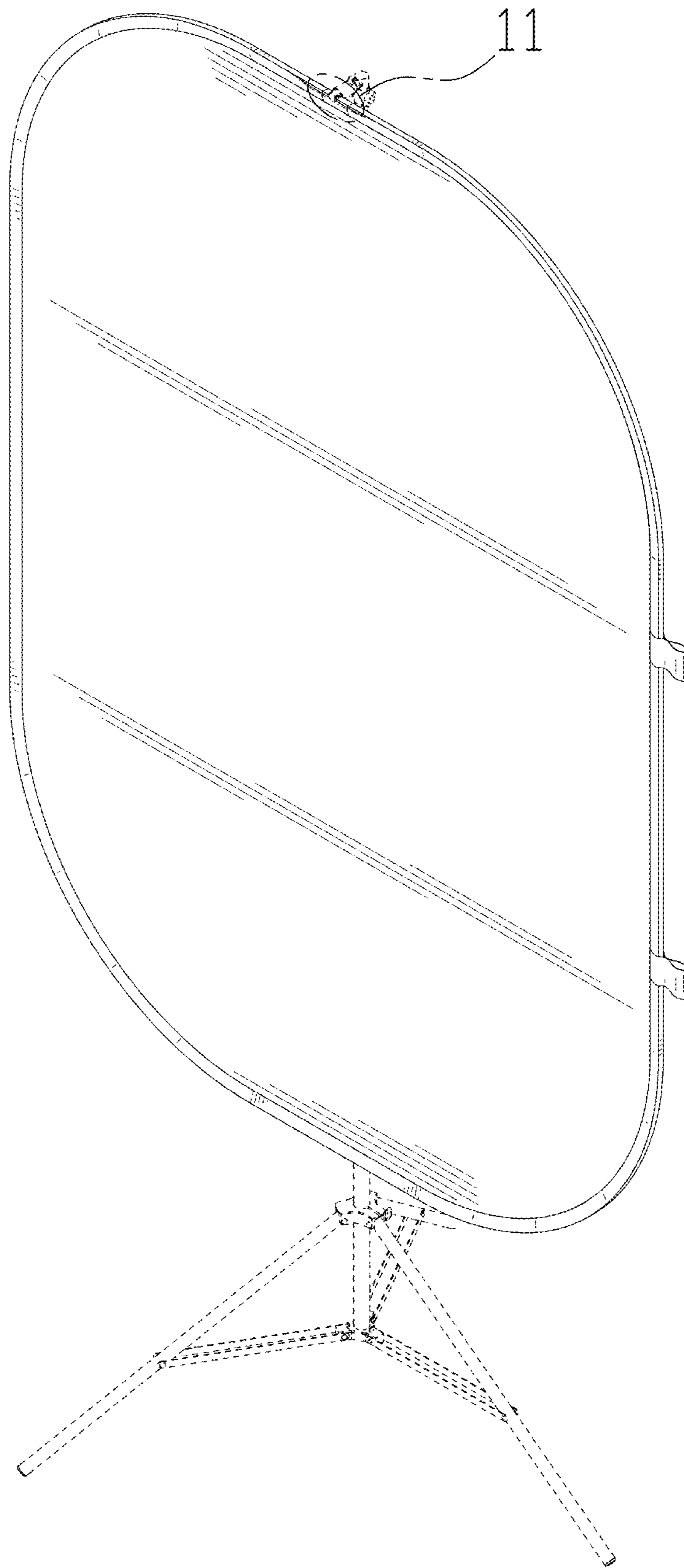


FIG. 10

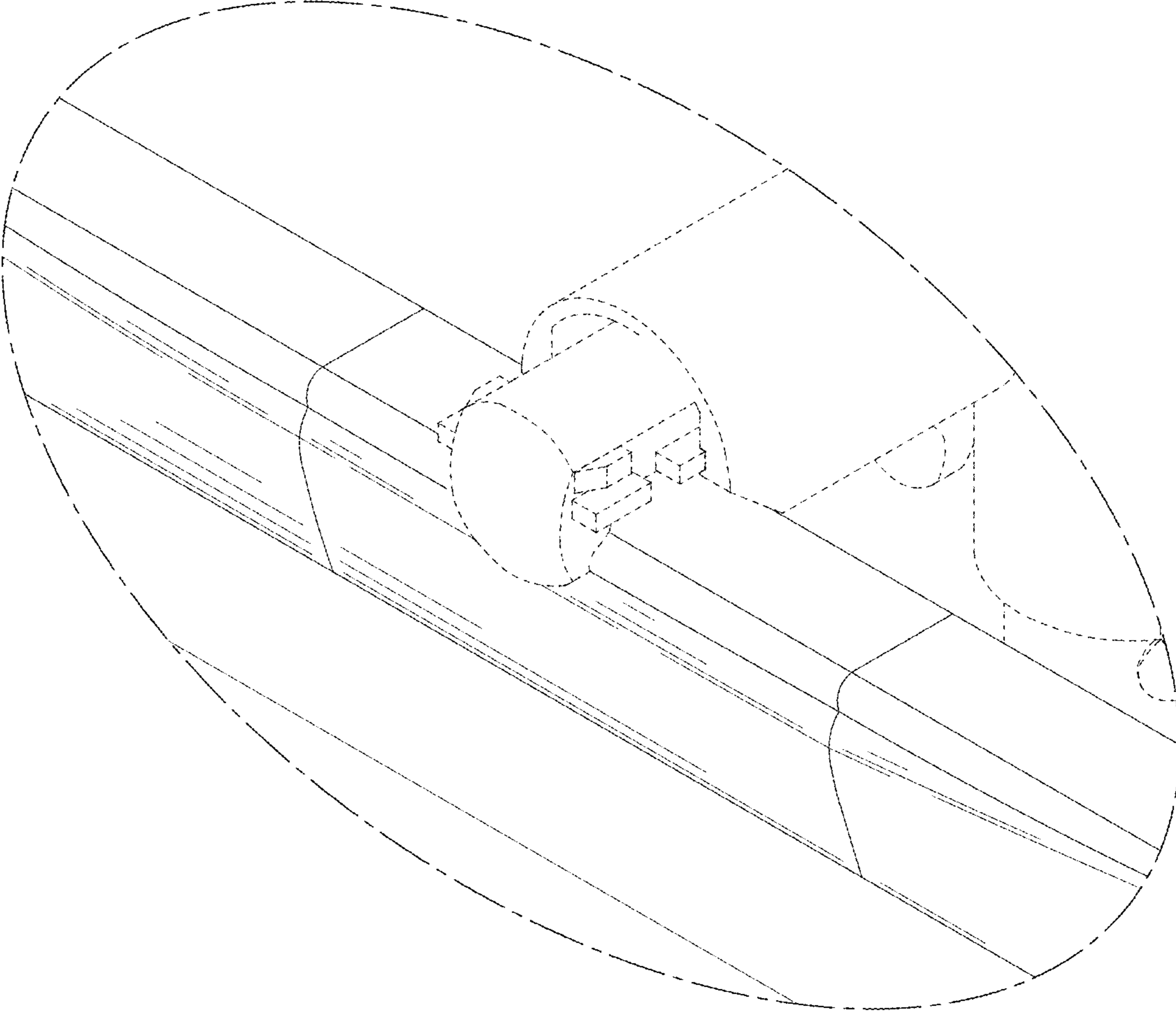


FIG. 11