



US00D976302S

(12) **United States Design Patent**
Yuan et al.

(10) **Patent No.:** **US D976,302 S**
(45) **Date of Patent:** **** Jan. 24, 2023**

(54) **INFRARED THERMAL IMAGER**

(71) Applicant: **Infiray Technologies Co., Ltd.**, Anhui (CN)

(72) Inventors: **Meizhu Yuan**, Anhui (CN); **Tongbo Sun**, Anhui (CN)

(73) Assignee: **Infiray Technologies Co., Ltd.**, Anhui (CN)

(**) Term: **15 Years**

(21) Appl. No.: **29/733,343**

(22) Filed: **Apr. 30, 2020**

(30) **Foreign Application Priority Data**

Jan. 17, 2020 (EM) 007524277

(51) **LOC (14) Cl.** **16-01**

(52) **U.S. Cl.**

USPC **D16/218**; D16/206

(58) **Field of Classification Search**

USPC D16/200, 202–206, 208, 218, 219, 242;
D10/52, 65, 70, 104.1; 348/143, 148,
348/151, 373–376; 396/419, 427, 535,
396/539–541

CPC G03B 17/02; G03B 19/04; G03B 17/56;
G03B 17/04; G03B 15/03; H04N 5/2251;
H04N 5/2252; H04N 5/2253; H04N
5/2254; H04N 7/181; H04N 7/183; H04N
7/18; G08B 13/1963; G08B 13/19619;
G08B 13/19632

See application file for complete search history.

(56) **References Cited**

U.S. PATENT DOCUMENTS

D489,386 S *	5/2004	Lewellen	D16/203
D769,955 S *	10/2016	Faehrmann	D16/202
D809,046 S *	1/2018	Hatcher	D16/202
D886,176 S *	6/2020	Wu	D16/132
D890,830 S *	7/2020	Song	D16/202
D911,414 S *	2/2021	Zheng	D16/202
D922,466 S *	6/2021	Larsen	D16/202
2006/0133798 A1 *	6/2006	Palmer	G02B 23/12 348/30

* cited by examiner

Primary Examiner — Ramzi Almatrahi

(74) *Attorney, Agent, or Firm* — Harness, Dickey & Pierce, P.L.C.

(57) **CLAIM**

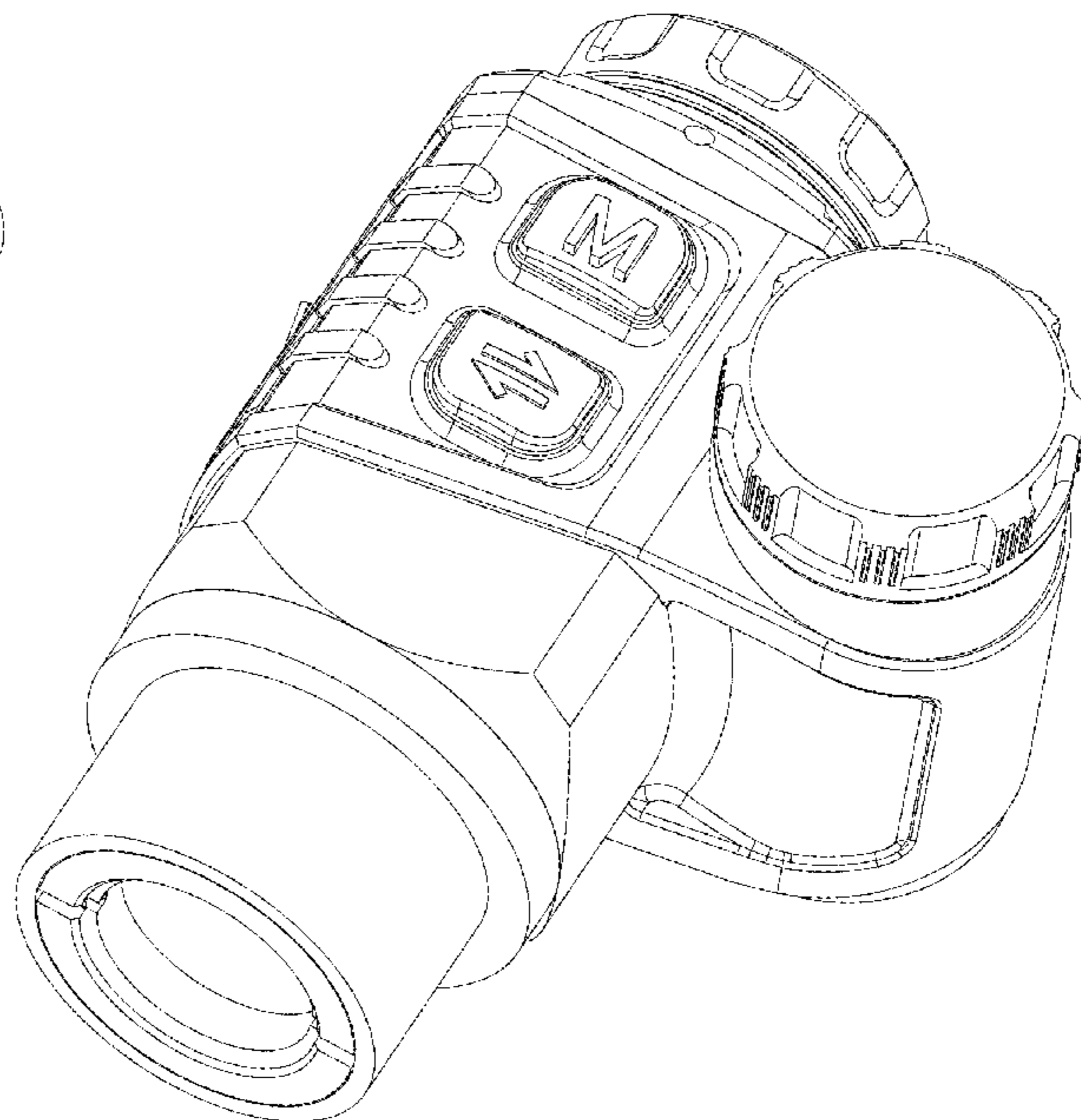
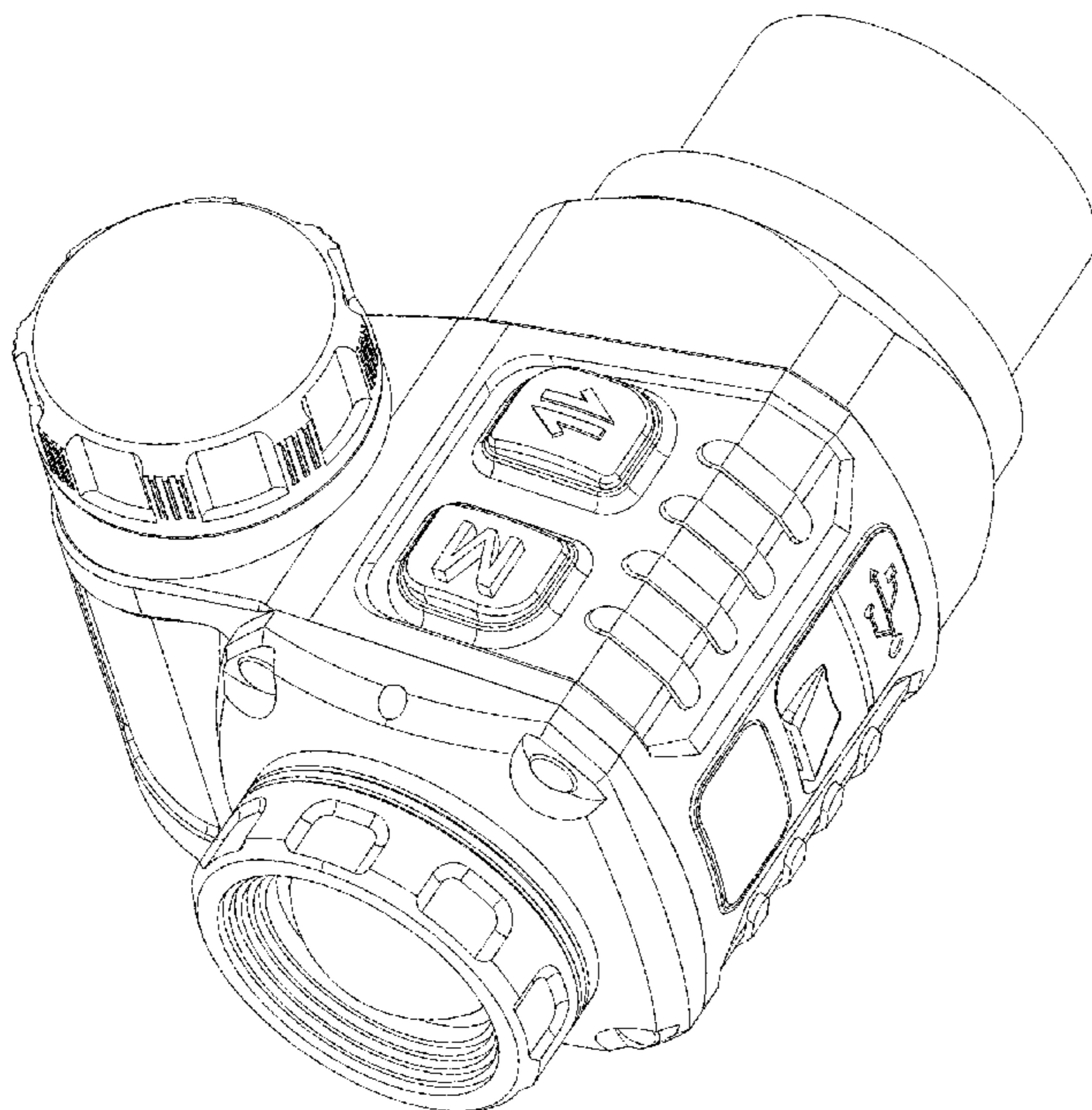
The ornamental design for an infrared thermal imager, as shown and described.

DESCRIPTION

FIG. 1 is a top, front and right side perspective view of an infrared thermal imager showing our new design; FIG. 2 is a top, rear and left side perspective view thereof; FIG. 3 is a front elevation view thereof; FIG. 4 is a rear elevation view thereof; FIG. 5 is a left side elevation view thereof; FIG. 6 is a right side elevation view thereof; FIG. 7 is a top plan view thereof; and, FIG. 8 is a bottom plan view thereof.

The broken lines depict portions of the infrared thermal imager in which the design is embodied that form no part of the claimed design.

1 Claim, 8 Drawing Sheets



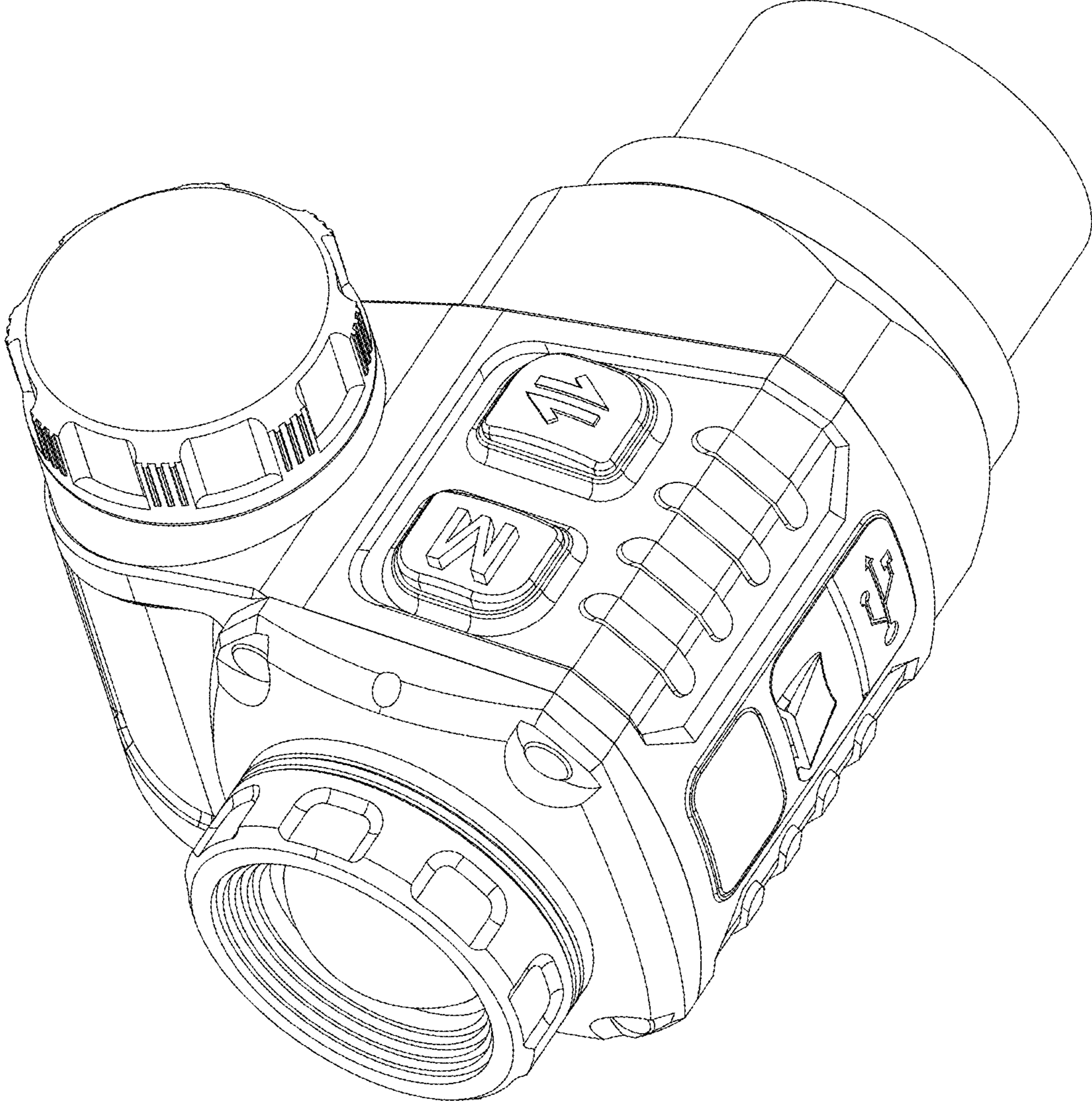


FIG. 1

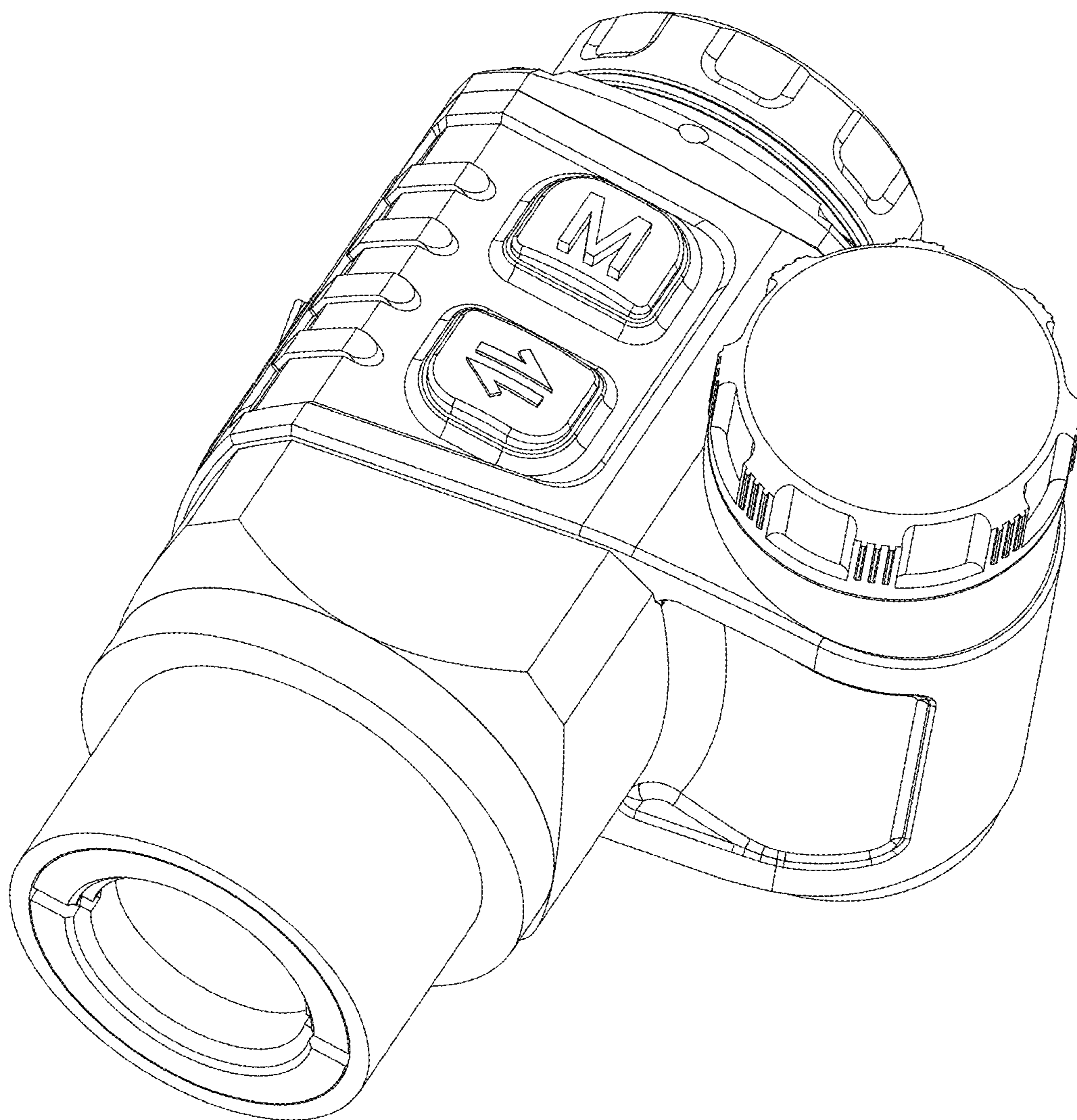


FIG. 2

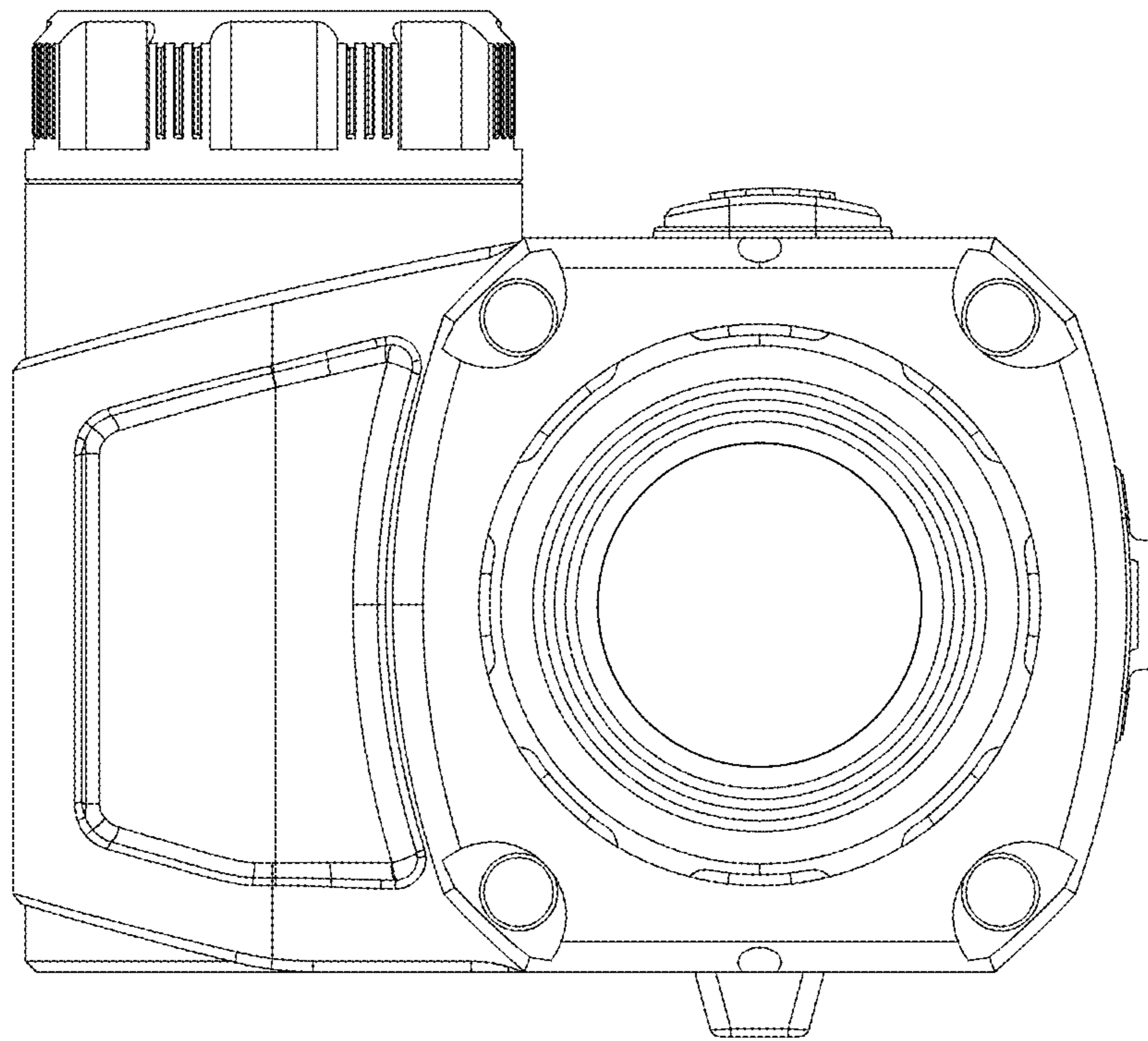


FIG. 3

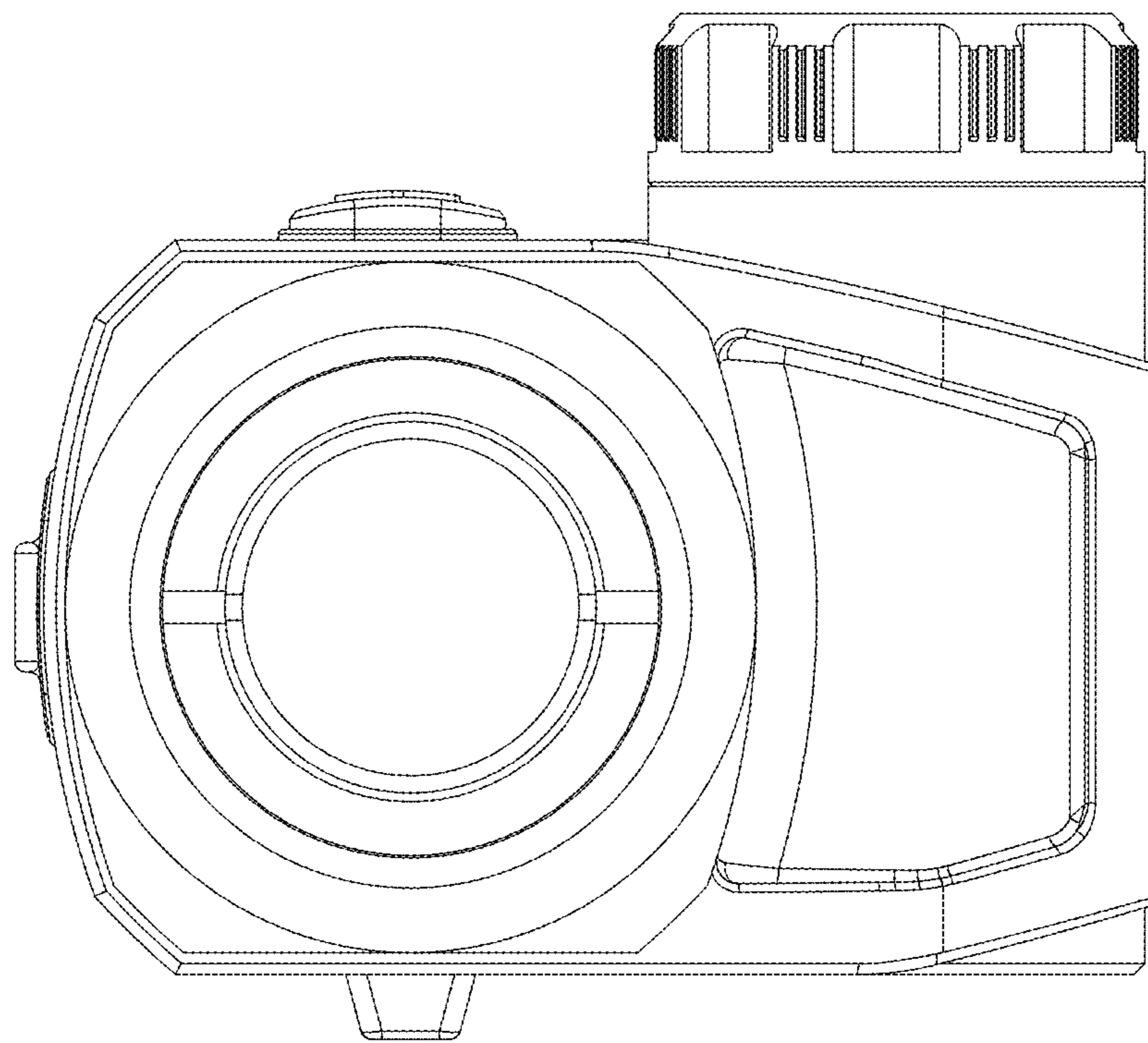


FIG. 4

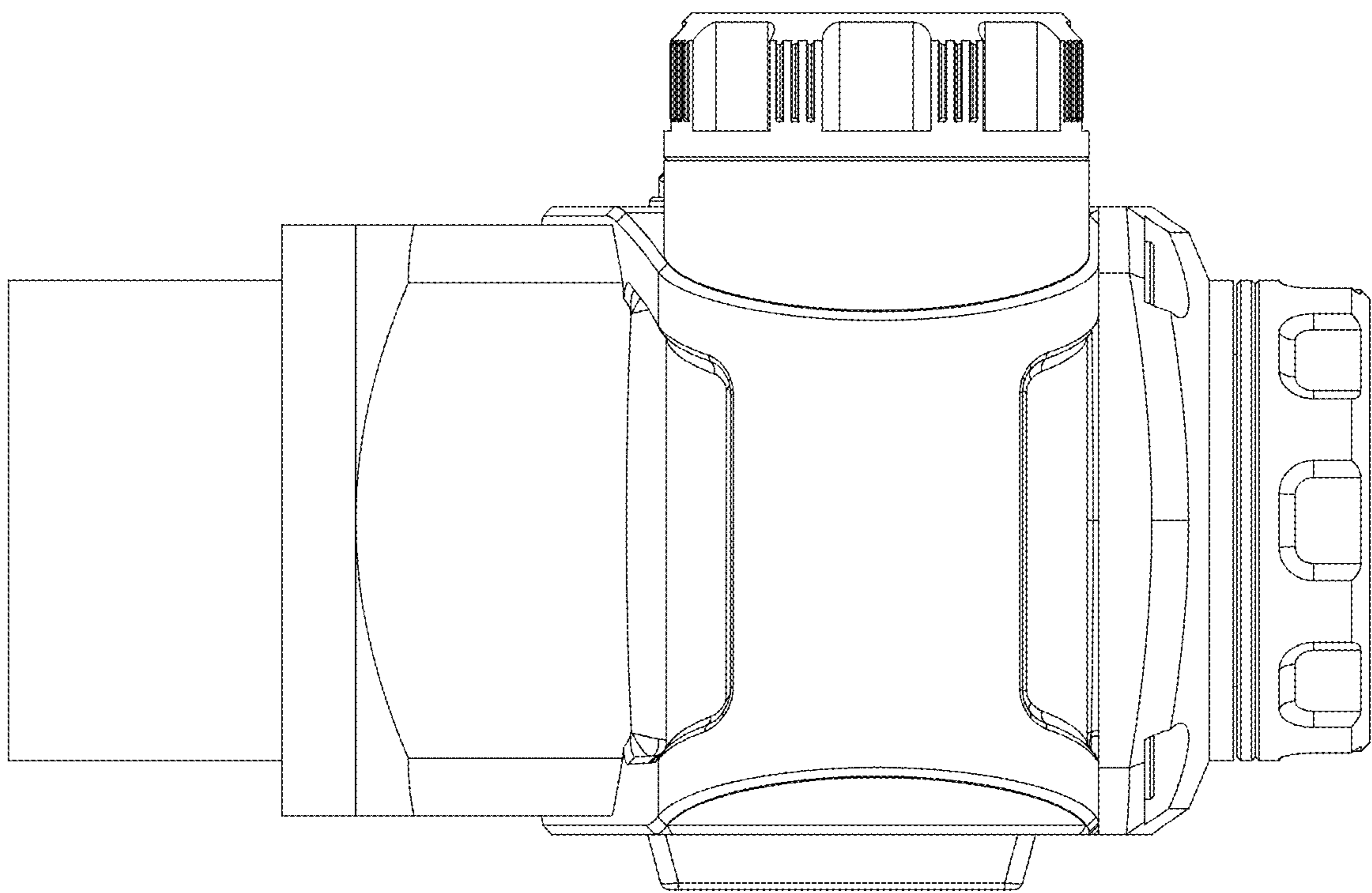


FIG. 5

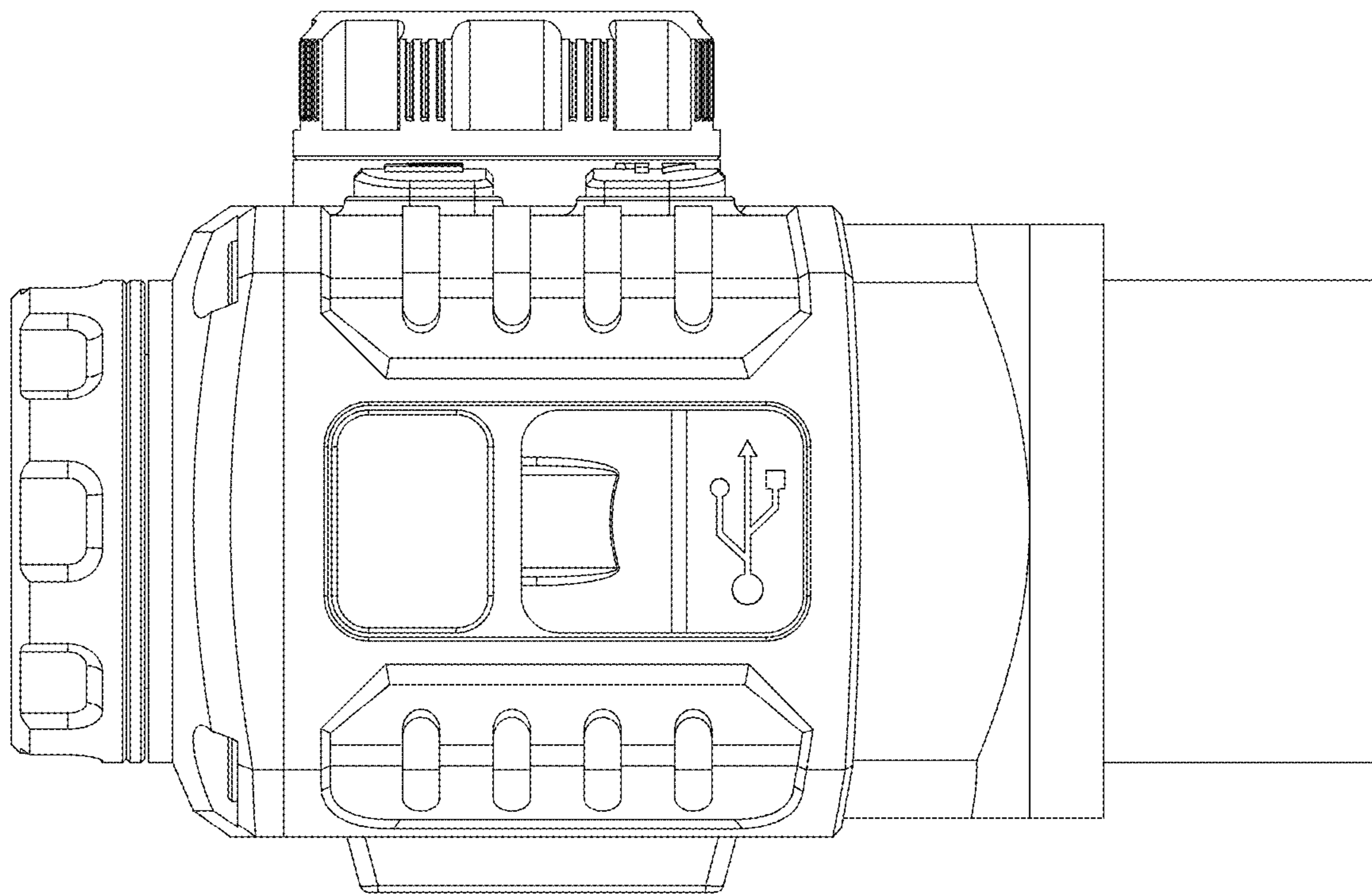


FIG. 6

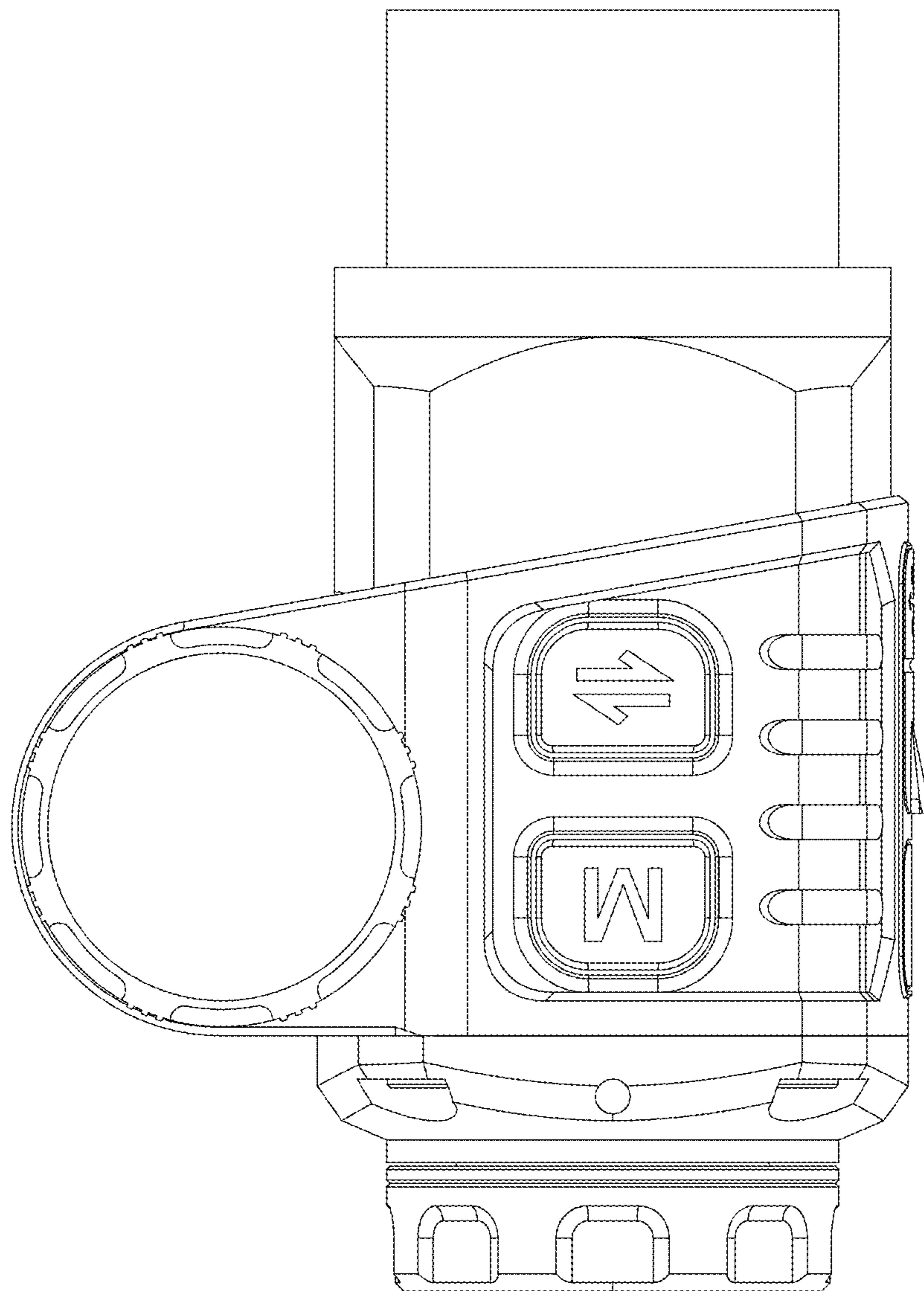


FIG. 7

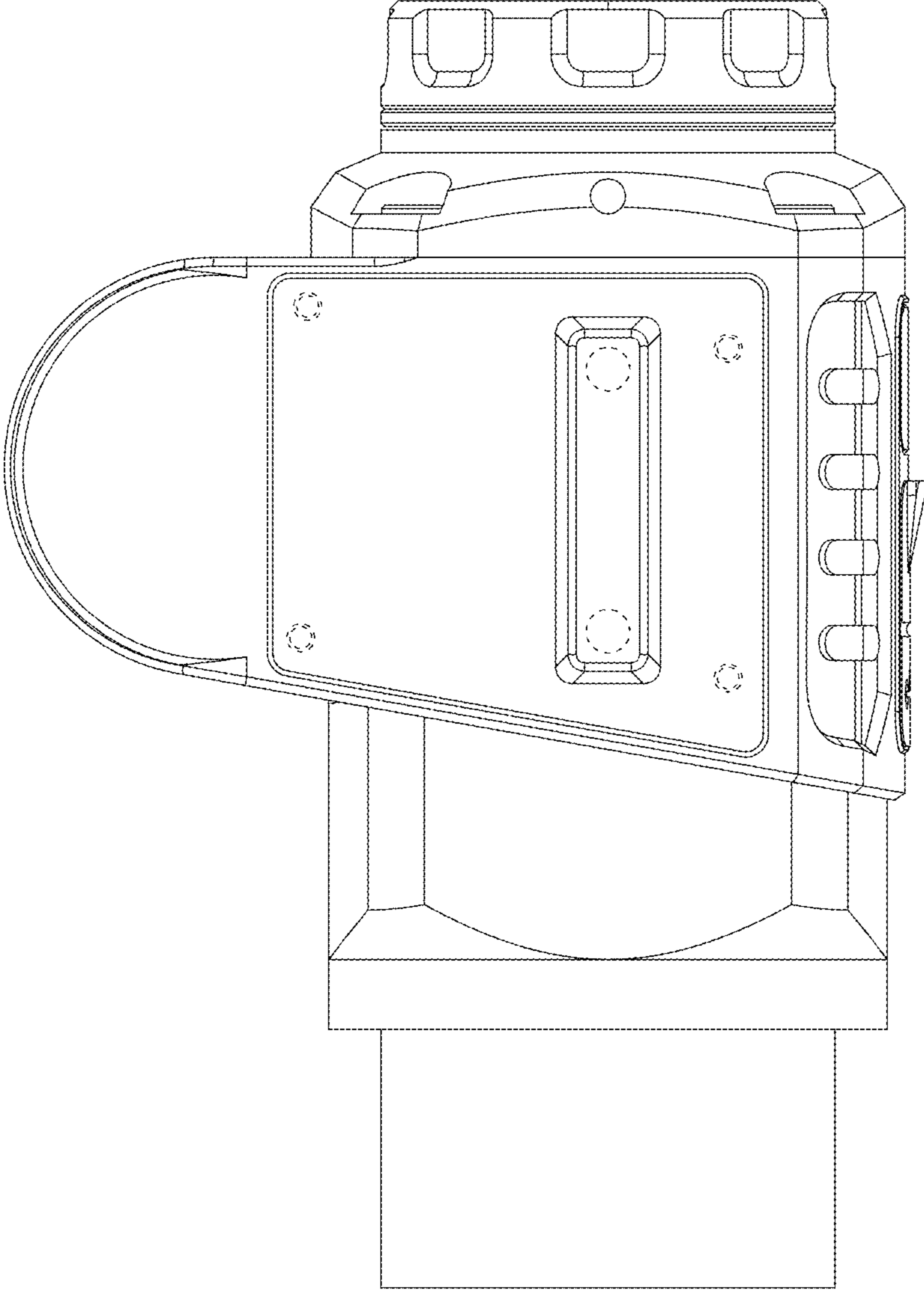


FIG. 8