



US00D976299S

(12) **United States Design Patent**
Urruth Kemmerich

(10) **Patent No.:** **US D976,299 S**
(45) **Date of Patent:** **** Jan. 24, 2023**

(54) **UV-LIGHT DISINFECTION ROBOT LIGHT ASSEMBLY TOWER CAP**

FOREIGN PATENT DOCUMENTS

- (71) Applicant: **Blue Ocean Robotics ApS**, Odense (DK)
- (72) Inventor: **Gustavo Urruth Kemmerich**, Odense (DK)
- (73) Assignee: **Blue Ocean Robotics ApS**, Odense (DK)
- (**) Term: **15 Years**
- (21) Appl. No.: **29/841,189**
- (22) Filed: **Jun. 3, 2022**

WO WO-2015116876 A1 * 8/2015 A61L 2/10
WO WO-2021185868 A1 * 9/2021

Primary Examiner — Patricia A Palasik
(74) *Attorney, Agent, or Firm* — Donald J. Lecher; Butzel Long

(57) **CLAIM**

The ornamental design for a UV-light disinfection robot light assembly tower cap, as shown and described.

DESCRIPTION

FIG. 1 shows a top left-side front perspective view of an embodiment of the UV-light disinfection robot light assembly tower cap of our new design, disclaiming an enclosure for an automatic guided vehicle assembly supporting the UV-light disinfection robot light assembly tower cap and a lighting tower assembly mounted thereunder;
 FIG. 2 shows a front elevation view thereof;
 FIG. 3 shows a right-side elevation view thereof;
 FIG. 4 shows a rear elevation view thereof;
 FIG. 5 shows a left-side elevation view thereof;
 FIG. 6 shows a top plan view thereof;
 FIG. 7 shows a top right-side rear perspective view thereof;
 FIG. 8 shows a bottom left-side front perspective view of the UV-light disinfection robot light assembly tower cap of our new design opposite that of FIG. 7, disclaiming the enclosure for the automatic guided vehicle assembly and the lighting tower assembly disposed thereunder; and,
 FIG. 9 shows a bottom right-side rear perspective view of the embodiment of the UV-light disinfection robot light assembly tower cap of our new design opposite that of FIG. 1, the embodiment disclaiming the enclosure for the automatic guided vehicle assembly and the lighting tower assembly disposed thereunder.
 The broken or evenly-dashed lines are included to show structure of the robot that form no part of the claimed design.

Related U.S. Application Data

- (62) Division of application No. 29/736,418, filed on May 29, 2020.
- (51) **LOC (14) Cl.** **15-99**
- (52) **U.S. Cl.**
USPC **D15/199**; D34/34
- (58) **Field of Classification Search**
USPC D15/199; D21/578–583, 621, 622;
D32/21; D34/34
CPC B25J 5/007; B25J 11/008; B60B 19/006;
B62D 57/024; Y10S 901/01
See application file for complete search history.

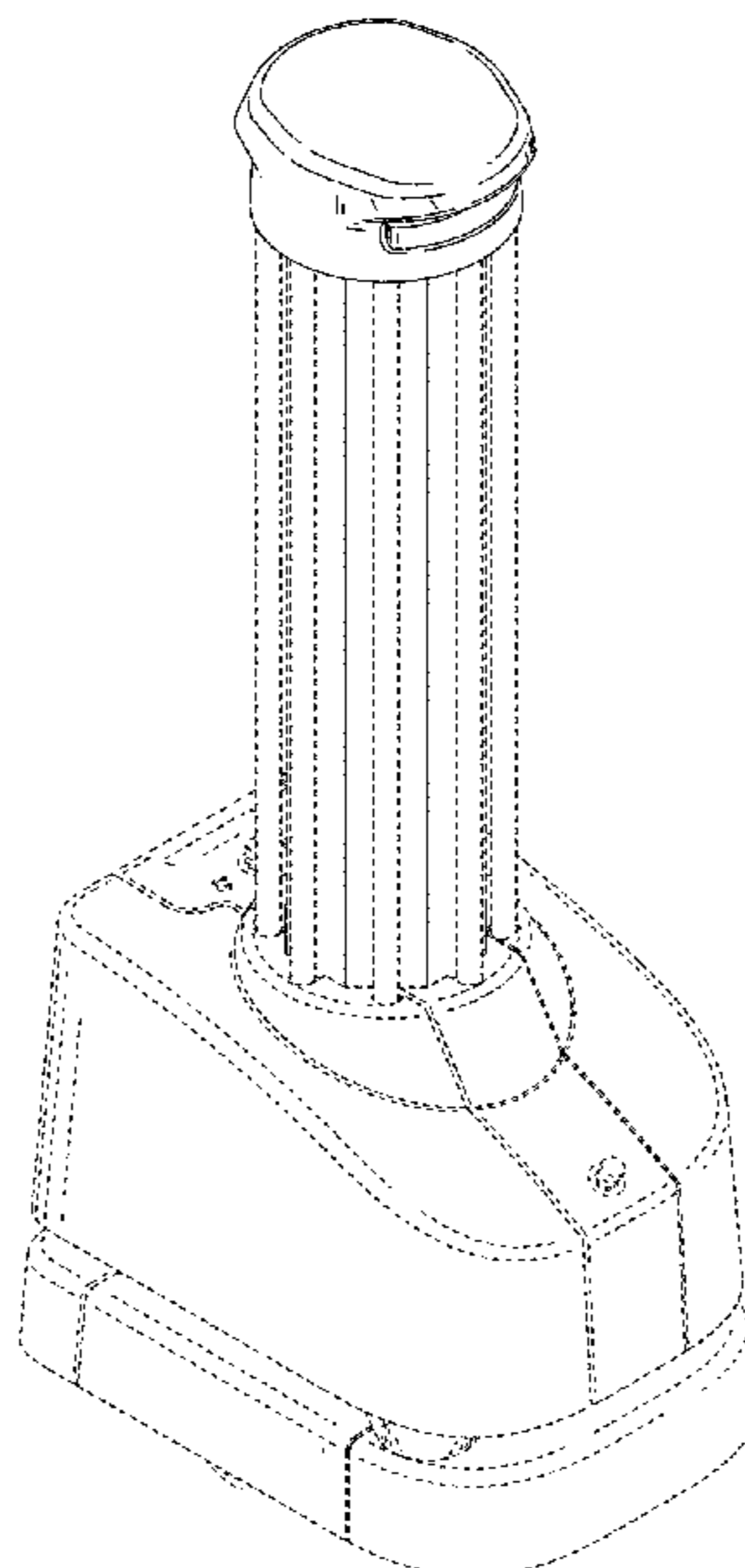
References Cited

U.S. PATENT DOCUMENTS

- D549,756 S * 8/2007 Park D15/199
- D675,656 S * 2/2013 Sutherland D15/199
- D722,632 S * 2/2015 Stone D12/1
- D766,644 S * 9/2016 Huang D15/199

(Continued)

1 Claim, 9 Drawing Sheets



(56)

References Cited

U.S. PATENT DOCUMENTS

9,776,327 B2 * 10/2017 Pinter B25J 9/1676
D810,167 S * 2/2018 Yang D15/199
D811,458 S * 2/2018 Wang D15/199
D817,375 S * 5/2018 Deyle D15/199
D841,067 S * 2/2019 Camporesi D15/199
D849,813 S * 5/2019 Sutherland D21/578
D855,673 S * 8/2019 Sutherland D15/199
D859,485 S * 9/2019 Sutherland D15/199
D872,788 S * 1/2020 Sutherland D15/199
D877,786 S * 3/2020 Gayne D15/199
D881,249 S * 4/2020 Kim D15/199
D894,987 S * 9/2020 Li D15/199
D912,115 S * 3/2021 Rembisz D15/199
D913,349 S * 3/2021 Yao D15/199
D915,486 S * 4/2021 Gidwell D15/199
D917,591 S * 4/2021 Xiao D15/199
D918,978 S * 5/2021 Li D15/199
D920,411 S * 5/2021 Zheng D15/199
2009/0035181 A1 * 2/2009 Chung G01N 35/04
422/68.1
2014/0074287 A1 * 3/2014 LaFary G05B 19/4061
700/253
2015/0073589 A1 * 3/2015 Khodl B25J 5/007
700/218
2017/0337506 A1 * 11/2017 Wise G05B 19/418
2021/0170583 A1 * 6/2021 Edsinger B25J 9/162
2021/0353808 A1 * 11/2021 Hung A61L 2/10

* cited by examiner

FIG. 1

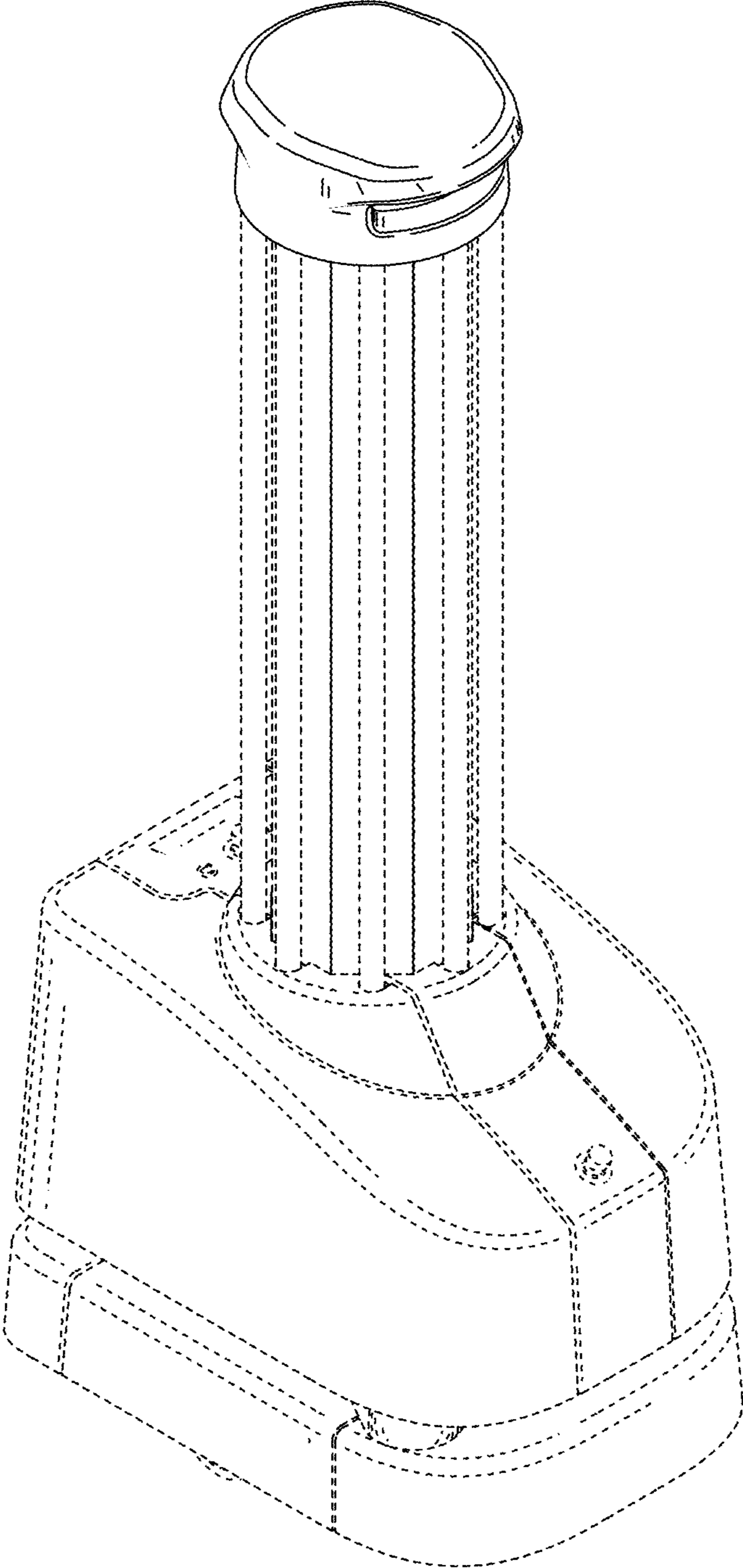


FIG. 2

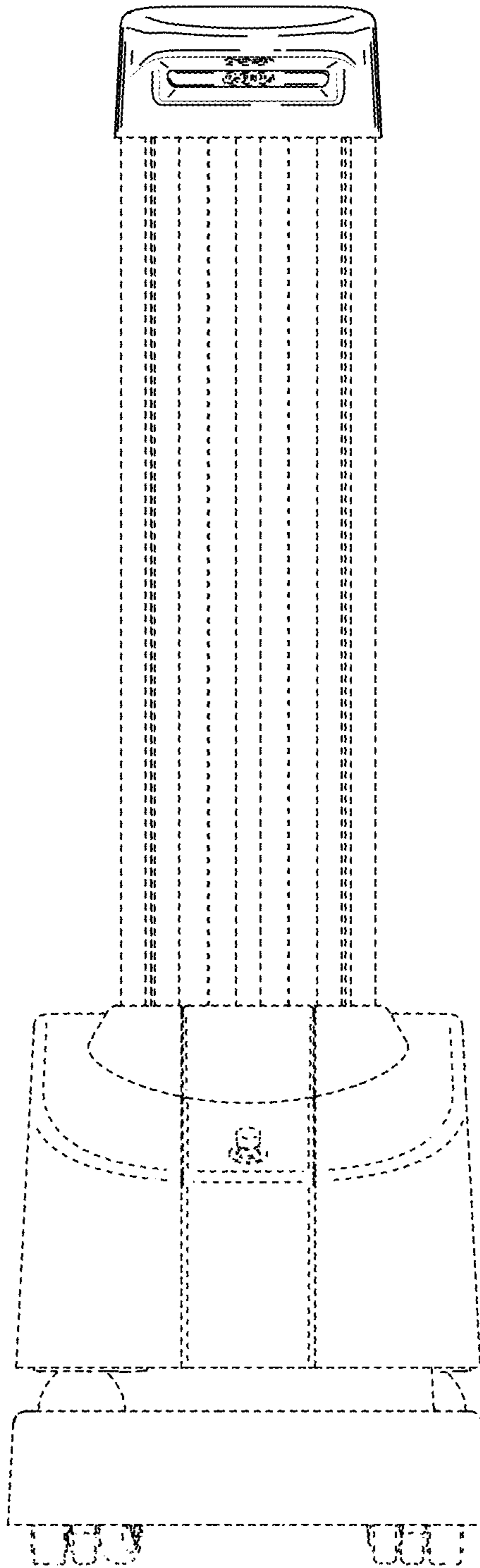


FIG. 3

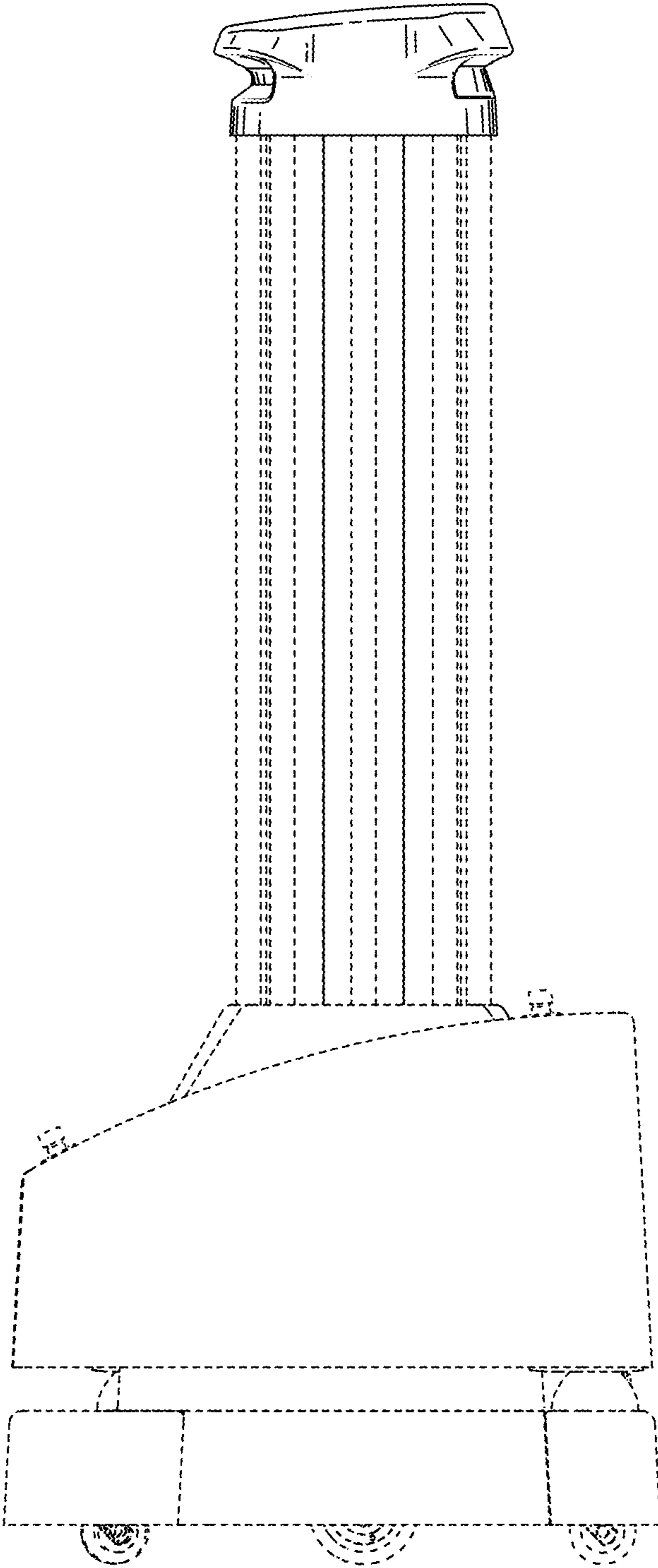


FIG. 4

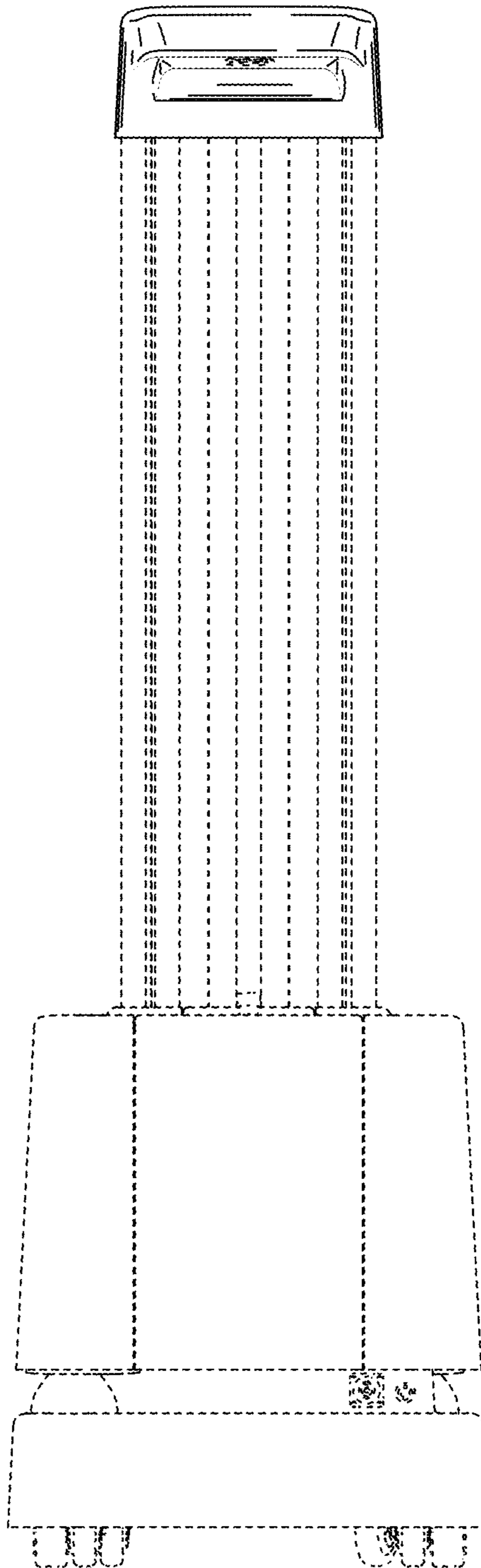


FIG. 5

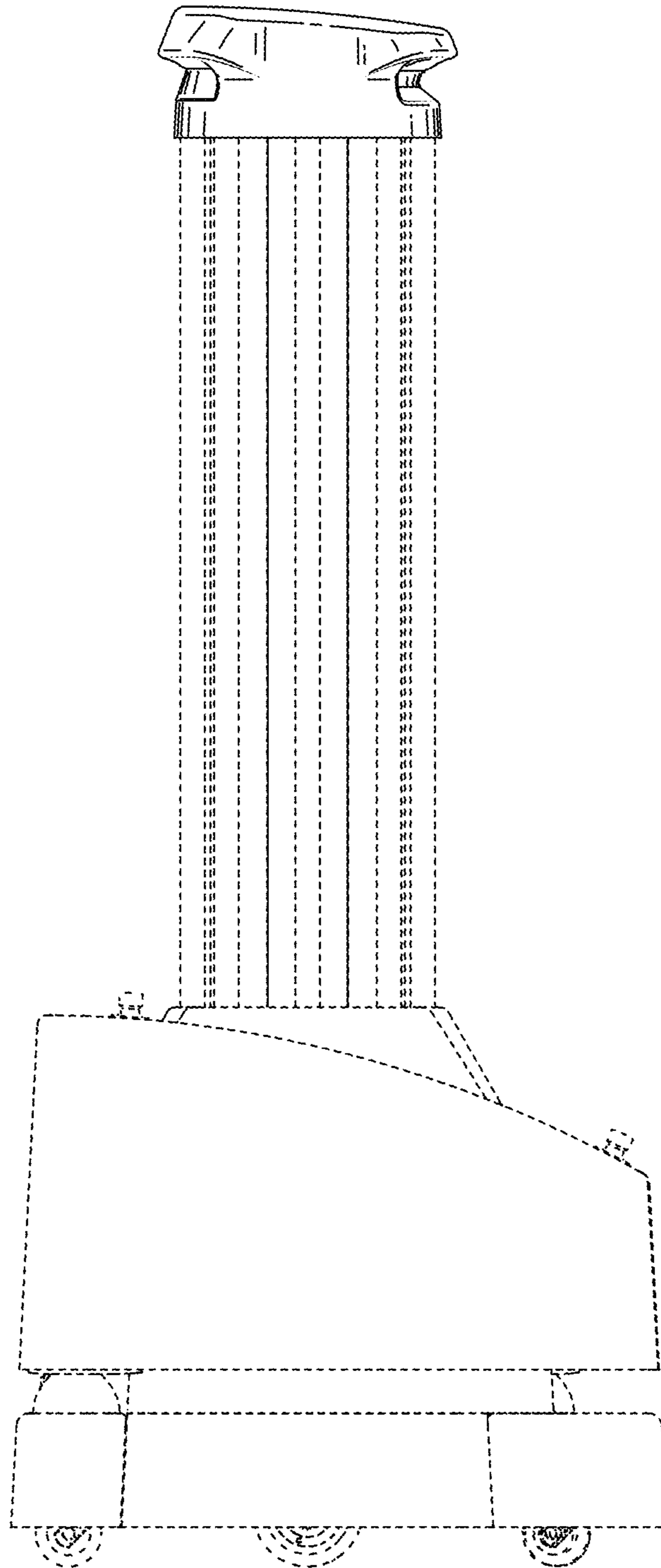


FIG. 6

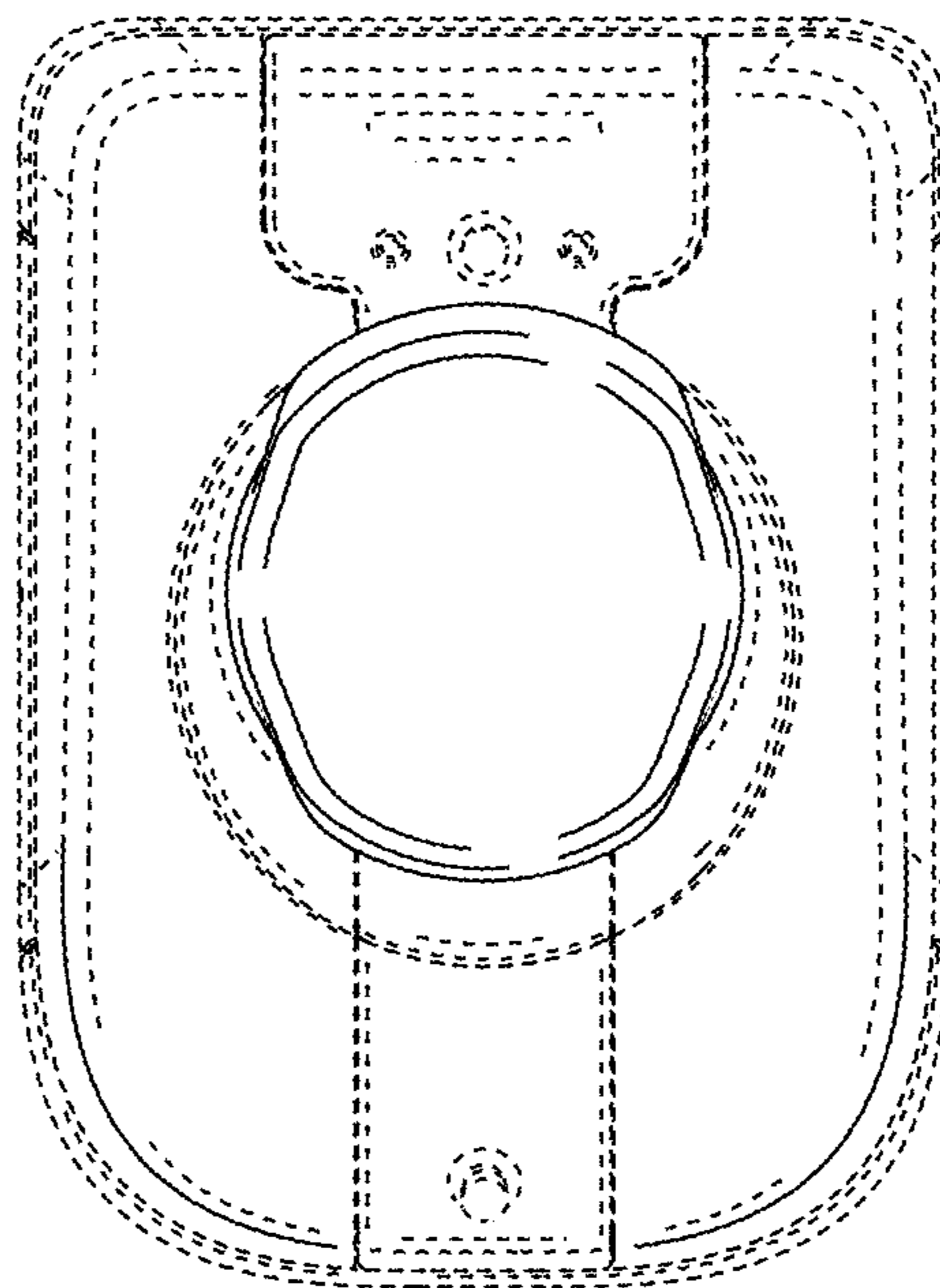


FIG. 7

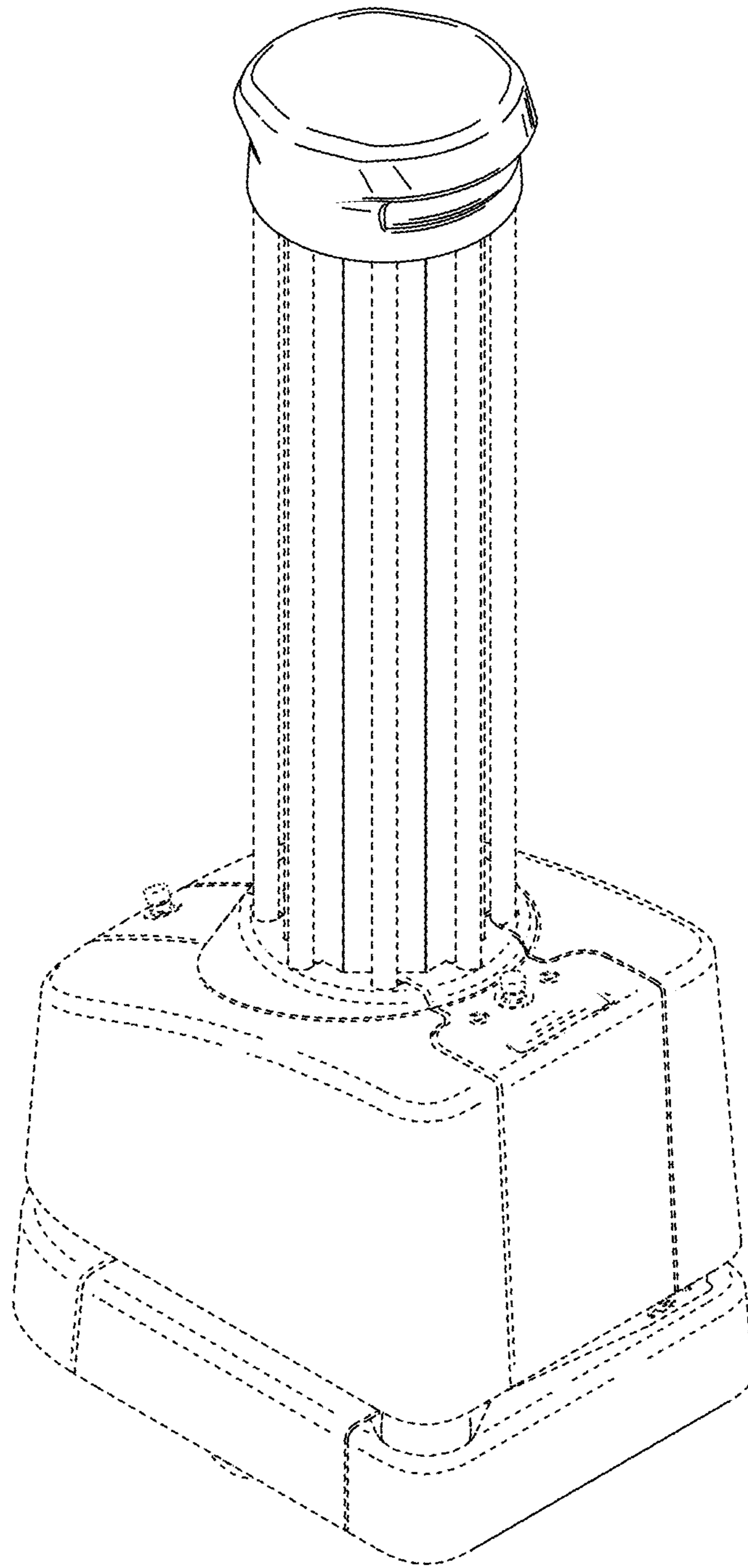


FIG. 8

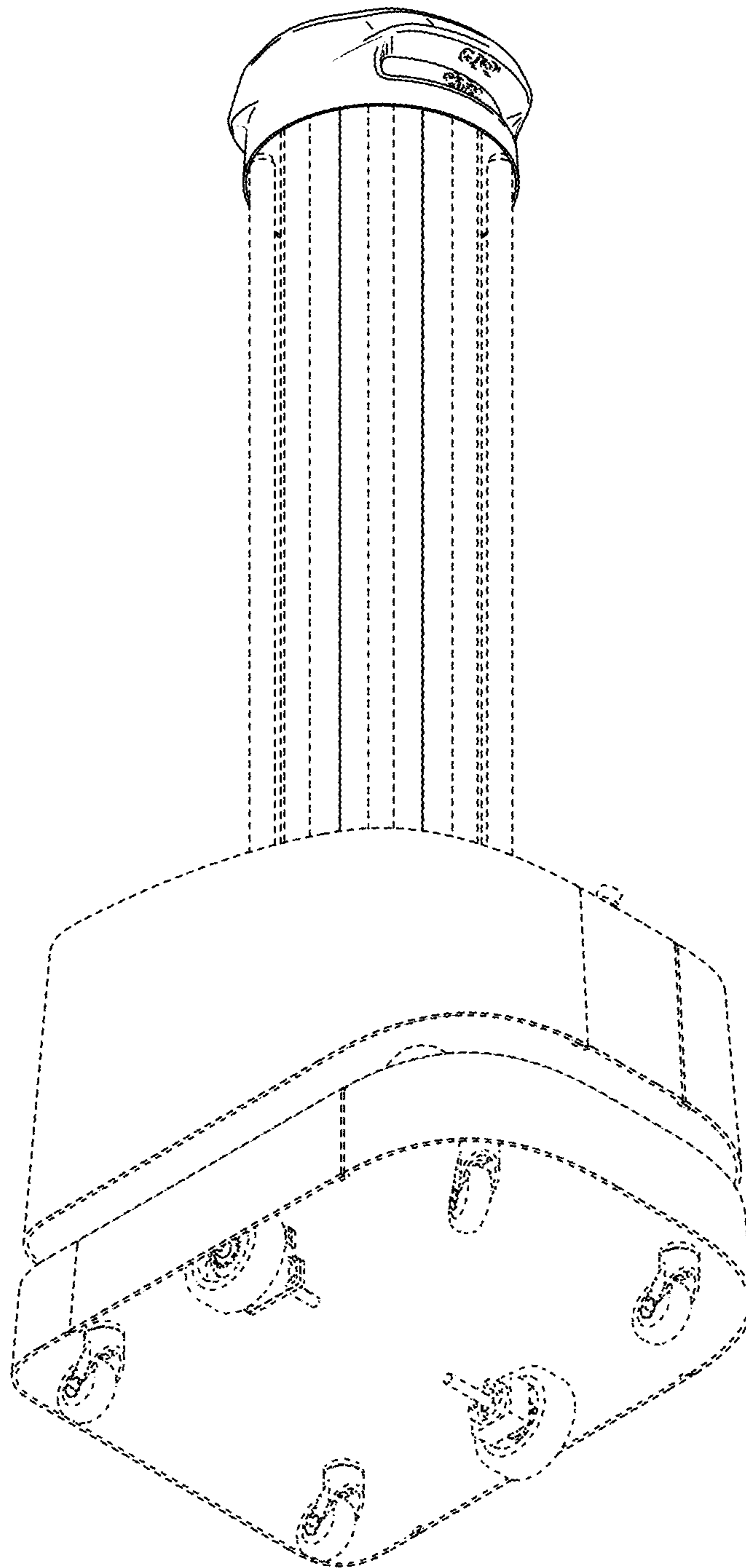


FIG. 9

