



US00D976297S

(12) **United States Design Patent** (10) **Patent No.:** **US D976,297 S**
Tarruell Tibau (45) **Date of Patent:** **** Jan. 24, 2023**

(54) **PACKAGING MACHINE**
(71) Applicant: **BLISTER APLICACIONES, S.L.**,
Caldes de Montbui (ES)
(72) Inventor: **Marc Tarruell Tibau**, Barcelona (ES)
(73) Assignee: **BLISTER APLICACIONES, S.L.**,
Caldes de Montbui (ES)
(**) Term: **15 Years**
(21) Appl. No.: **35/511,315**
(22) Filed: **Jan. 19, 2021**
(80) **Hague Agreement Data**
Int. Filing Date: **Jan. 19, 2021**
Int. Reg. No.: **DM/212418**
Int. Reg. Date: **Jan. 19, 2021**
Int. Reg. Pub. Date: **Feb. 5, 2021**
(51) **LOC (14) Cl.** **15-10**
(52) **U.S. Cl.**
USPC **D15/145**
CPC **B65B 53/06** (2013.01)
(58) **Field of Classification Search**
USPC D15/122, 145-147, 199; D18/53, 59,
D18/35.1, 99; D23/315; D24/159, 231,
D24/234; 156/538, 539, 556, 580, 583.1
CPC B65B 53/06; B65B 59/00; B65B 59/001;
B65B 59/003; B65B 19/00; B65B 1/00;
B65B 65/003
See application file for complete search history.

(56) **References Cited**
U.S. PATENT DOCUMENTS
D301,890 S * 6/1989 Silbersky D15/145
D340,937 S * 11/1993 Seger D15/146

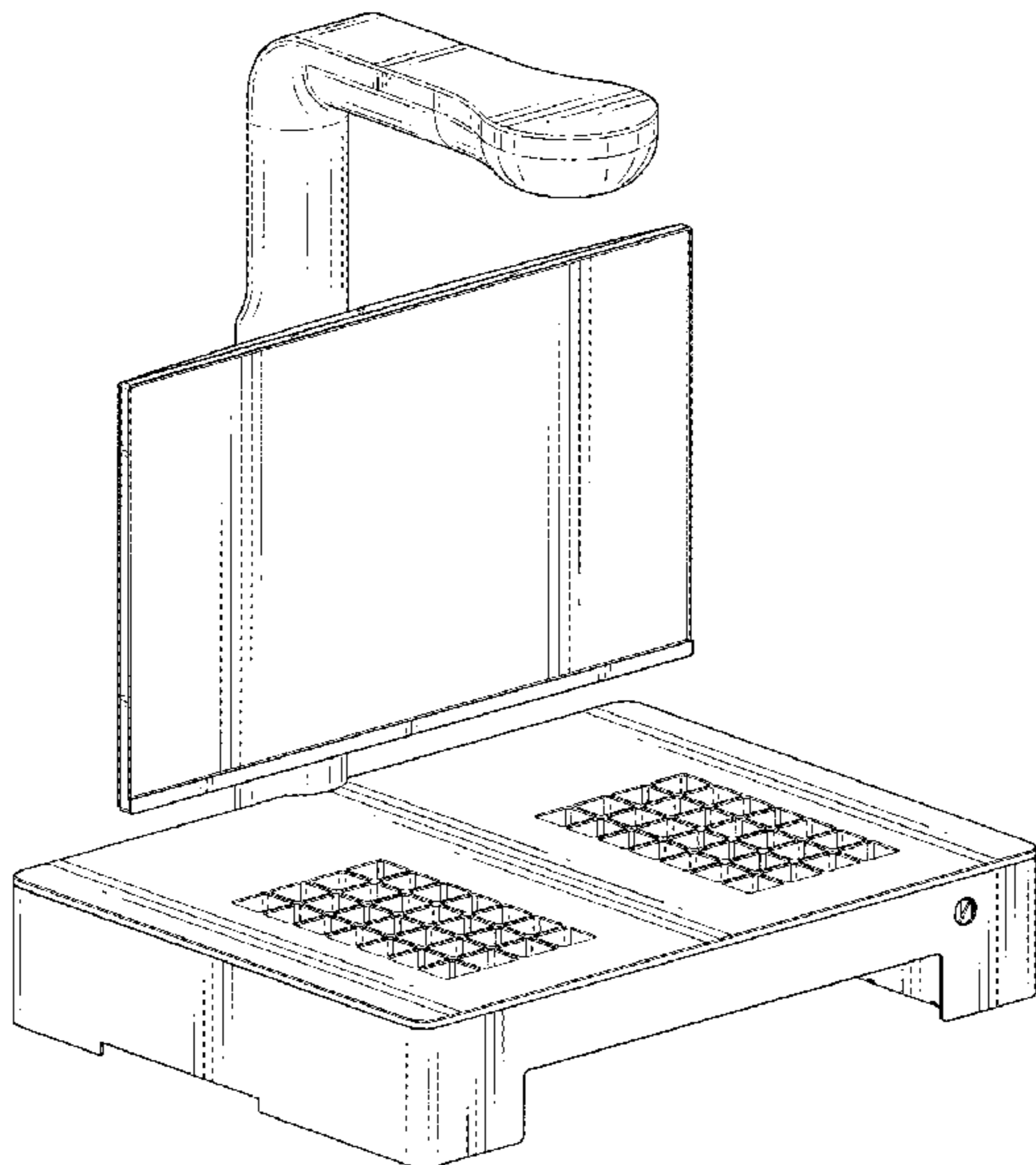
5,997,688 A * 12/1999 Wawrzyniak B29C 66/849
156/583.1
D587,734 S * 3/2009 Favale D15/146
D597,572 S * 8/2009 Tsai D15/146
D618,716 S * 6/2010 Huang D15/146
D633,118 S * 2/2011 Beatty D15/146
D678,375 S * 3/2013 Abrams, Jr. D15/145
D727,382 S * 4/2015 Jenkins D15/146
D741,386 S * 10/2015 Schreiber D15/145
D750,675 S * 3/2016 Fagerberg D15/146
D774,577 S * 12/2016 Rausch D15/146
D836,689 S * 12/2018 Helm D15/145
D837,850 S * 1/2019 Longo D15/145
D839,938 S * 2/2019 Longo D15/145
D844,036 S * 3/2019 Gorbatenko D15/145
D873,876 S * 1/2020 Bellante D15/145
D915,482 S * 4/2021 Arker D15/145
D916,155 S * 4/2021 Arker D15/145
D919,682 S * 5/2021 Longo D15/145
D921,729 S * 6/2021 Longo D15/145
D922,461 S * 6/2021 Singh D15/145
2002/0014313 A1 * 2/2002 Green B29C 65/18
156/583.1

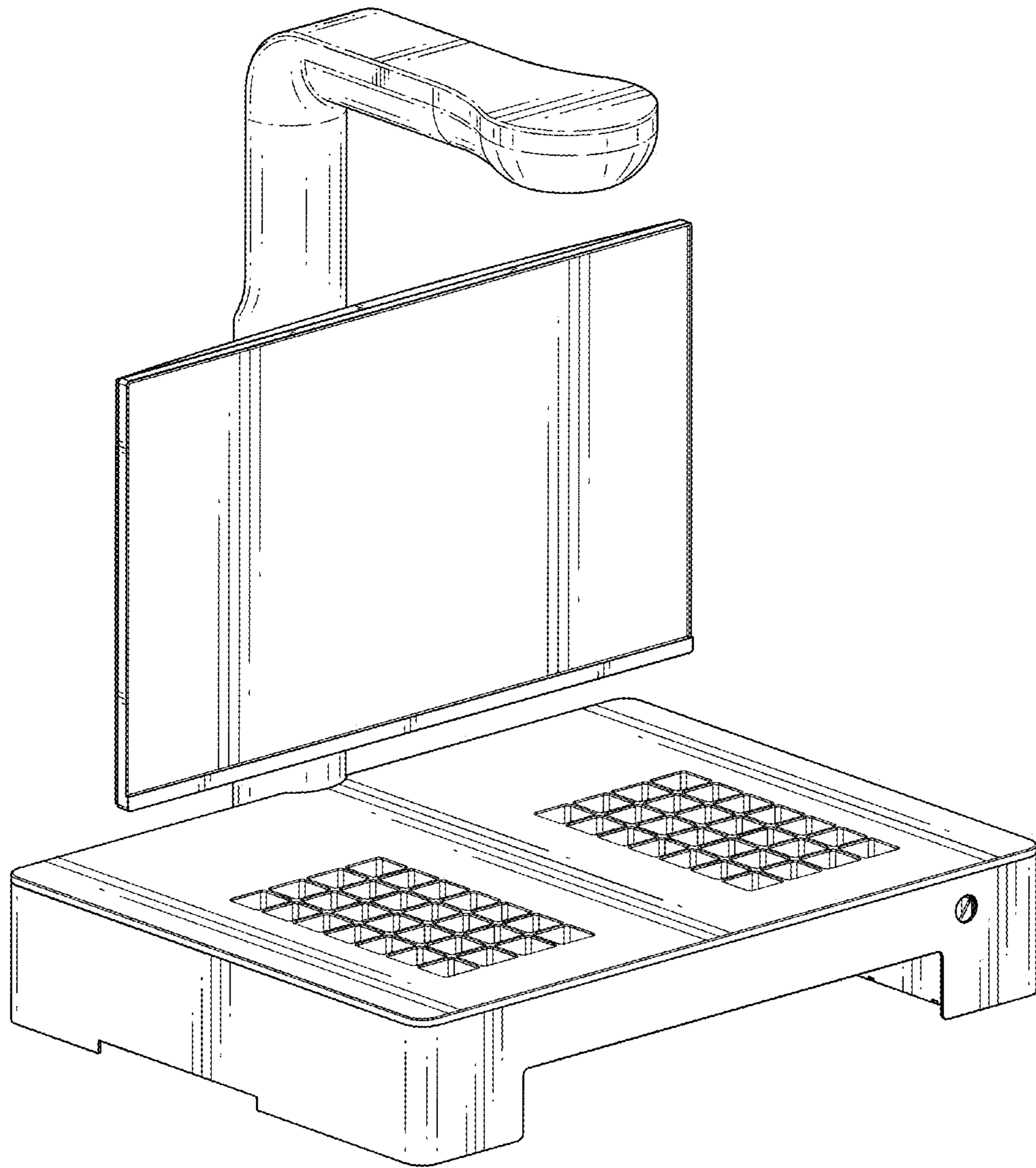
* cited by examiner
Primary Examiner — Richard E Chilcot
(74) *Attorney, Agent, or Firm* — Patrick Stanzione;
Stanzione & Associates, PLLC

(57) **CLAIM**
The ornamental design for a packaging machine, as shown
and described.

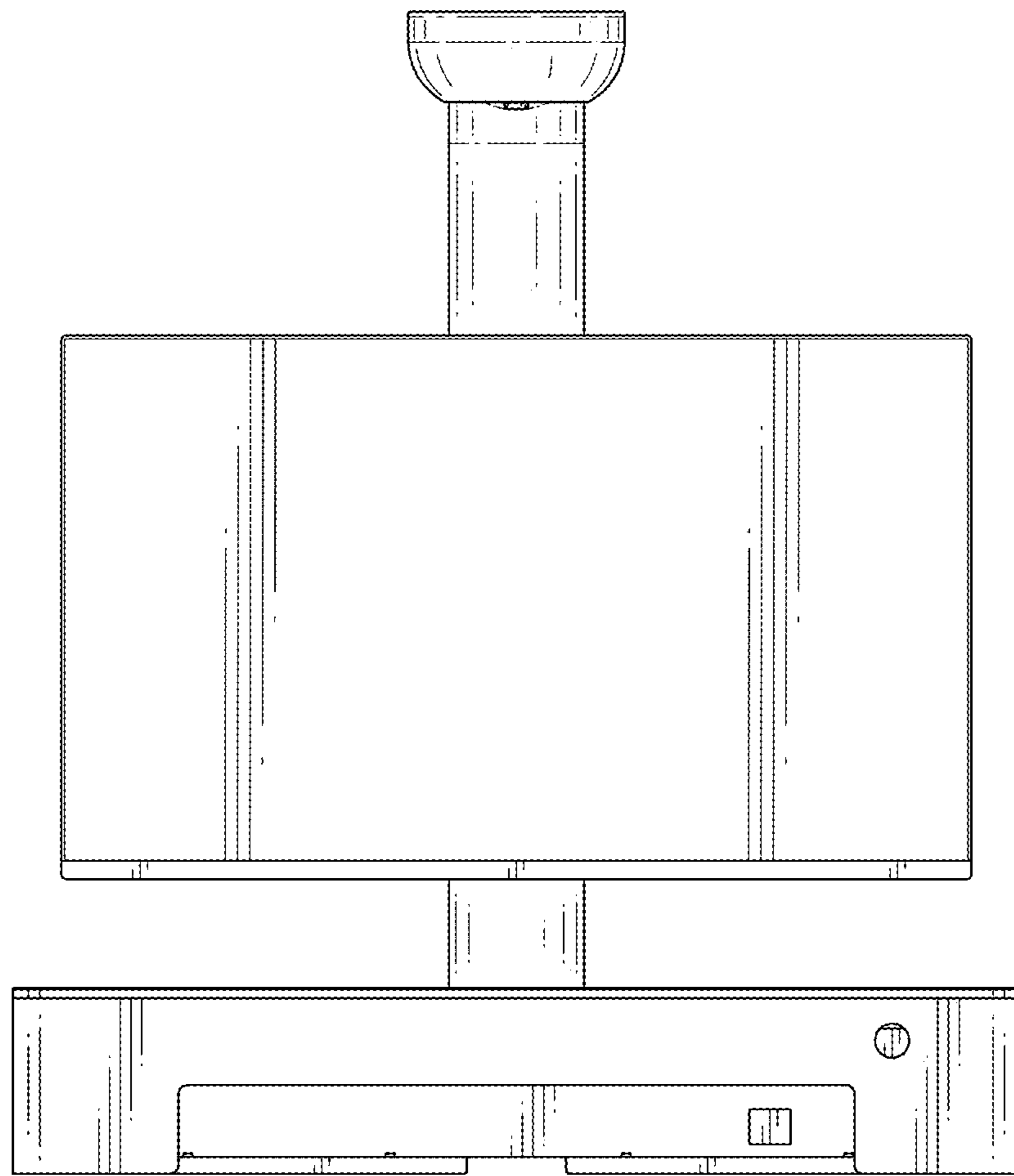
DESCRIPTION
1. Packaging machine
1.1 : Perspective
1.2 : Front
1.3 : Back
1.4 : Right
1.5 : Left
1.6 : Top
1.7 : Bottom

1 Claim, 7 Drawing Sheets

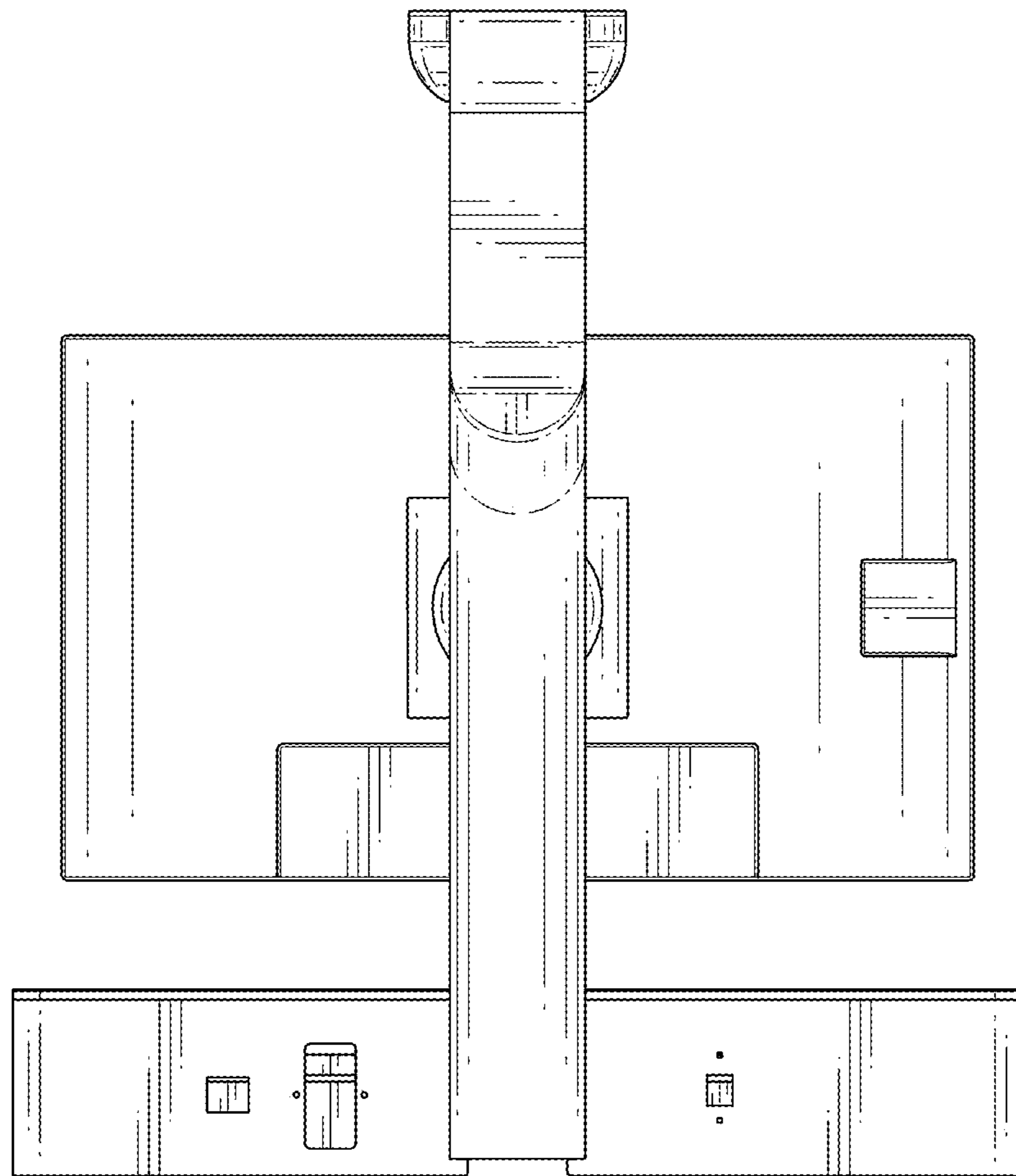




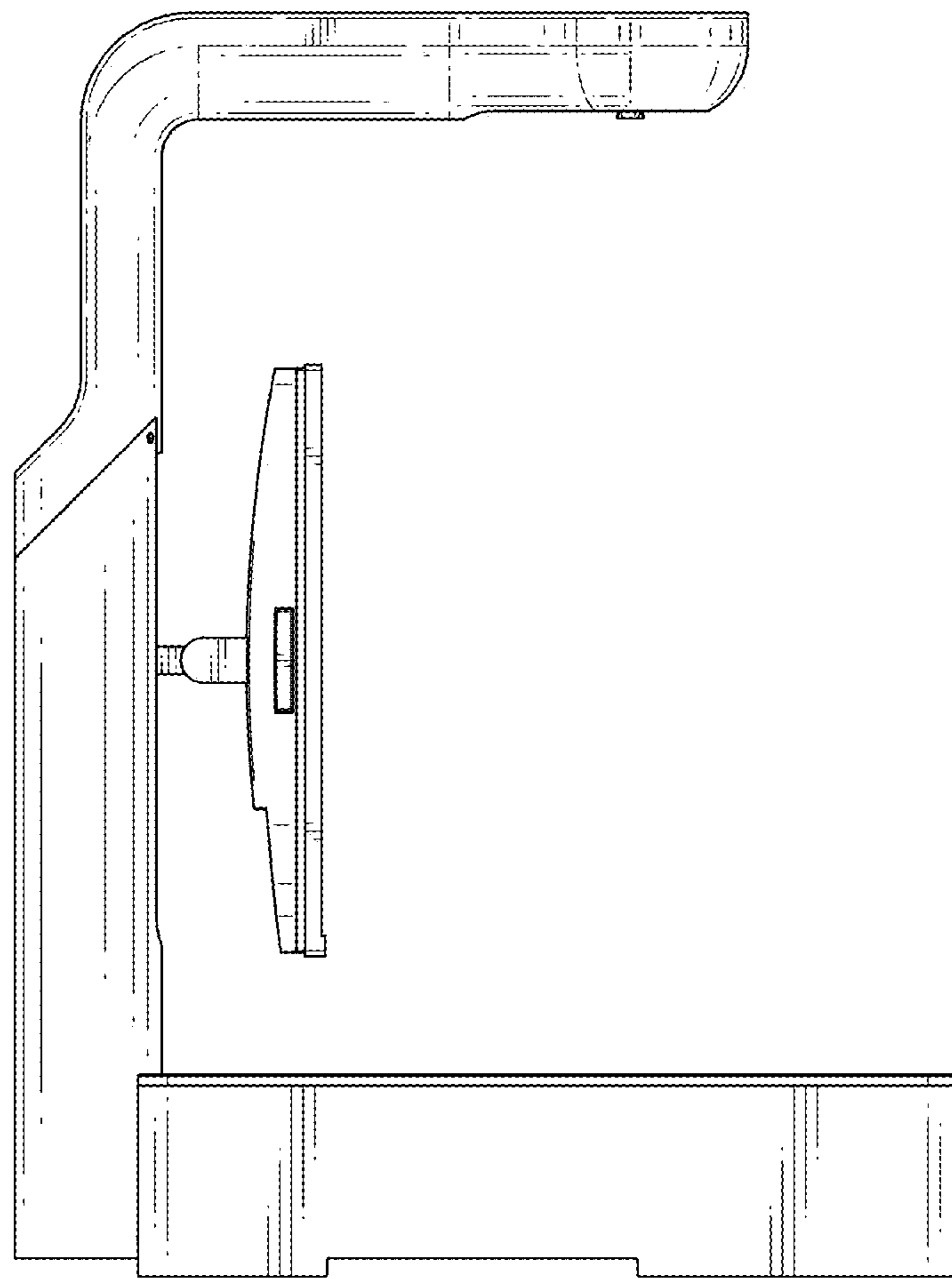
1.1



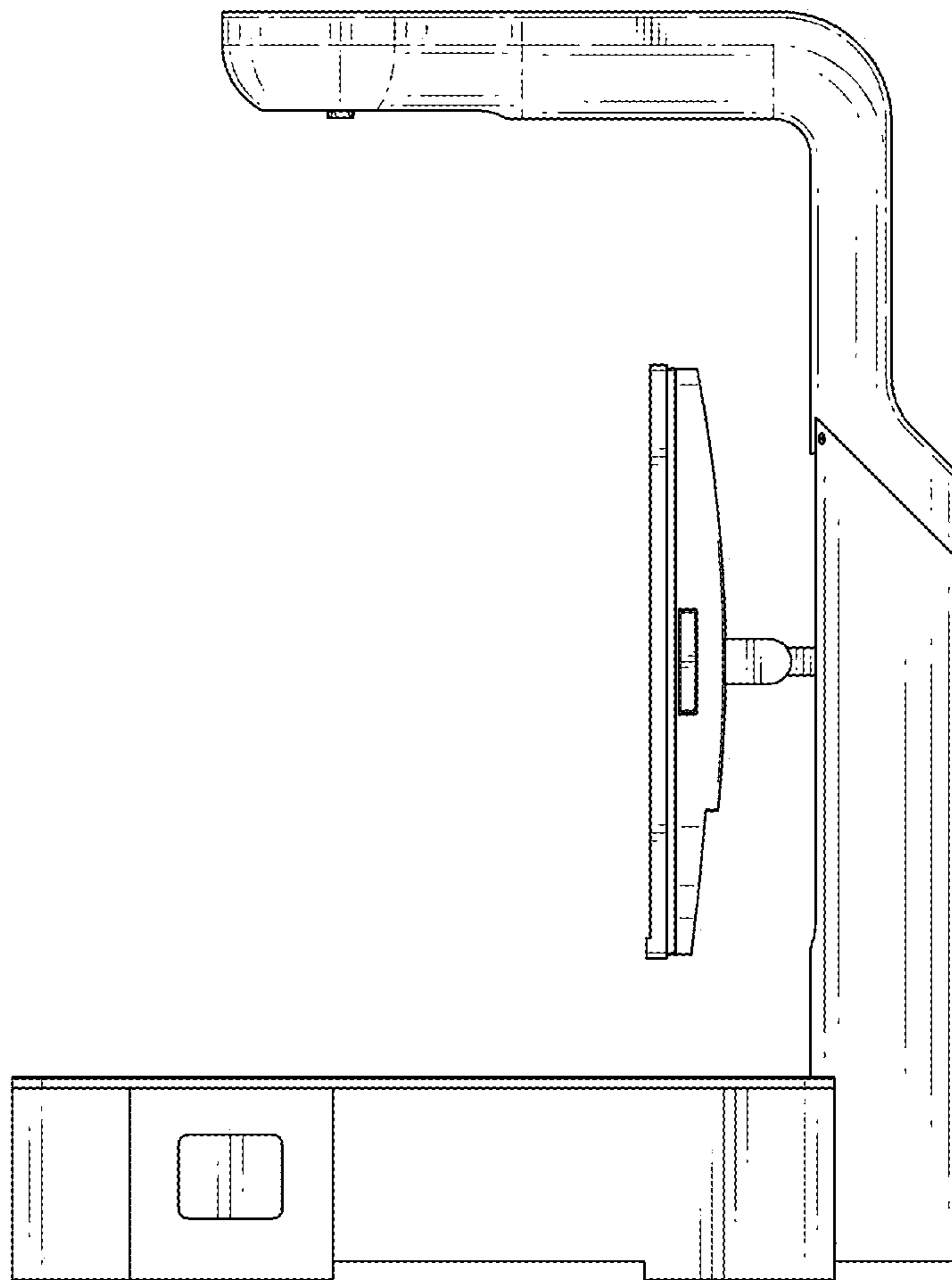
1.2



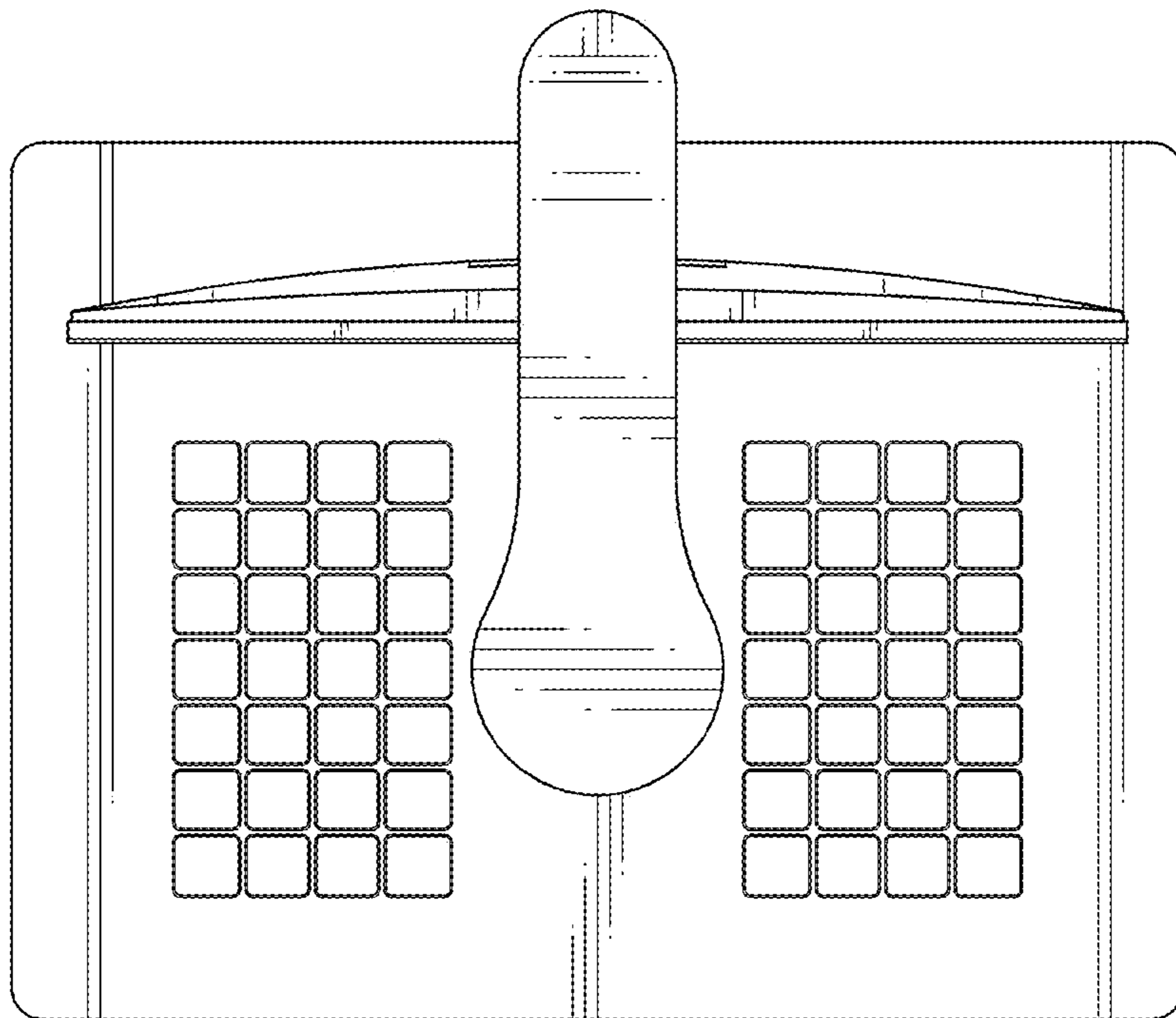
1.3



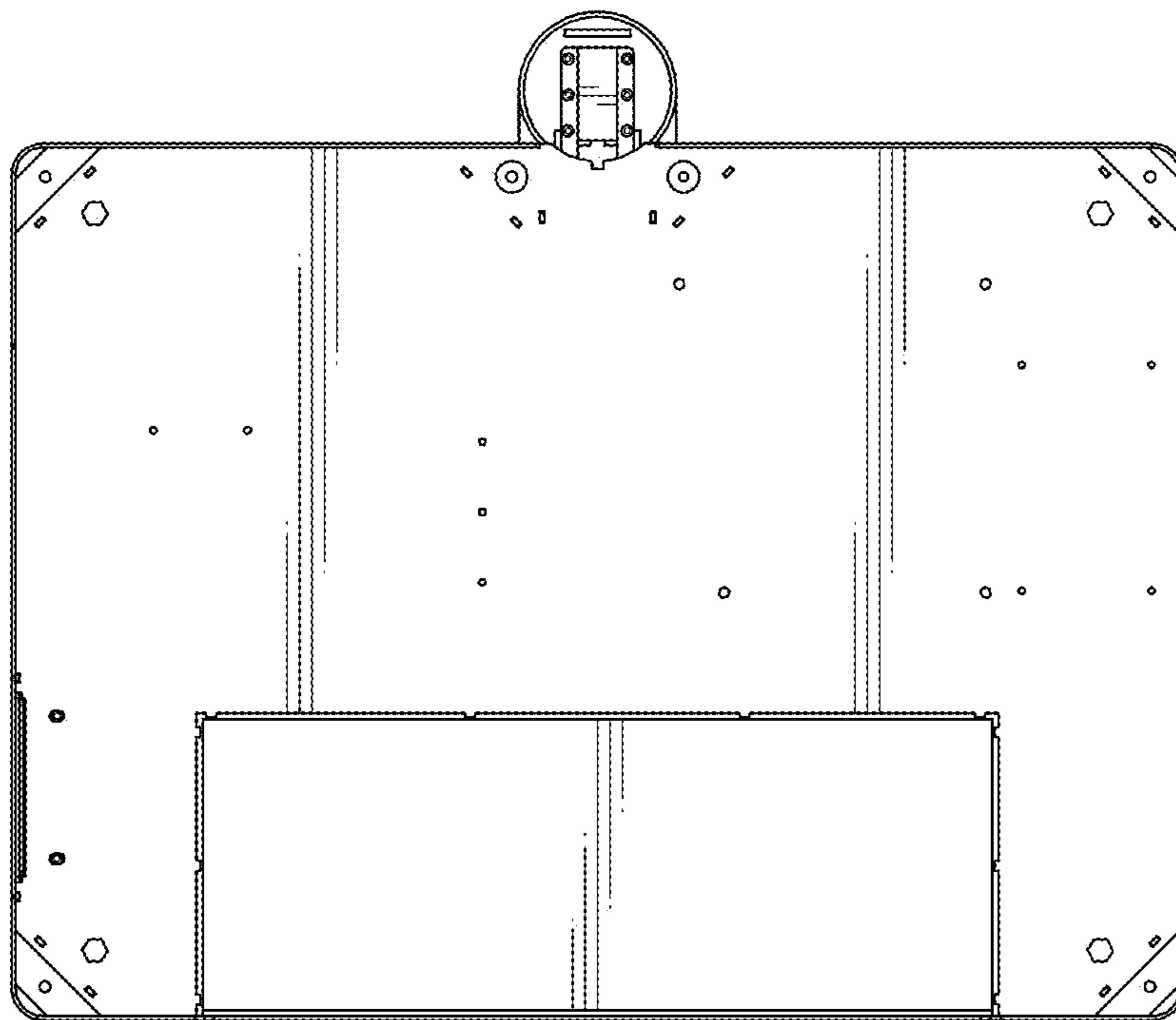
1.4



1.5



1.6



1.7