



US00D976296S

(12) **United States Design Patent**
Epstein

(10) **Patent No.:** **US D976,296 S**

(45) **Date of Patent:** **** Jan. 24, 2023**

(54) **CHAIN SPRING PIN FOR A FOOD PACKAGING MACHINE**

(71) Applicant: **Moshe Epstein**, Northbrook, IL (US)

(72) Inventor: **Moshe Epstein**, Northbrook, IL (US)

(**) Term: **15 Years**

(21) Appl. No.: **29/799,286**

(22) Filed: **Jul. 13, 2021**

(51) **LOC (14) Cl.** **15-10**

(52) **U.S. Cl.**
USPC **D15/145**

(58) **Field of Classification Search**
USPC D3/207; D8/499; D9/761, 499;
D15/145-146, 199
CPC A22C 7/00; A22C 17/0066; B26D 7/30;
B26D 7/0641; B26D 7/01; B26D 7/32;
B26D 5/12; B26D 7/0616
See application file for complete search history.

(56) **References Cited**

U.S. PATENT DOCUMENTS

D156,228 S *	11/1949	Gaudriot	D3/300
D209,871 S *	1/1968	Grebow	D9/447
D220,421 S *	4/1971	Zutter	D8/29
D261,674 S *	11/1981	Nice	D15/9.1
4,792,713 A *	12/1988	Bush	H02K 1/28 310/216.124
D299,353 S *	1/1989	Goldstein	D15/145
D299,654 S *	1/1989	Goldstein	D15/145
D308,600 S *	6/1990	Wischnowsky	D3/207
5,105,570 A *	4/1992	Lishness	F41A 19/30 267/169
5,125,286 A *	6/1992	Wilson	B62K 21/26 473/298

D357,357 S *	4/1995	Ferber	D3/315
D375,967 S *	11/1996	Michener	D15/150
D381,574 S *	7/1997	Kruszka	D8/499
D630,086 S *	1/2011	Chou	D8/356
D865,015 S *	10/2019	Huang	D8/358
D872,564 S *	1/2020	McKee	D8/358
D876,213 S *	2/2020	Ramirez	D8/499
2016/0289033 A1 *	10/2016	Love	B65H 75/185
2016/0347574 A1 *	12/2016	Yu Chen	B65B 67/085

OTHER PUBLICATIONS

“Pin Oven Chains” [online]. IWIS. [Retrieved on Sep. 7, 2022]. Retrieved from the Internet: <<https://www.iwis.com/en-gb/products-services/pin-oven-chains~p8827>>.*

* cited by examiner

Primary Examiner — Mojtaba Tehrani
(74) *Attorney, Agent, or Firm* — Steven Ivy P.C.

(57) **CLAIM**

The ornamental design for a chain spring pin for a food packaging machine, as shown and described.

DESCRIPTION

FIG. 1 is a bottom, front, right, and perspective view of the chain spring pin for a food packaging machine showing my new design;

FIG. 2 is a right view thereof;

FIG. 3 is a left view thereof;

FIG. 4 is a front view thereof;

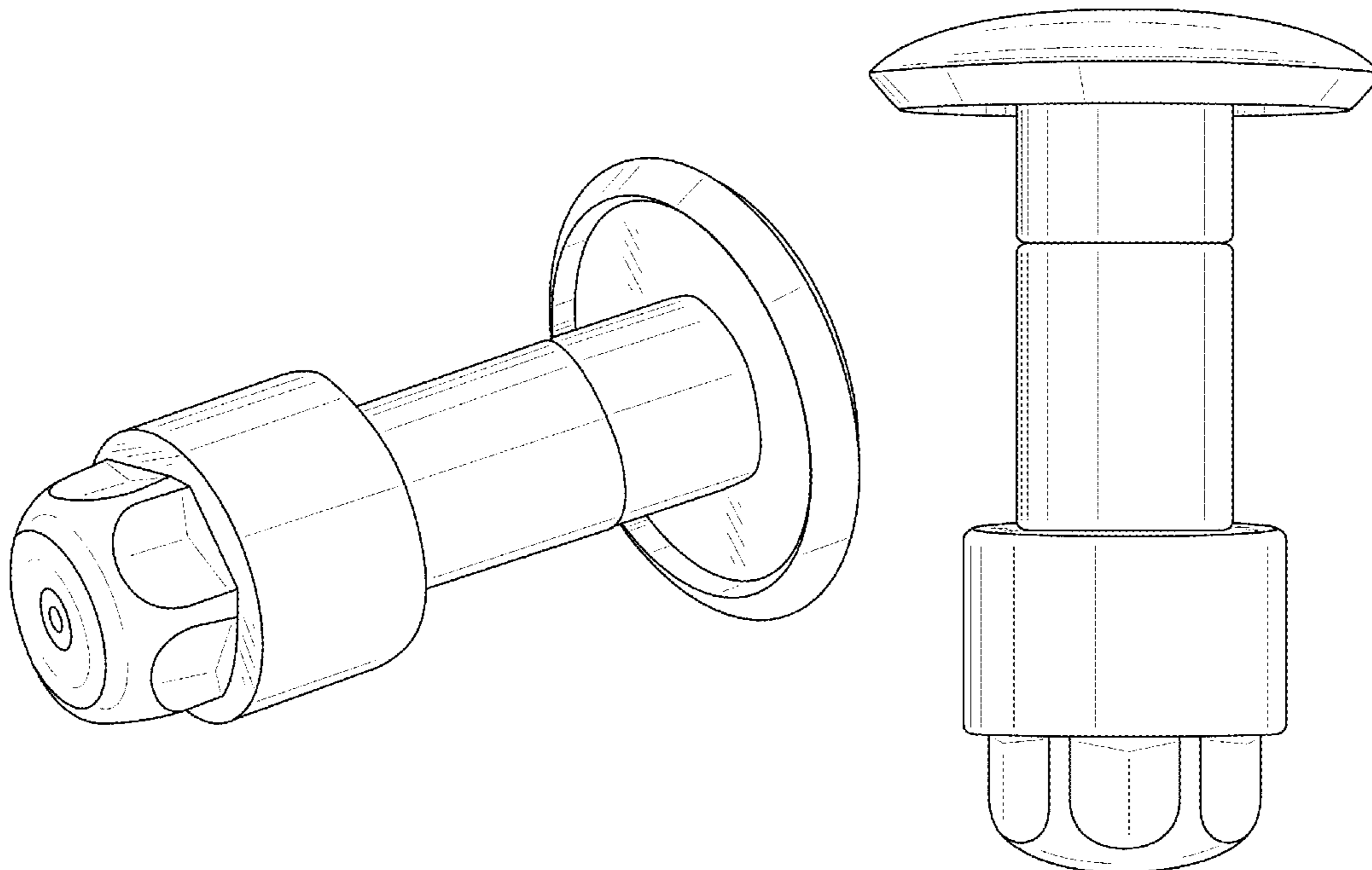
FIG. 5 is a back view thereof;

FIG. 6 is a top view thereof; and,

FIG. 7 is a bottom view thereof.

The broken line in the drawings disclosure identifies the unclaimed portion of the chain spring pin for a food packaging machine only and forms no part of the claimed design.

1 Claim, 7 Drawing Sheets



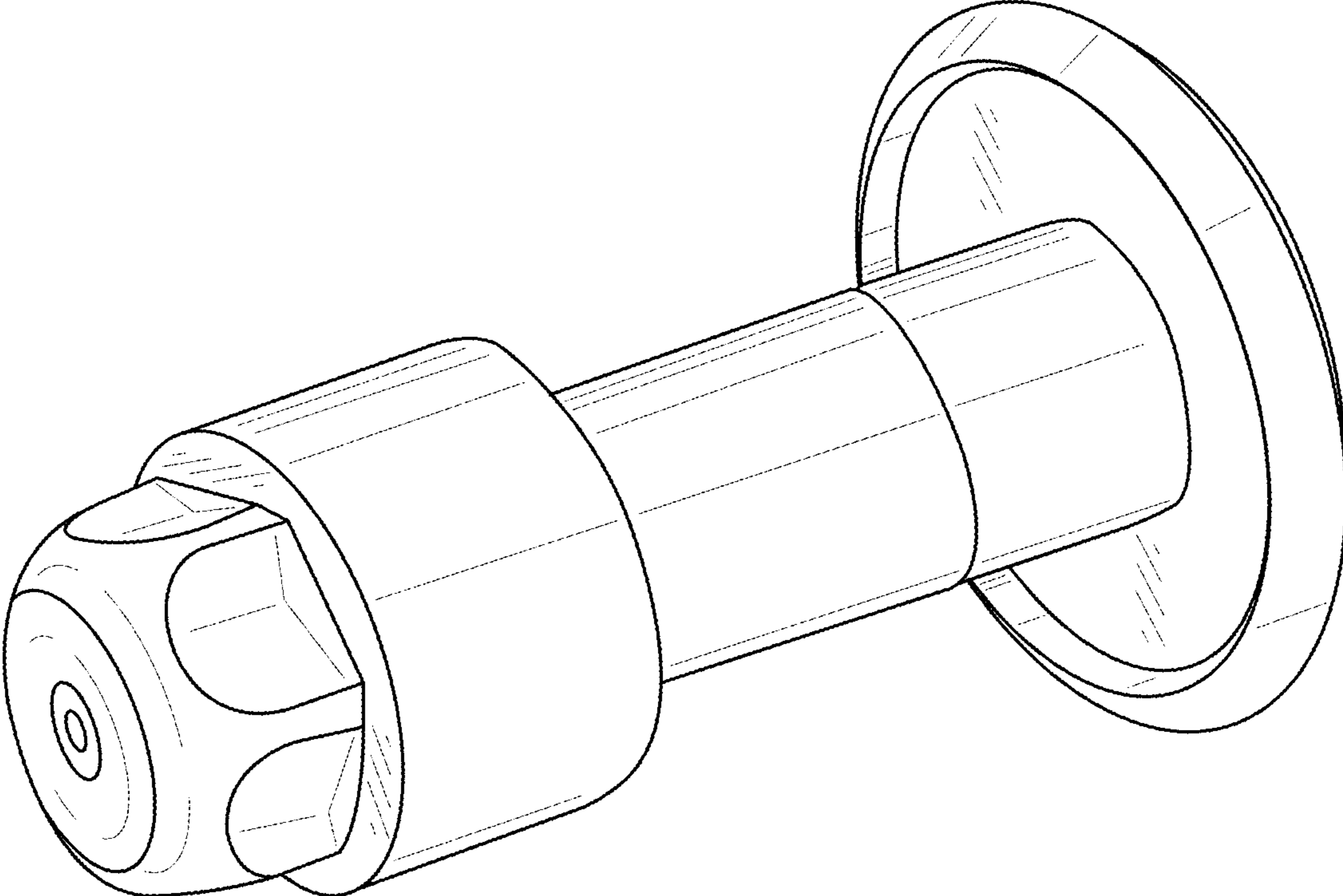


FIG. 1

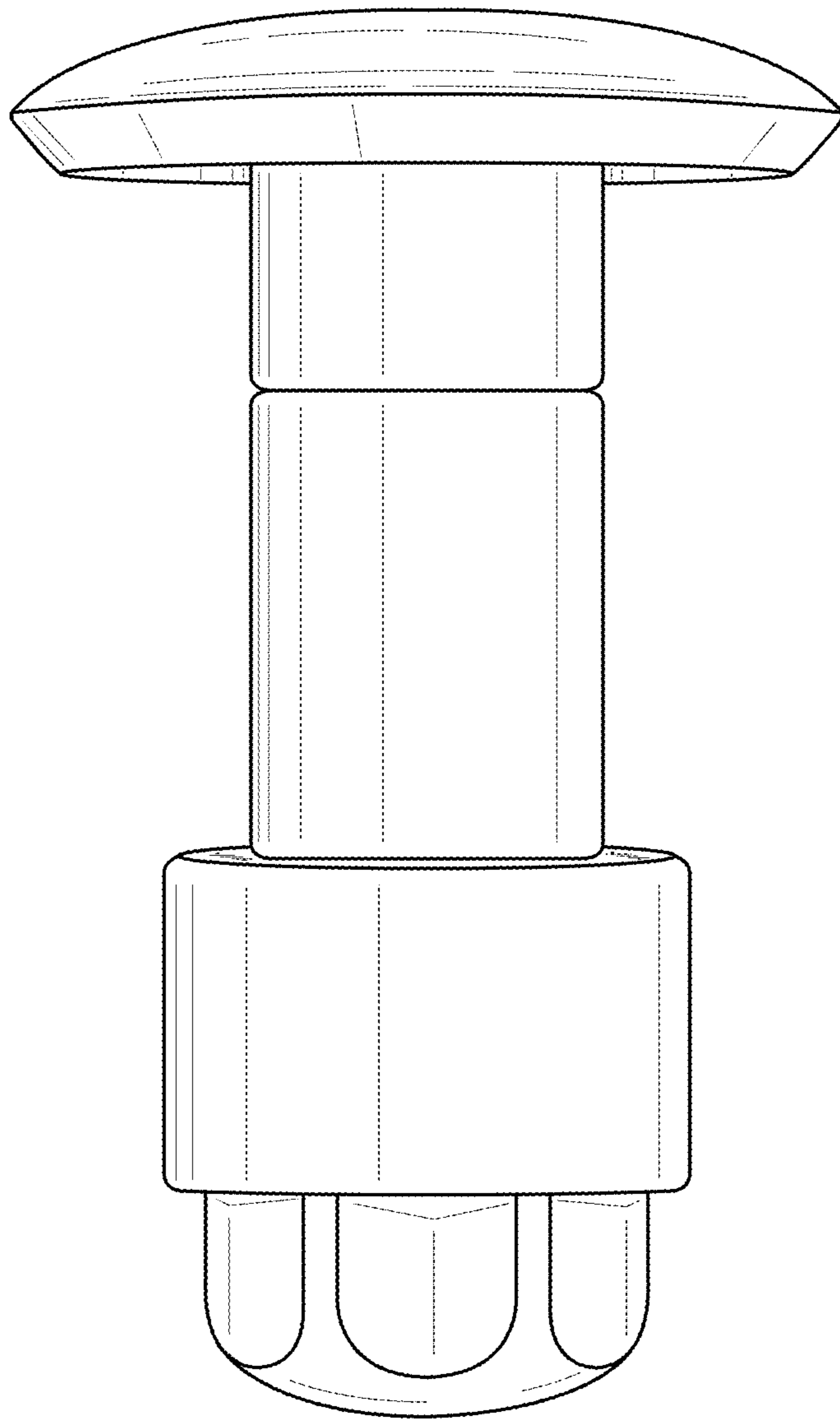


FIG. 2

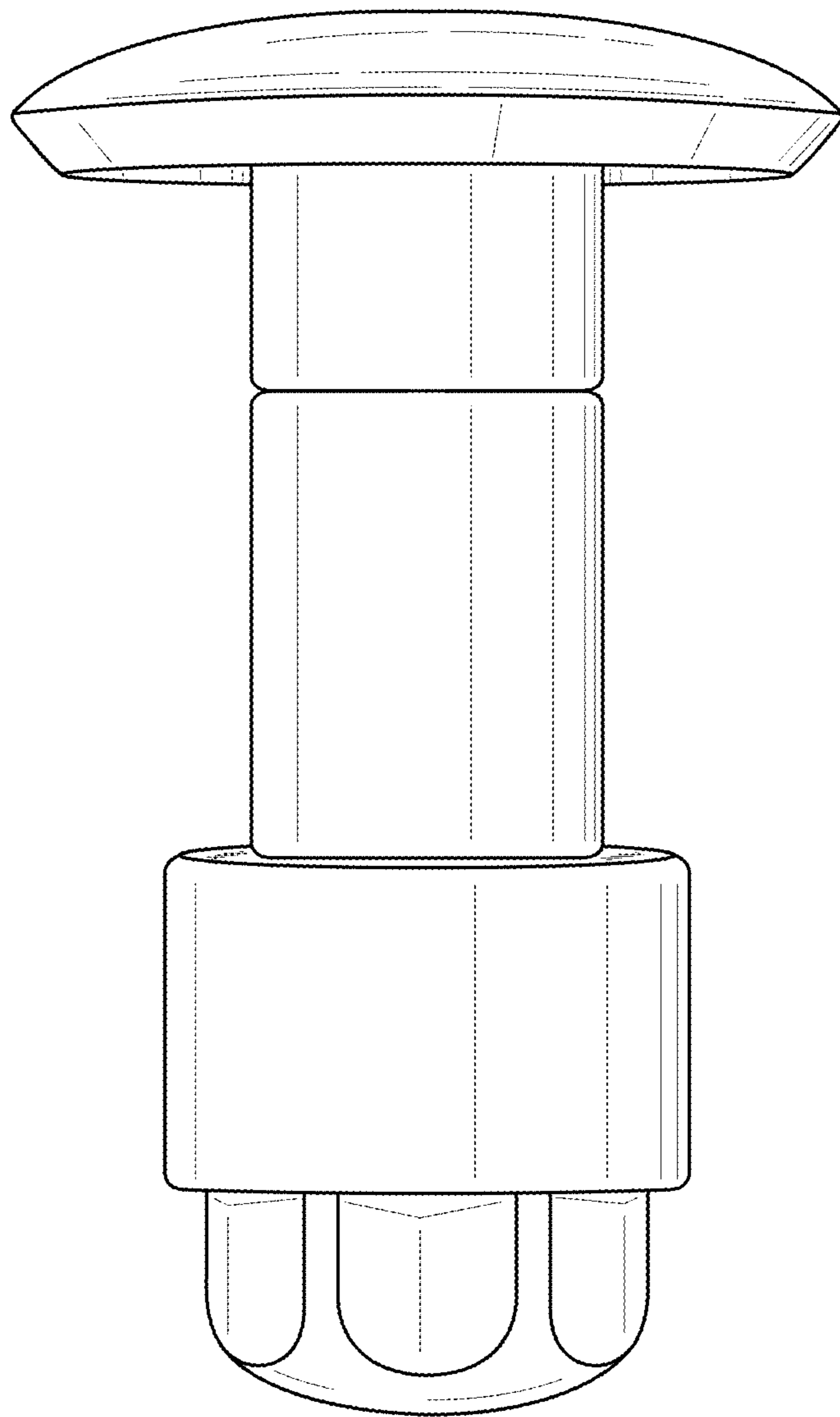


FIG. 3

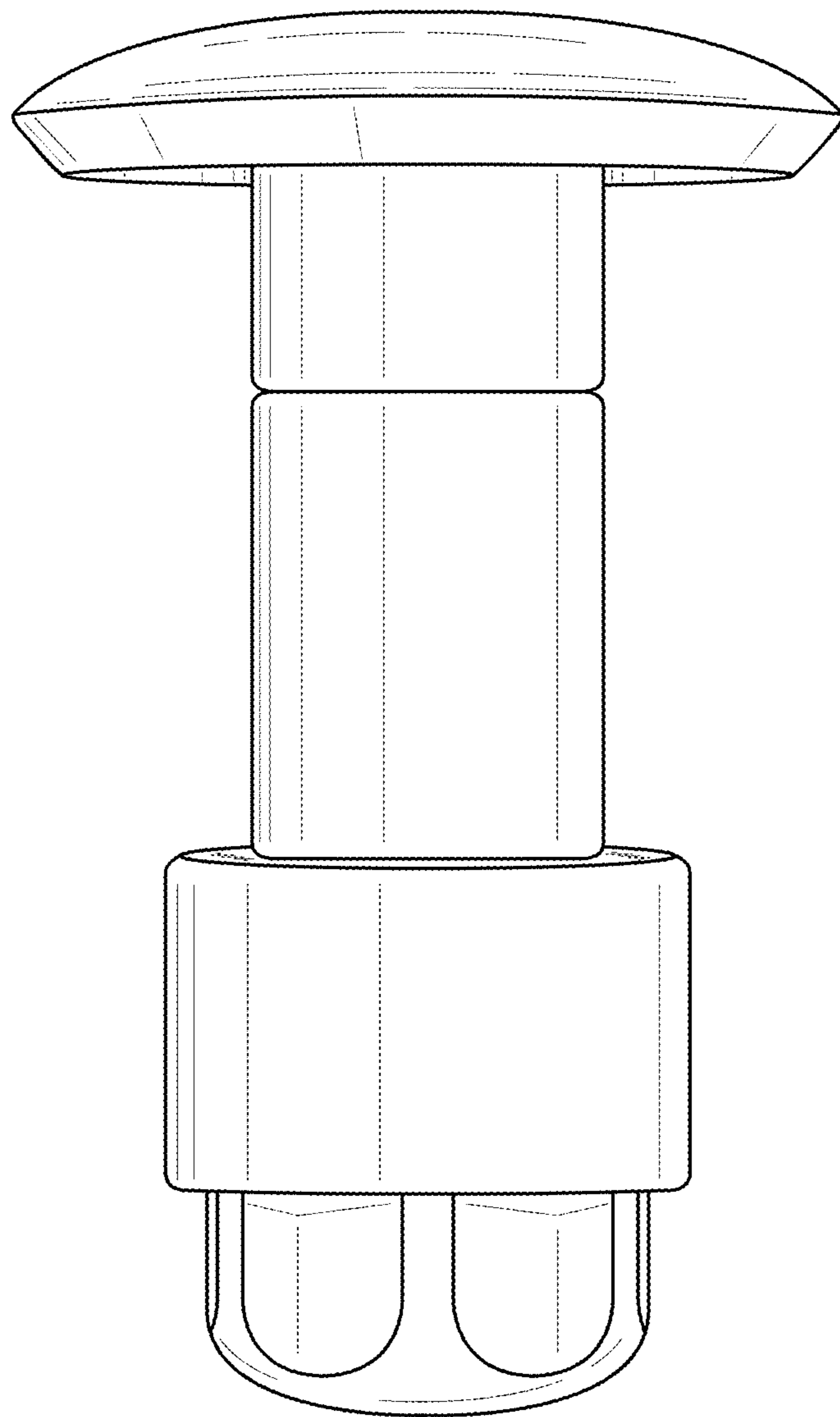


FIG. 4

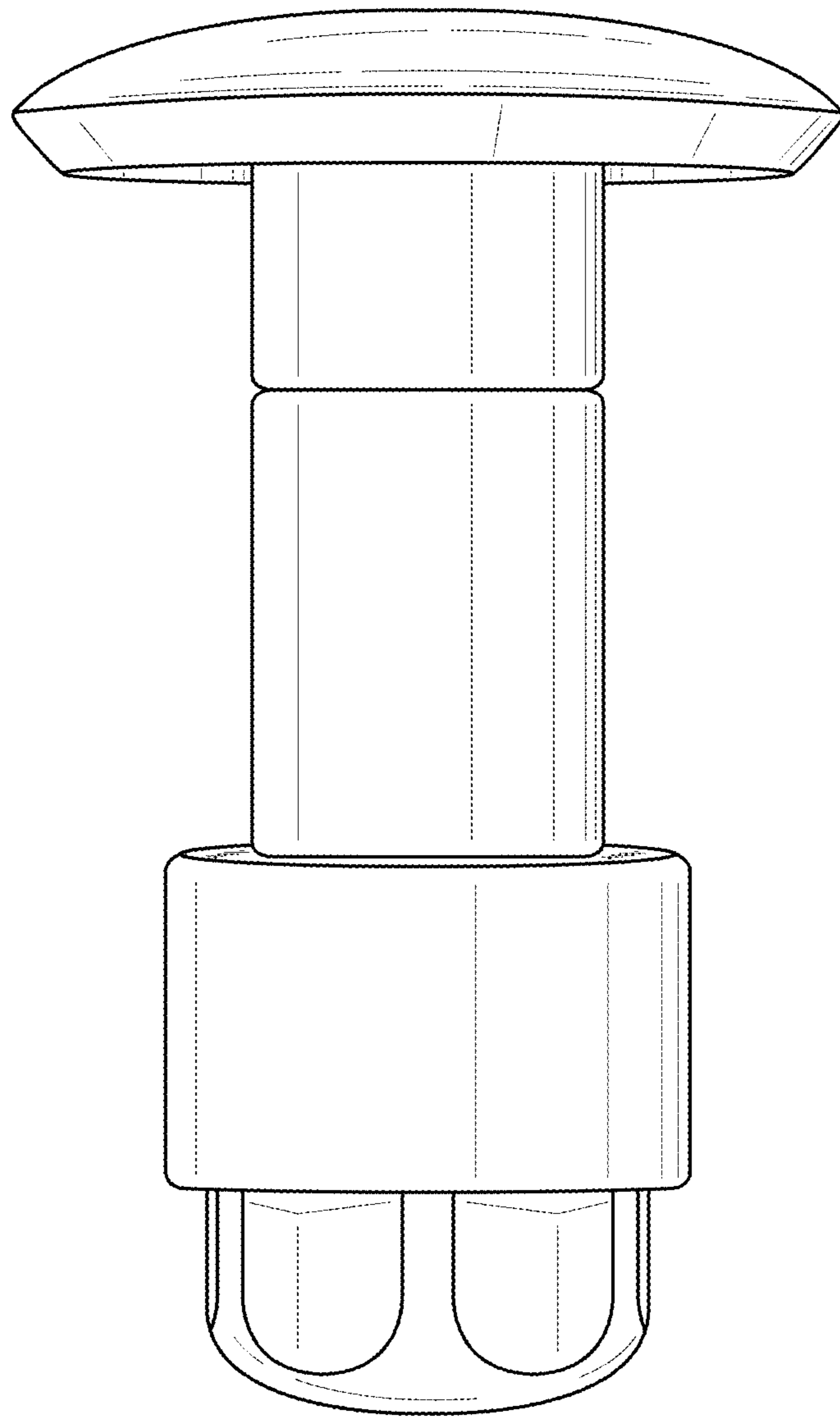


FIG. 5

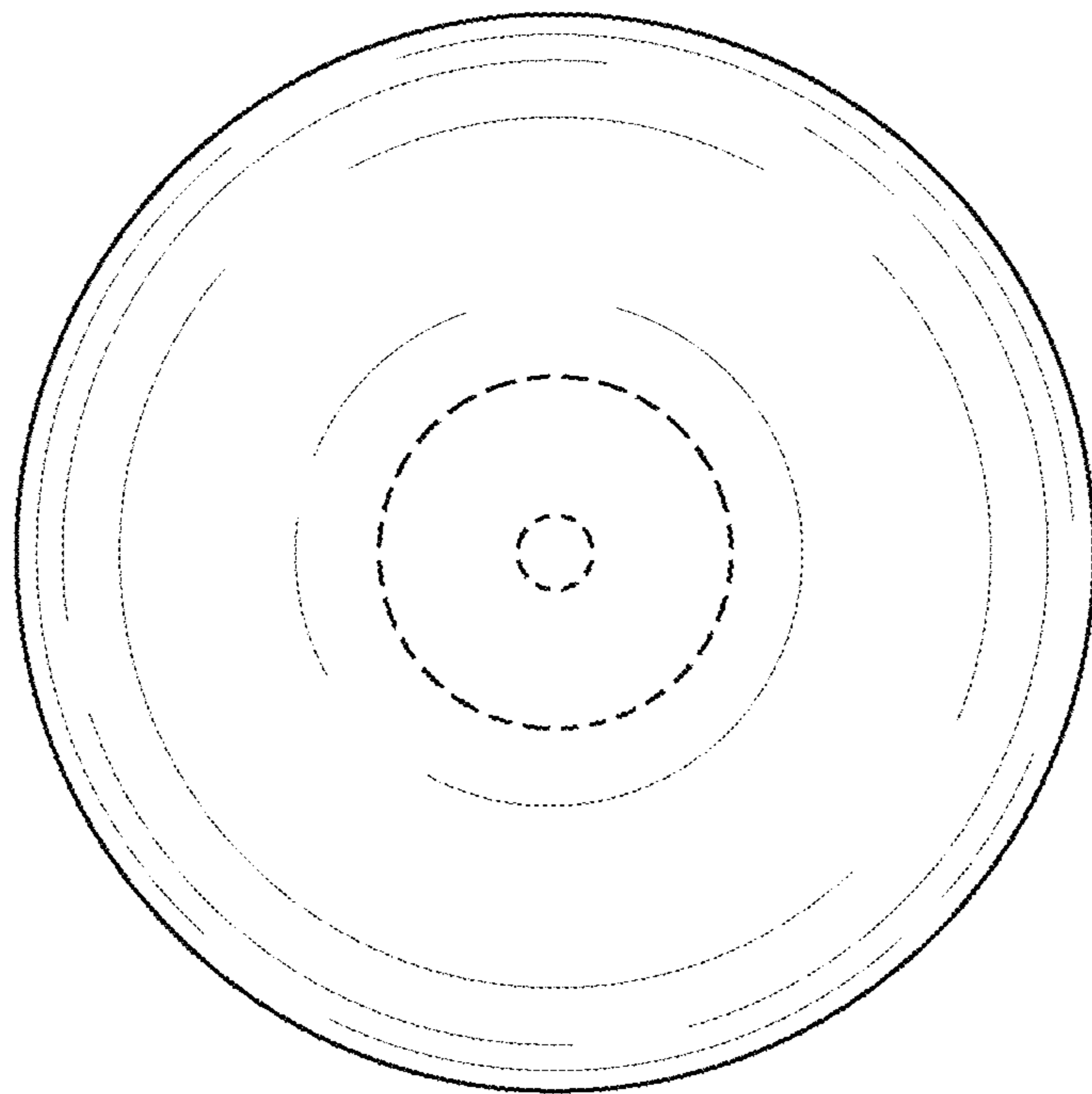


FIG. 6

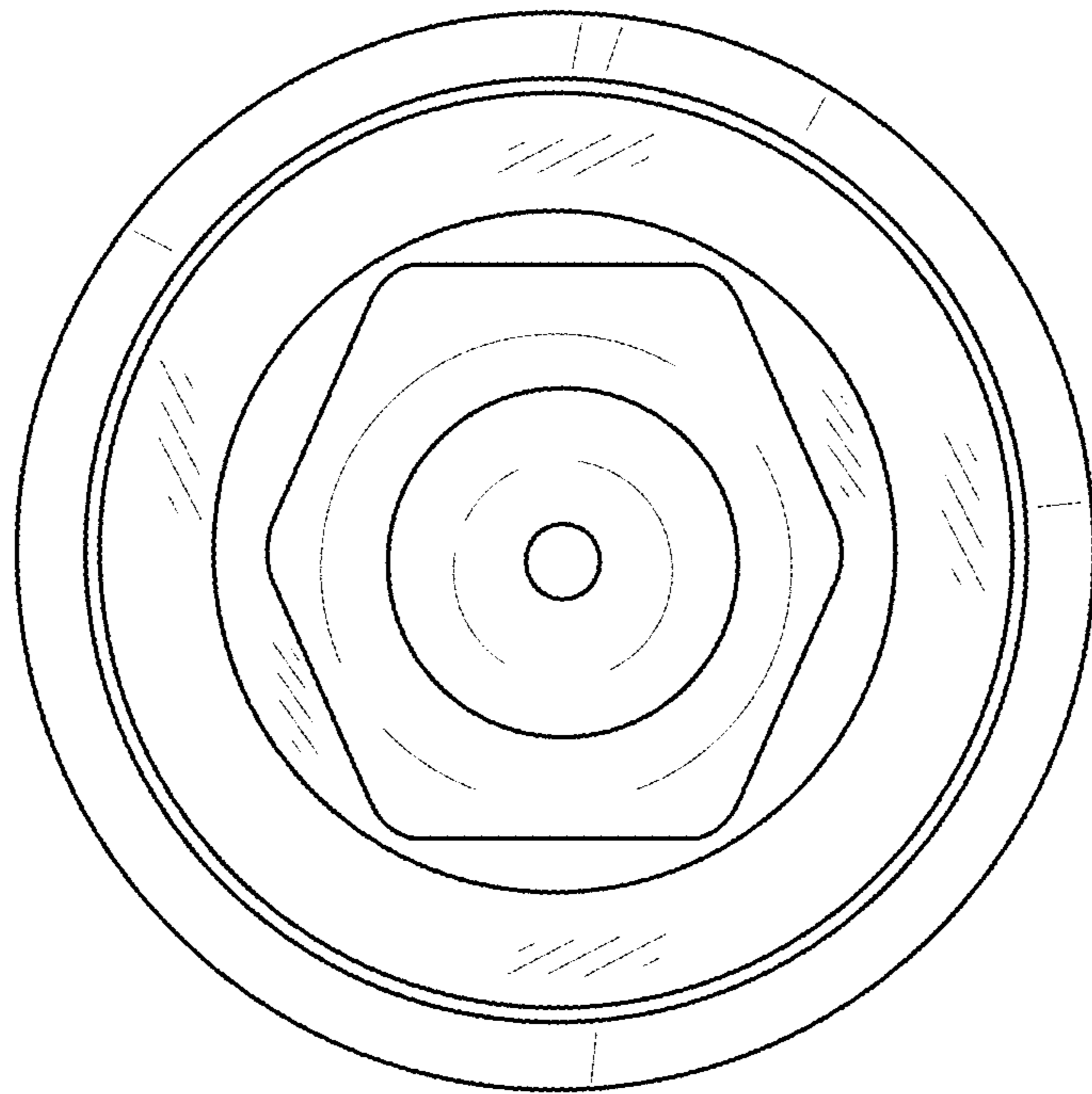


FIG. 7