

US00D976295S

(12) **United States Design Patent**
Ouyang

(10) **Patent No.:** **US D976,295 S**
(45) **Date of Patent:** **** Jan. 24, 2023**

(54) **ENGRAVING MACHINE**

(71) Applicant: **Shenzhen TwoTrees Technology Co., Ltd.**, Guangdong (CN)

(72) Inventor: **Zijia Ouyang**, Guangdong (CN)

(73) Assignee: **Shenzhen TwoTrees Technology Co., Ltd.**, Shenzhen (CN)

(**) Term: **15 Years**

(21) Appl. No.: **29/823,349**

(22) Filed: **Jan. 17, 2022**

(51) **LOC (14) Cl.** **15-09**

(52) **U.S. Cl.**
USPC **D15/144**

(58) **Field of Classification Search**
USPC D15/122, 127, 144, 144.1, 144.2; D8/98;
D18/34.3, 53, 57

(Continued)

(56) **References Cited**

U.S. PATENT DOCUMENTS

1,750,253 A * 3/1930 Adam G03B 27/20
355/85
4,095,633 A * 6/1978 Kimball B23Q 35/102
144/144.1

(Continued)

OTHER PUBLICATIONS

Two Trees, DIY Laser Cutter Machine Powerful Hobby Laser Engraver, (site visited Sep. 8, 2022), Two Trees 3D website, URL: <<https://twotrees3d.com/diy-laser-cutter-machine/>> (Year: 2022).*

(Continued)

Primary Examiner — Calvin E Vasant
Assistant Examiner — Mark T. Philipps

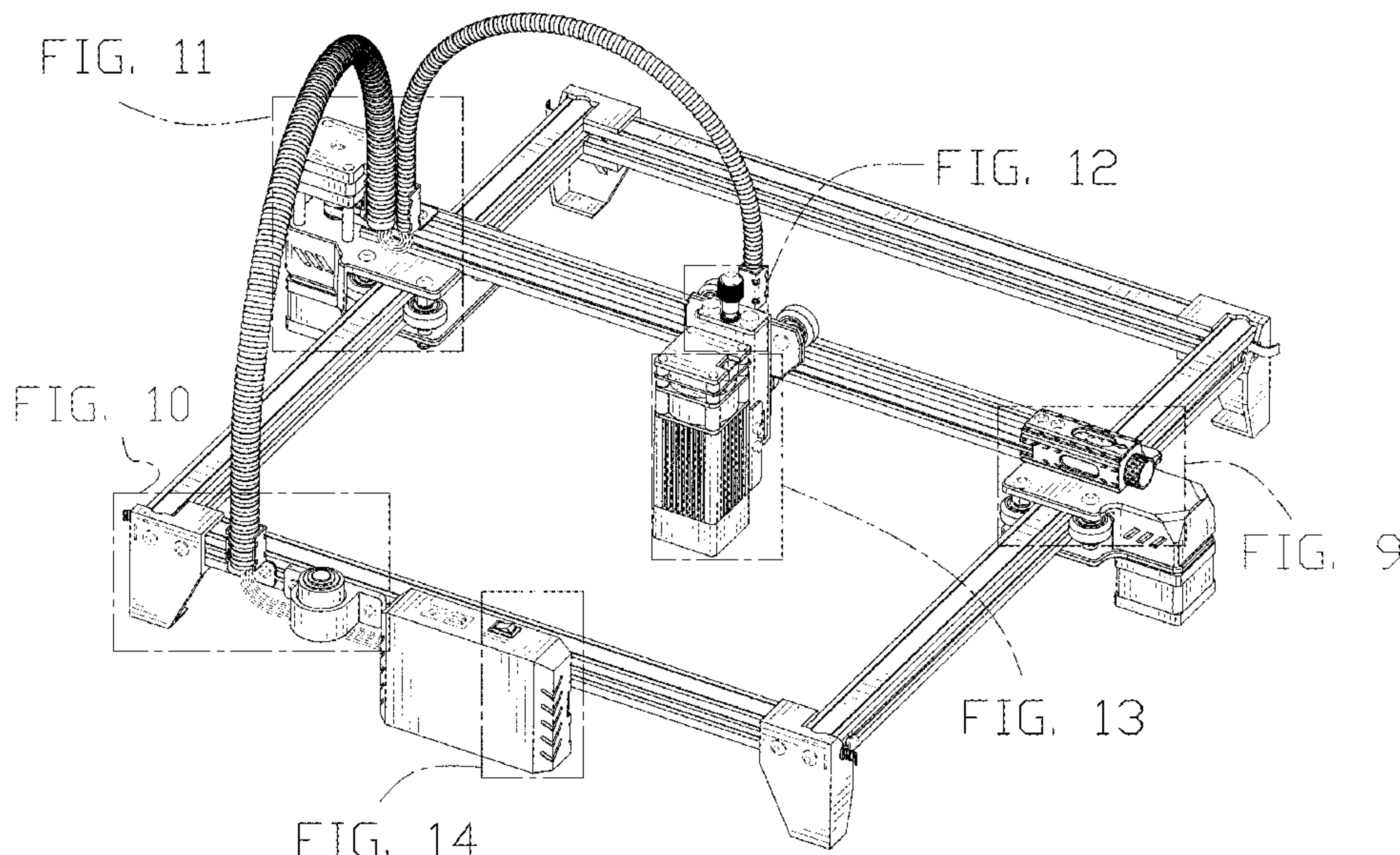
(57) **CLAIM**

The ornamental design for an engraving machine, as shown and described.

DESCRIPTION

FIG. 1 is a front and top perspective view of an engraving machine, showing my new design;
FIG. 2 is a rear and bottom perspective view thereof;
FIG. 3 is a front elevation view thereof;
FIG. 4 is a rear elevation view thereof;
FIG. 5 is a left side elevation view thereof;
FIG. 6 is a right side elevation view thereof;
FIG. 7 is a top plan view thereof;
FIG. 8 is a bottom plan view thereof;
FIG. 9 is an enlarged view of a portion labeled, 'FIG. 9' in FIG. 1;
FIG. 10 is an enlarged view of a portion labeled, 'FIG. 10' in FIG. 1;
FIG. 11 is an enlarged view of a portion labeled, 'FIG. 11' in FIG. 1;
FIG. 12 is an enlarged view of a portion labeled, 'FIG. 12' in FIG. 1;
FIG. 13 is an enlarged view of a portion labeled, 'FIG. 13' in FIG. 1;
FIG. 14 is an enlarged view of a portion labeled, 'FIG. 14' in FIG. 1;
FIG. 15 is an enlarged view of a portion labeled, 'FIG. 15' in FIG. 2;
FIG. 16 is an enlarged view of a portion labeled, 'FIG. 16' in FIG. 2; and,
FIG. 17 is an enlarged view of a portion labeled, 'FIG. 17' in FIG. 2.
The broken lines in the figures illustrate portions of the engraving machine that form no part of the claimed design. The dash dot dash lines in FIGS. 1, 2, 9, 10, 11, 12, 13, 14, 15, 16 and 17 are for the purpose of depicting the boundary lines of the enlarged views and form no part of the claimed design.

1 Claim, 17 Drawing Sheets



(58) **Field of Classification Search**

CPC G03B 15/035; G03B 15/04; G03B 15/03;
 G03B 2215/0542; G03B 17/02; G03B
 17/04; G03B 17/08; G03B 17/56; G03B
 17/568; G03B 17/10; G03B 19/04; B44B
 3/02; B44B 3/009; B44B 3/061; B44C
 1/228; B41M 5/24; B41M 5/26

See application file for complete search history.

(56) **References Cited**

U.S. PATENT DOCUMENTS

| | | | | |
|------------|------|---------|------------------|------------|
| D822,104 | S | 7/2018 | Shoenhair et al. | |
| D896,288 | S * | 9/2020 | Jiang | D15/127 |
| D899,471 | S * | 10/2020 | Liu | D15/122 |
| D925,634 | S * | 7/2021 | Liu | D15/199 |
| D931,348 | S * | 9/2021 | Zou | D15/144 |
| D933,723 | S * | 10/2021 | Chen | D15/122 |
| 11,167,408 | B2 * | 11/2021 | Thomas | B25J 9/023 |
| D957,517 | S * | 7/2022 | Li | D18/57 |
| D958,236 | S * | 7/2022 | Wu | D18/50 |

| | | | | |
|--------------|------|--------|----------------------|--------------------------|
| 2011/0174788 | A1 * | 7/2011 | Chai | B23K 26/10 219/121.68 |
| 2021/0205941 | A1 * | 7/2021 | Karimi Jahromi | B23C 1/002 |
| 2021/0206074 | A1 * | 7/2021 | Lee | B29C 64/25 |

OTHER PUBLICATIONS

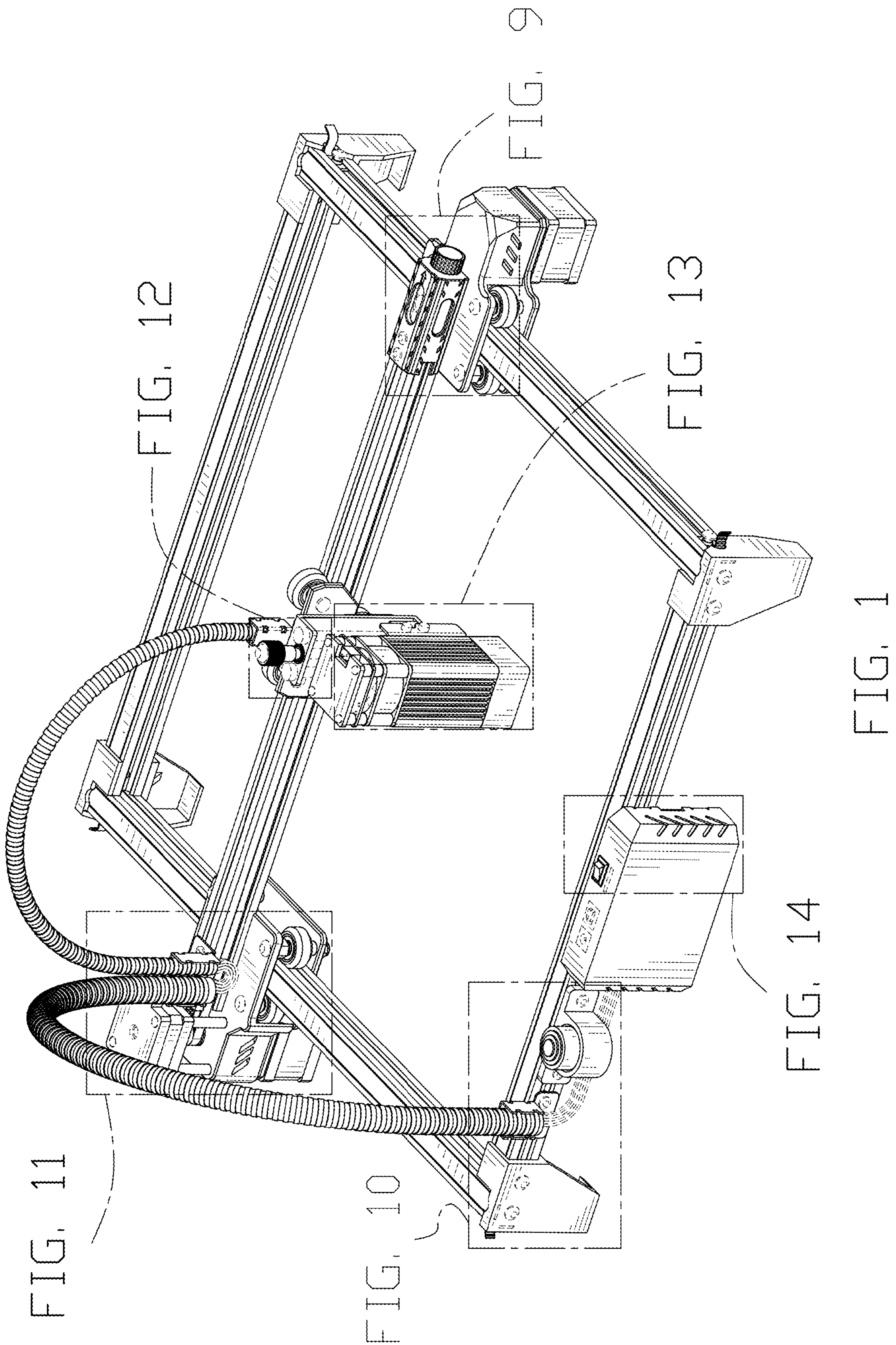
Ouyzgia, Twotrees TTS-55 Laser Engraver, (first available Jan. 18, 2022), Amazon.com, URL:<<https://www.amazon.com/Twotrees-TTS-55-Engraver-Engraving-Motherboard/dp/B09QMCFSHM>> (Year: 2022).*

Horzopil, Pro Laser Engraver, 40W High Accuracy, (first available Dec. 28, 2021), Amazon.com, URL:<<https://www.amazon.com/HORZPIL-Engraver-Engraving-400X400mm-Protection/dp/B09PBQYG1S>> (Year: 2021).*

Atomstack, Laser Engraver—S10 Pro 50W Laser Engraving Machine, (first available Dec. 20, 2021), Amazon.com, URL:<<https://www.amazon.com/ATOMSTACK-Compressed-Engraving-Protection-Fixed-focus/dp/B09N364QB9>> (Year: 2021).*

Yiyibus, Desktop CNC Router Machine 4040—5000mW Laser, (first available May 18, 2021), Amazon.com, URL:<<https://www.amazon.com/YIYIBYUS-Desktop-Engraver-Air-Cooled-Artificial/dp/B095799T7C>> (Year: 2021).*

* cited by examiner



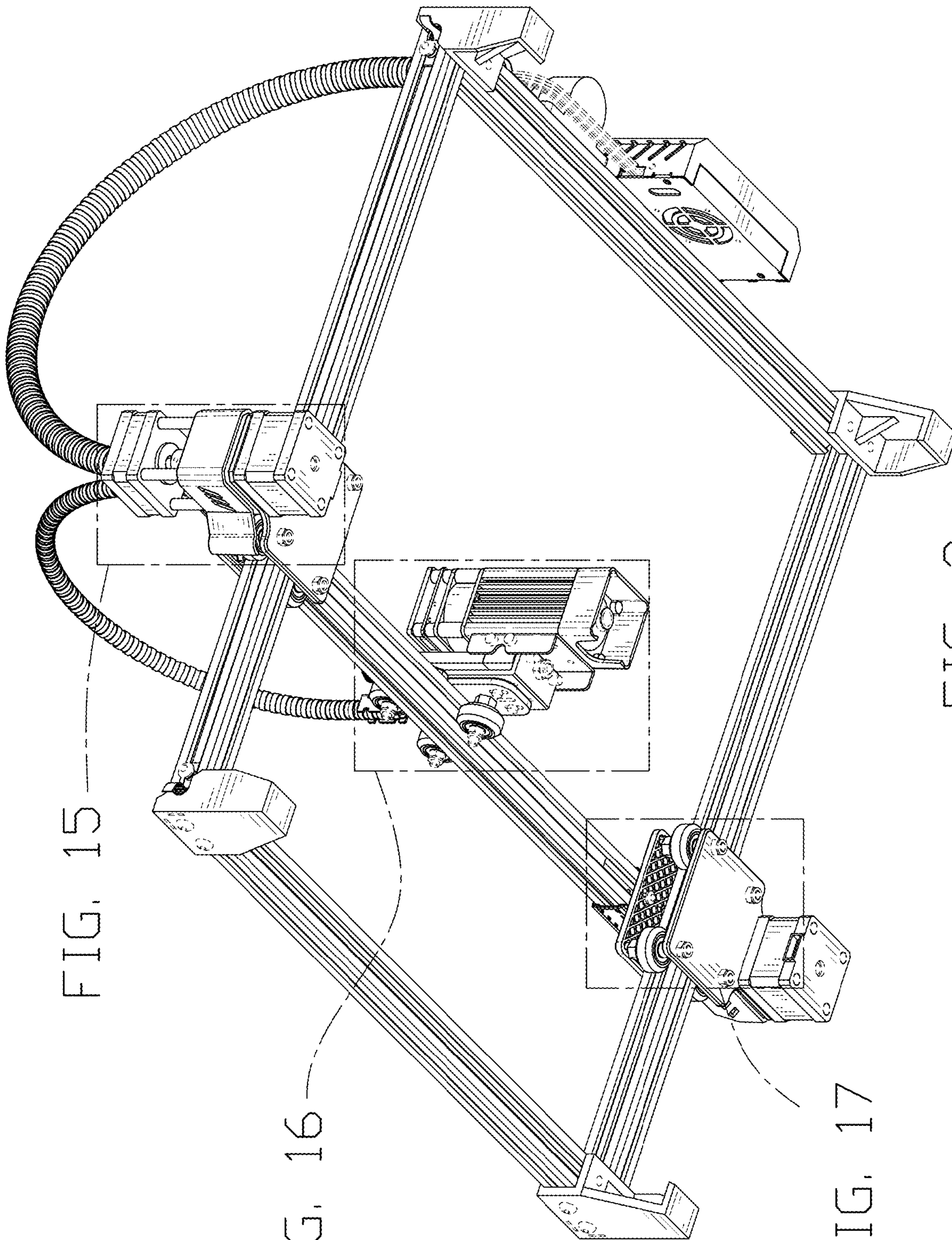


FIG. 15

FIG. 16

FIG. 17

FIG. 2

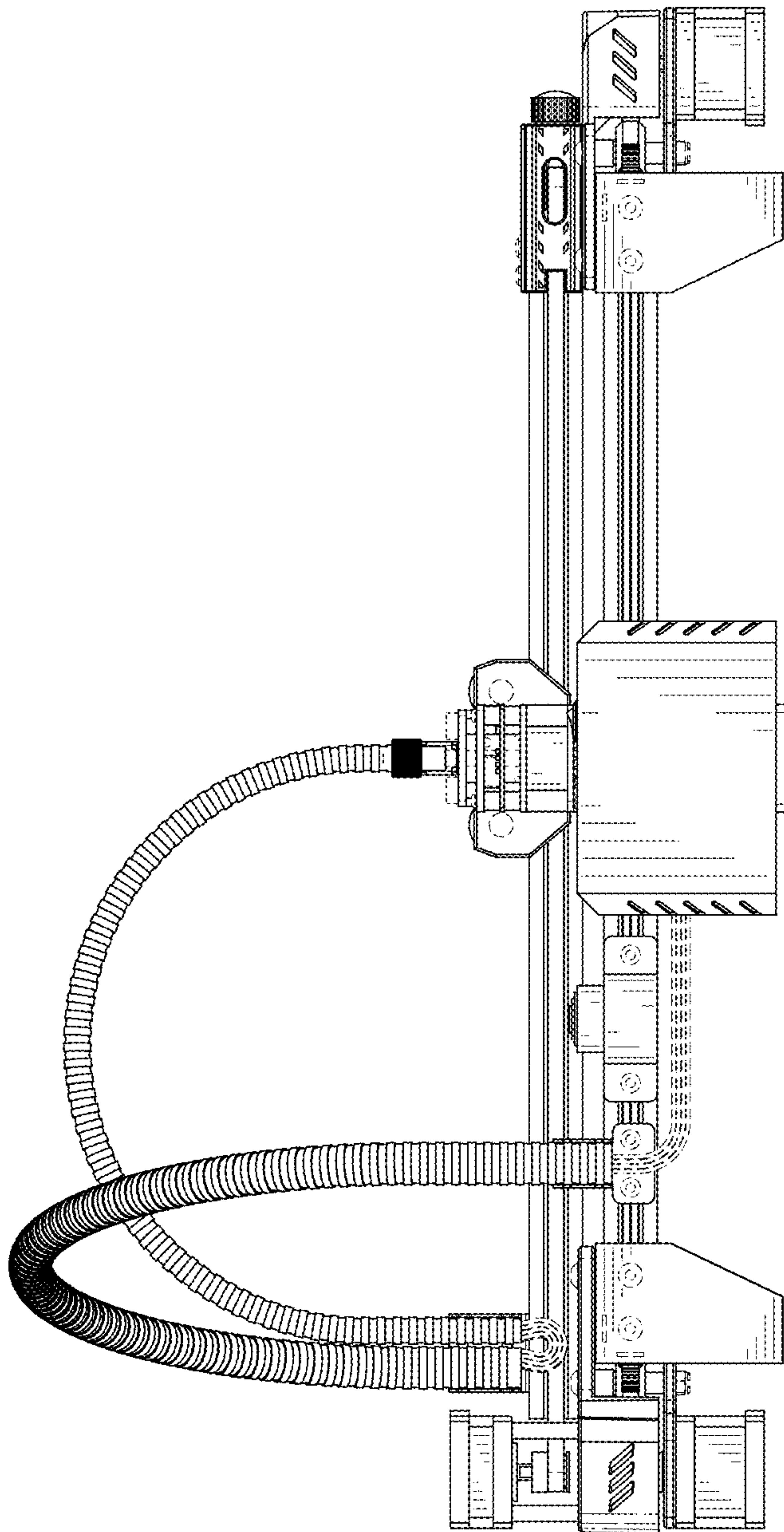


FIG. 3

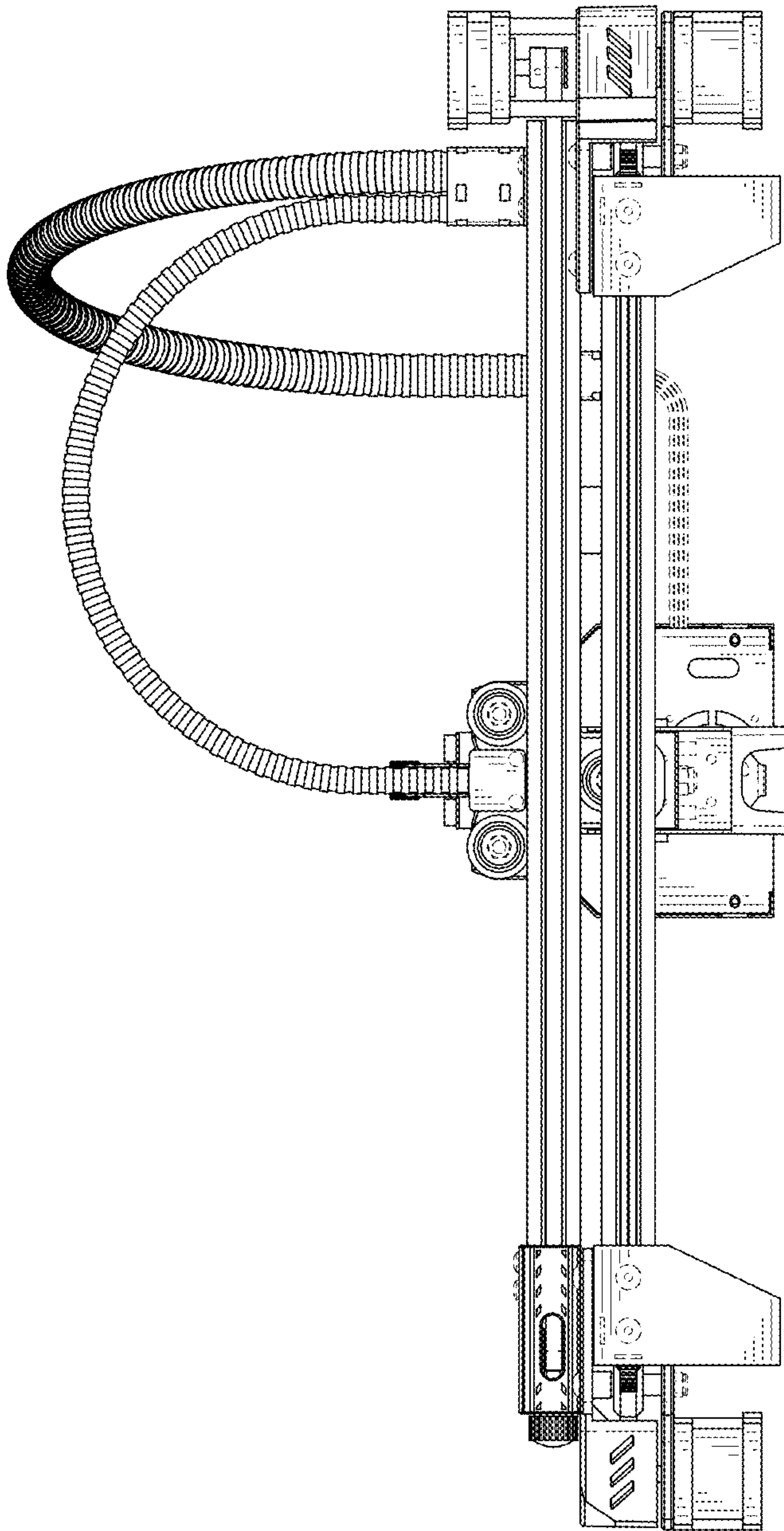


FIG. 4

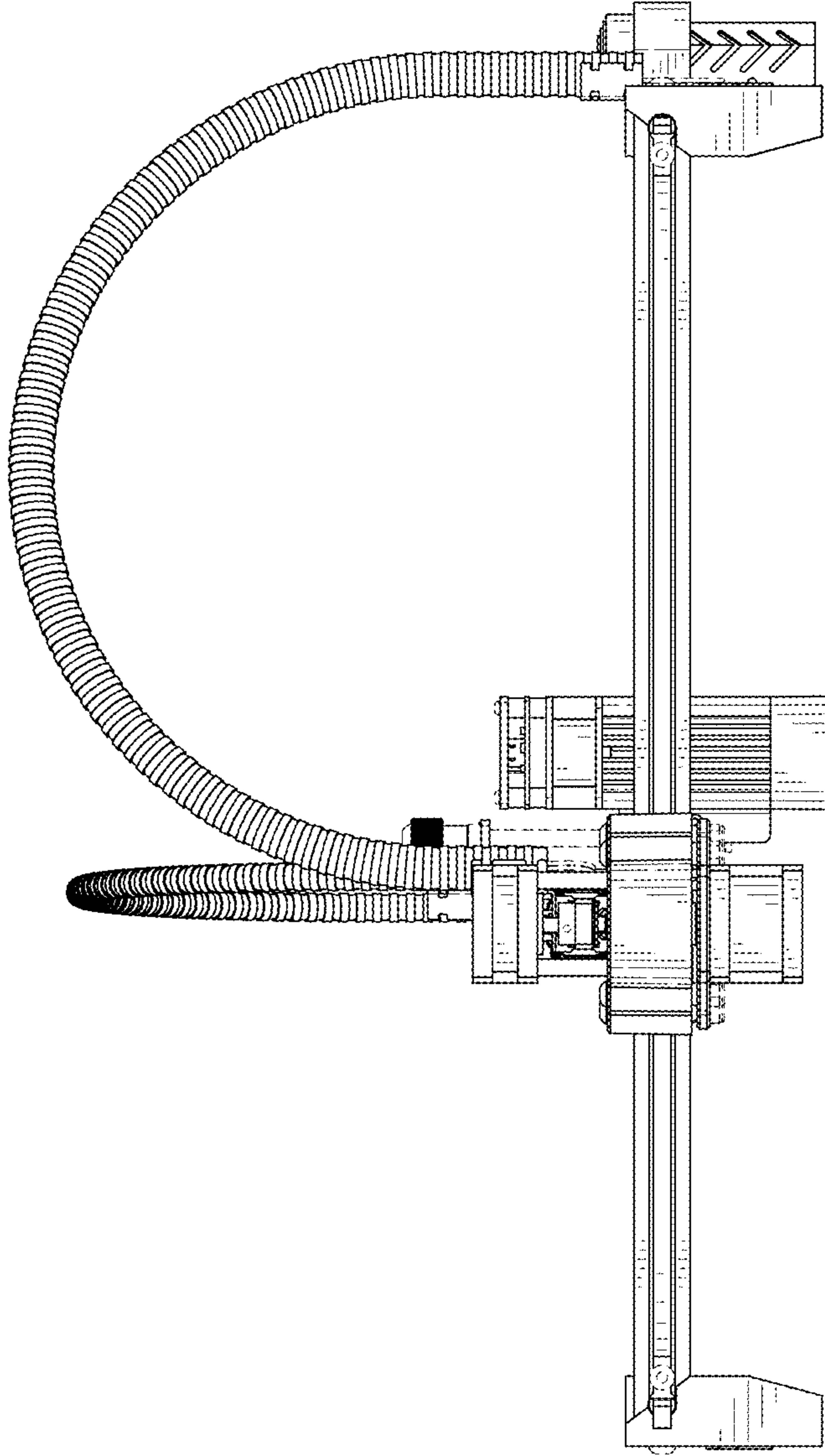


FIG. 5

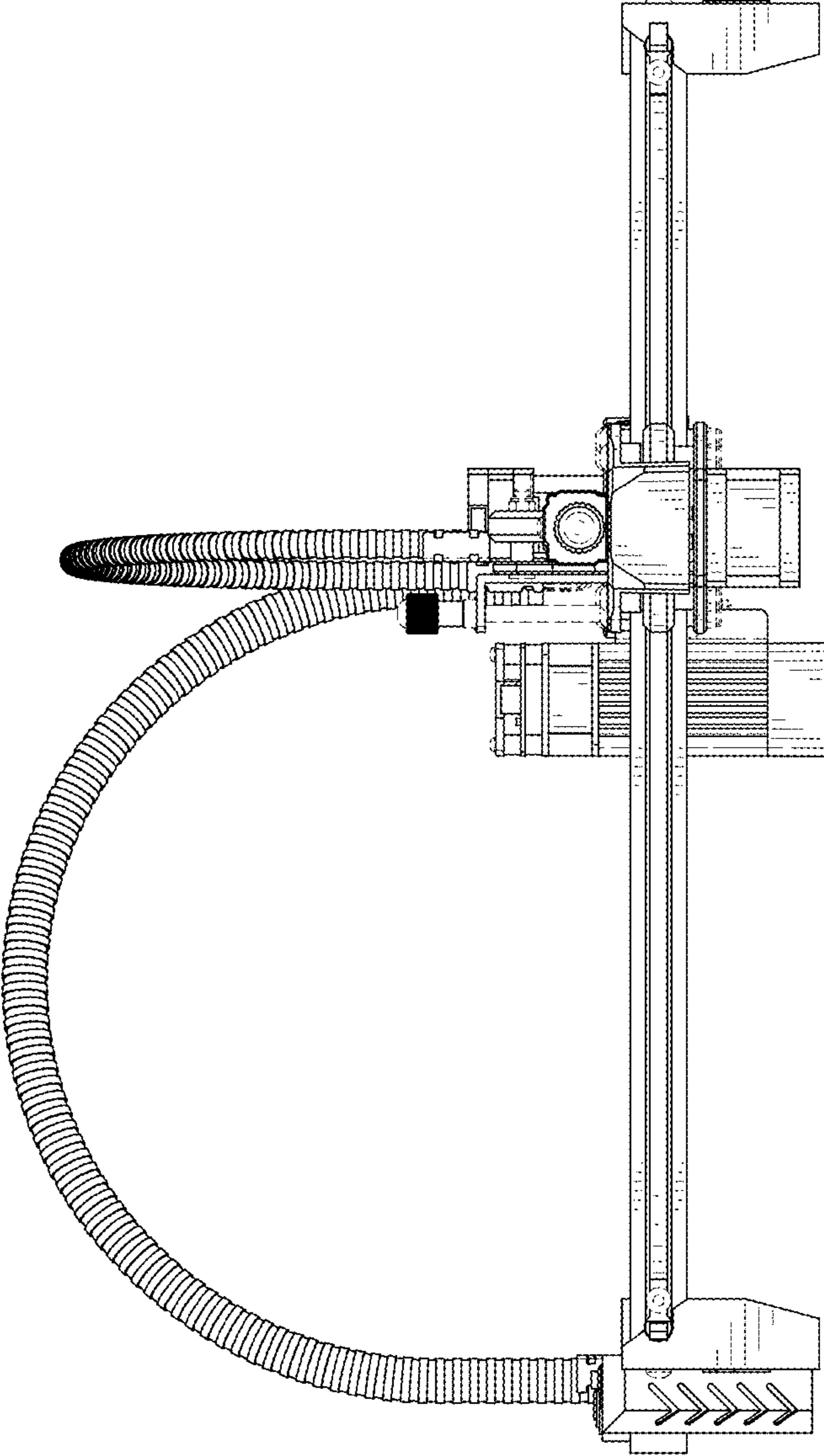


FIG. 6

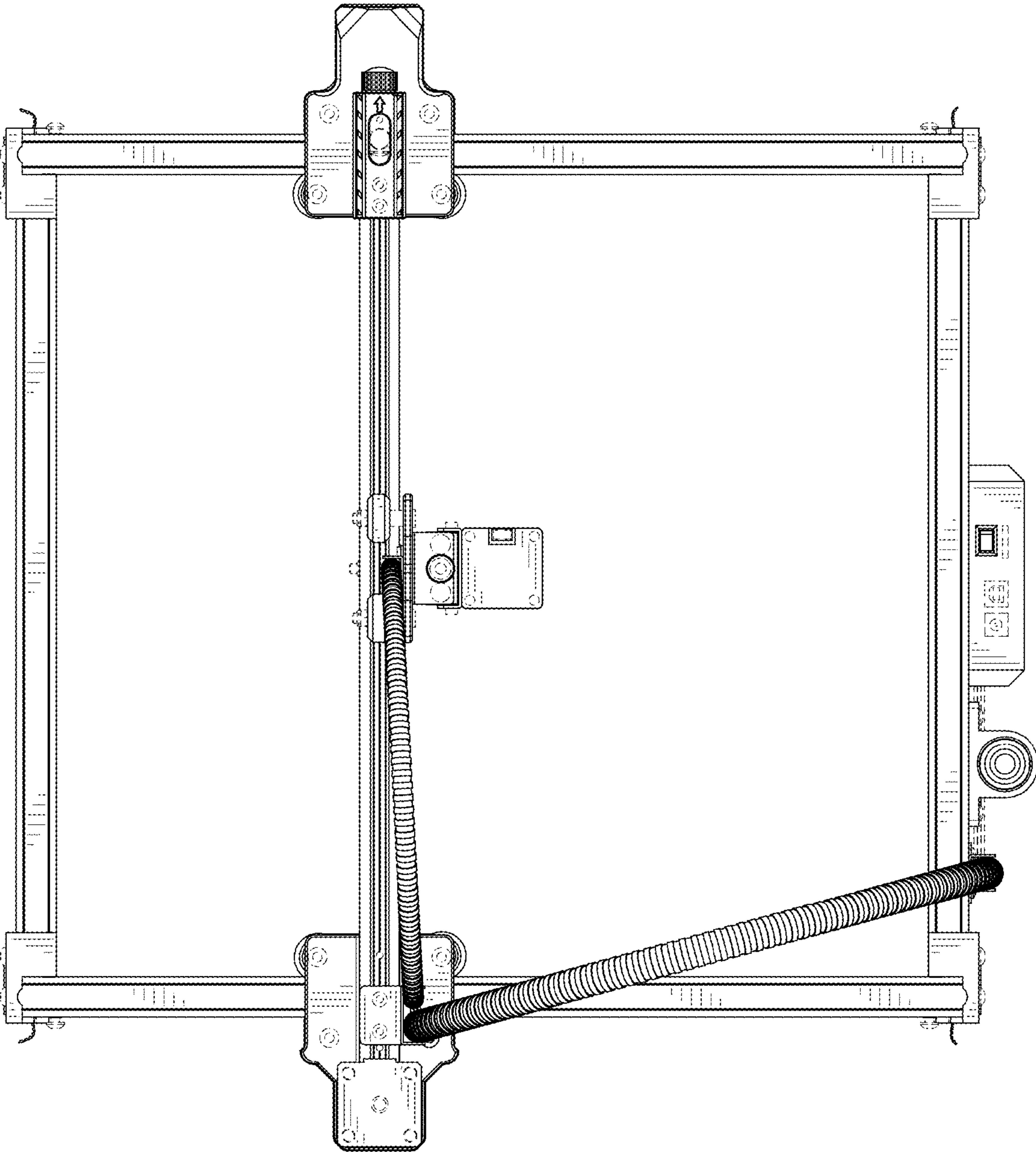


FIG. 7

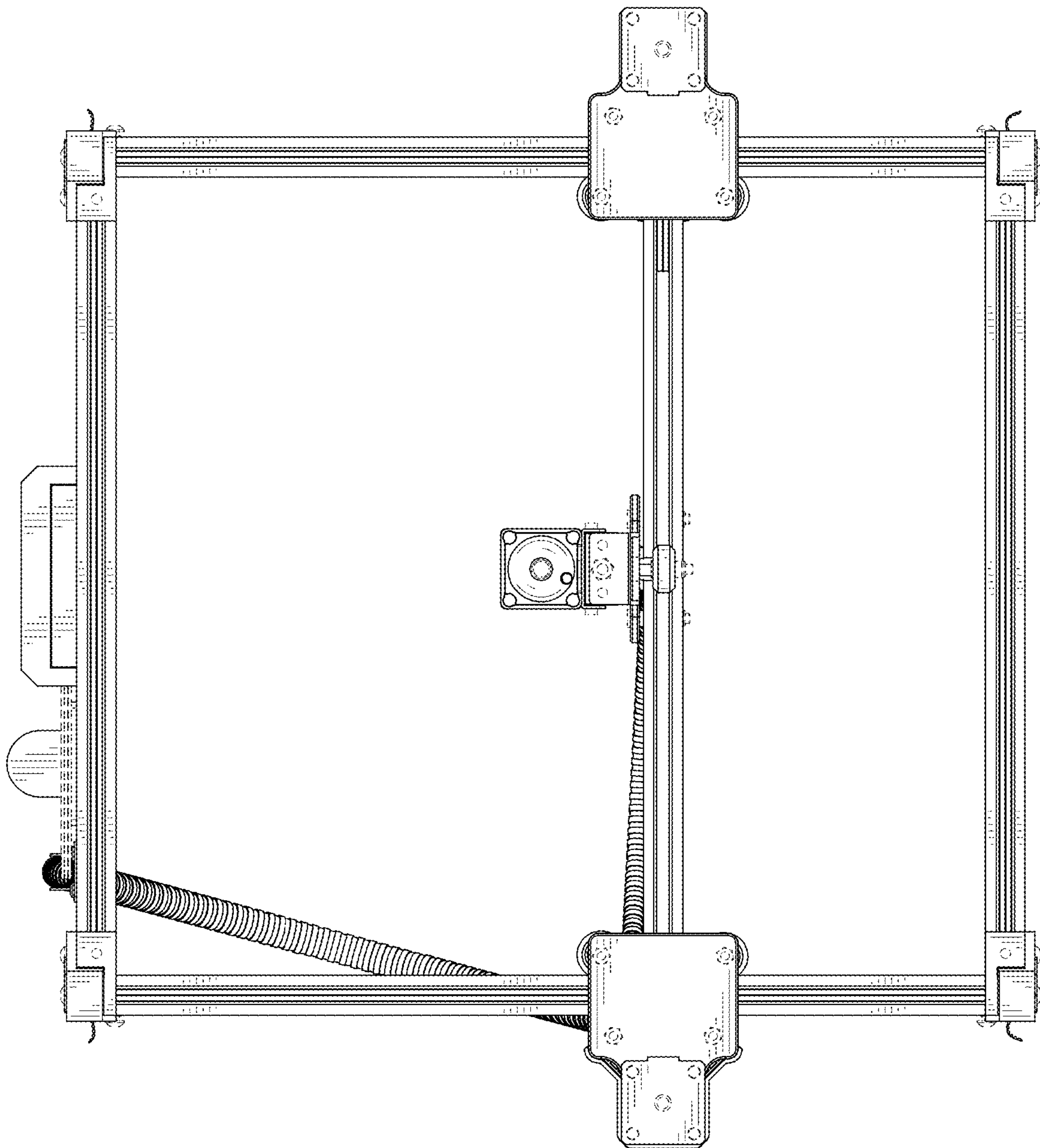


FIG. 8

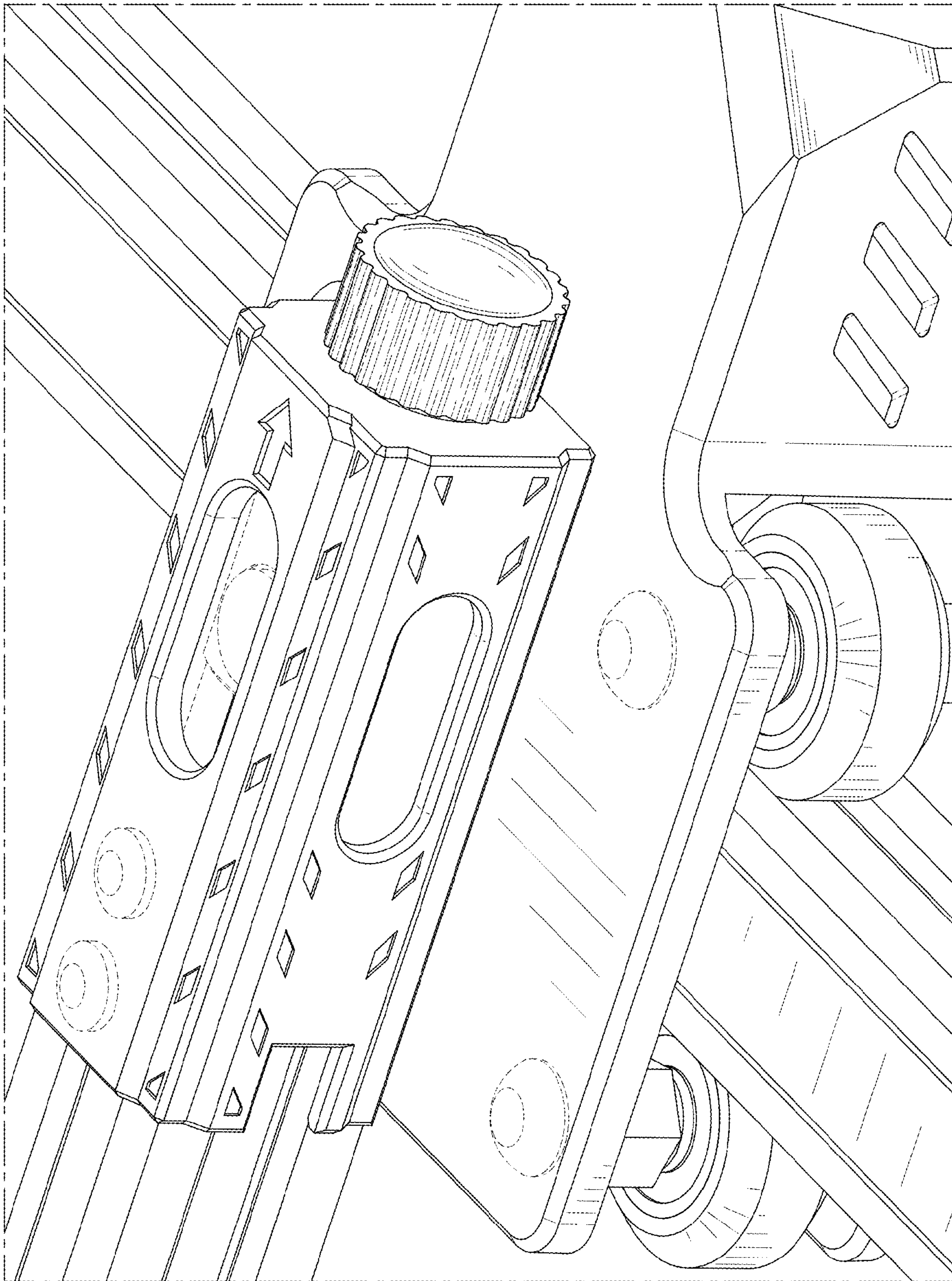


FIG. 9

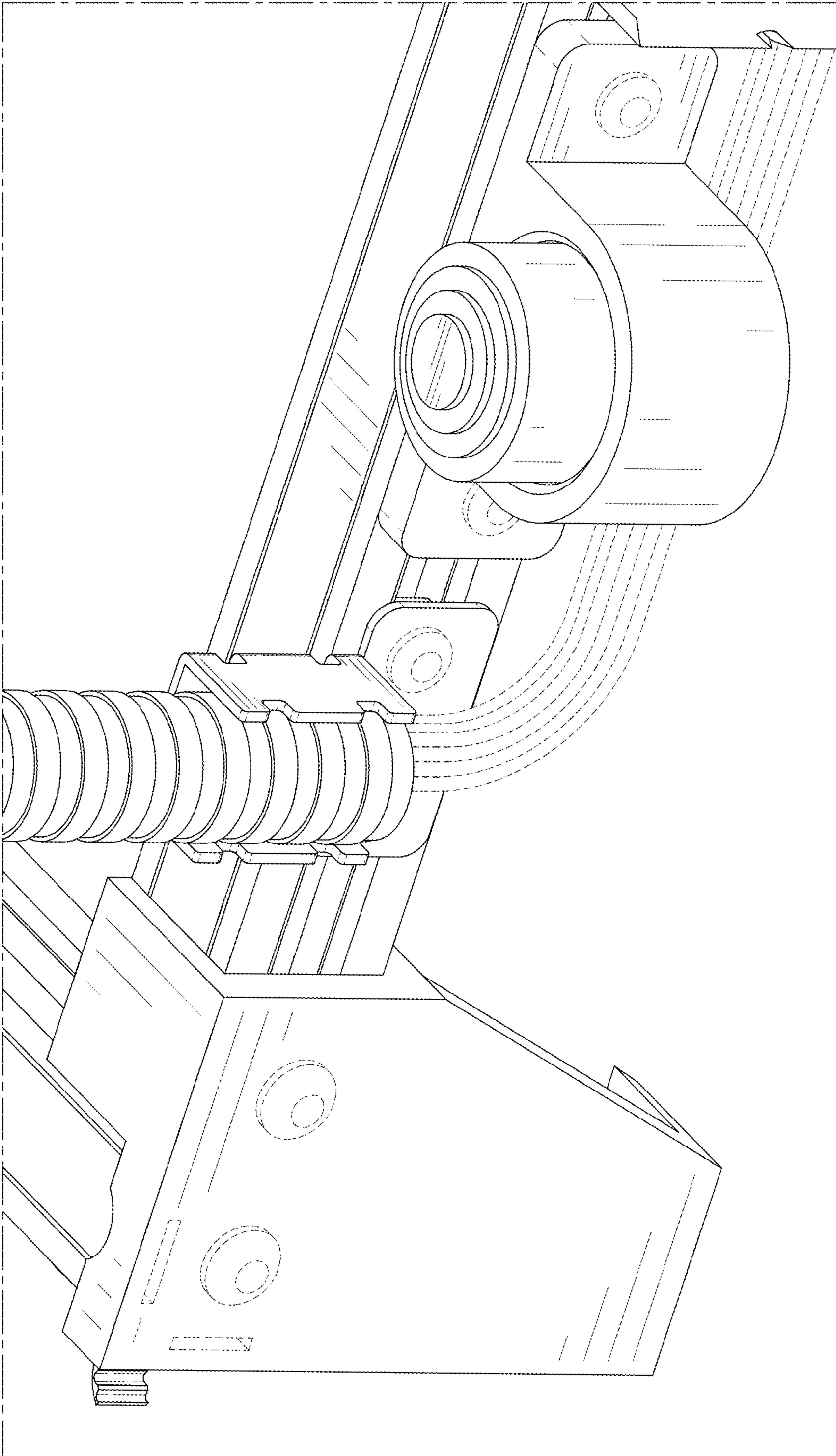


FIG. 10

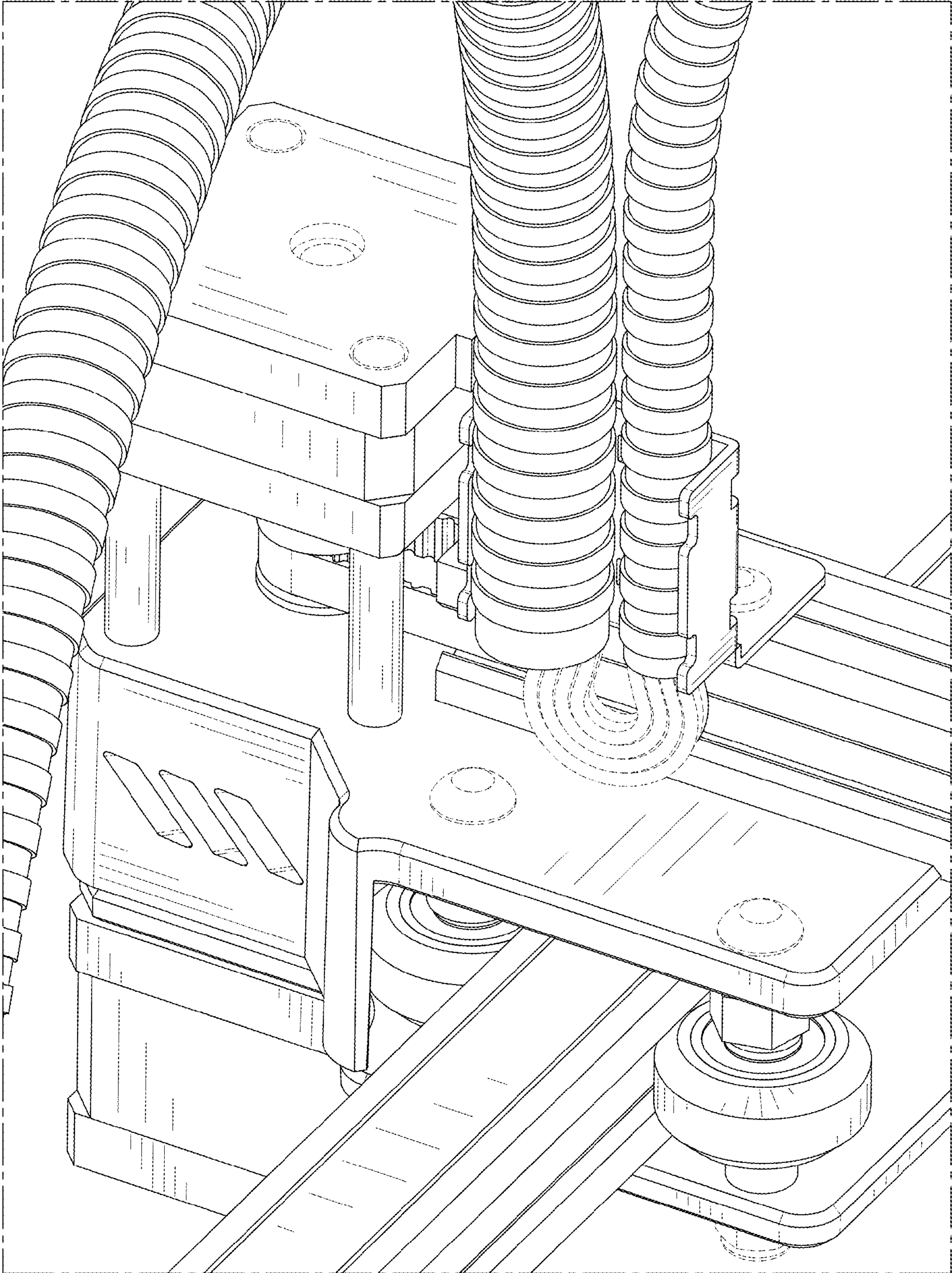


FIG. 11

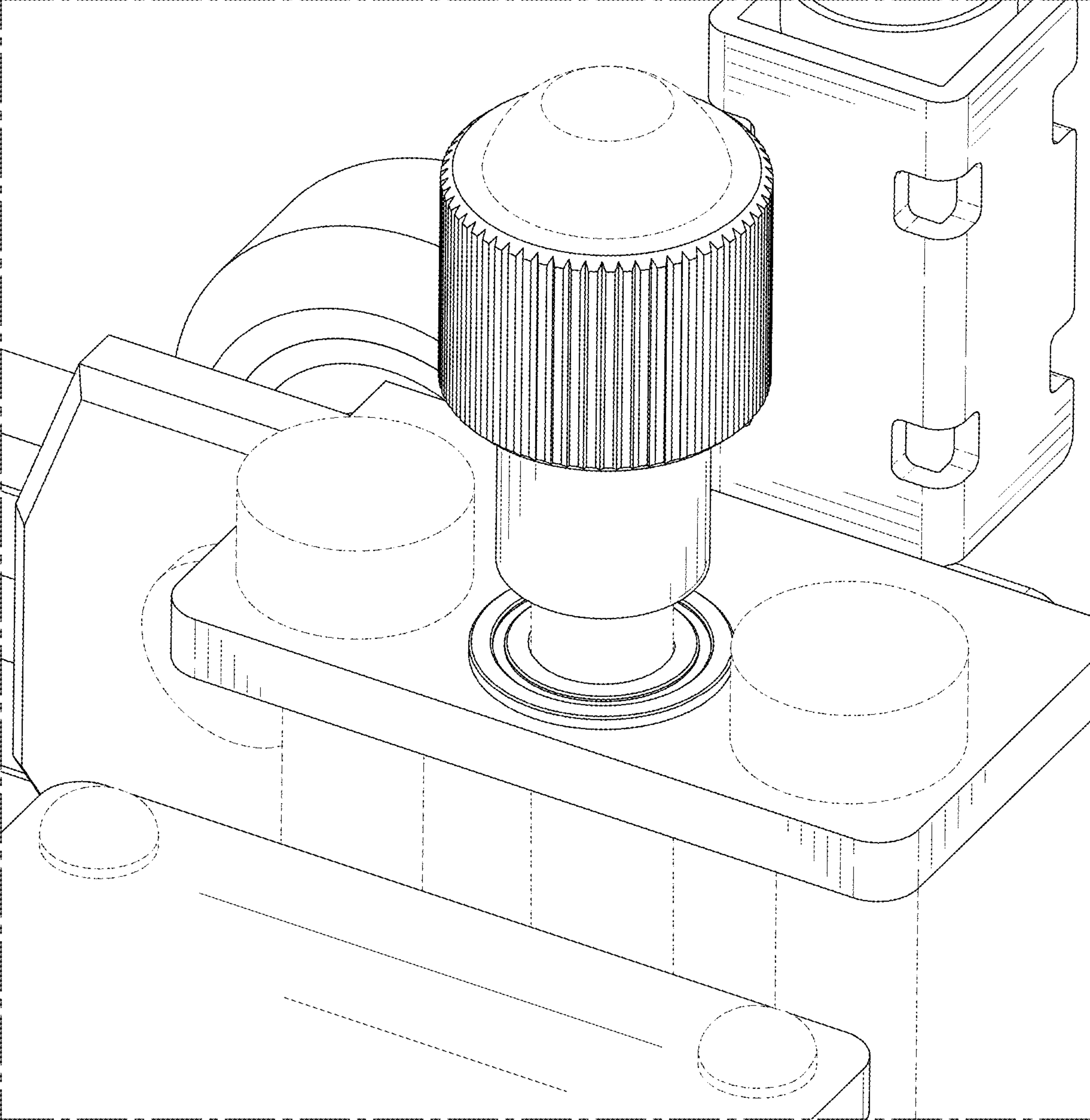


FIG. 12

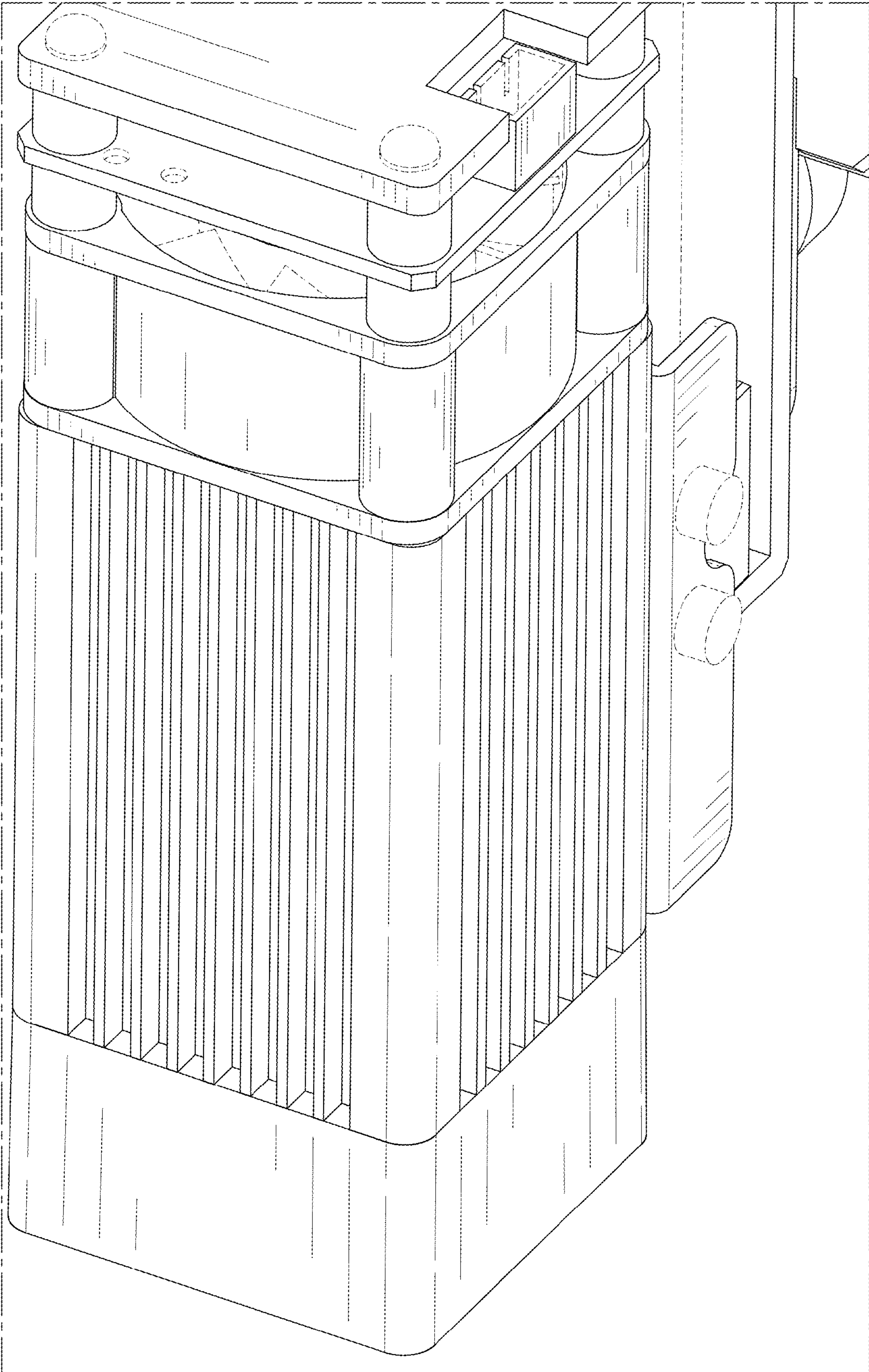


FIG. 13

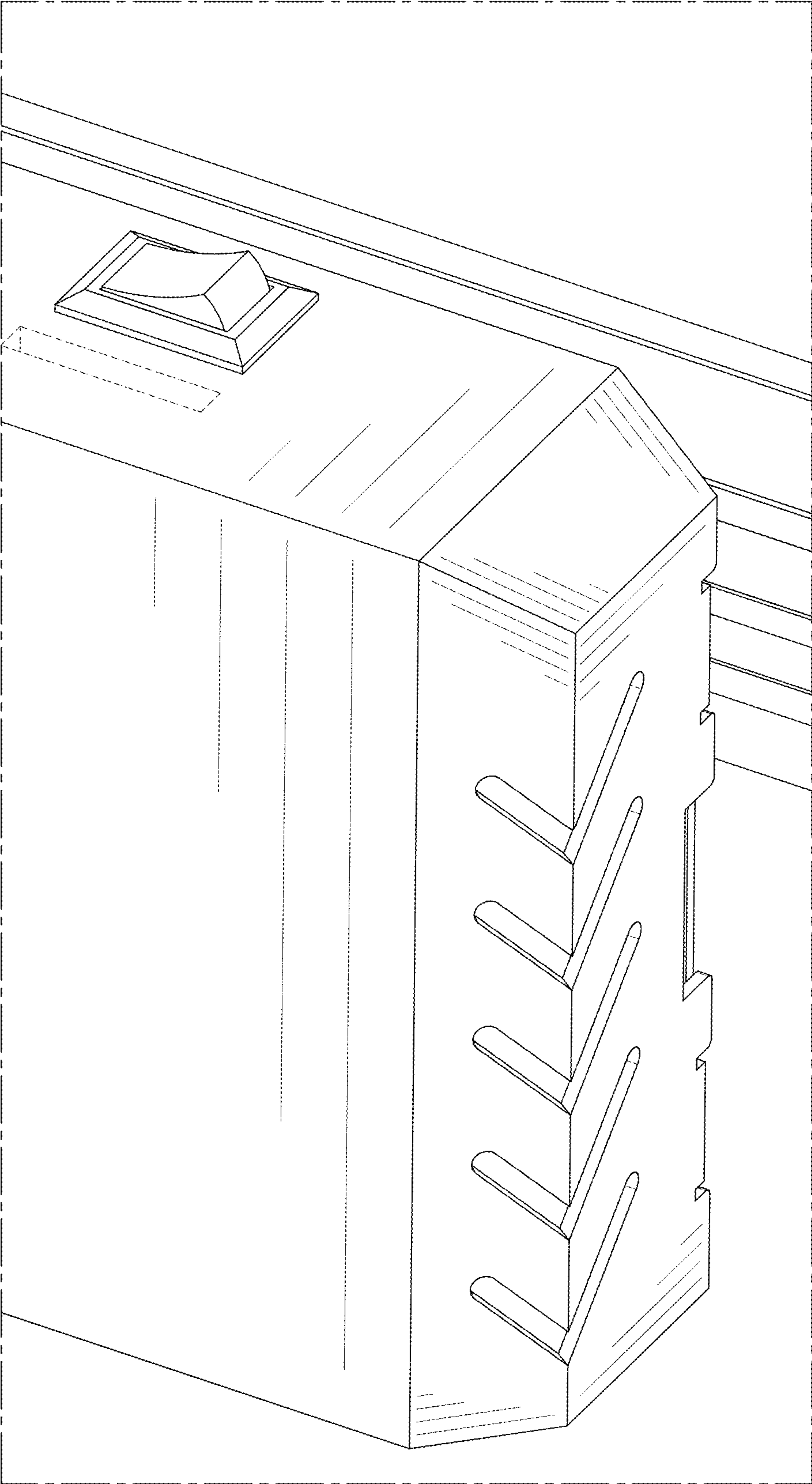


FIG. 14

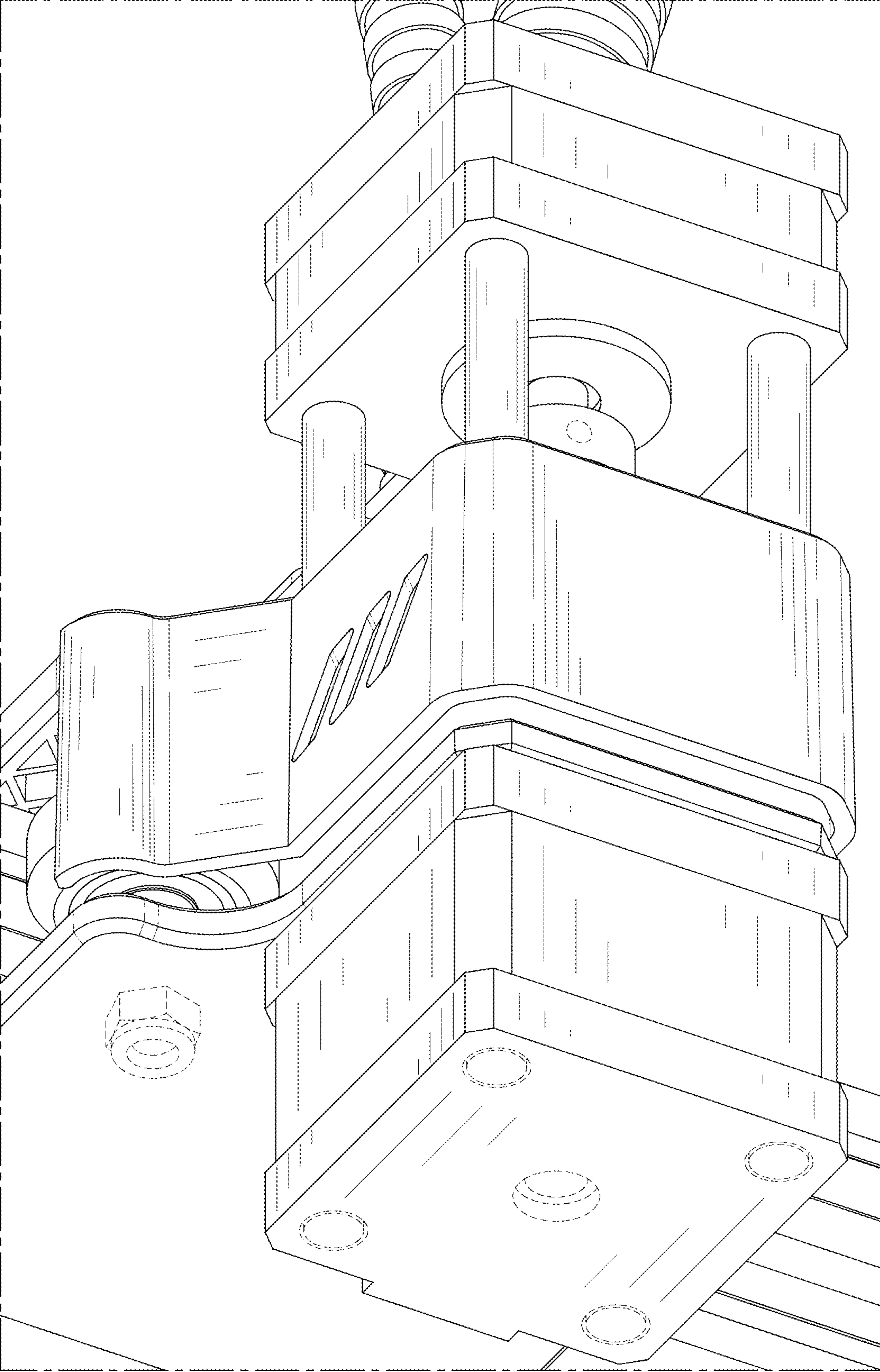


FIG. 15

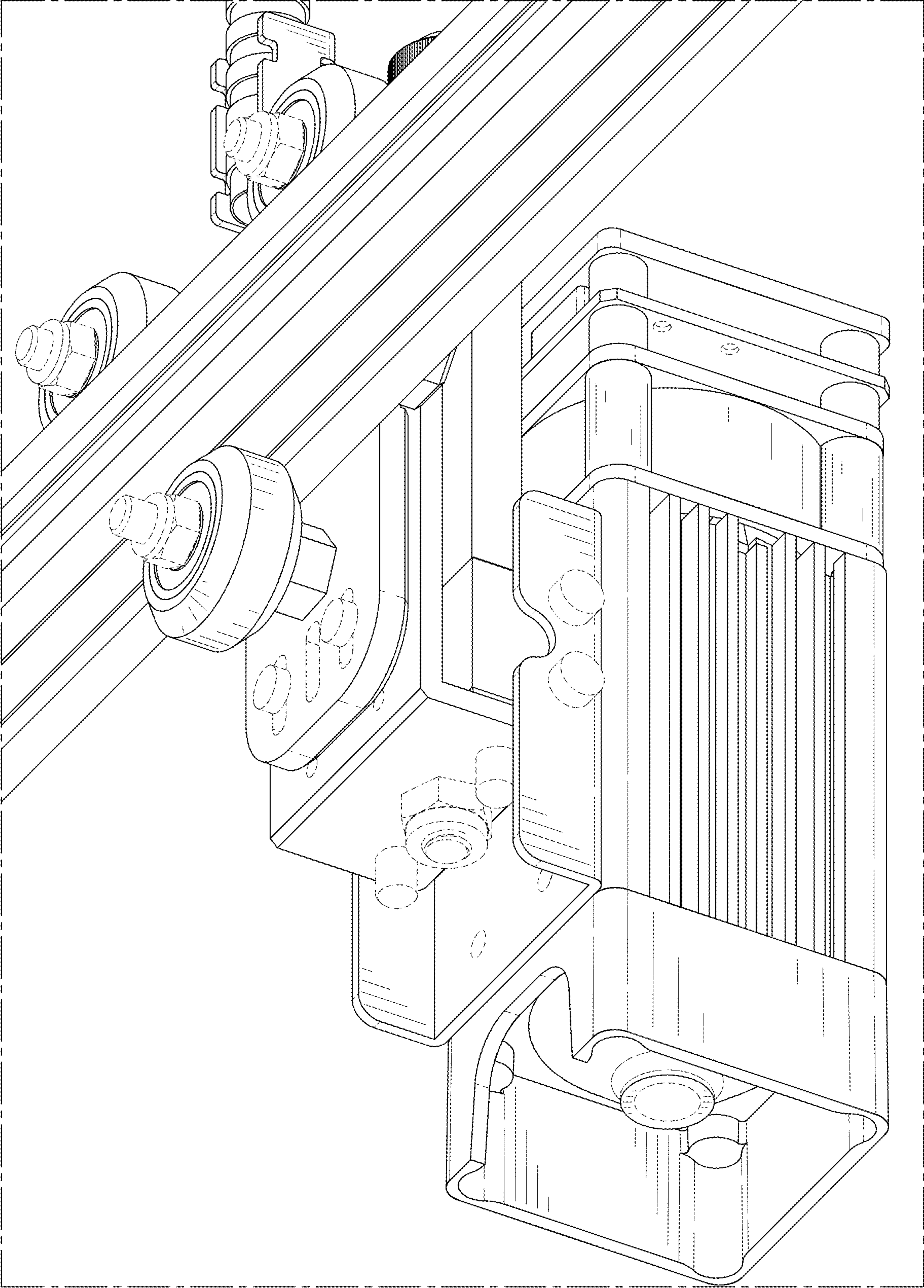


FIG. 16

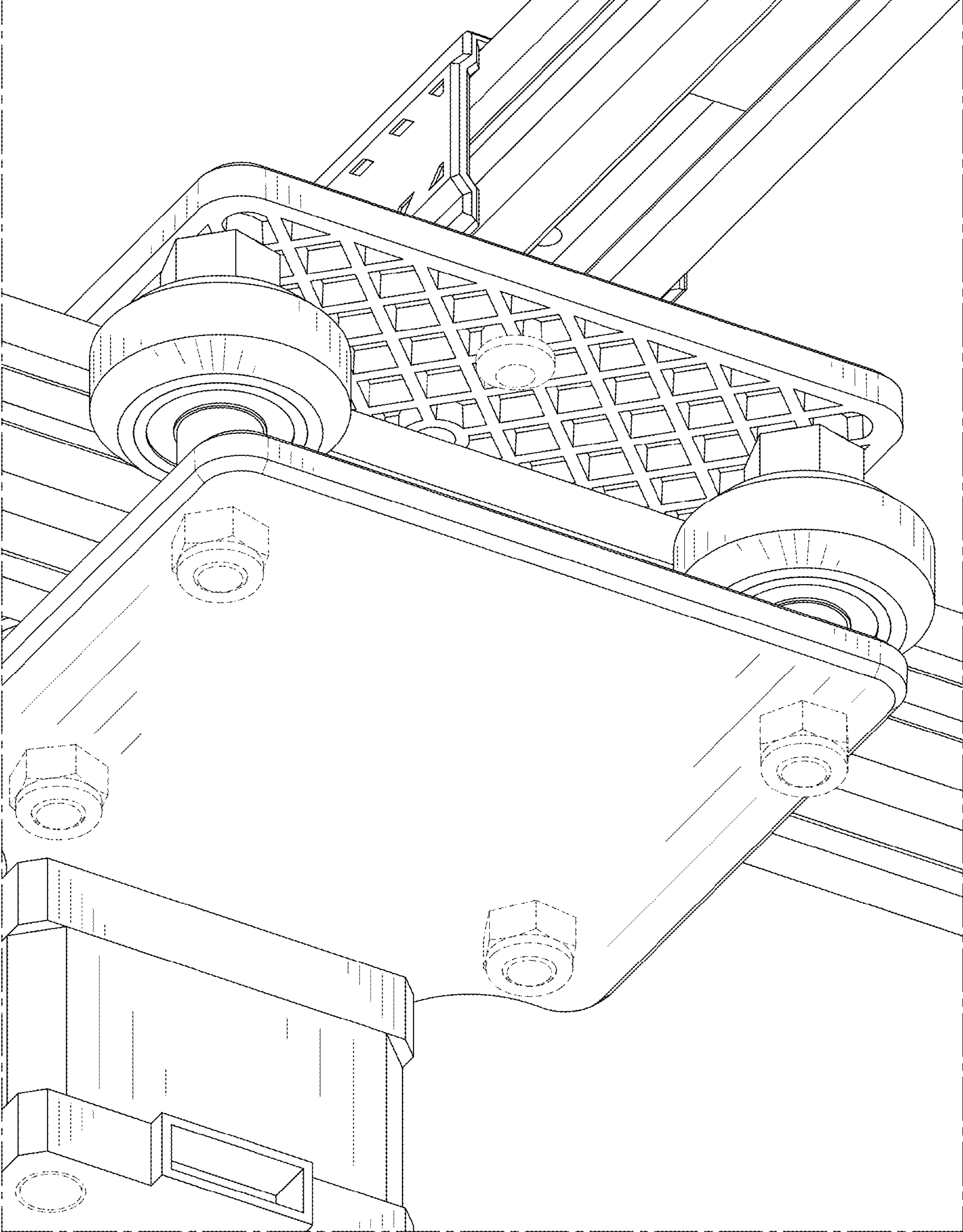


FIG. 17