



US00D976294S

(12) **United States Design Patent**
Saunders et al.

(10) **Patent No.:** **US D976,294 S**
(45) **Date of Patent:** **** Jan. 24, 2023**

(54) **CLAMP SET**

(71) Applicant: **SAUNDERS MACHINE WORKS, LLC**, Zanesville, OH (US)

(72) Inventors: **John William Saunders**, Zanesville, OH (US); **Ellsworth Edgar Rees, IV**, Zanesville, OH (US)

(73) Assignee: **Saunders Machine Works, LLC**, Zanesville, OH (US)

(**) Term: **15 Years**

(21) Appl. No.: **29/756,555**

(22) Filed: **Oct. 29, 2020**

(51) **LOC (14) Cl.** **15-09**

(52) **U.S. Cl.**
USPC **D15/140**

(58) **Field of Classification Search**
USPC D8/349, 352, 382, 72, 394, 395, 396, 73, D8/383, 323, 306, 325, 356, 71; D16/242, 245; D23/266; D21/366; D24/230; D15/140
CPC A01B 71/04; A01B 59/002; F16L 3/1025; F16L 1/123; F16L 3/08; F16L 3/237; F16L 3/1075; E21B 17/1035; E21B 19/02; F16B 2/065; F16B 7/0433; F16B 2/10; Y10T 403/70; Y10T 403/5753; Y10T 29/53104; B62K 21/04; H01Q 3/08; H01Q 1/1228; H01Q 15/16

See application file for complete search history.

(56) **References Cited**

U.S. PATENT DOCUMENTS

D615,002 S * 5/2010 Norman B62K 21/04 D12/118
D647,381 S * 10/2011 Lin D8/74
D661,713 S * 6/2012 Marchesan D15/28
D686,294 S * 7/2013 Ziegler D22/108
8,721,185 B2 * 5/2014 Marchesan A01B 71/04 384/428

D759,467 S * 6/2016 Franta D8/356
D813,973 S * 3/2018 McKillips D22/109
D850,892 S * 6/2019 Lin D8/373
D876,201 S * 2/2020 Wassdahl D8/349
D879,592 S * 3/2020 Phipps D8/356
D880,279 S * 4/2020 Marchesan D8/354

(Continued)

FOREIGN PATENT DOCUMENTS

CN 307088204 * 1/2022
WO WOD218517-001 * 1/2022

OTHER PUBLICATIONS

Ruland Two-Way Connector Clamp, Thru Holes 12mm×12mm, L 48mm, Black Anodized Aluminum, Google.com, [online], [site visited Feb. 12, 2022], Available from internet URL: <https://www.ruland.com/mt12-12-cc2w-an.html> (Year: NA).*

(Continued)

Primary Examiner — Michael A. Pratt

(74) *Attorney, Agent, or Firm* — Kern Kendrick, LLC; Thomas Y. Kendrick

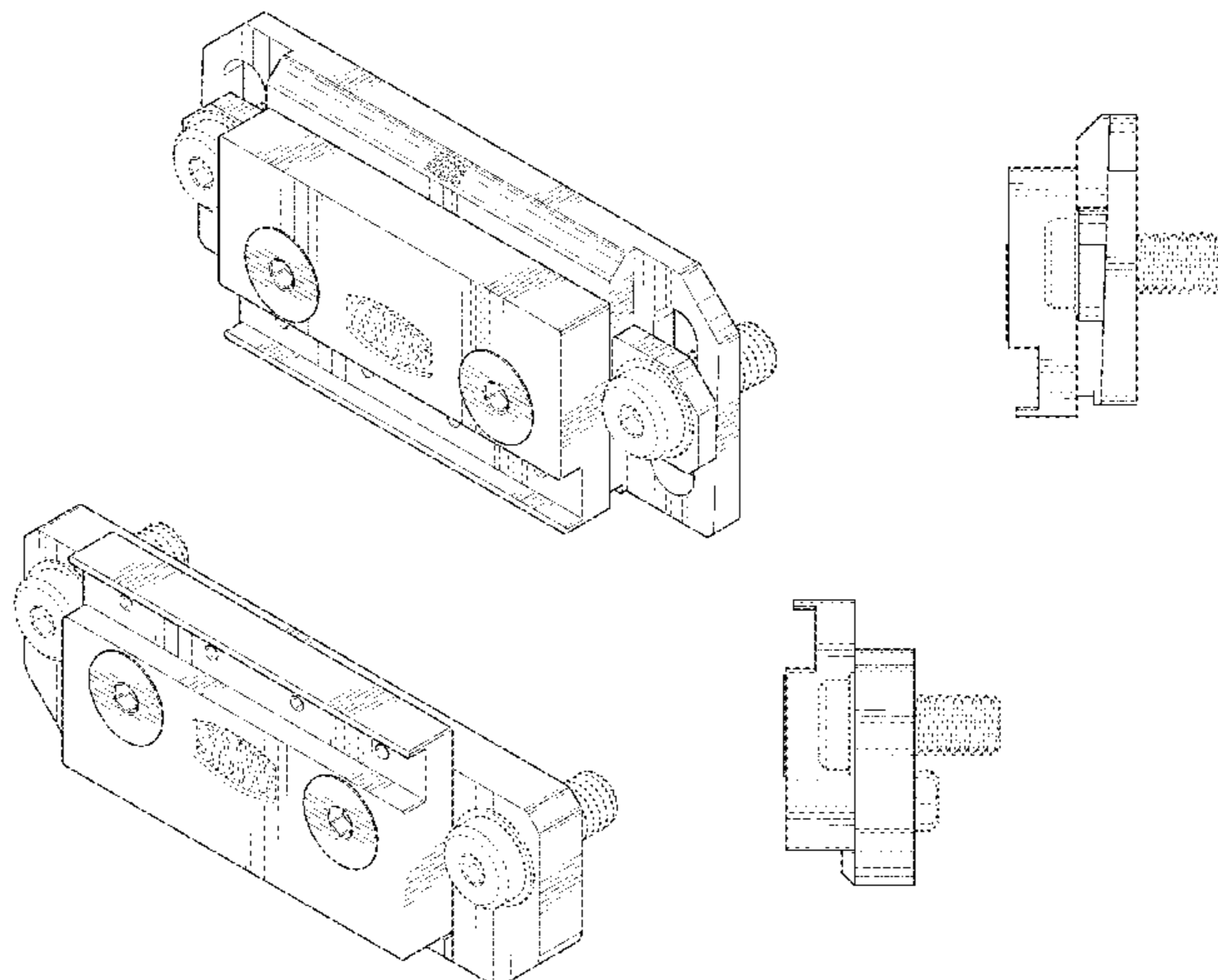
(57) **CLAIM**

The ornamental design for a clamp set, as shown and described.

DESCRIPTION

FIG. 1 is a top perspective view of opposing members of a clamp set;
FIG. 2 is a top plan view thereof;
FIG. 3 is a bottom plan view thereof;
FIG. 4 is a right side elevation view thereof;
FIG. 5 is a left side elevation view thereof;
FIG. 6 is a rear elevation view thereof; and,
FIG. 7 is a front elevation view thereof.
The broken lines in the drawings depict portions of the clamp set that form no part of the claimed design.

1 Claim, 7 Drawing Sheets



(56)

References Cited

U.S. PATENT DOCUMENTS

D919,486 S * 5/2021 Collander D12/118
D927,293 S * 8/2021 Axelsson D8/382
D927,294 S * 8/2021 Axelsson D8/382
2020/0321678 A1 * 10/2020 Renilson H01Q 3/08

OTHER PUBLICATIONS

Connector, Clamp Type, Two-Piece, Steel, Size K.O. 3/4 Inch,
Google.com, [online], [site visited Feb. 12, 2022], Available from
internet URL: <https://www.bptfittings.com/store/connector-clamp-type-two-piece-steel-size-k-o-3-4-inch.html> (Year: NA).*

* cited by examiner

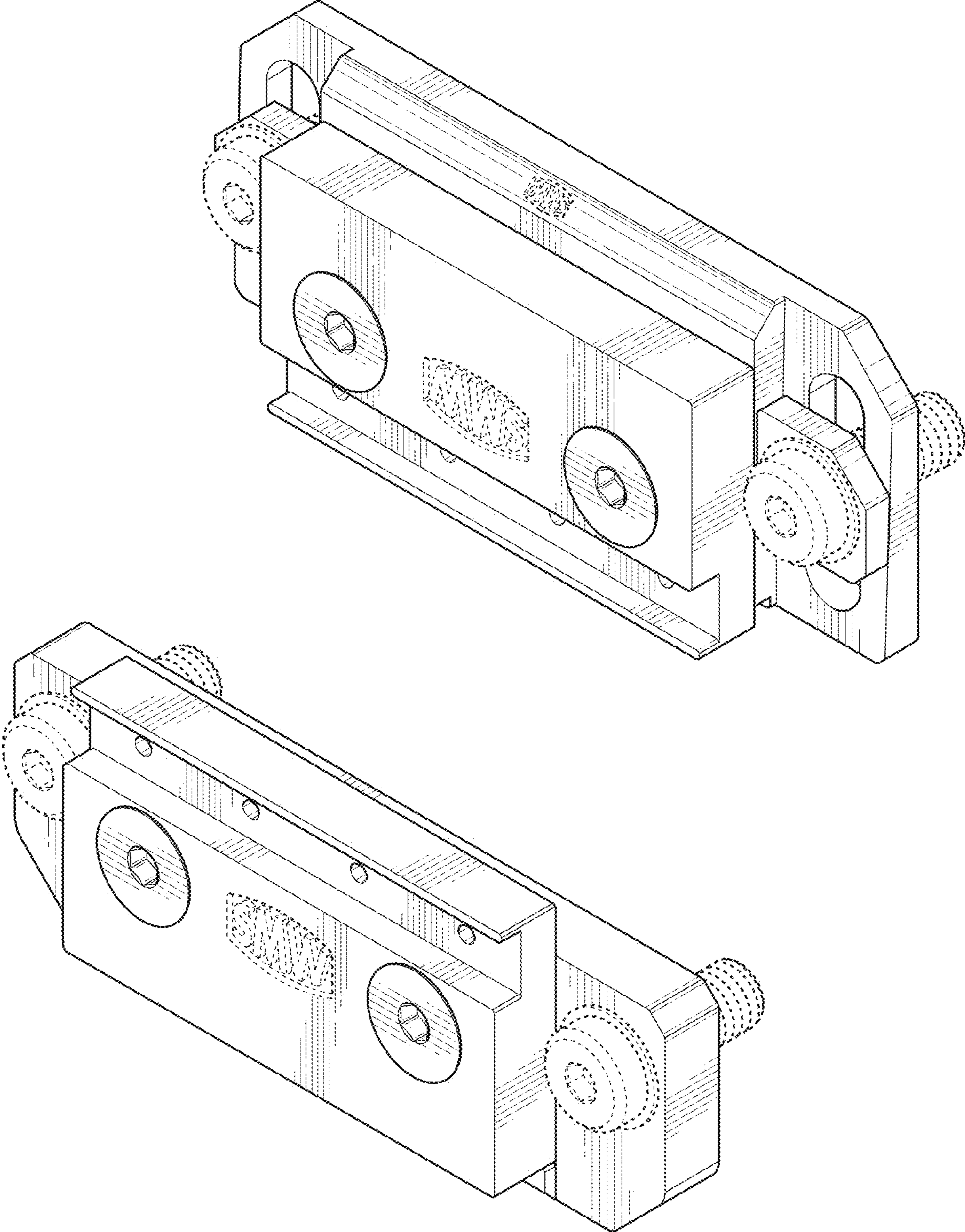


FIG. 1

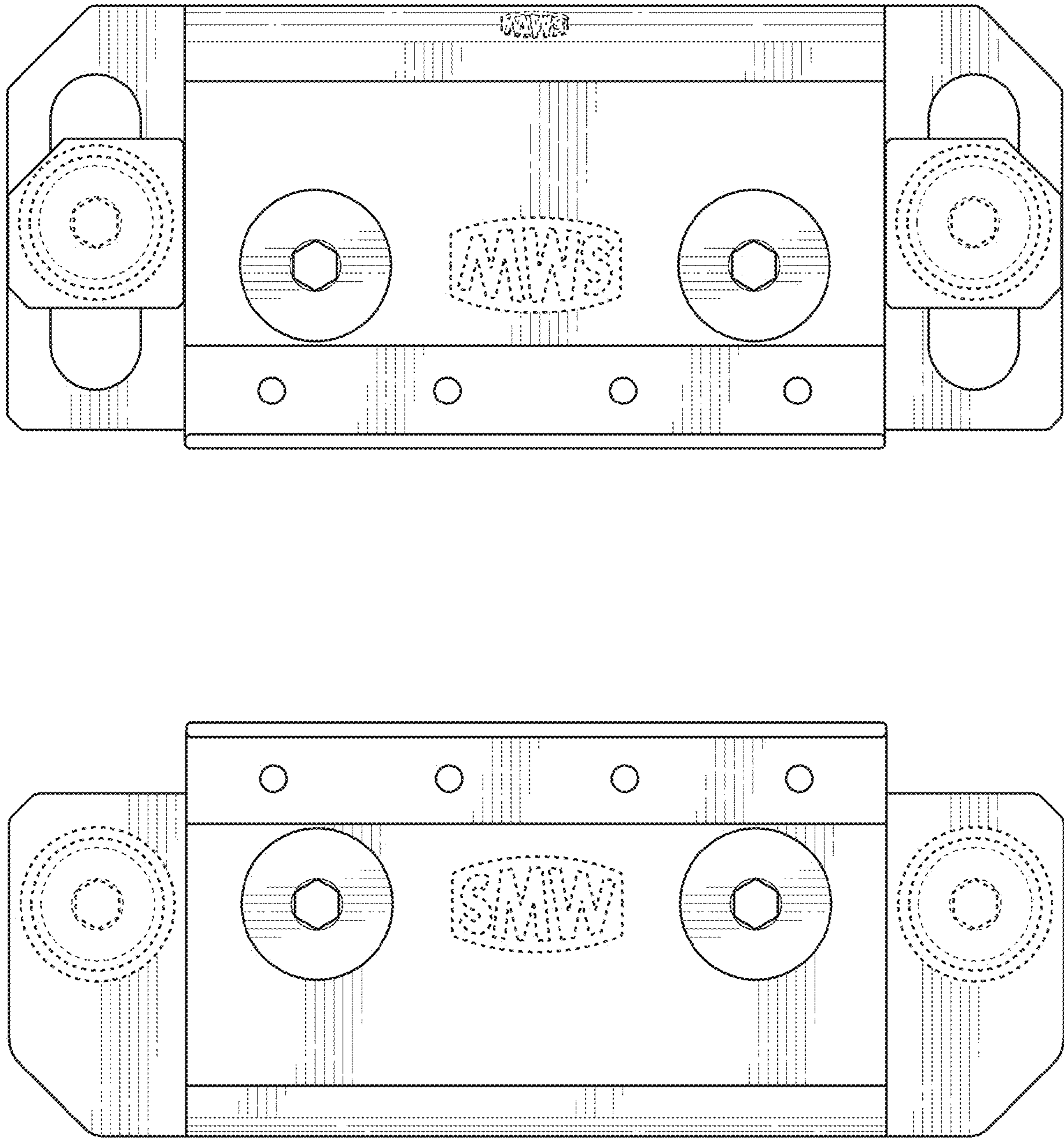


FIG. 2

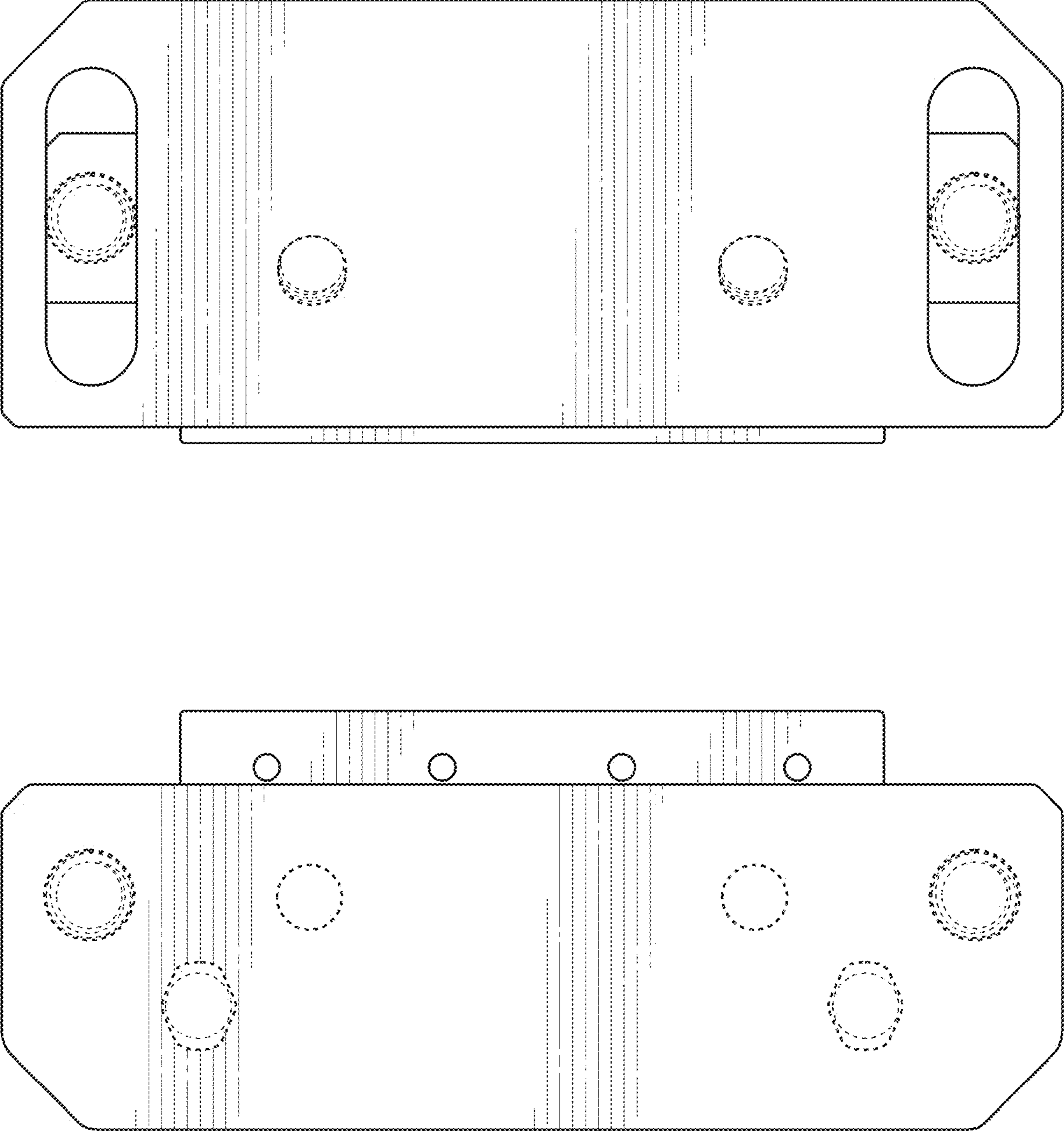


FIG. 3

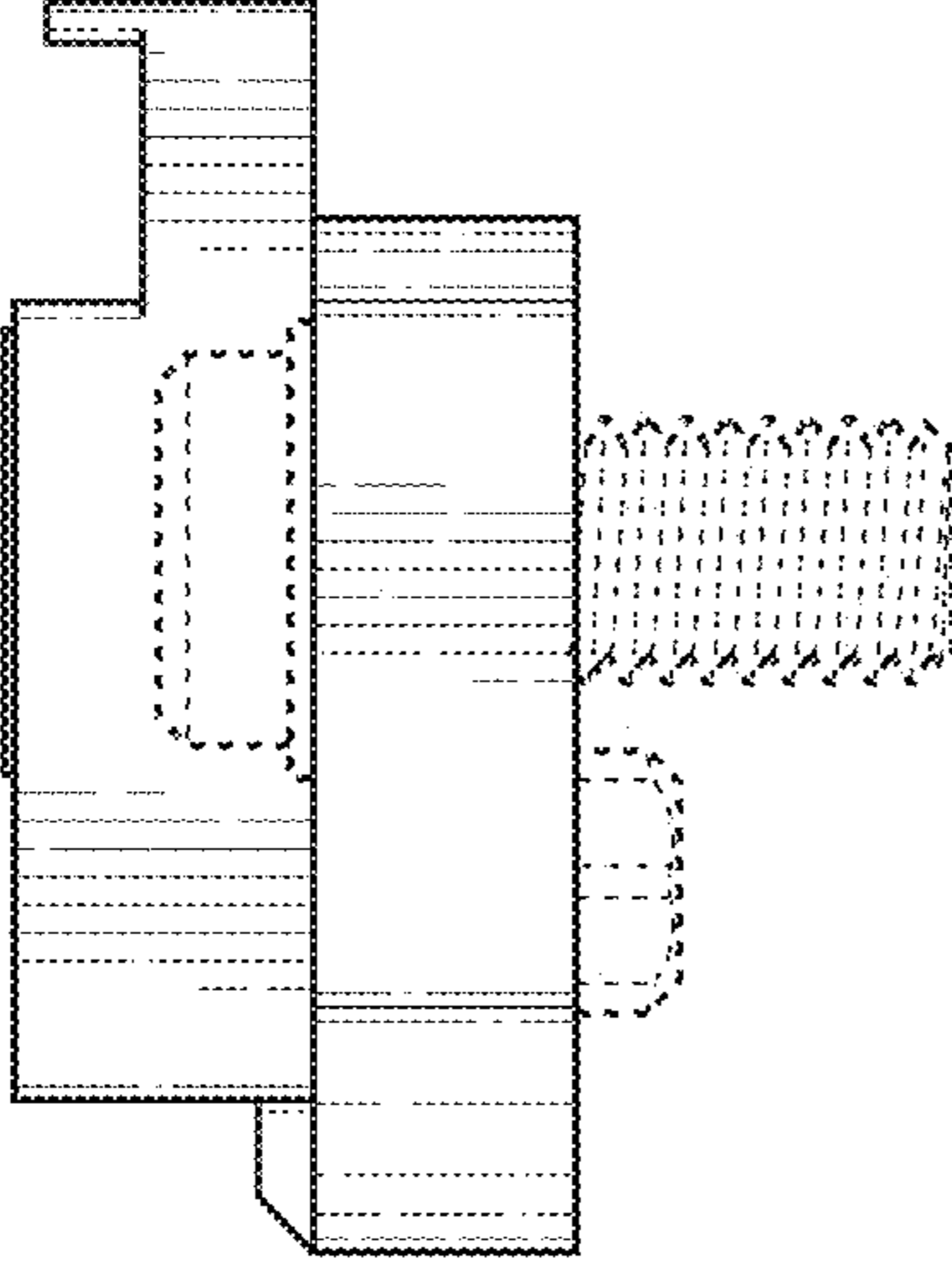
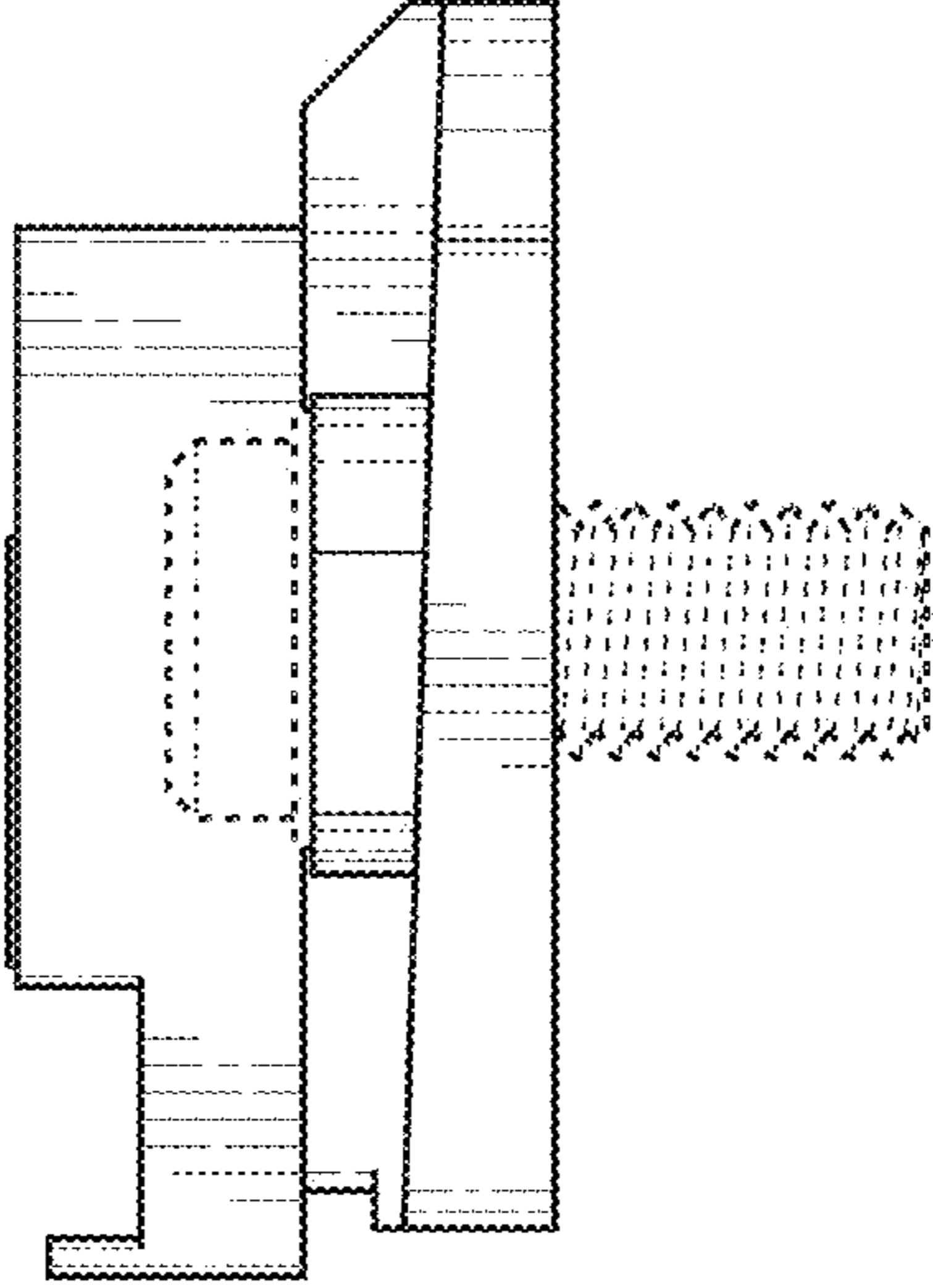


FIG. 4

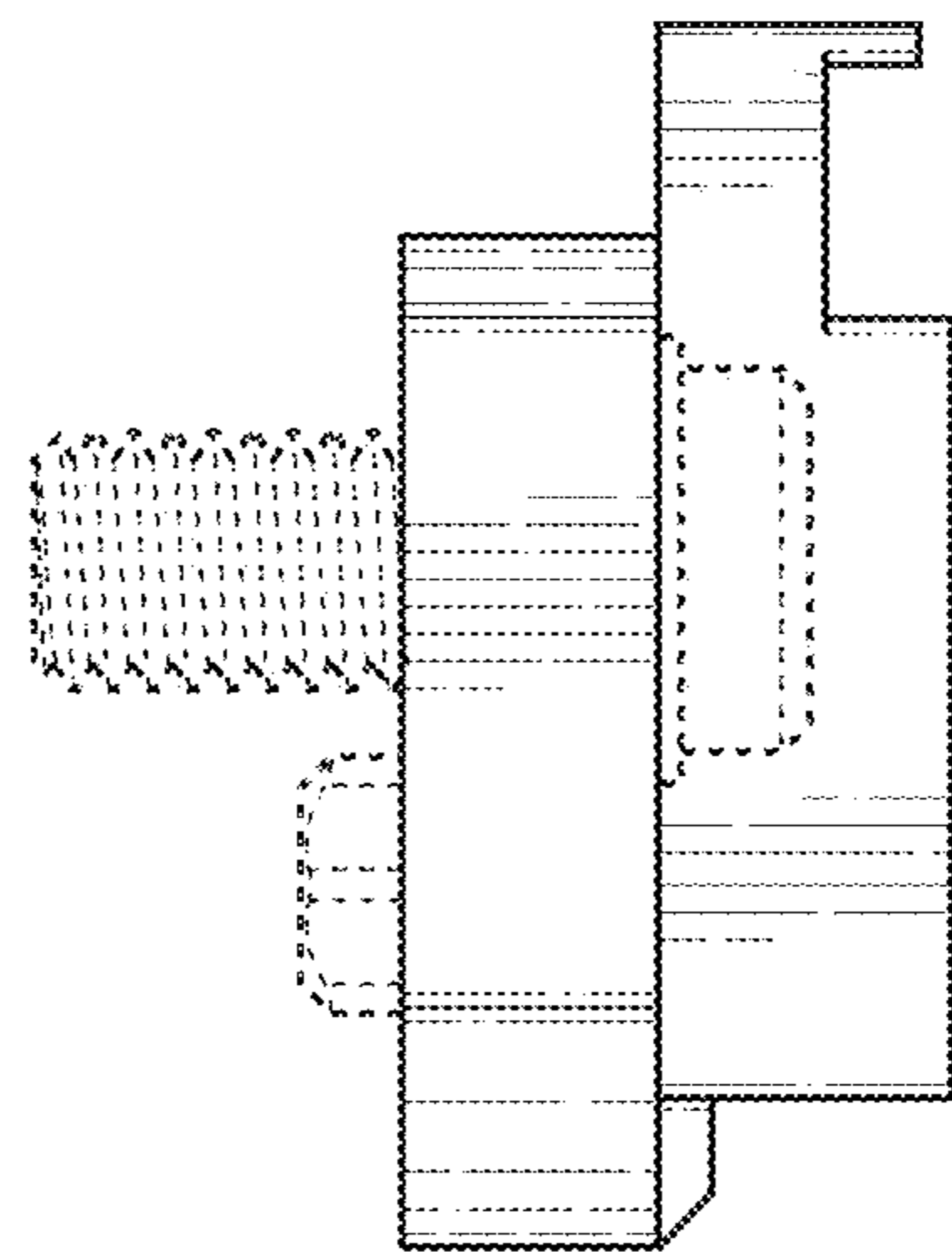
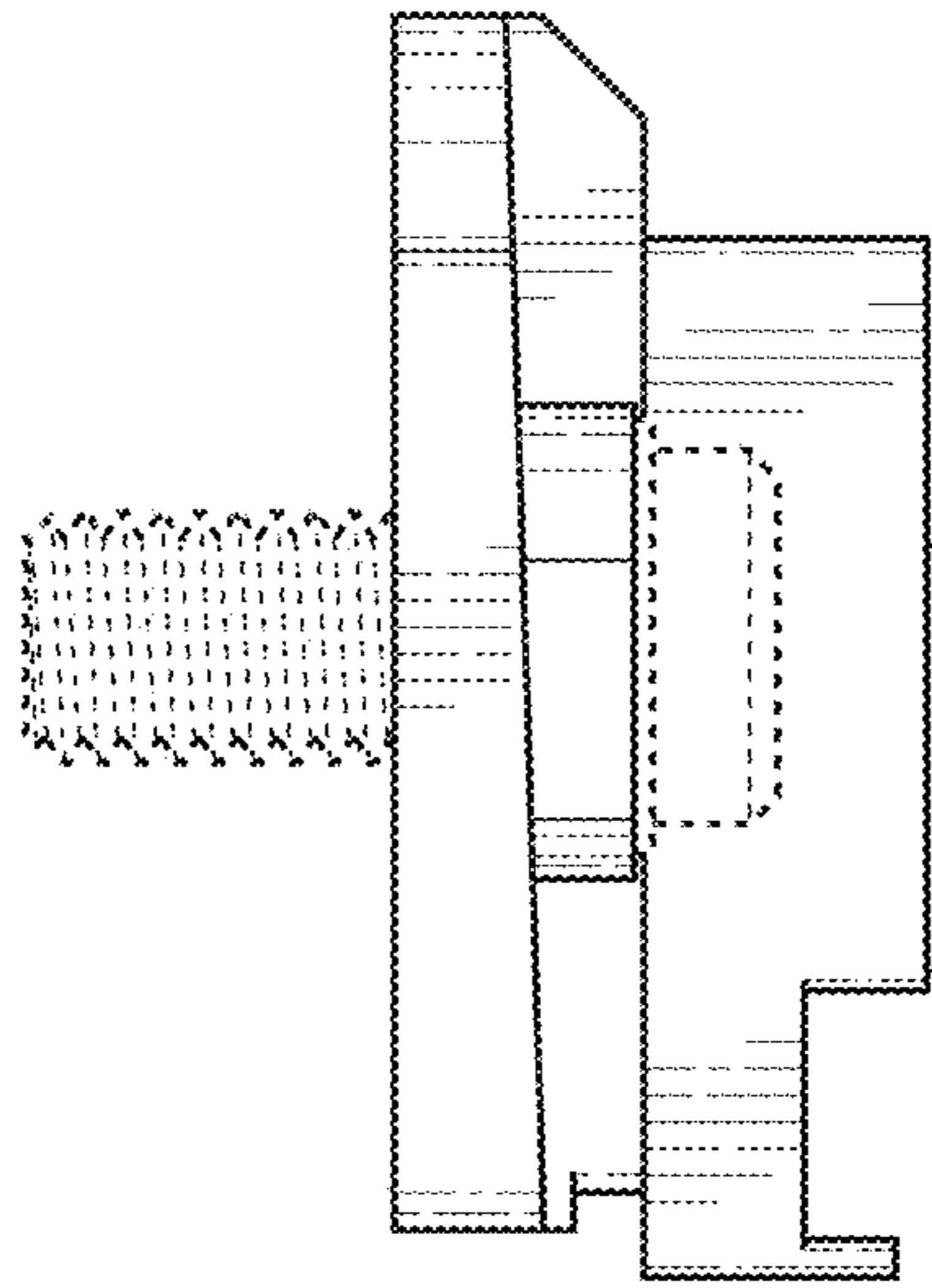


FIG. 5

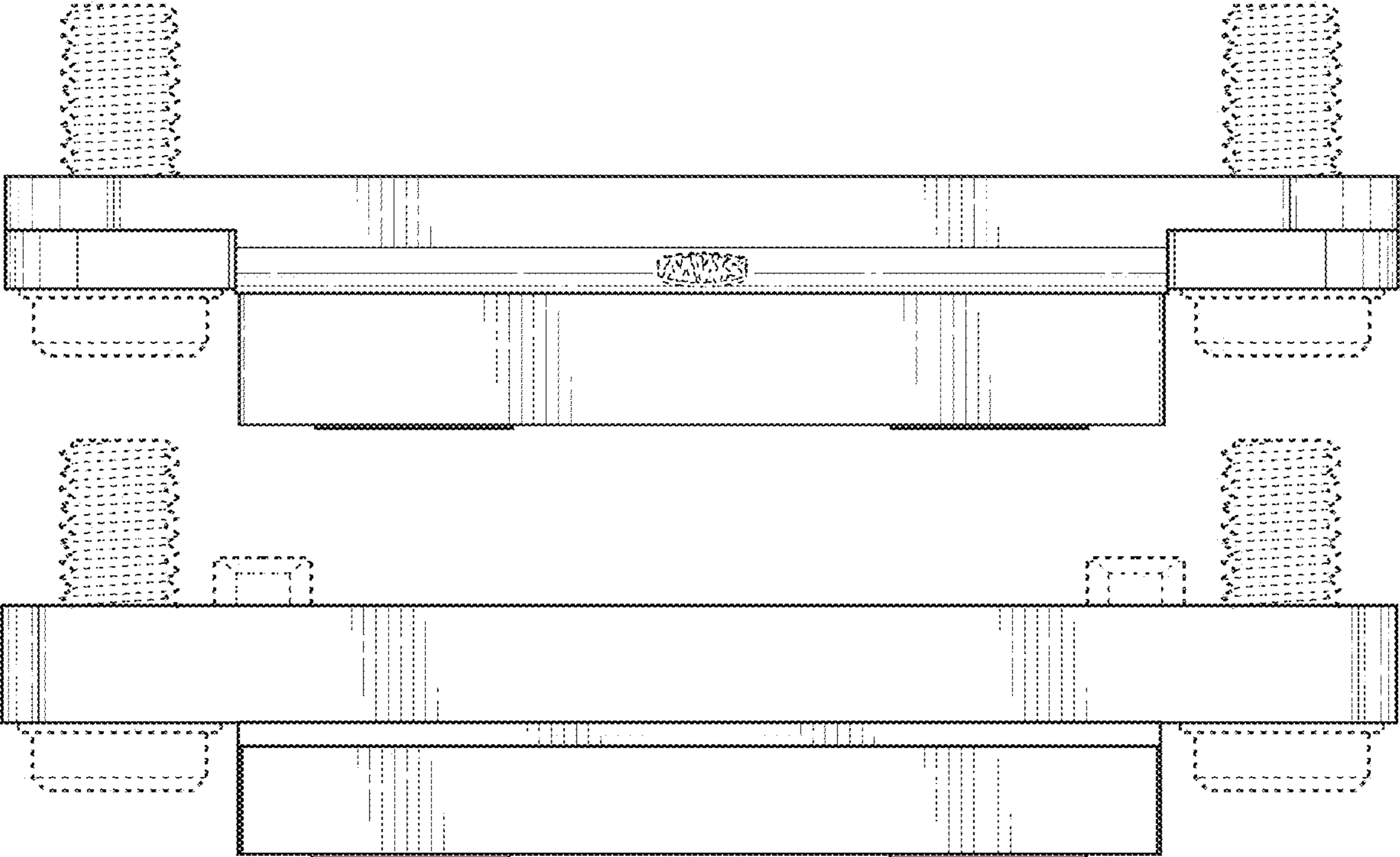


FIG. 6

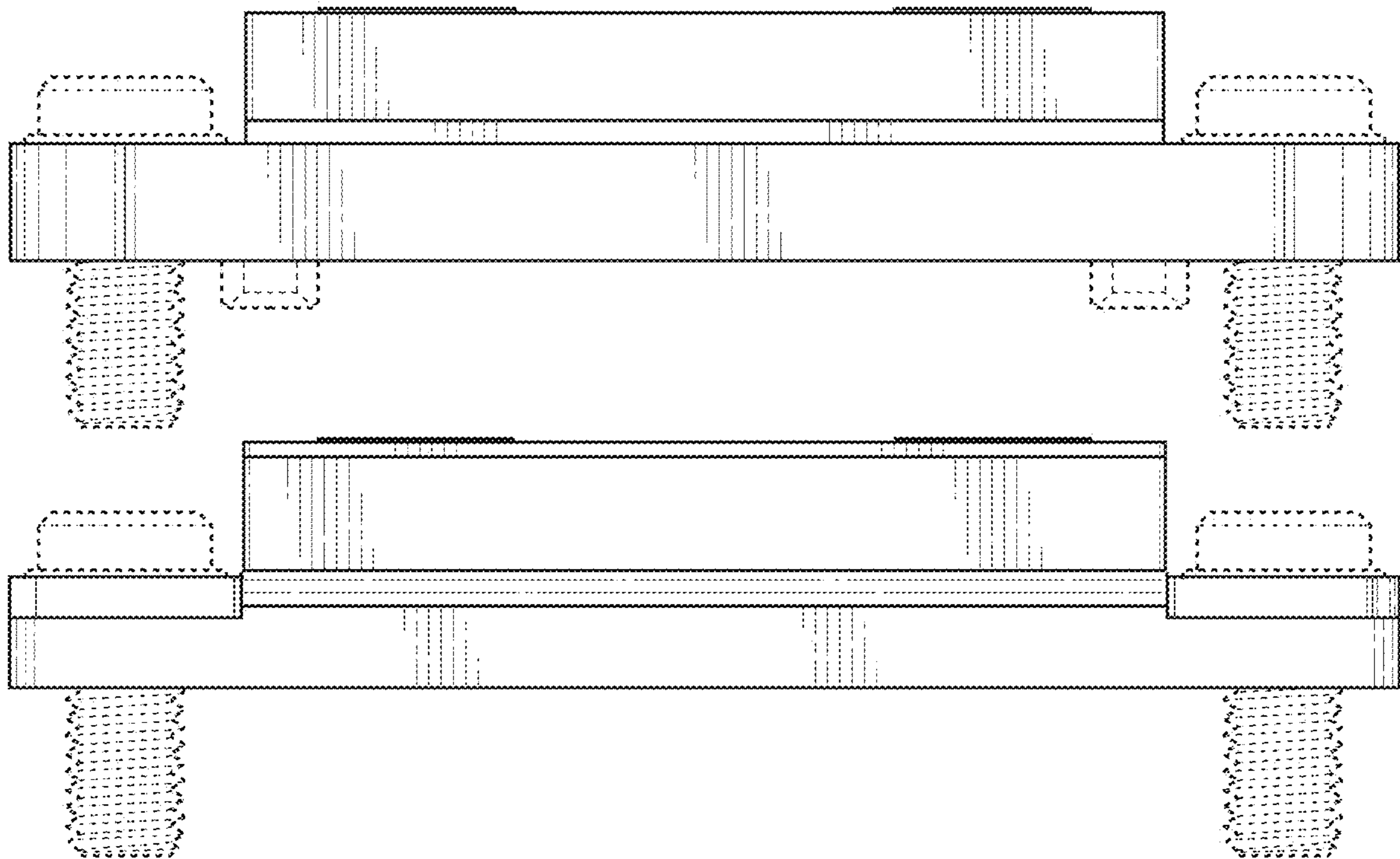


FIG. 7