

US00D976293S

(12) **United States Design Patent** (10) **Patent No.:** **US D976,293 S**
Song (45) **Date of Patent:** **** Jan. 24, 2023**

(54) **DRILL BIT** D656,611 S * 3/2012 Garcia D15/139
8,366,356 B2 * 2/2013 Novak B23B 51/0473
408/239 R

(71) Applicant: **SEOUL FASTENING CO., LTD.,** RE46,103 E * 8/2016 Novak B23B 51/04
Seoul (KR) D779,046 S * 2/2017 Tansey, Jr. D23/262

(72) Inventor: **Yun Ku Song,** Seoul (KR) 10,155,269 B2 * 12/2018 Jindai C23C 14/06
10,532,412 B2 * 1/2020 Ward B23B 51/0426
10,605,007 B2 * 3/2020 Kim B23P 5/00

(**) Term: **15 Years** D881,666 S * 4/2020 Andersson D8/86
D886,171 S * 6/2020 Dill D15/139
D894,978 S * 9/2020 Misumi D15/139

(21) Appl. No.: **35/514,541** D903,454 S * 12/2020 Kuhns D8/70
11,007,582 B2 * 5/2021 Lee B23B 49/005
D958,856 S * 7/2022 Kim D15/139

(22) Filed: **Mar. 30, 2022** 2005/0205306 A1 * 9/2005 Miyanaga B23B 51/02
175/323

(80) **Hague Agreement Data** 2007/0278016 A1 * 12/2007 Koch E21B 10/445
175/420.1

Int. Filing Date: **Mar. 30, 2022** 2010/0135741 A1 * 6/2010 Probst B23B 51/02
408/230

Int. Reg. No.: **DM/221338** 2011/0167966 A1 * 7/2011 Liu B25B 13/06
81/177.8

Int. Reg. Date: **Mar. 30, 2022** 2012/0099943 A1 * 4/2012 Chiu F16B 5/0208
411/347

Int. Reg. Pub. Date: **Jul. 1, 2022**

(30) **Foreign Application Priority Data**

Oct. 13, 2021 (KR) 30-2021-0048307

(51) **LOC (14) Cl.** **15-09**

(52) **U.S. Cl.**
USPC **D15/139**

(58) **Field of Classification Search**
USPC D8/70; D15/21, 126, 131, 138, 139, 140
CPC ... B23B 51/02; B23B 51/009; B23B 51/0081;
B23B 35/00; B27G 15/00
See application file for complete search history.

(56) **References Cited**

U.S. PATENT DOCUMENTS

4,629,375 A * 12/1986 Lieser B25B 23/0035
408/239 R

D428,027 S * 7/2000 Kouvelis D15/139

RE37,149 E * 5/2001 Hartlohner B23B 27/141
D15/139

D456,990 S * 5/2002 Lusty D3/228

D633,769 S * 3/2011 Evatt D8/70

* cited by examiner

Primary Examiner — Patricia A Palasik

(57) **CLAIM**

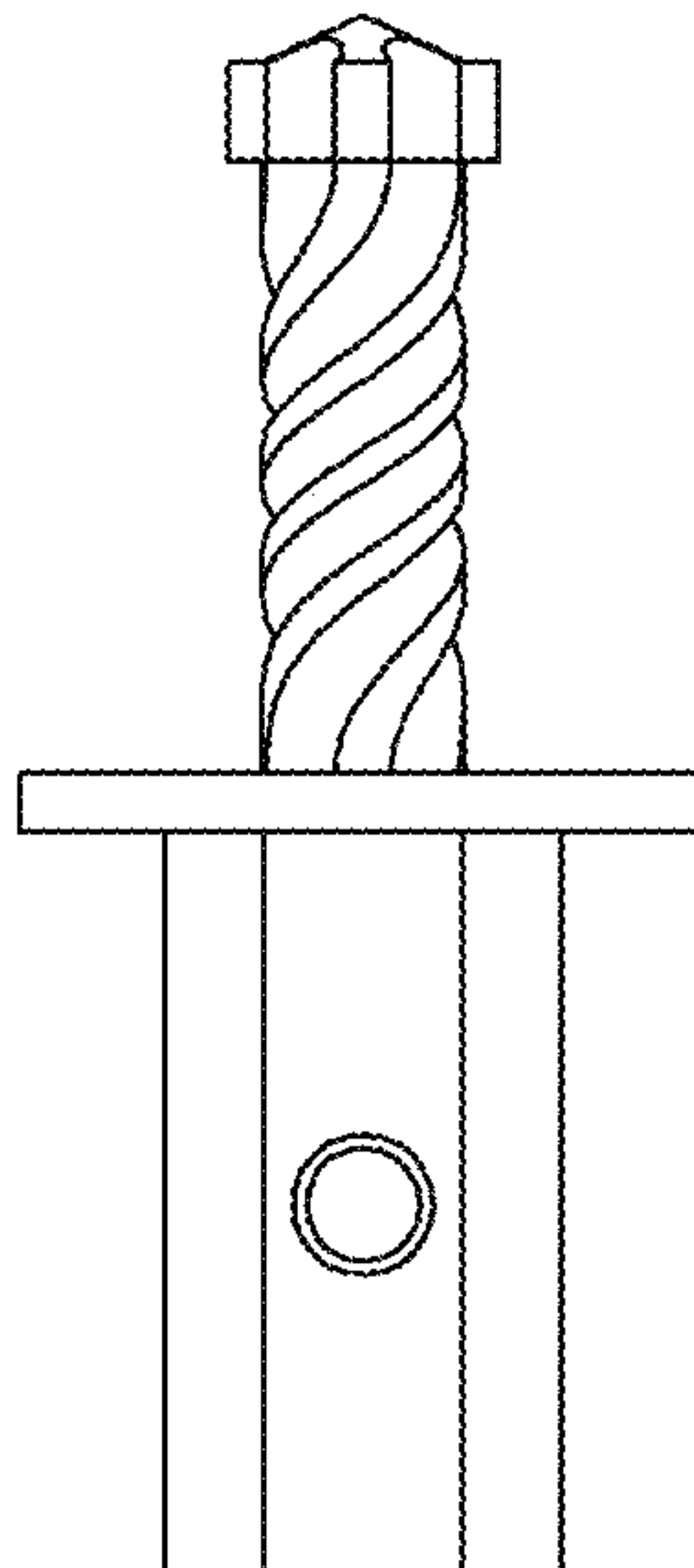
The ornamental design for a drill bit, as shown and described.

DESCRIPTION

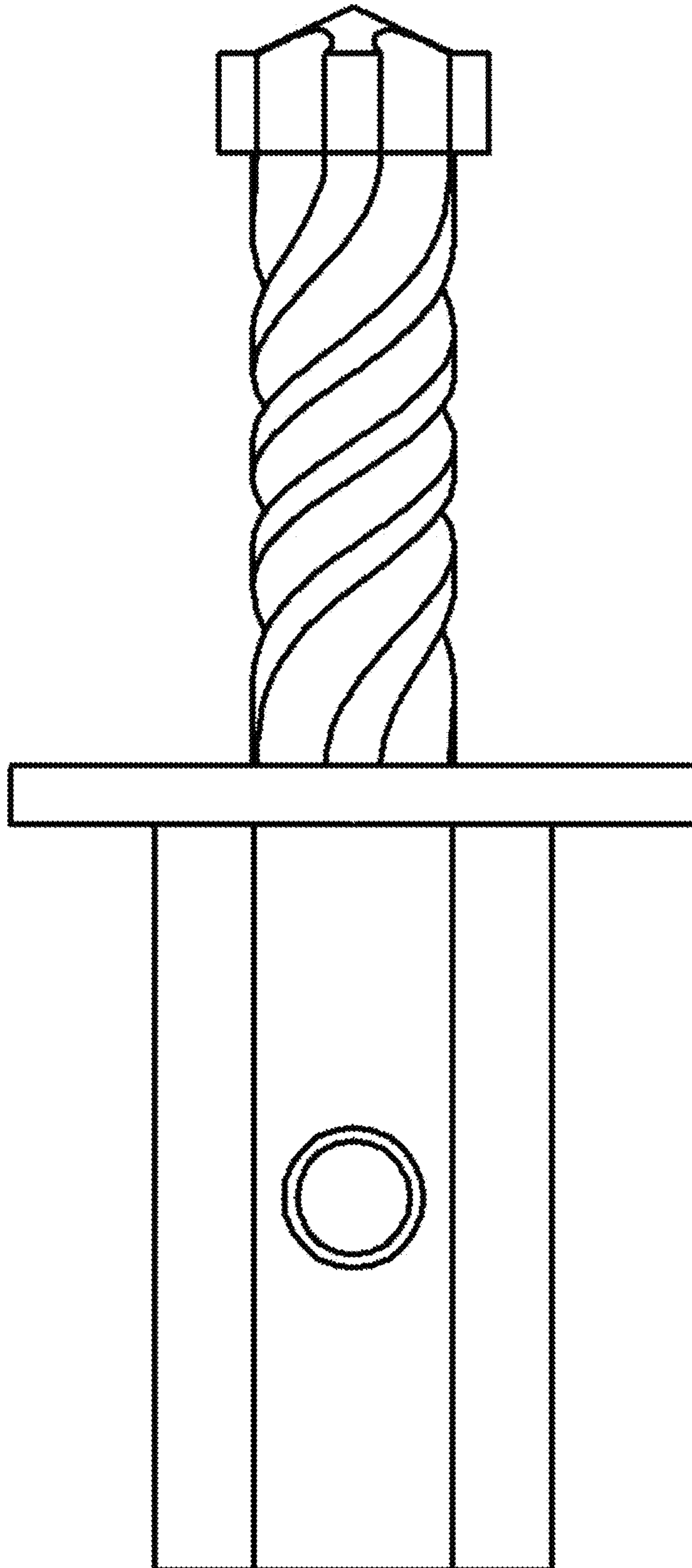
- 1. Drill bit
- 1.1 : Front
- 1.2 : Perspective
- 1.3 : Back
- 1.4 : Top
- 1.5 : Bottom
- 1.6 : Left
- 1.7 : Right

The subject design is a drill bit for drilling concrete.

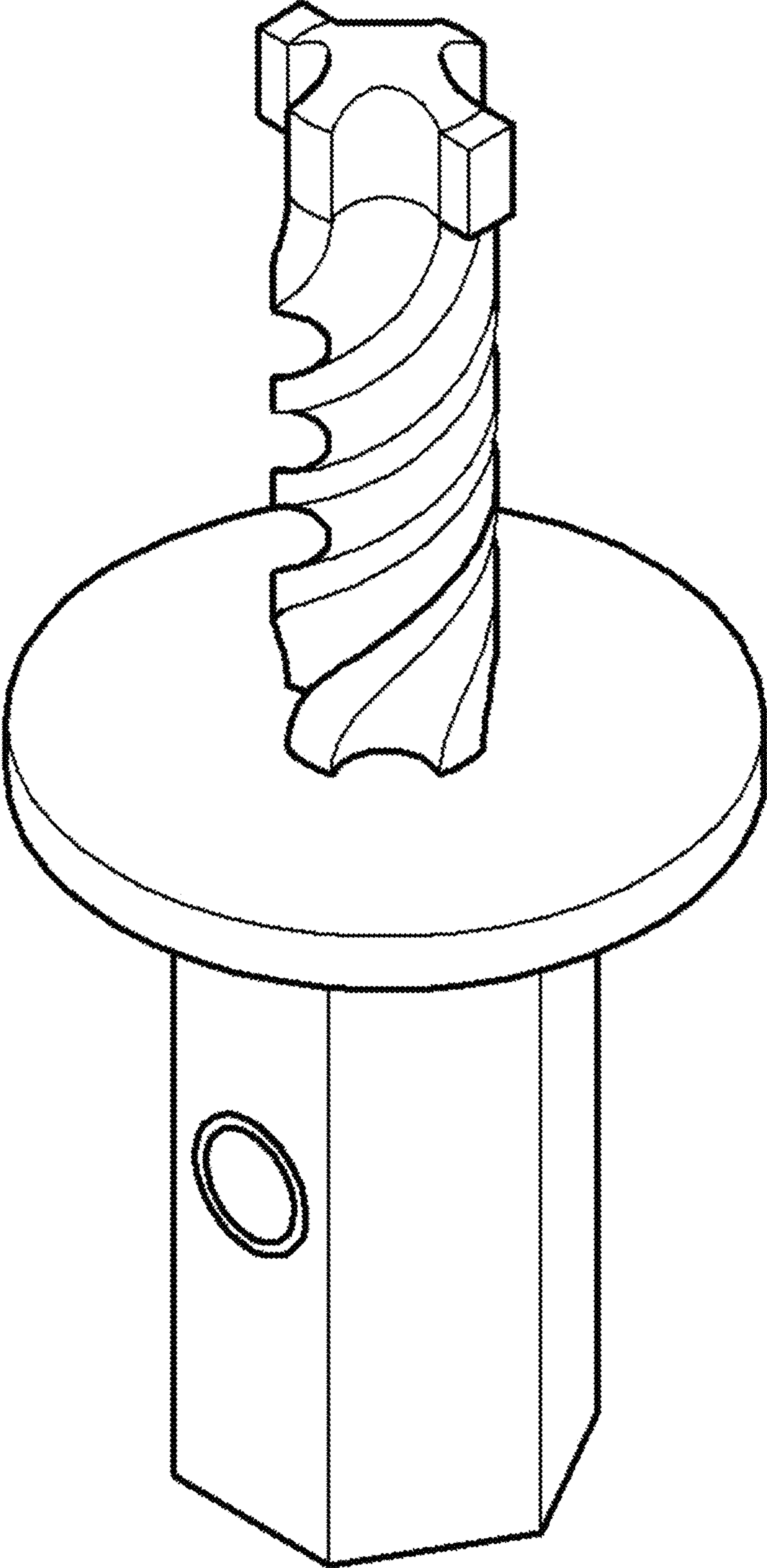
1 Claim, 7 Drawing Sheets



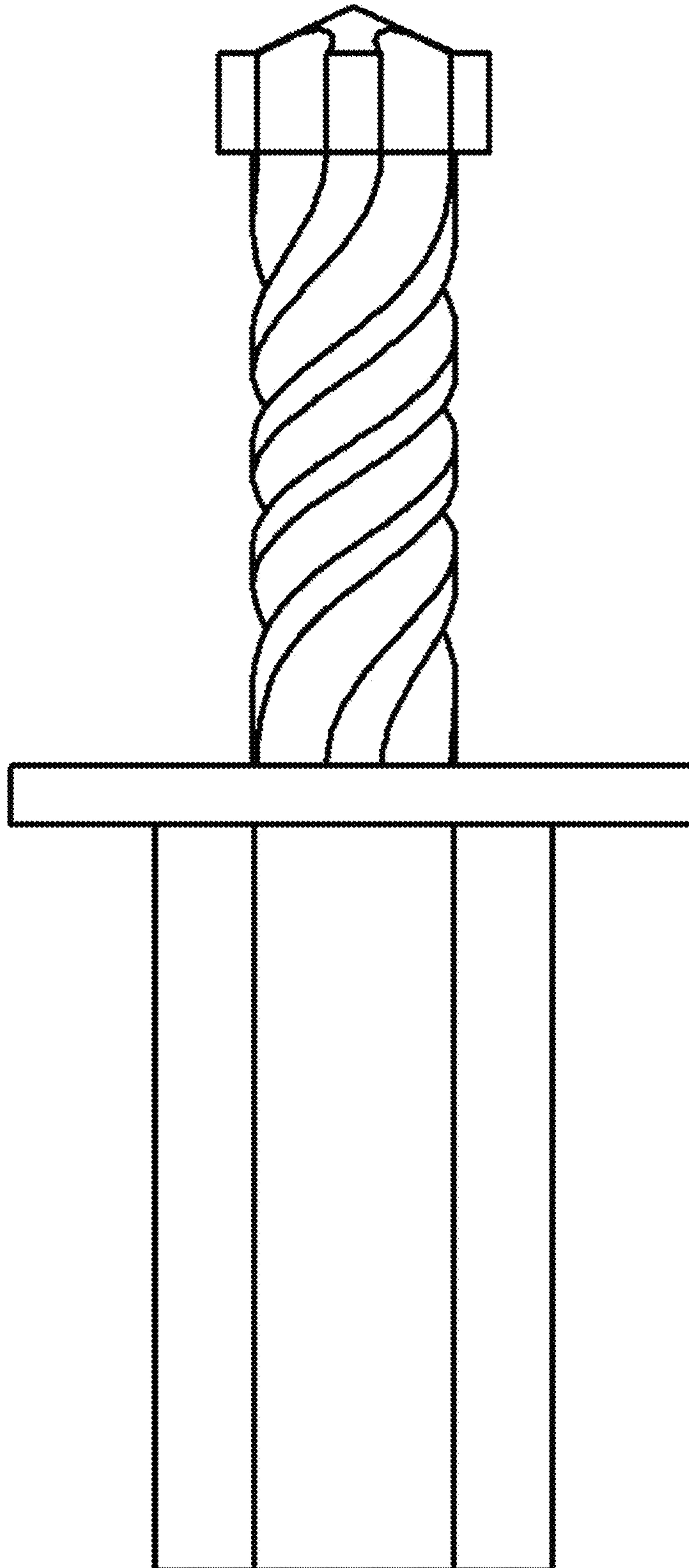
1.1



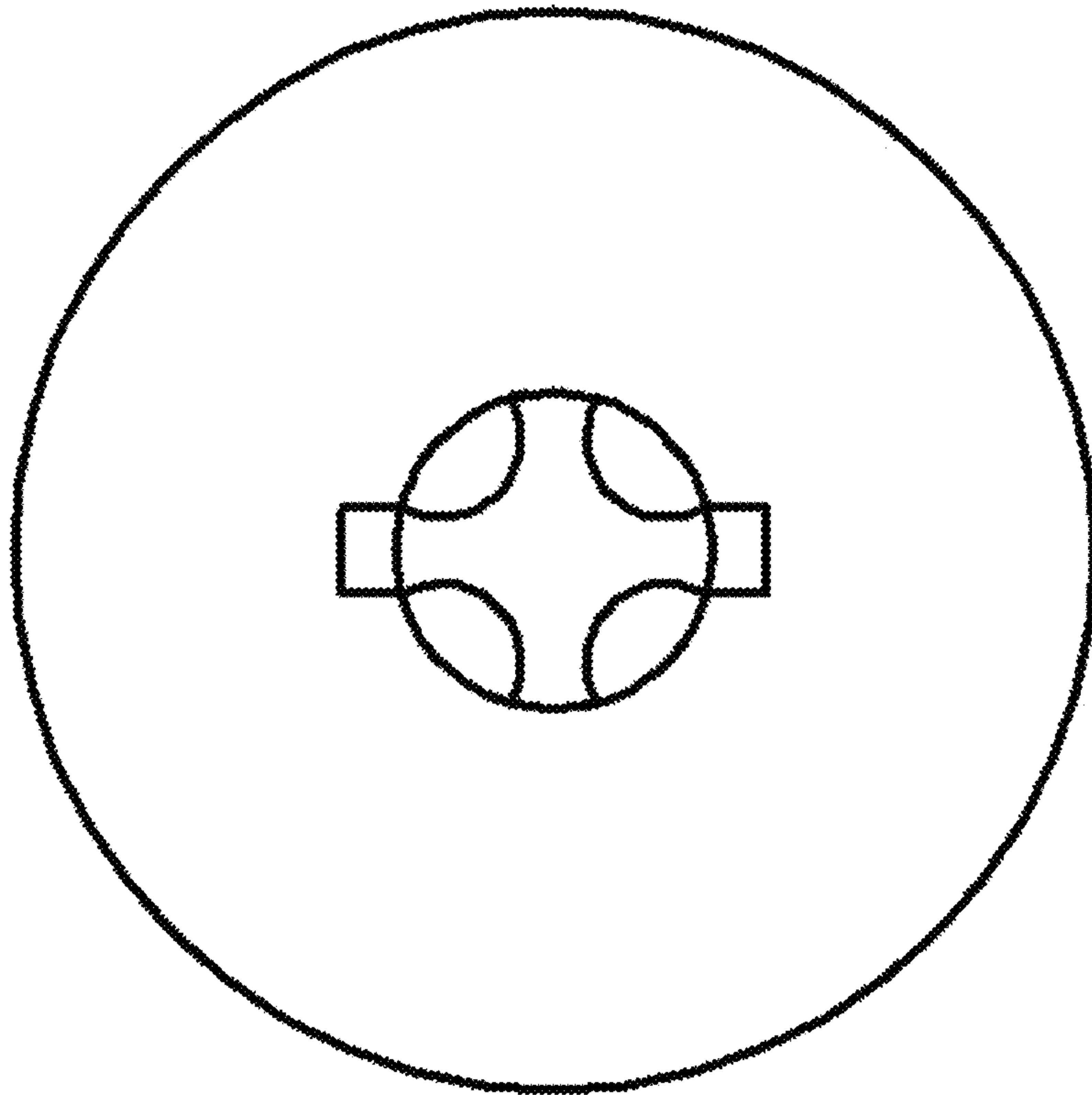
1.2



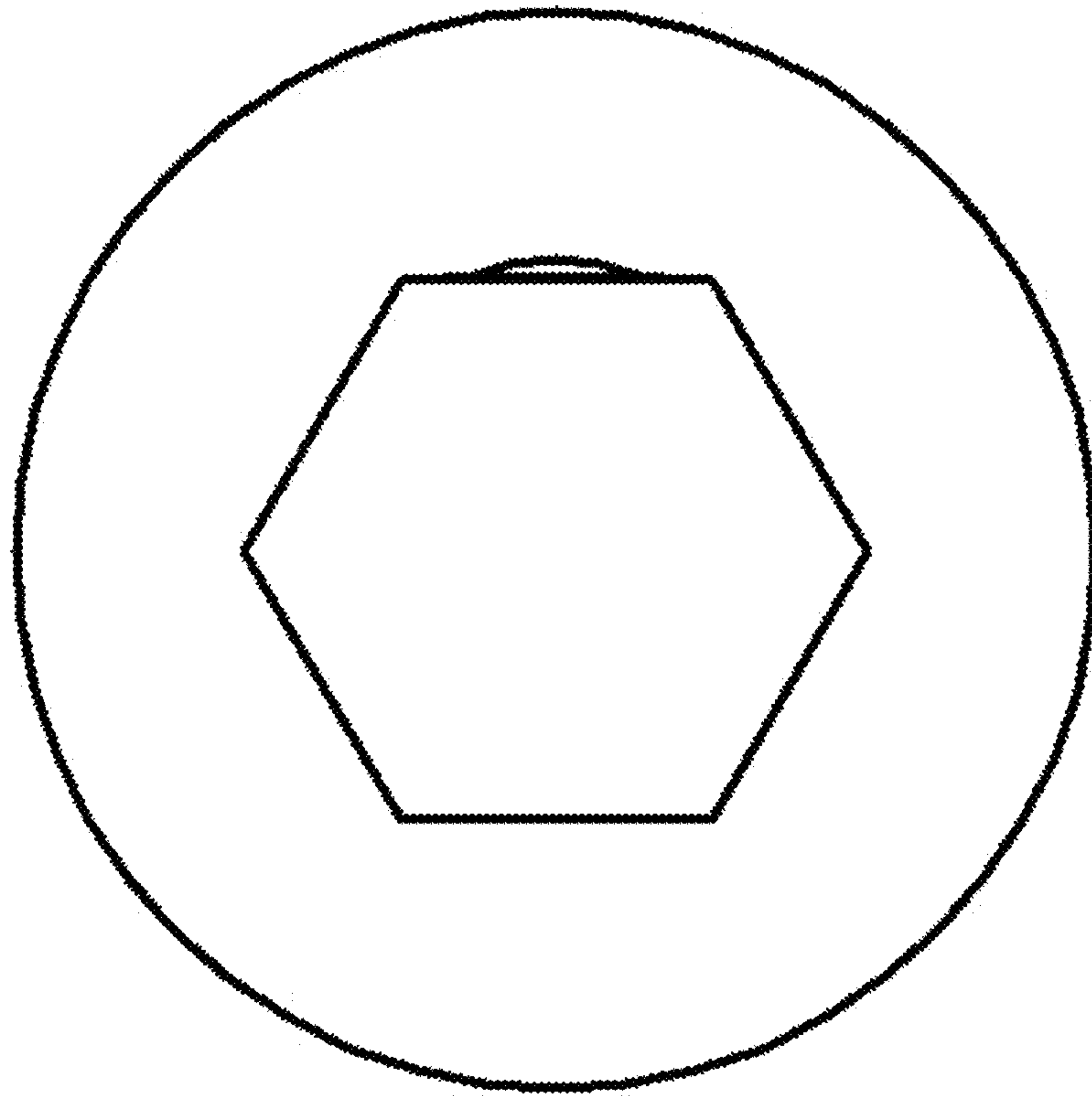
1.3



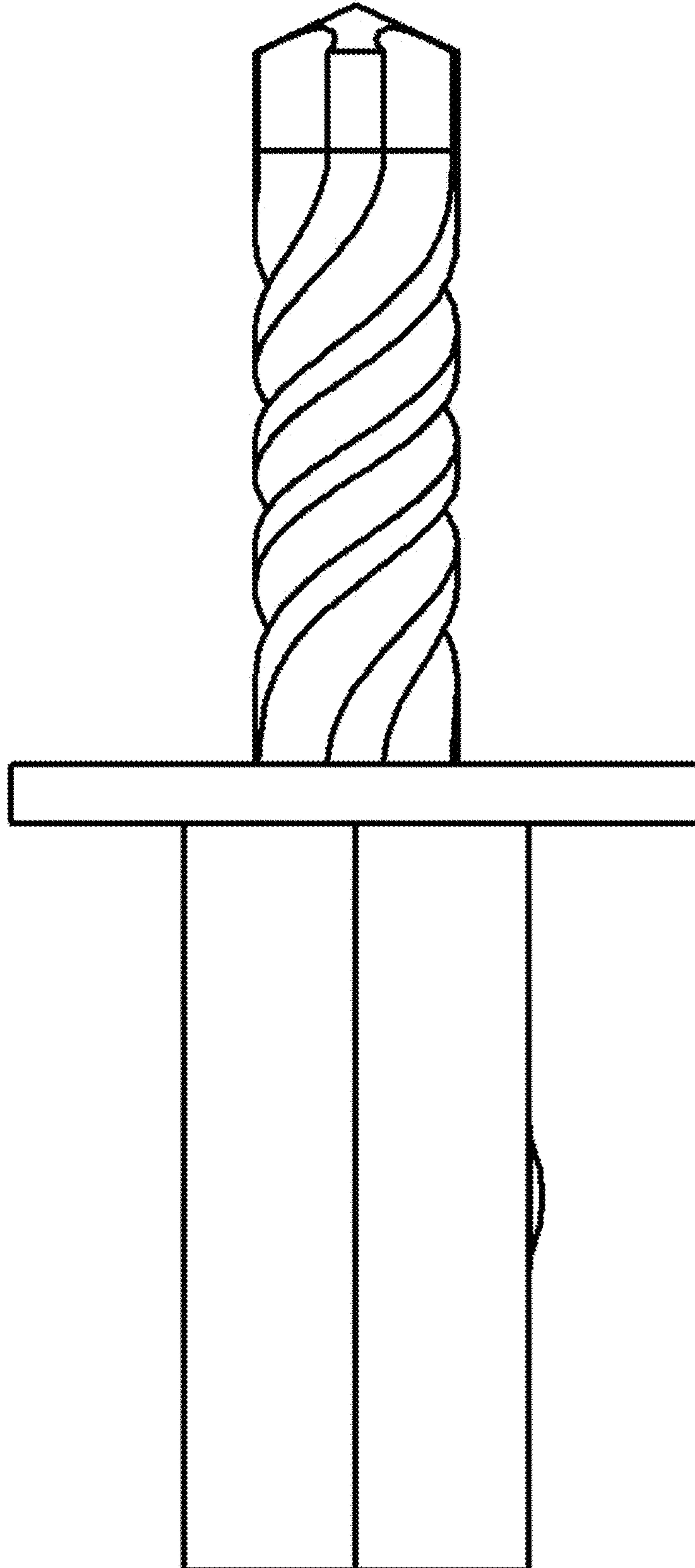
1.4



1.5



1.6



1.7

