

US00D976292S

(12) **United States Design Patent**  
**Liu**

(10) **Patent No.:** **US D976,292 S**  
(45) **Date of Patent:** **\*\* Jan. 24, 2023**

(54) **TABLE TOP SAW**

(71) Applicant: **Shenzhen Aichuang Technology Education Co., Ltd, Shenzhen (CN)**

(72) Inventor: **Mingjun Liu, Shenzhen (CN)**

(\*\*) Term: **15 Years**

(21) Appl. No.: **29/847,642**

(22) Filed: **Jul. 27, 2022**

(30) **Foreign Application Priority Data**

Feb. 14, 2022 (CN) ..... 202230071799.9

(51) **LOC (14) Cl.** ..... **15-09**

(52) **U.S. Cl.**  
USPC ..... **D15/134**

(58) **Field of Classification Search**

USPC ..... D8/8, 66, 70; D15/17, 28, 29, 124-134, D15/138-143

CPC ..... B23D 45/06; B23D 45/14; B23D 45/16; B23D 45/146; B23D 45/024; B23D 45/042; B23D 45/044; B23D 45/048; B23D 45/062; B23D 45/065; B23D 45/066; B23D 45/068; B23D 47/00; B23D 47/02; B23D 47/08; B23D 47/10; B23D 47/12; B23D 47/045; B23D 47/123; B23D 57/0092; B23D 59/00; B23D 59/003; B23D 59/006

See application file for complete search history.

(56) **References Cited**

**U.S. PATENT DOCUMENTS**

D228,687 S \* 10/1973 Schilling ..... D15/69  
4,036,092 A \* 7/1977 Kaltenbach ..... B23D 47/08  
83/490  
D250,649 S \* 12/1978 Hirano ..... D15/70  
D265,652 S \* 8/1982 Eguchi ..... D15/70

D281,782 S \* 12/1985 Eguchi ..... D15/69  
D286,054 S \* 10/1986 Shibuya ..... D15/69  
D286,537 S \* 11/1986 Yamamoto ..... D15/134  
D288,207 S \* 2/1987 Kuroki ..... D15/69  
D289,768 S \* 5/1987 Sakuma ..... D15/69  
D300,832 S \* 4/1989 Kuroki ..... D15/70  
D345,365 S \* 3/1994 Sanvito ..... D15/69  
D349,122 S \* 7/1994 Arehart ..... D15/134  
D394,071 S \* 5/1998 Ceroll ..... D15/133  
D423,022 S \* 4/2000 Brazell ..... D15/133  
D429,260 S \* 8/2000 Ohi ..... D15/133  
D446,228 S \* 8/2001 Hsu ..... D15/133  
D450,721 S \* 11/2001 Kawaguchi ..... D15/69  
D528,571 S \* 9/2006 Welsh ..... D15/133  
D545,330 S 6/2007 DiPasquale et al.  
D611,070 S \* 3/2010 Firth ..... D15/133  
D626,157 S 10/2010 Jebb  
D626,158 S \* 10/2010 Jebb ..... D15/133  
D626,160 S \* 10/2010 Jebb ..... D15/134  
D663,328 S 7/2012 Taylor et al.  
D870,167 S \* 12/2019 Firth ..... D15/133

(Continued)

*Primary Examiner* — Patricia A Palasik

(74) *Attorney, Agent, or Firm* — Rumit Ranjit Kanakia

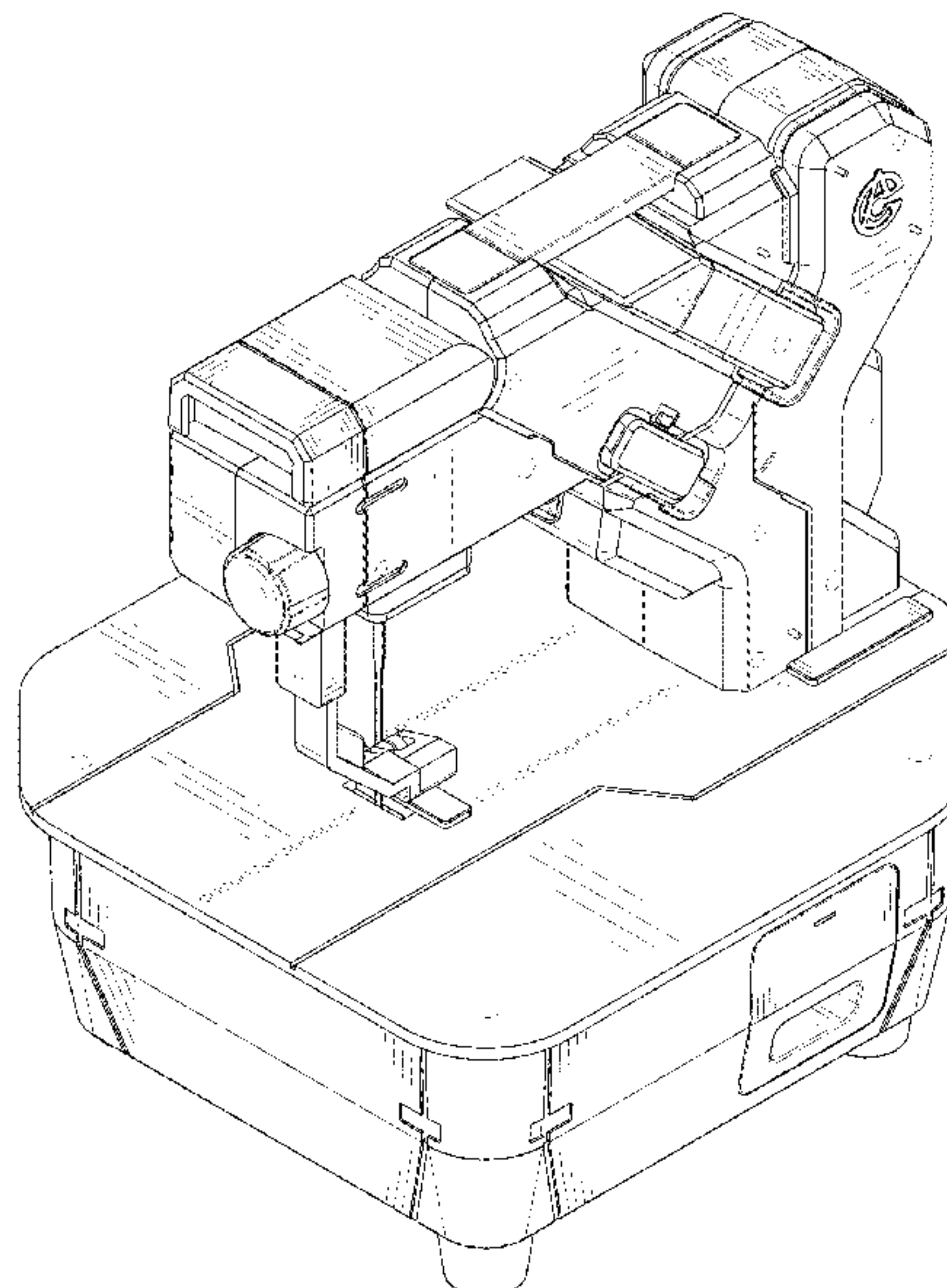
(57) **CLAIM**

The ornamental design for a table top saw, as shown and described.

**DESCRIPTION**

FIG. 1 is a first perspective view of a table top saw showing my new design;  
FIG. 2 is a second perspective view thereof;  
FIG. 3 is a front view thereof;  
FIG. 4 is a back view thereof;  
FIG. 5 is a left side view thereof;  
FIG. 6 is a right side view thereof;  
FIG. 7 is a top view thereof; and,  
FIG. 8 is a bottom view thereof.  
The broken lines shown in the drawings depict portions of the table top saw that form no part of the claimed design.

**1 Claim, 8 Drawing Sheets**



(56)

**References Cited**

U.S. PATENT DOCUMENTS

D891,486 S \* 7/2020 Muto ..... D15/69  
D902,267 S \* 11/2020 Firth ..... D15/133  
D924,282 S \* 7/2021 Liu ..... D15/133  
D938,791 S \* 12/2021 Misawa ..... D8/64  
2004/0187666 A1 \* 9/2004 Huang ..... B23D 47/025  
83/477.2  
2010/0288257 A1 \* 11/2010 Wei ..... B28D 1/047  
125/35  
2012/0006170 A1 \* 1/2012 Frolov ..... B27B 5/243  
83/477.1  
2019/0255633 A1 \* 8/2019 Frolov ..... B23D 47/025  
2019/0255634 A1 \* 8/2019 Frolov ..... B27B 25/10

\* cited by examiner

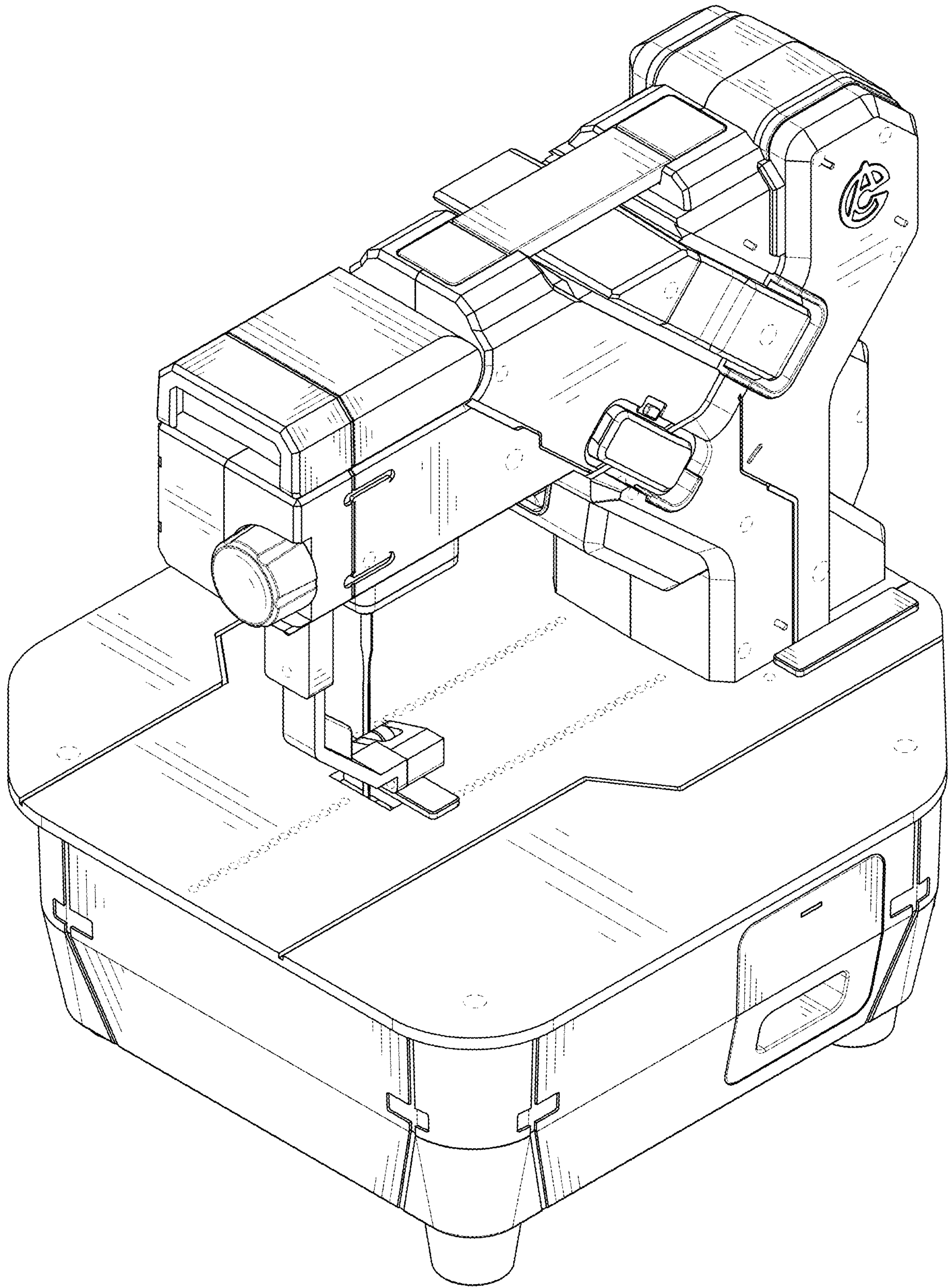


FIG. 1



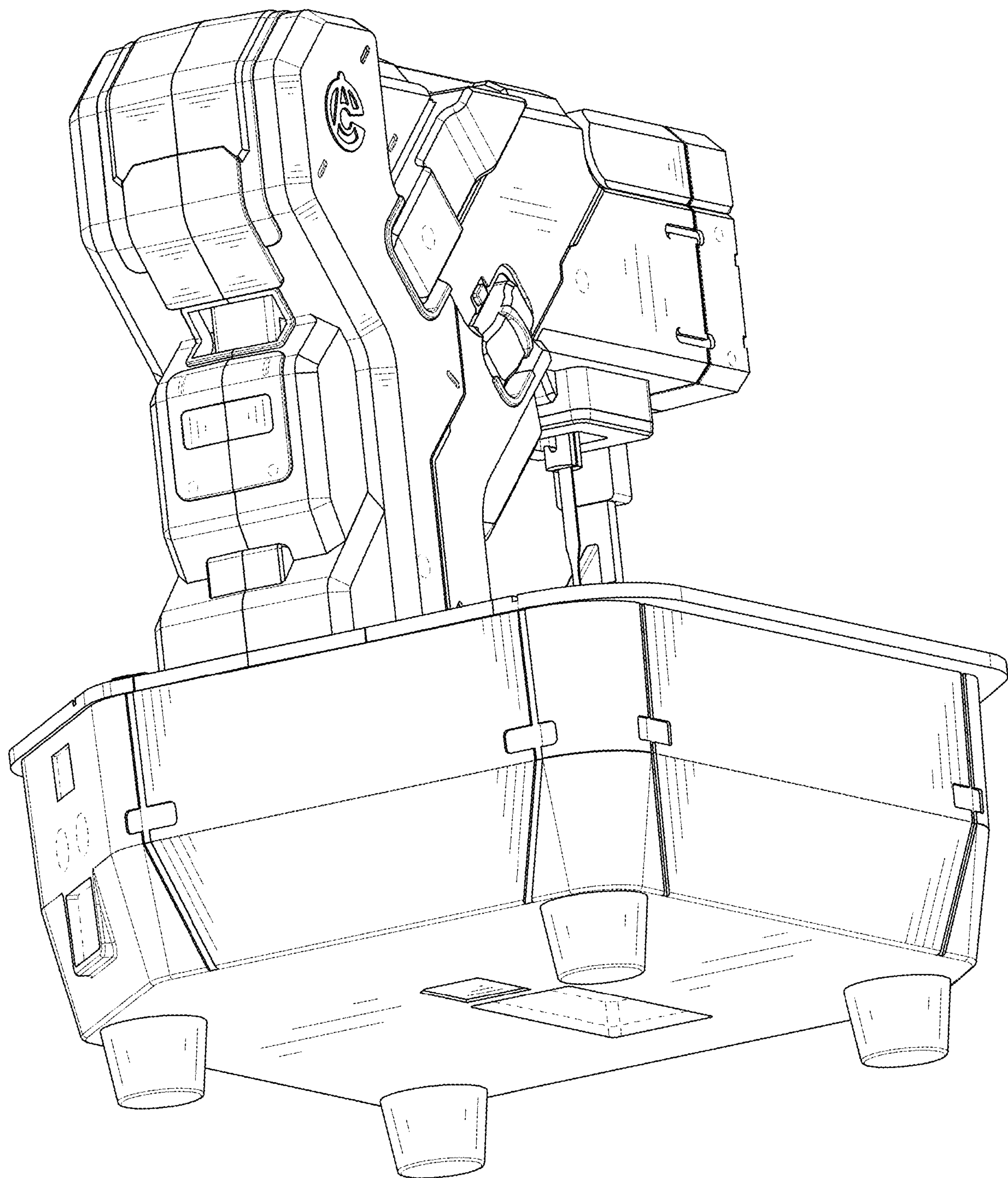


FIG. 2

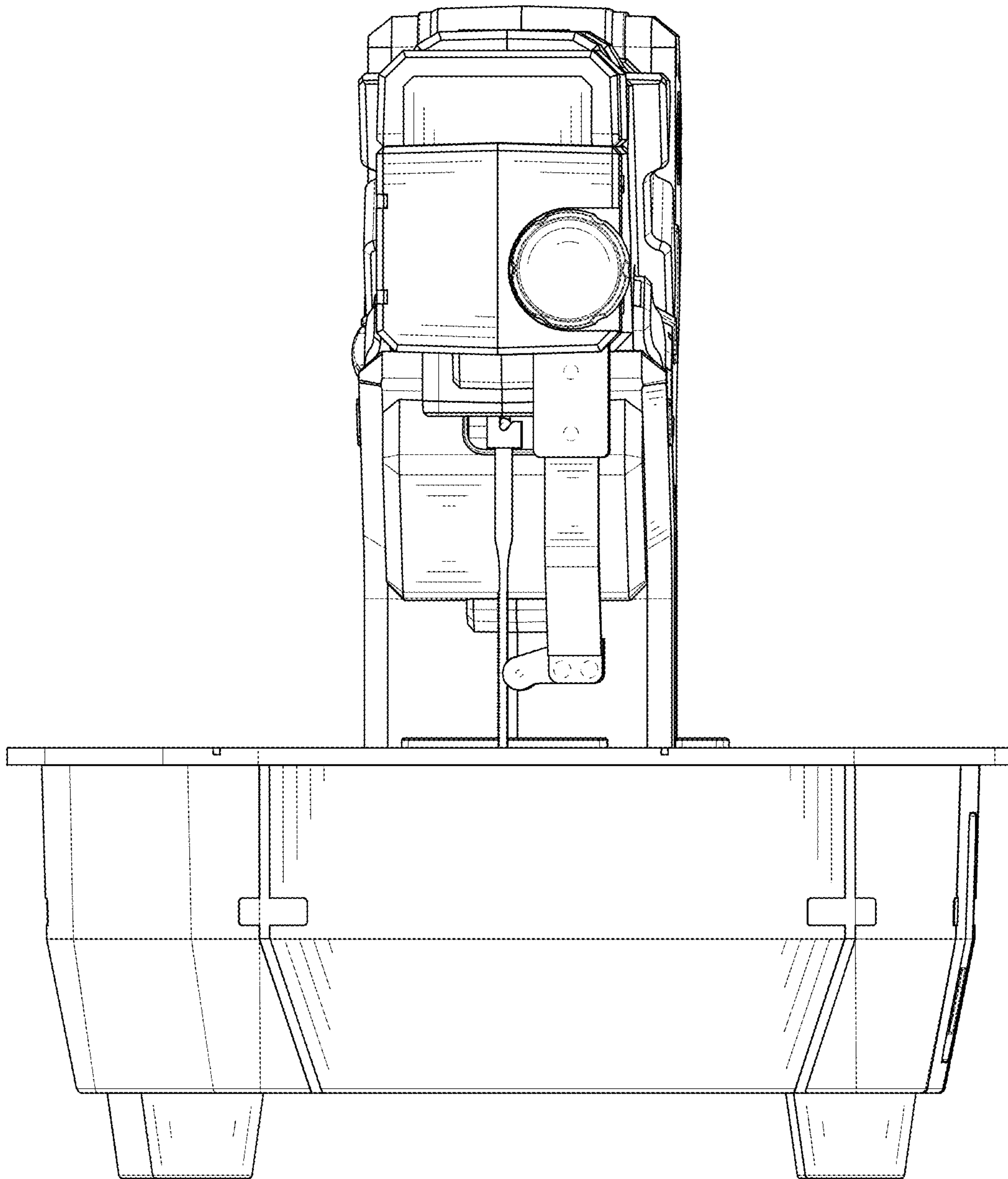


FIG. 3

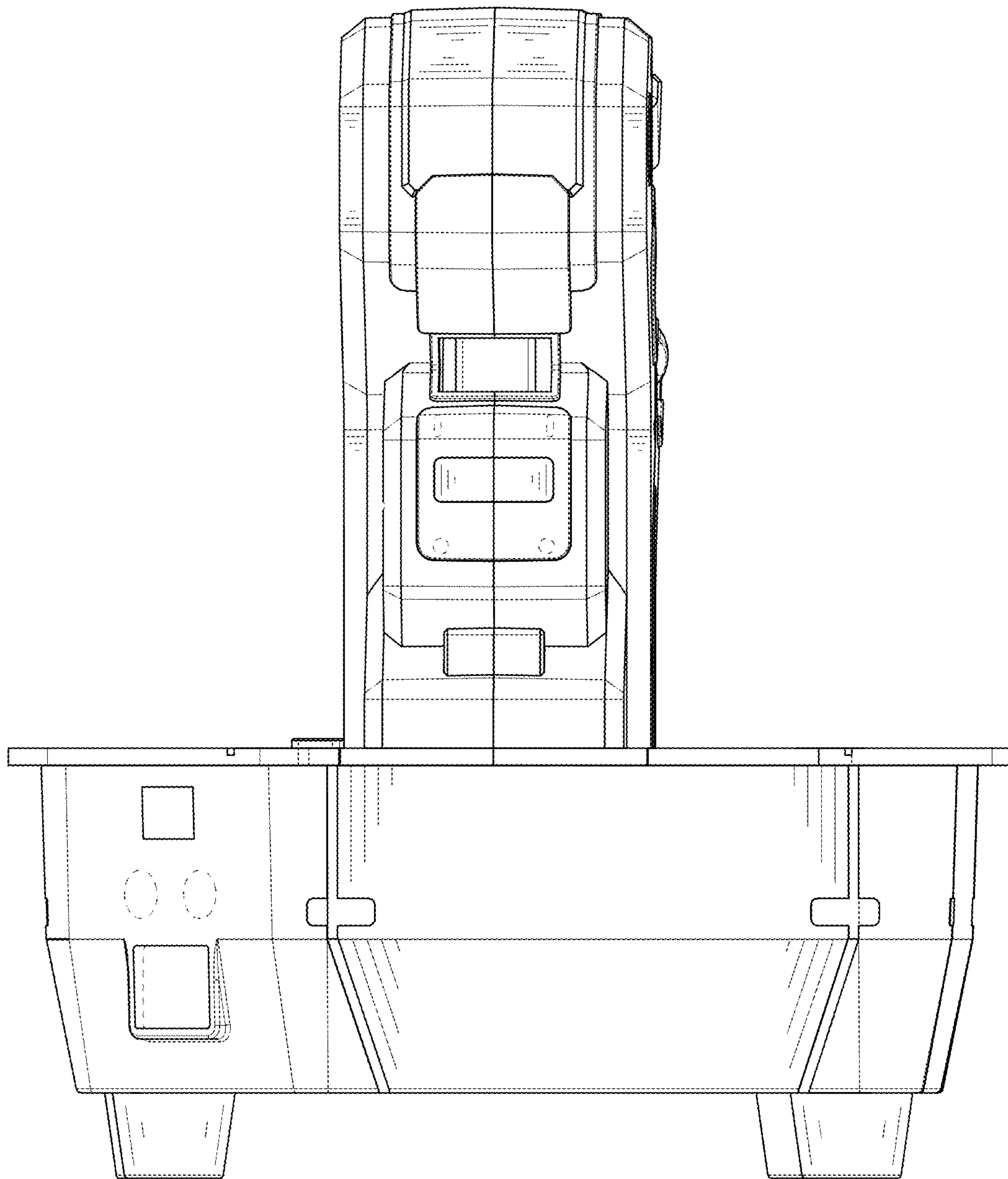


FIG. 4

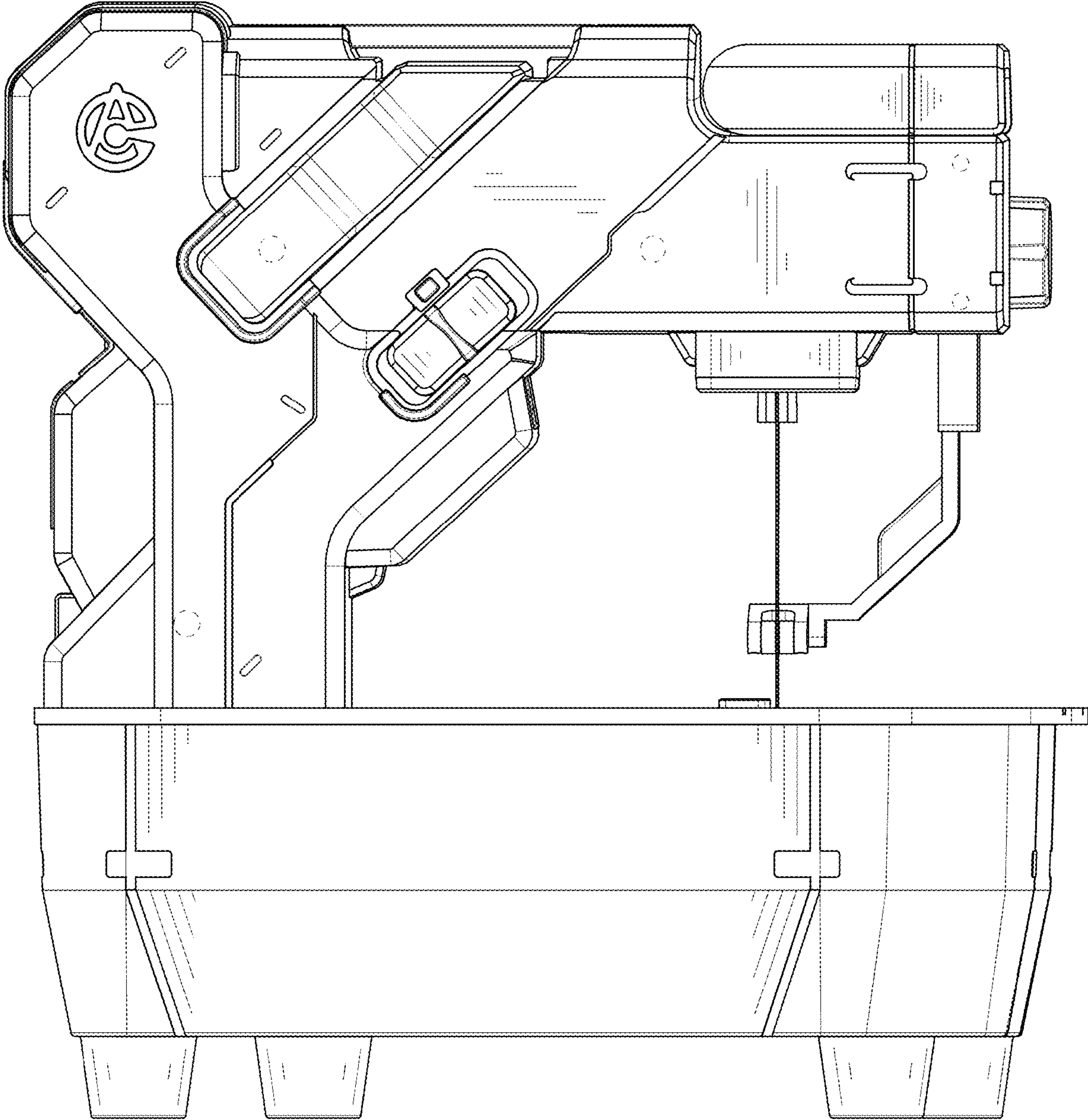


FIG. 5



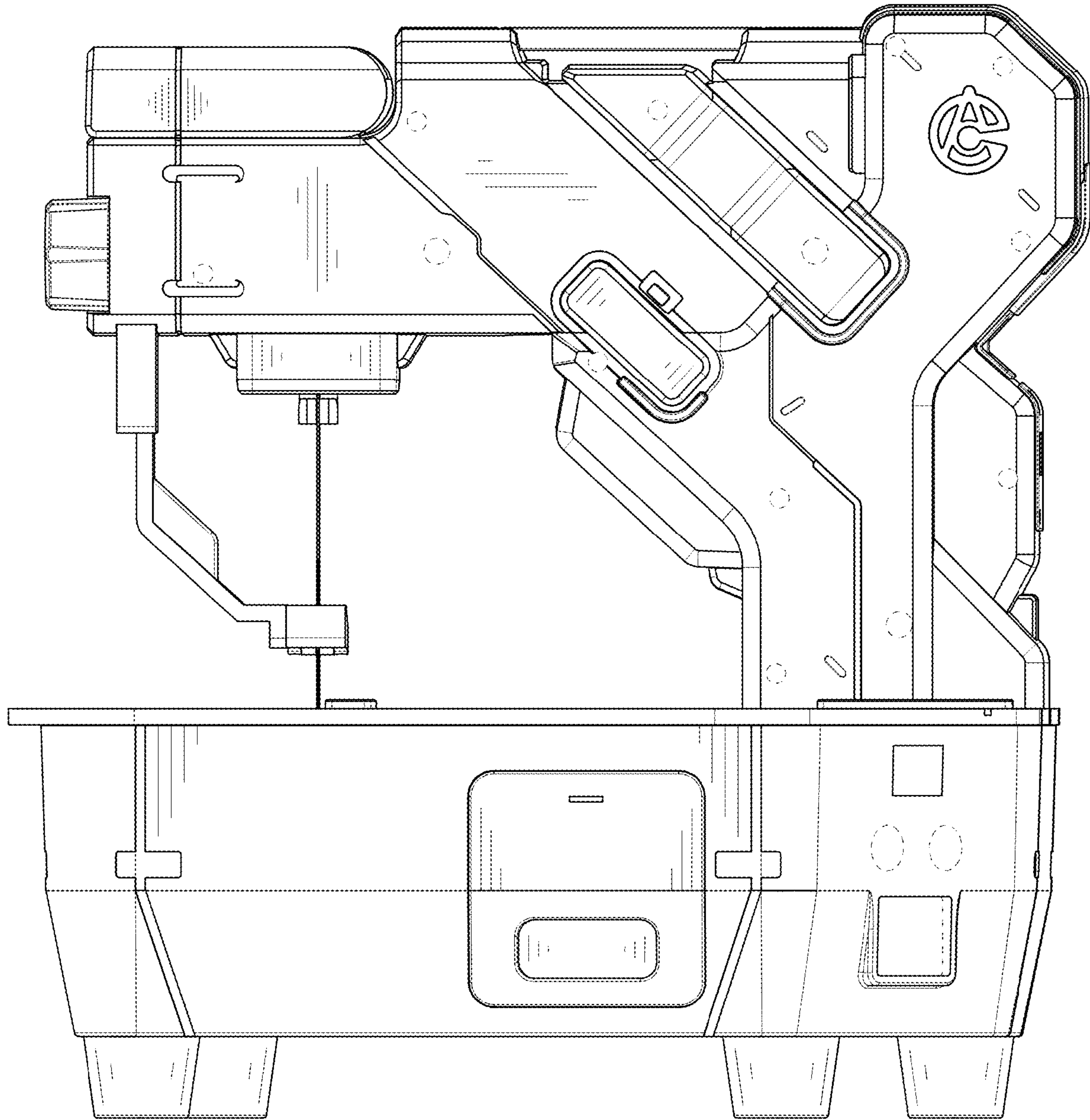


FIG. 6



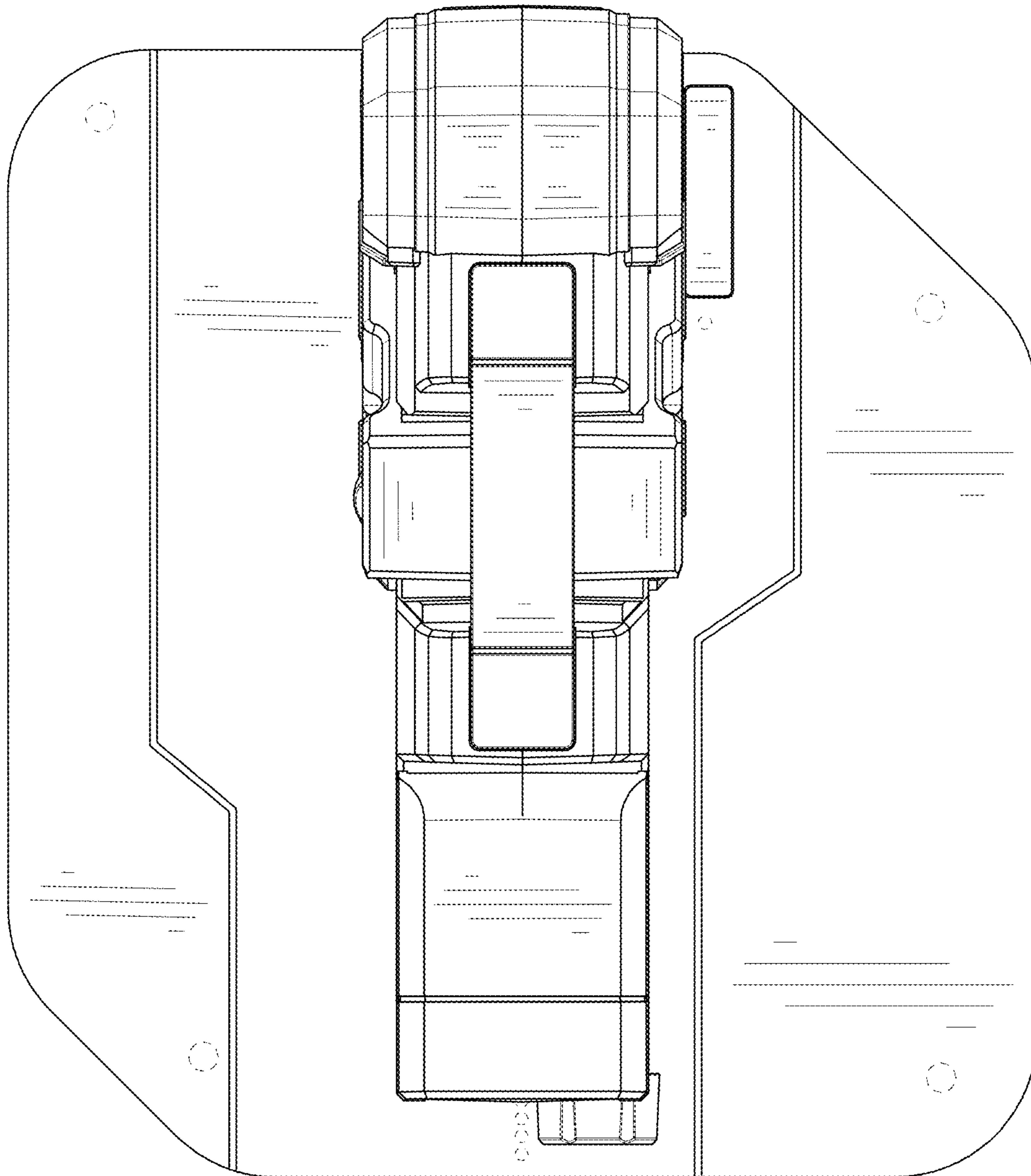


FIG. 7

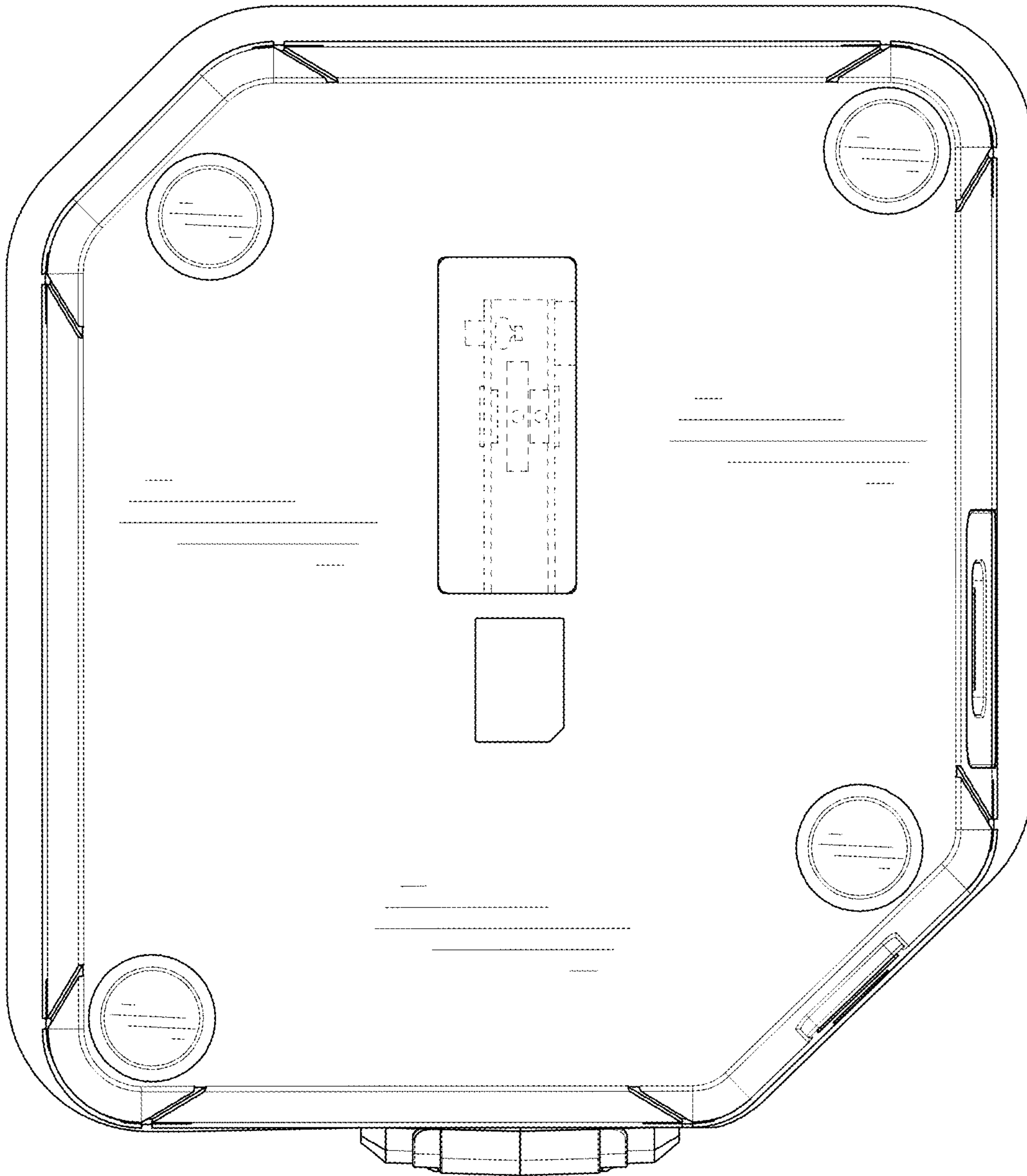


FIG. 8