



US00D976290S

(12) **United States Design Patent** (10) **Patent No.:** **US D976,290 S**  
**Ye** (45) **Date of Patent:** **\*\* Jan. 24, 2023**

(54) **REFRIGERATOR DRAWER**  
(71) Applicant: **NINGBO ZONGSHOU PACKAGING TECHNOLOGY CO., LTD**, Zhejiang (CN)  
(72) Inventor: **Yabo Ye**, Zhejiang (CN)  
(\*\*) Term: **15 Years**  
(21) Appl. No.: **29/854,566**  
(22) Filed: **Sep. 26, 2022**  
(51) **LOC (14) Cl.** ..... **15-07**  
(52) **U.S. Cl.**  
USPC ..... **D15/89**  
(58) **Field of Classification Search**  
USPC ..... D15/79-91  
CPC .. F25C 5/182; F25C 2400/08; F25C 2400/10;  
F25C 2400/14; F25C 2700/04; F25C  
5/005; F25C 5/007; F25C 5/046; F25C  
5/185  
See application file for complete search history.

D763,328 S \* 8/2016 Kim ..... D15/89  
D766,345 S \* 9/2016 Lee ..... D15/89  
D773,540 S \* 12/2016 Heck ..... D15/89  
D776,985 S \* 1/2017 Kim ..... D15/89  
D777,807 S \* 1/2017 Kim ..... D15/89  
D786,321 S \* 5/2017 Lee ..... D15/89  
D847,219 S \* 4/2019 Jeon ..... D15/89  
D862,532 S 10/2019 Lee et al.  
D872,776 S 1/2020 Yu et al.  
D873,872 S 1/2020 Yu et al.  
D895,696 S \* 9/2020 Buter ..... D15/89  
D930,717 S 9/2021 Dai  
D934,925 S 11/2021 Kim et al.

\* cited by examiner

*Primary Examiner* — Khawaja Anwar  
(74) *Attorney, Agent, or Firm* — SciNova IP and Regulatory Consulting LLC; Jingfeng Song

(57) **CLAIM**

The ornamental design for refrigerator drawer, as shown and described.

**DESCRIPTION**

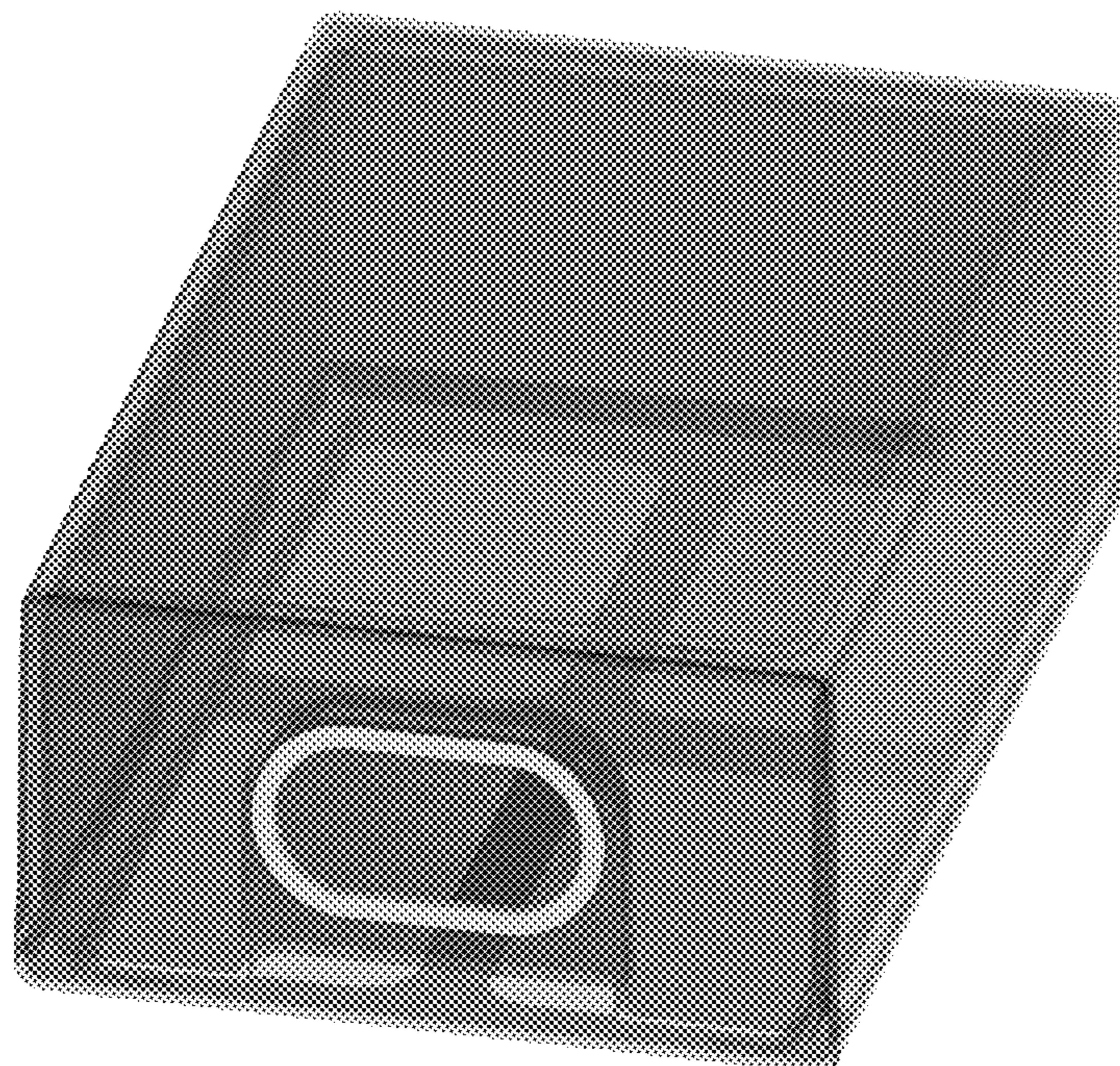
FIG. 1 is a front, right, and top perspective view of a refrigerator drawer, showing my new design;  
FIG. 2 is a front elevational view thereof;  
FIG. 3 is a rear elevational view thereof;  
FIG. 4 is a left elevational view thereof;  
FIG. 5 is a right elevational view thereof;  
FIG. 6 is a top plan view thereof;  
FIG. 7 is a bottom plan view thereof;  
FIG. 8 is a front, right, and top perspective view thereof when being completely pulled out; and,  
FIG. 9 is a front, right, and top perspective view thereof when being pulled halfway out.

**1 Claim, 9 Drawing Sheets**

(56) **References Cited**

**U.S. PATENT DOCUMENTS**

D591,313 S \* 4/2009 Baacke ..... D15/89  
D591,314 S \* 4/2009 Baacke ..... D15/89  
D694,289 S \* 11/2013 Hottmann ..... D15/89  
D707,267 S 6/2014 Choi et al.  
D709,926 S \* 7/2014 Park ..... D15/89  
D710,406 S \* 8/2014 Seo ..... D15/89  
D730,954 S \* 6/2015 Choi ..... D15/89  
D733,770 S \* 7/2015 Park ..... D15/89  
D733,773 S \* 7/2015 Lee ..... D15/89  
D745,068 S 12/2015 Jeon et al.  
D753,197 S \* 4/2016 Lee ..... D15/89  
D754,759 S \* 4/2016 McConnell ..... D15/89



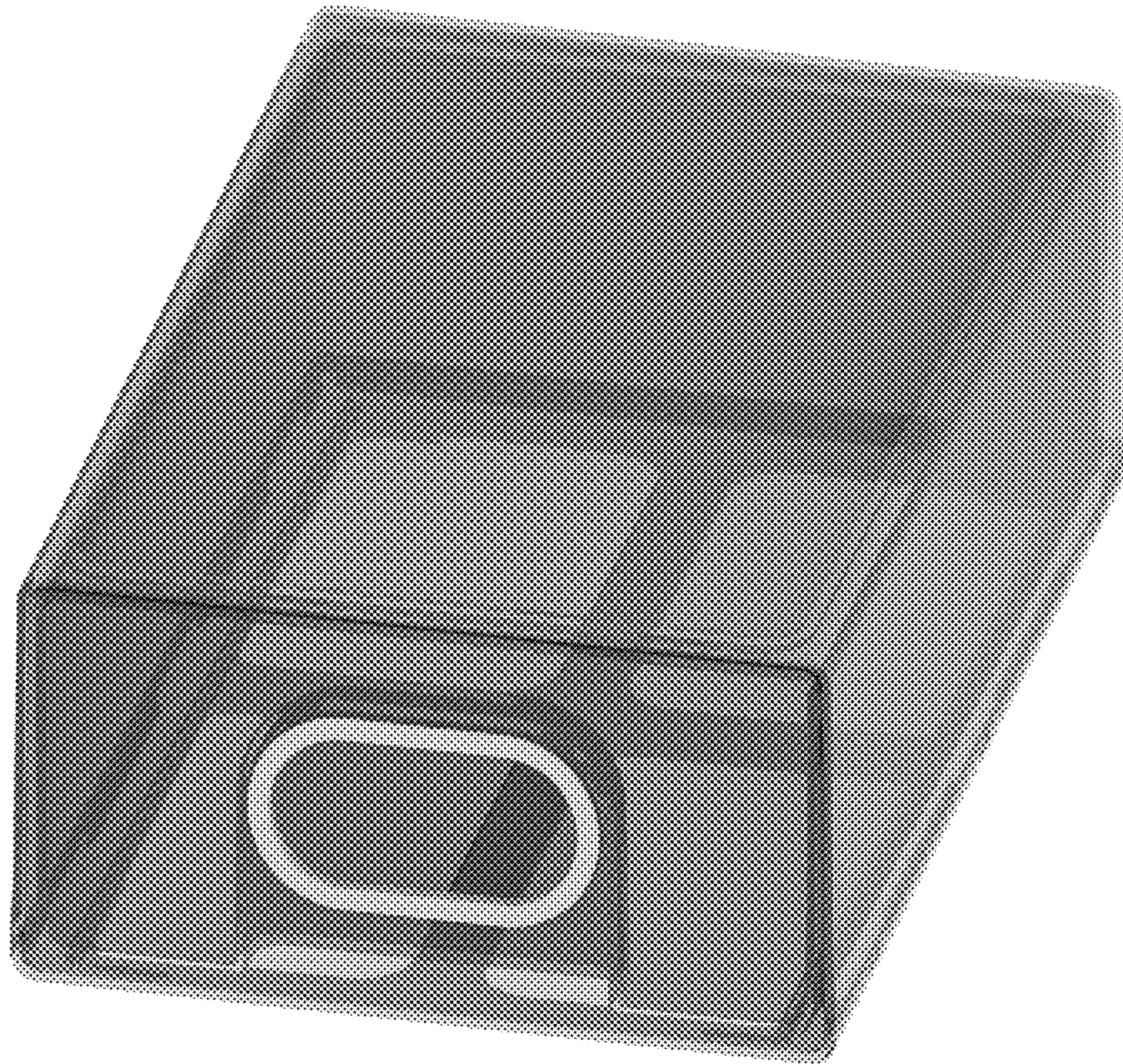


FIG. 1

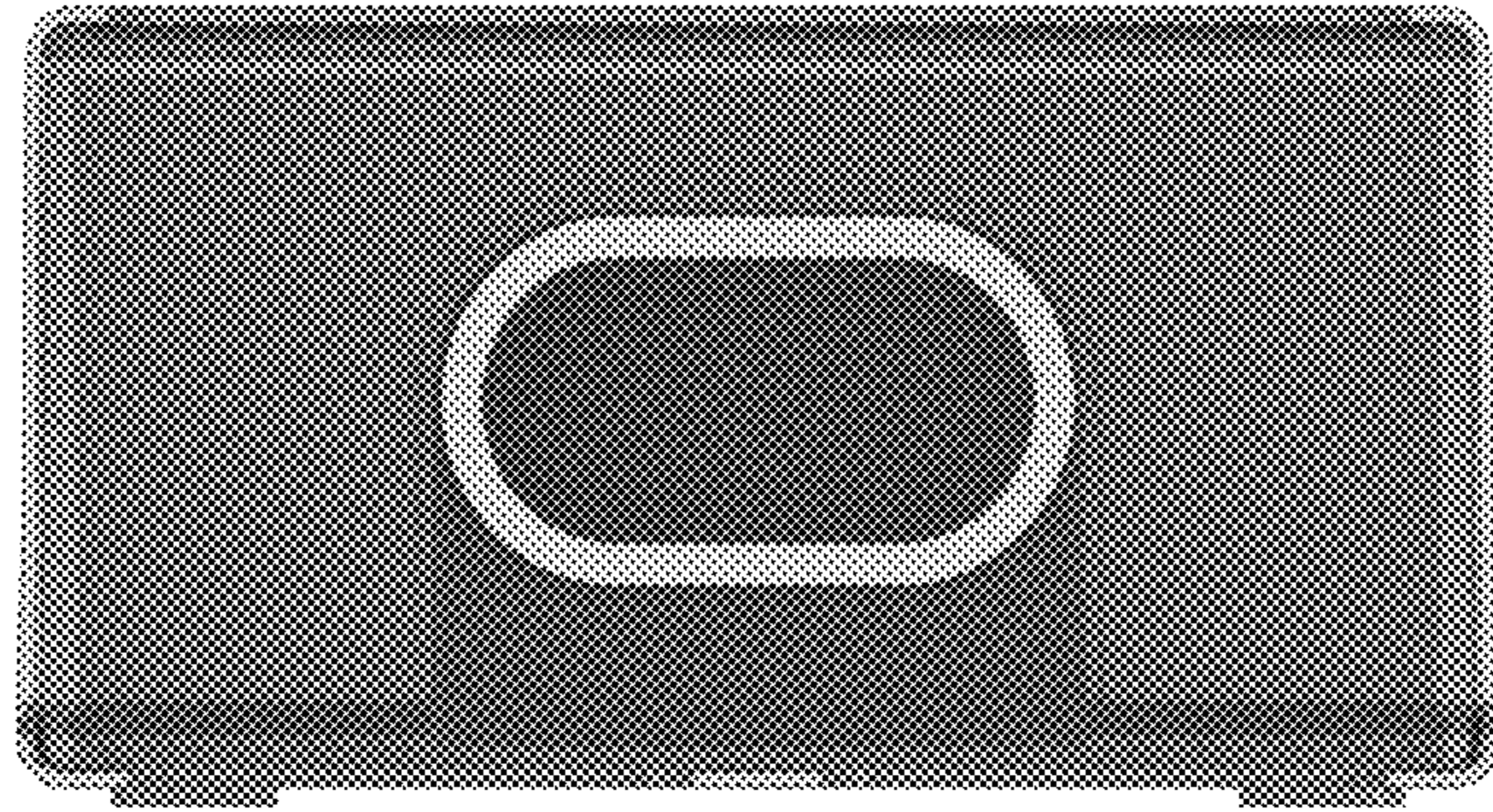


FIG. 2

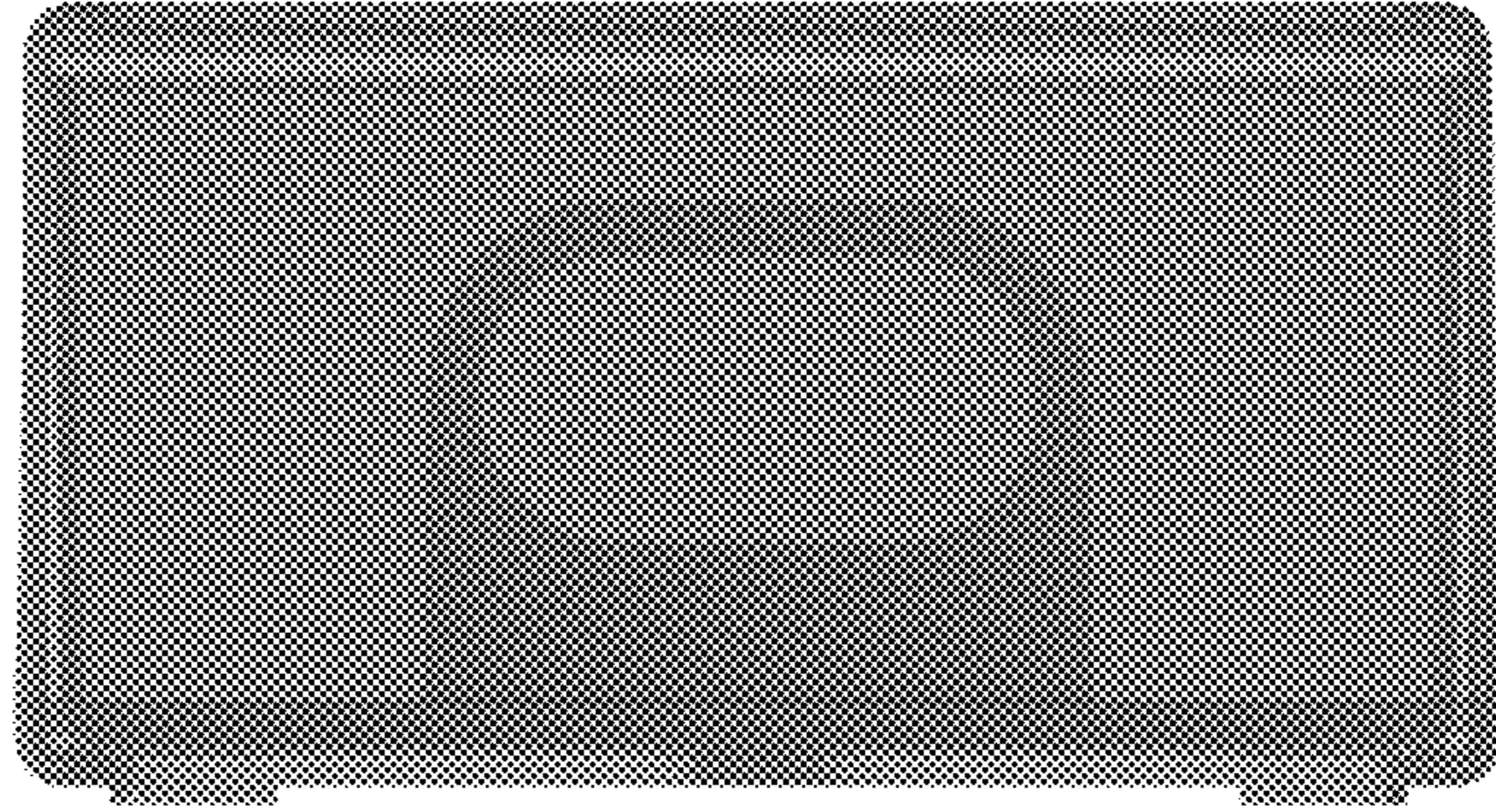


FIG. 3

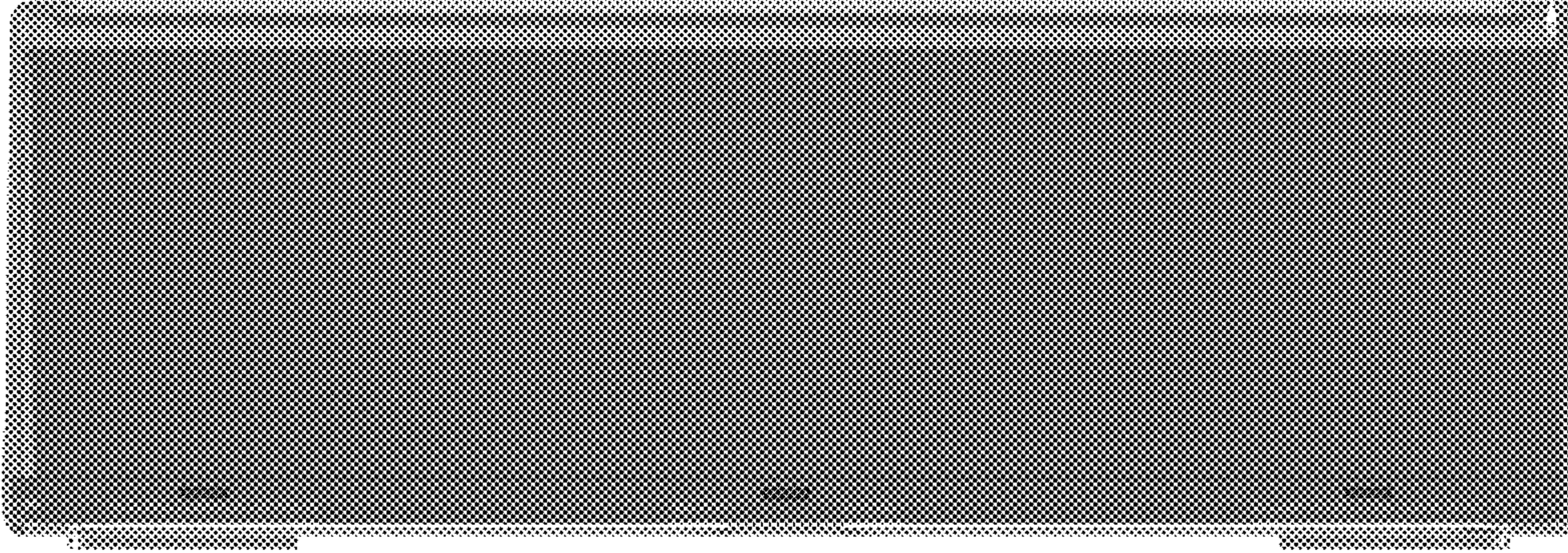


FIG. 4

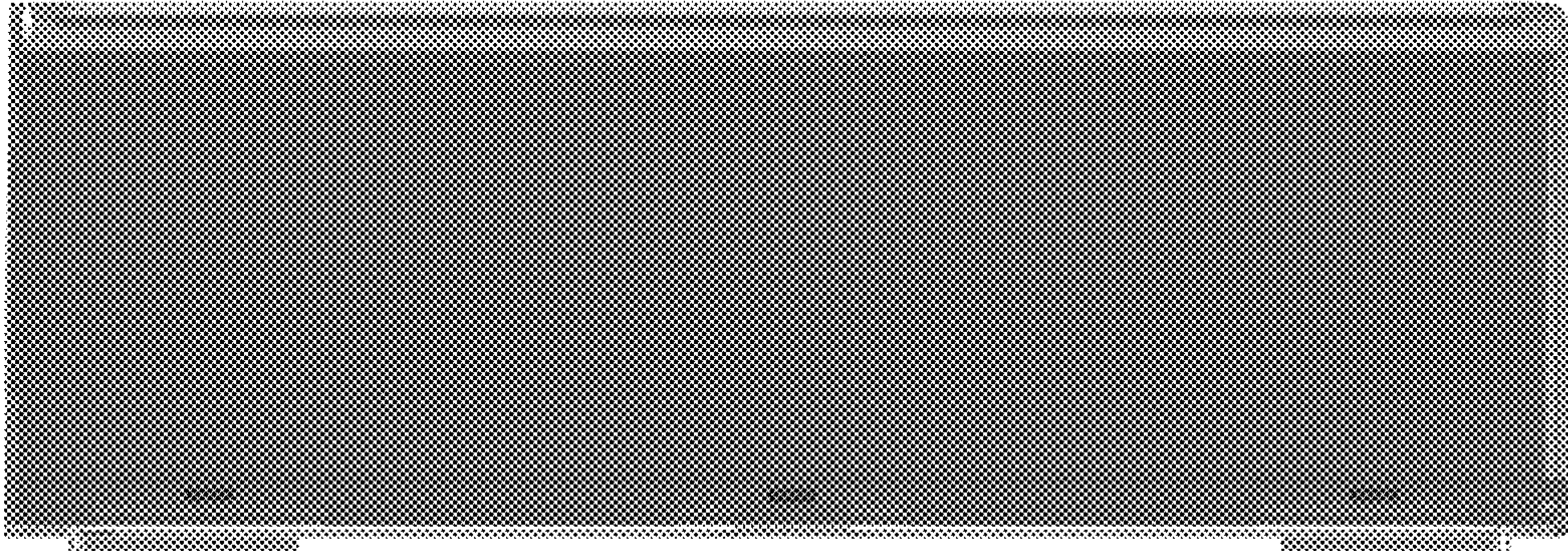


FIG. 5

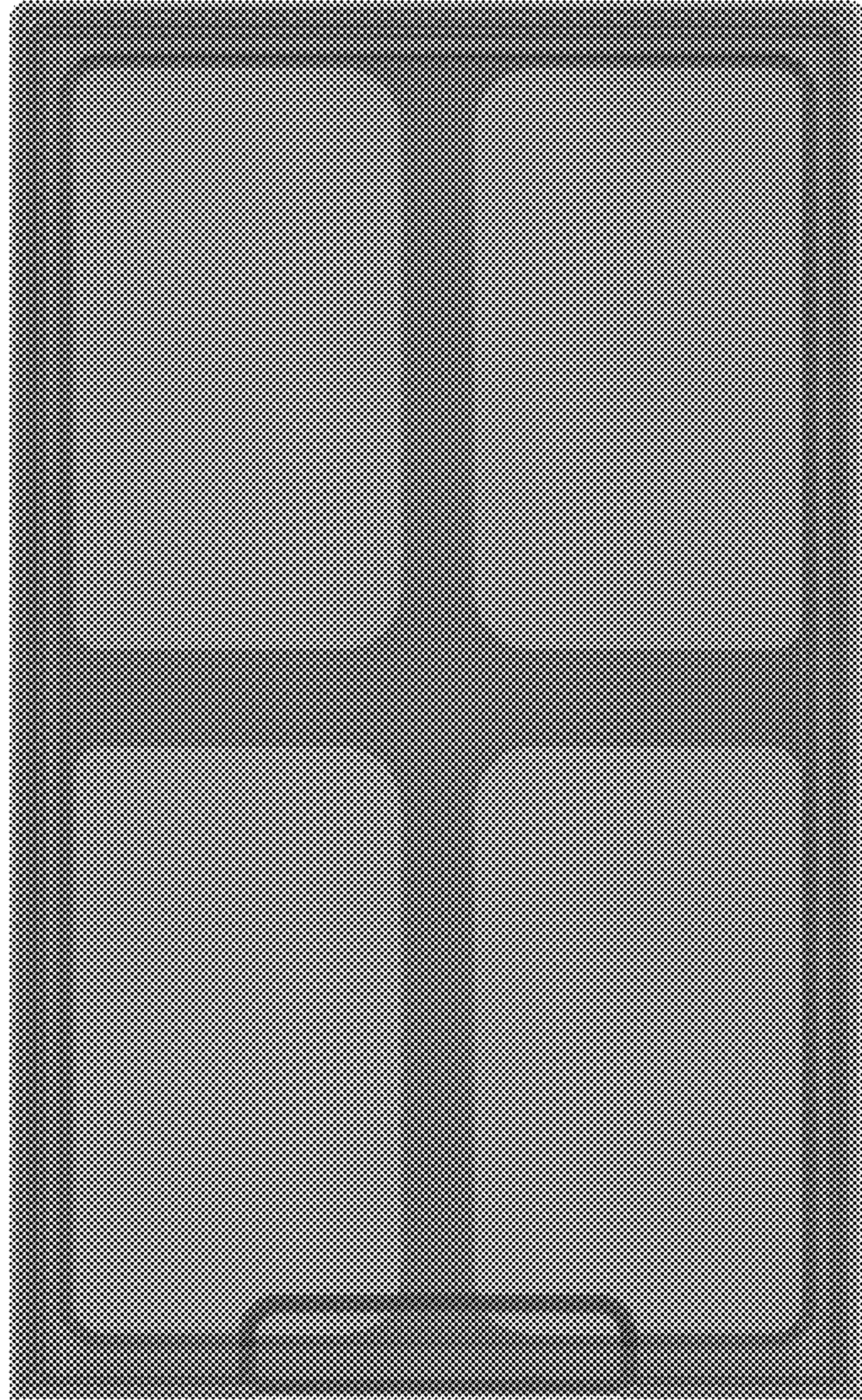


FIG. 6

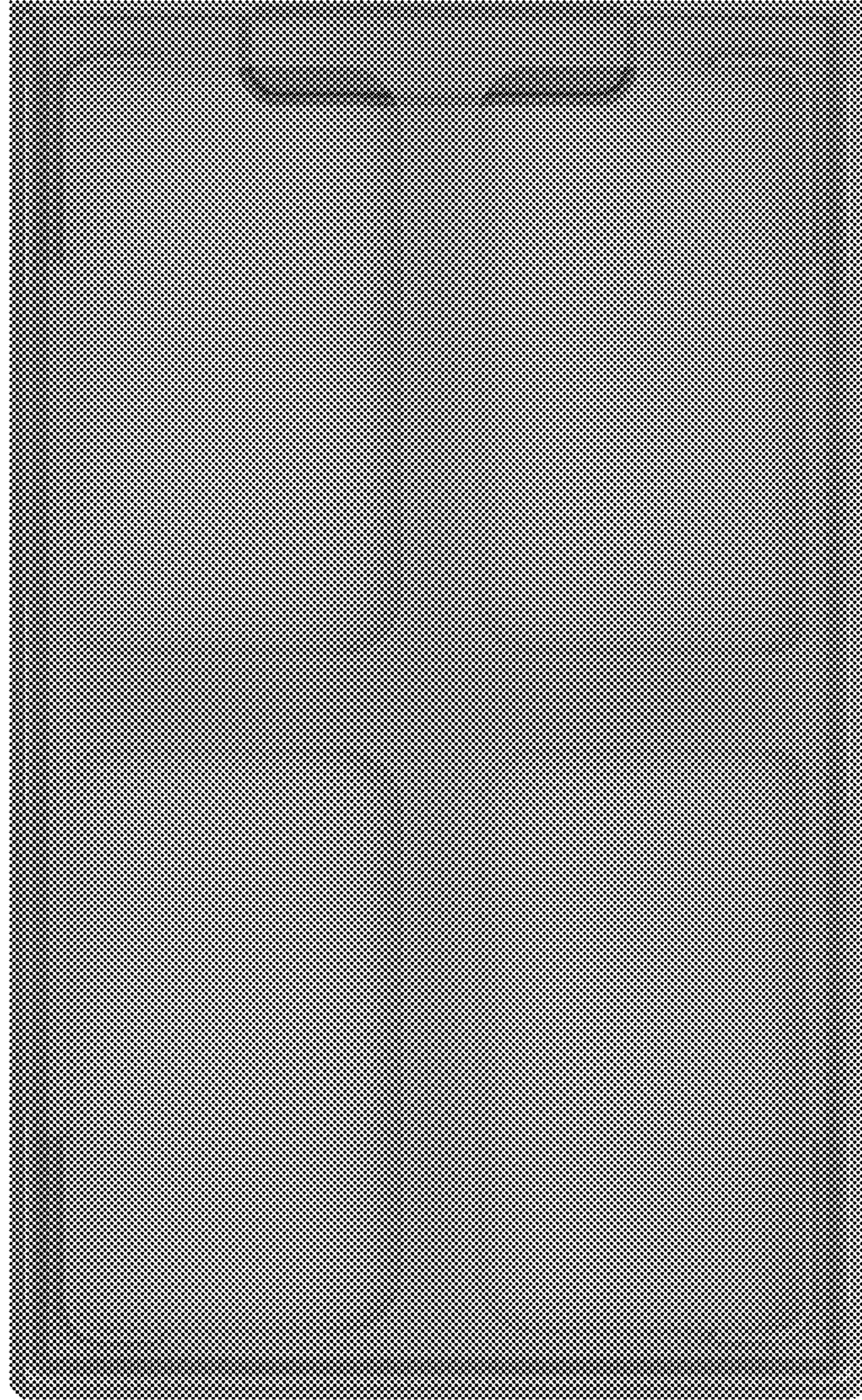


FIG. 7



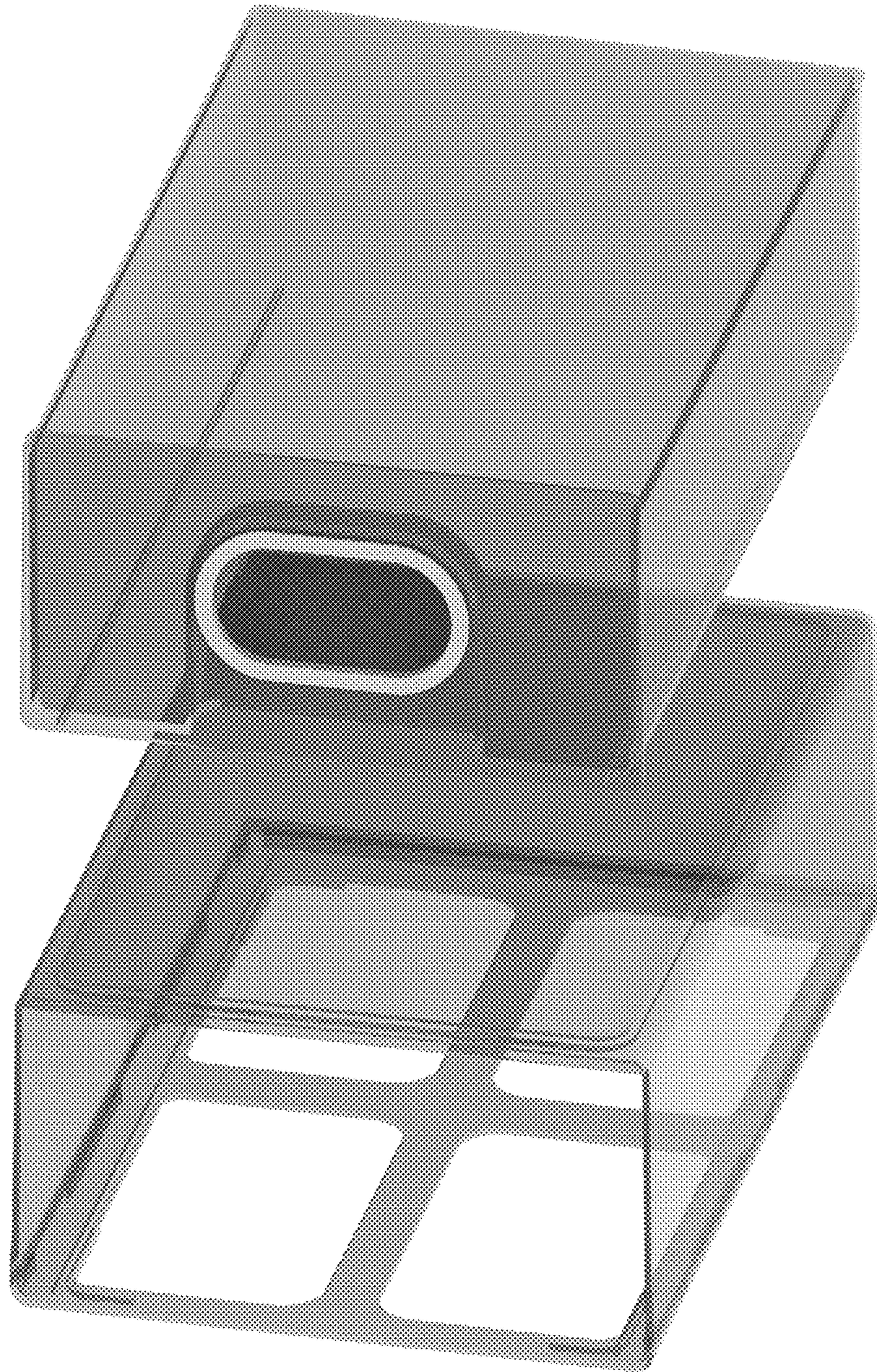


FIG. 8

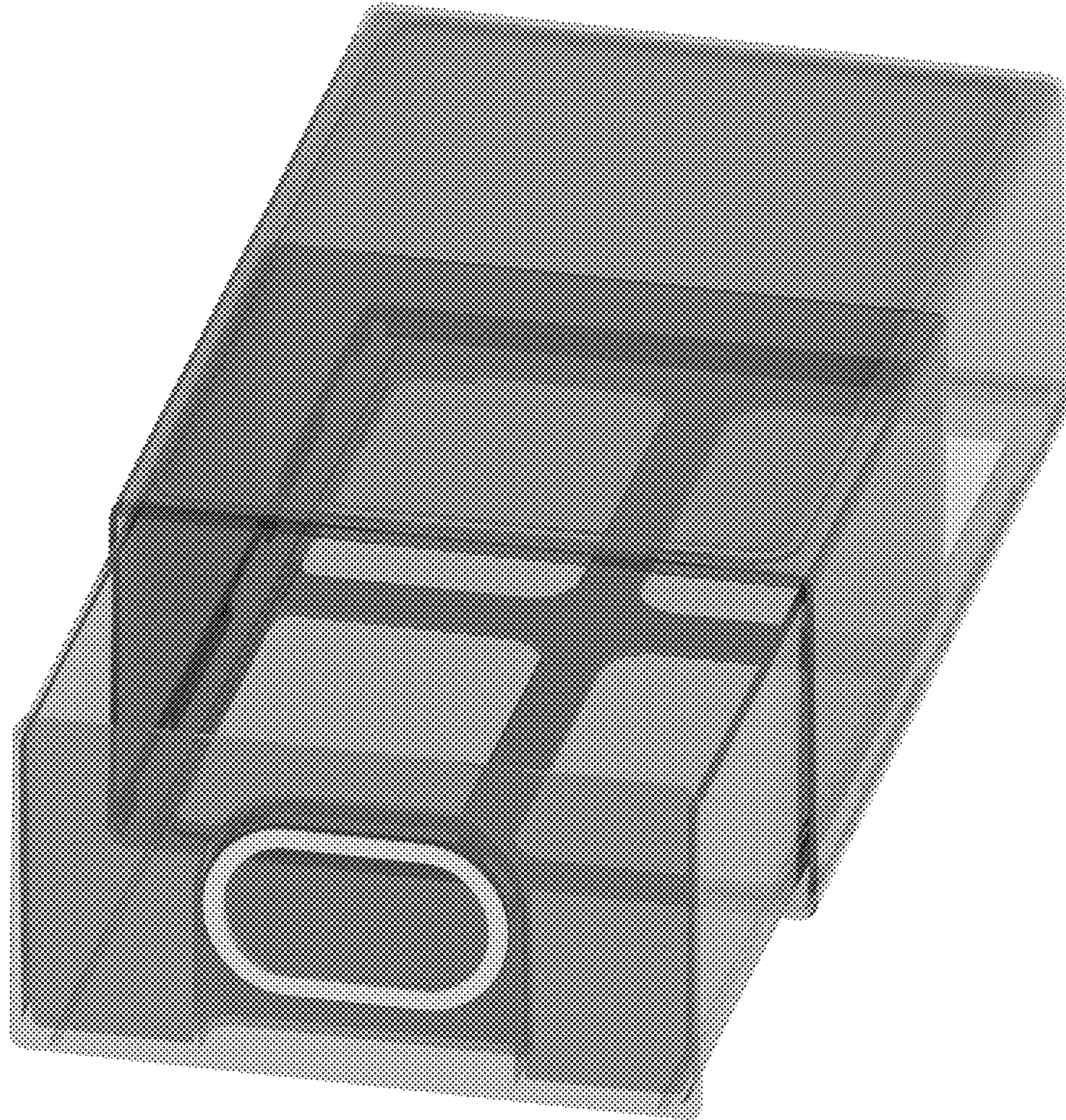


FIG. 9