



US00D976289S

(12) **United States Design Patent** (10) **Patent No.:** **US D976,289 S**
Ni (45) **Date of Patent:** **** Jan. 24, 2023**

(54) **REFRIGERATOR**

(71) Applicant: **Shaoxing Shangyu North Electron Manufacture Co., Ltd., Shaoxing (CN)**

(72) Inventor: **Jianwei Ni, Shaoxing (CN)**

(73) Assignee: **Shaoxing Shangyu North Electron Manufacture Co., Ltd., Shaoxing (CN)**

(**) Term: **15 Years**

(21) Appl. No.: **29/780,963**

(22) Filed: **Apr. 27, 2021**

(51) **LOC (14) Cl.** **15-07**

(52) **U.S. Cl.**
USPC **D15/79; D15/81; D15/83**

(58) **Field of Classification Search**
USPC D15/79, 81, 83
CPC F25D 11/00; F25D 11/003; F25D 2400/00;
F25D 2400/10; F25D 2400/12; F25D
2400/18; F25D 2400/20; F25D 23/00;
F25D 23/02; F25D 23/10; F25D 3/08
See application file for complete search history.

(56) **References Cited**

U.S. PATENT DOCUMENTS

D880,540 S * 4/2020 Xie D15/83
D907,074 S * 1/2021 Yang D15/83
D946,635 S * 3/2022 Deng D15/79
D952,701 S * 5/2022 Shi D15/83
D958,201 S * 7/2022 Zhao D15/79
D958,845 S * 7/2022 Zhao D15/79
D958,846 S * 7/2022 Zhao D15/79
D958,847 S * 7/2022 Chen D15/79

D959,508 S * 8/2022 Yang D15/79
D961,629 S * 8/2022 Zhao D15/79
D961,635 S * 8/2022 Shi D15/83
D964,436 S * 9/2022 Yang D15/83
2018/0100682 A1* 4/2018 Nilsen F25D 16/00
2021/0296711 A1* 9/2021 Zhao H02J 7/0045
2021/0347287 A1* 11/2021 Fan A45C 5/14
2022/0307753 A1* 9/2022 He B62B 5/00

FOREIGN PATENT DOCUMENTS

CN 217031778 U * 7/2022

* cited by examiner

Primary Examiner — Calvin E Vansant

Assistant Examiner — Eidiol Ghigliotty Torres

(74) *Attorney, Agent, or Firm* — Hawaii Patent Services, LLC; Nathaniel K. Fedde

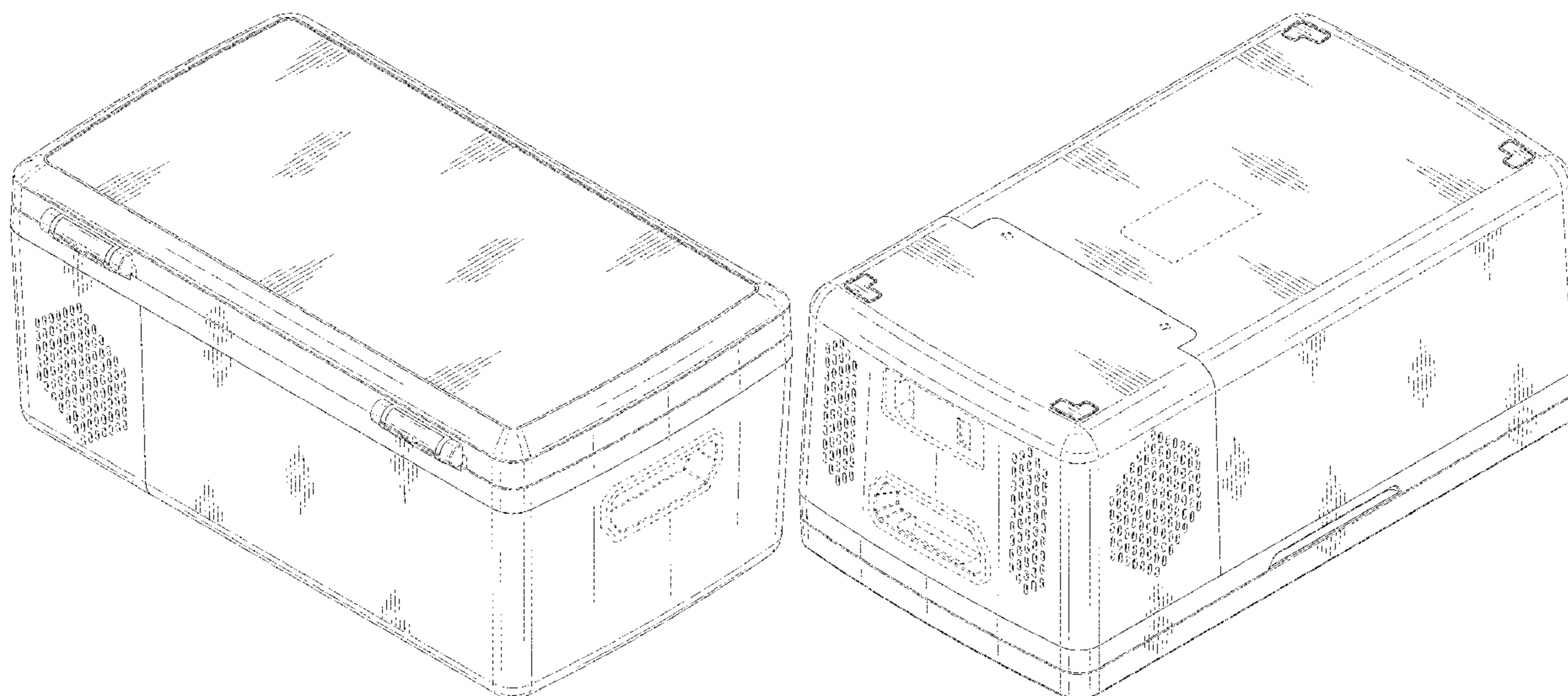
(57) **CLAIM**

The ornamental design for a refrigerator, as shown and described.

DESCRIPTION

FIG. 1 is a perspective view of a refrigerator, showing my new design;
FIG. 2 is a front elevation view thereof;
FIG. 3 is a rear elevation view thereof;
FIG. 4 is a left side elevation view thereof;
FIG. 5 is a right side elevation view thereof;
FIG. 6 is a top plan view thereof;
FIG. 7 is a bottom plan view thereof; and,
FIG. 8 is another perspective view showing the refrigerator. The broken lines shown in the figures illustrate environmental or other features that form no part of the claimed design.

1 Claim, 8 Drawing Sheets



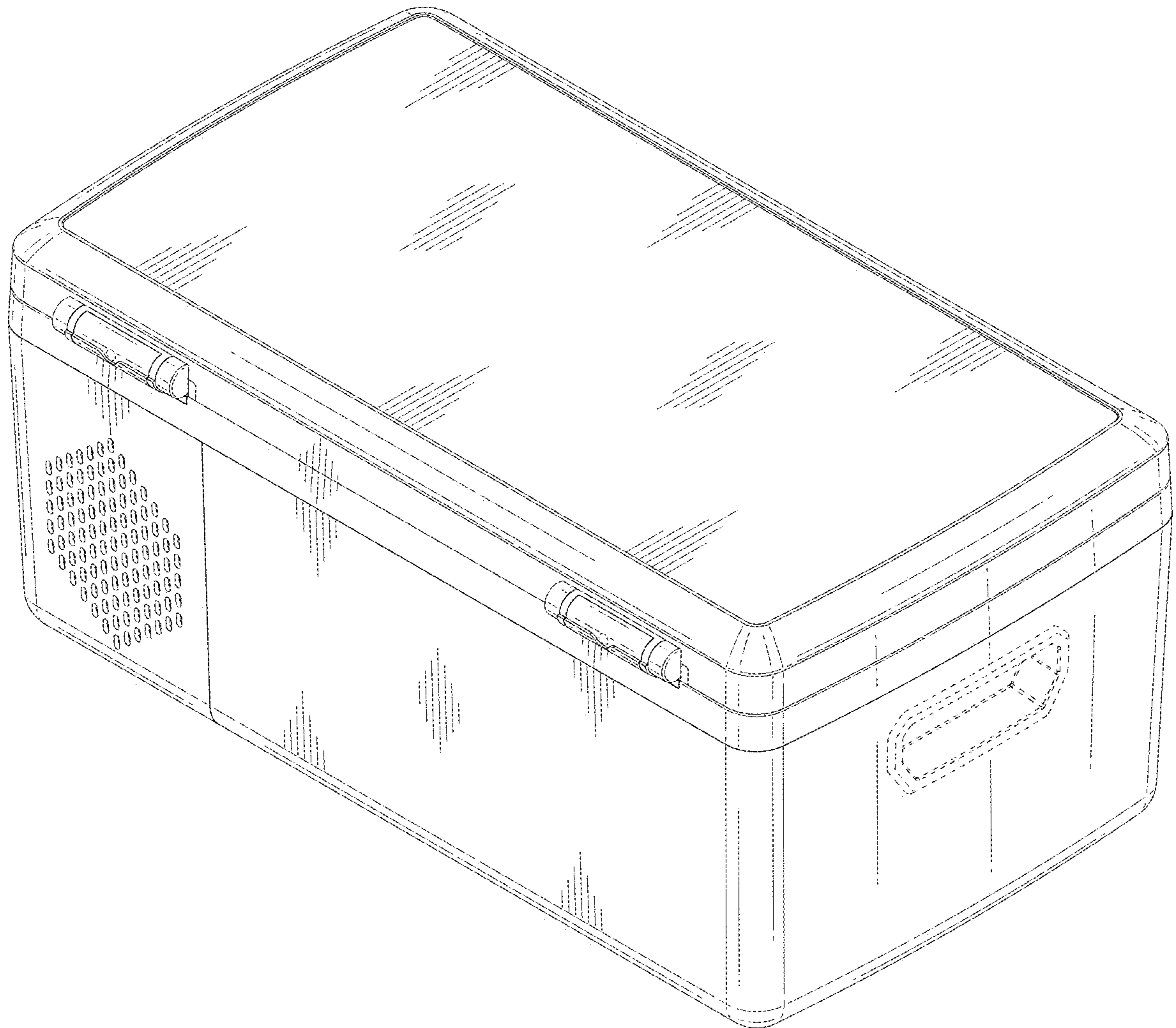


FIG.1

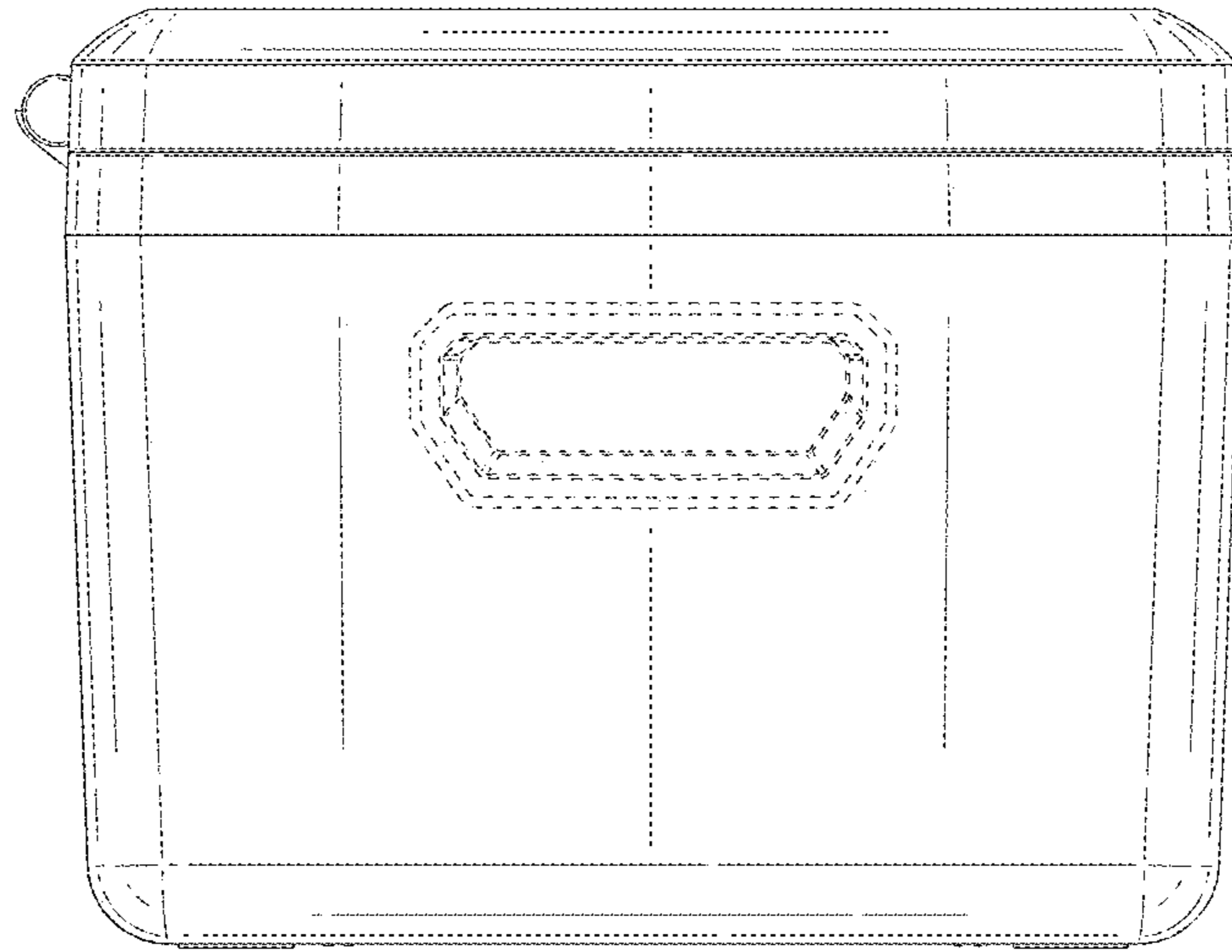


FIG.2

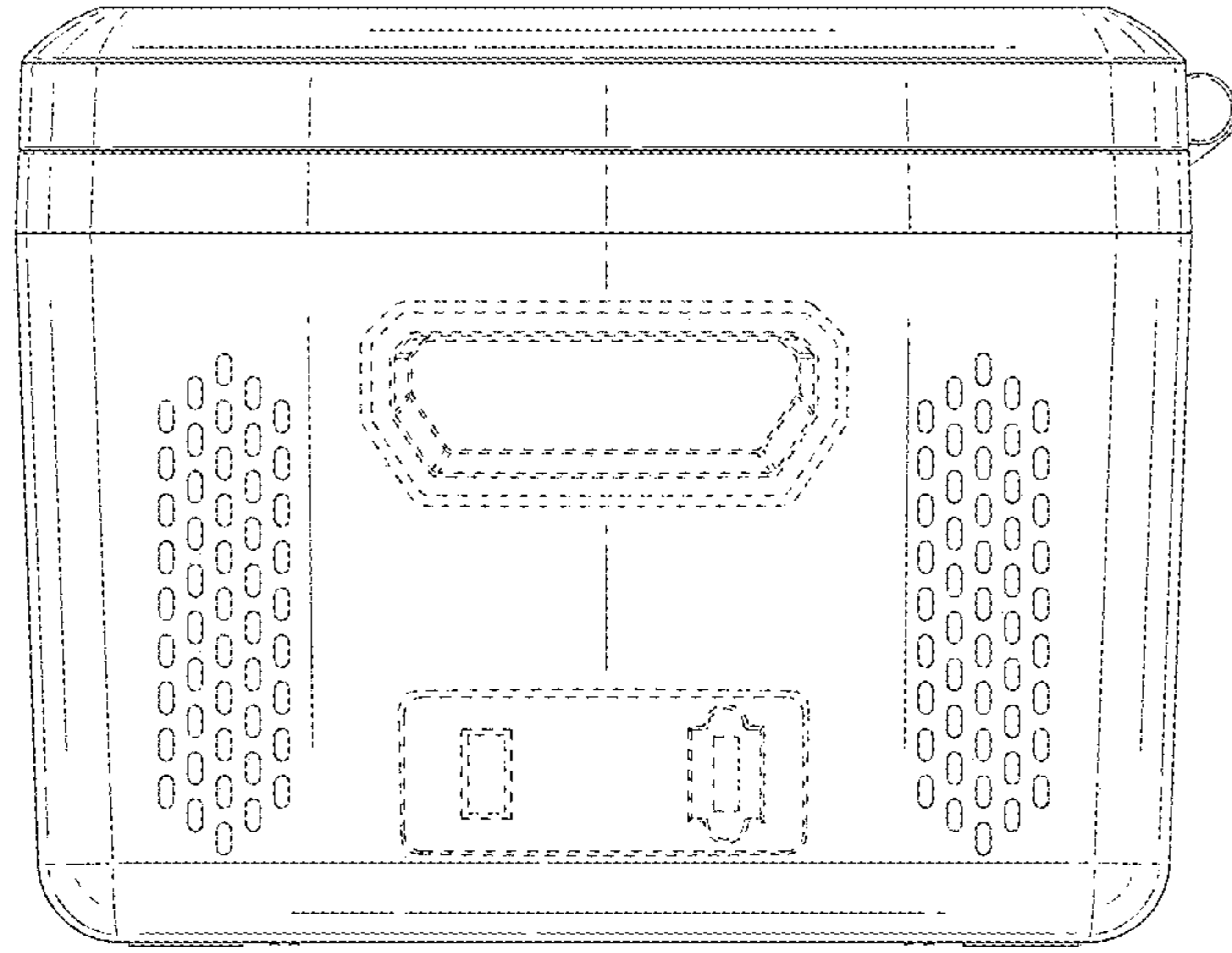


FIG.3

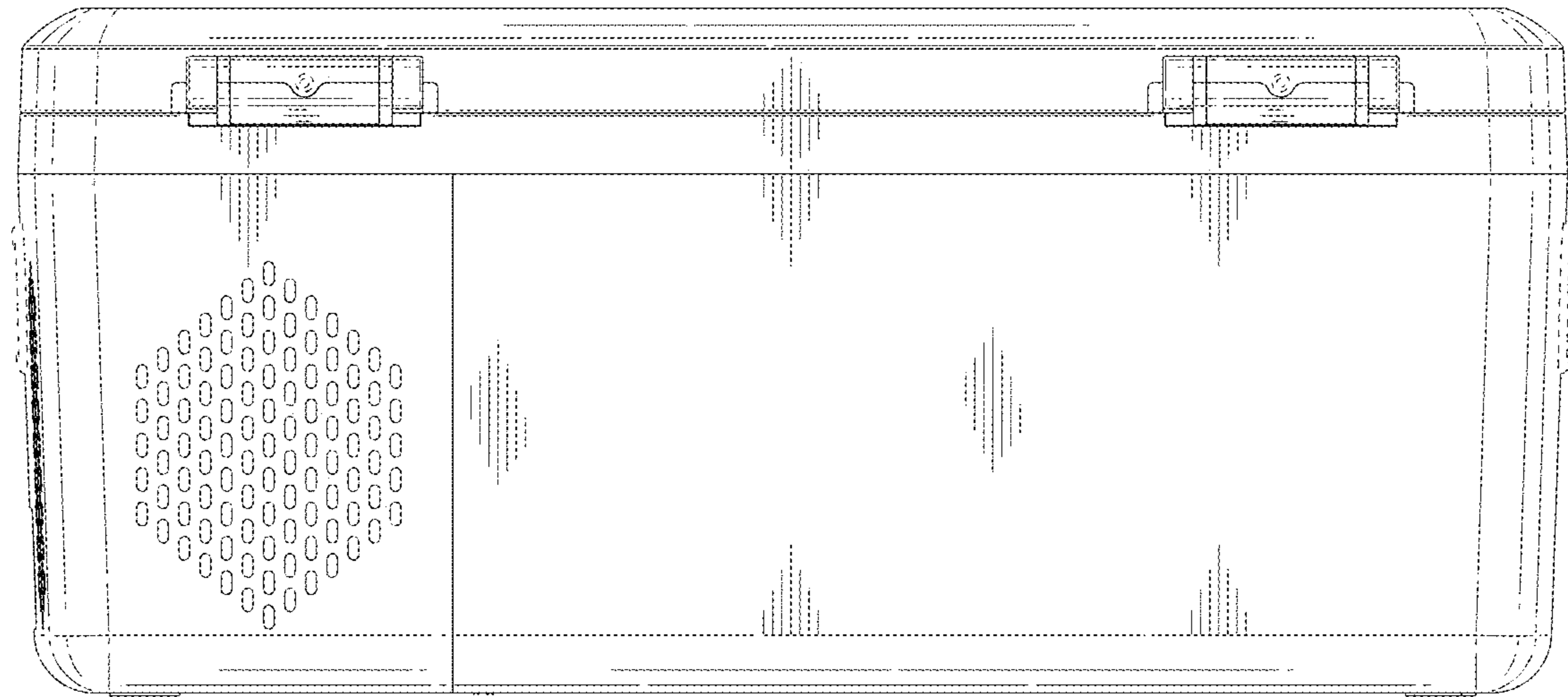


FIG.4

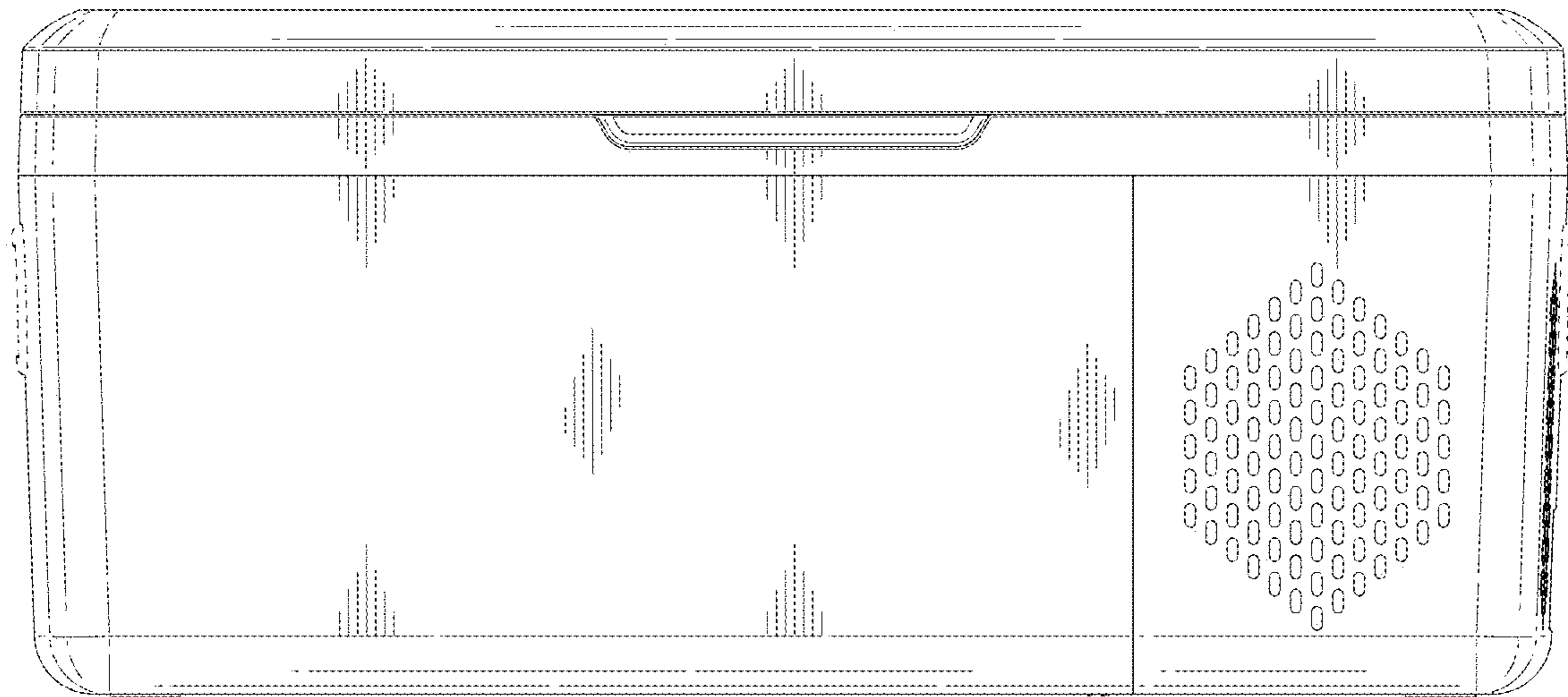


FIG.5

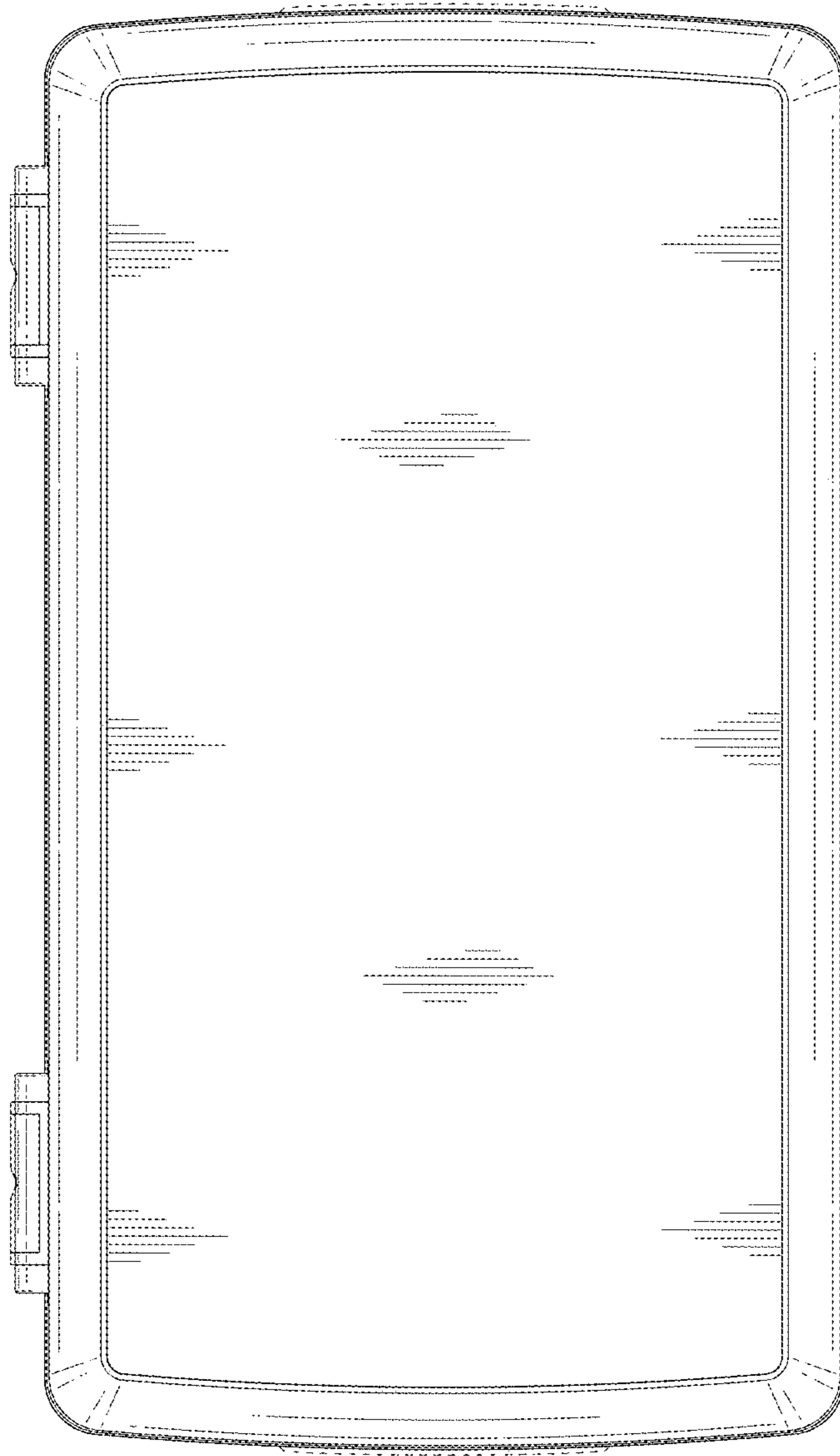


FIG.6

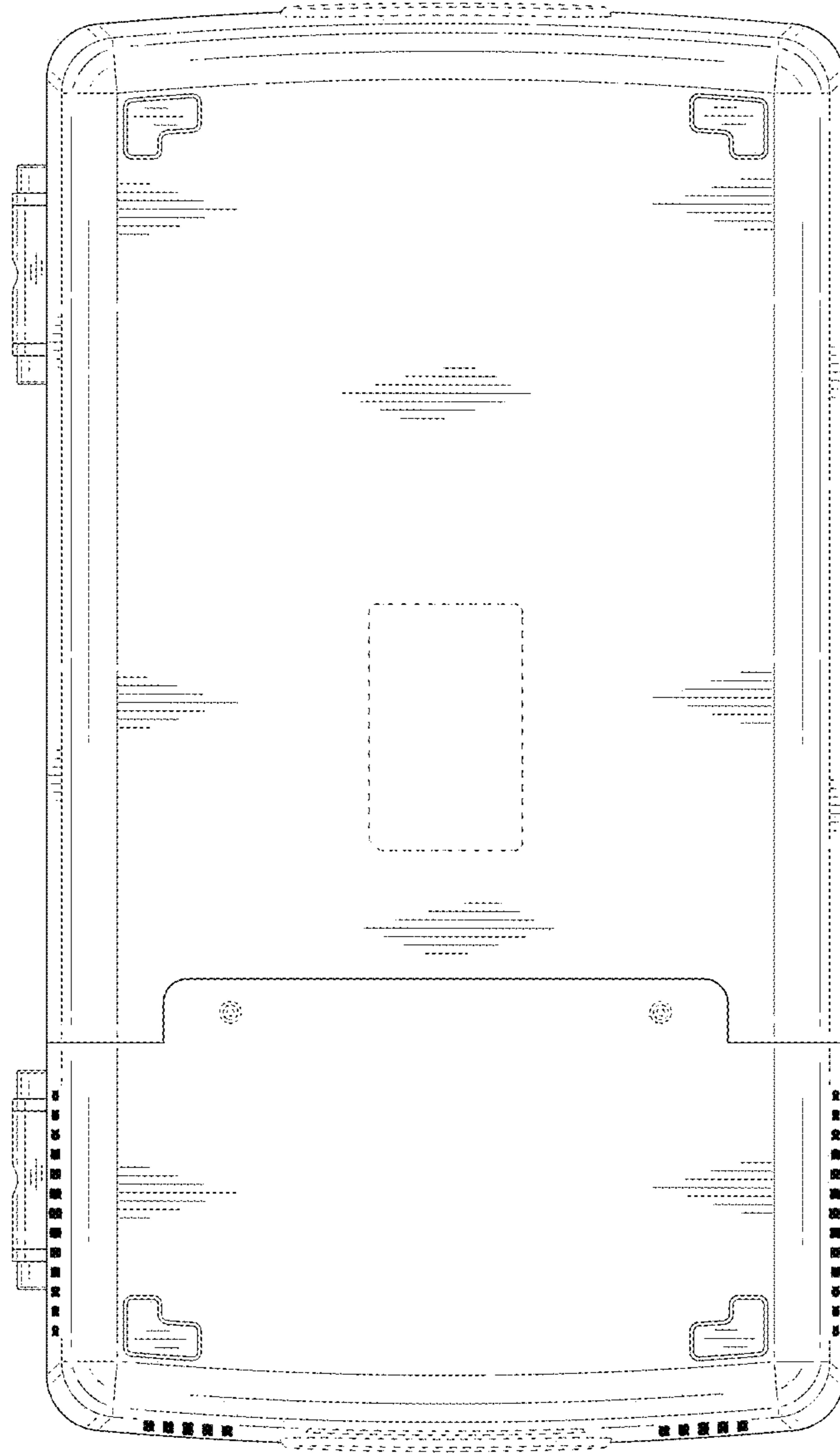


FIG.7

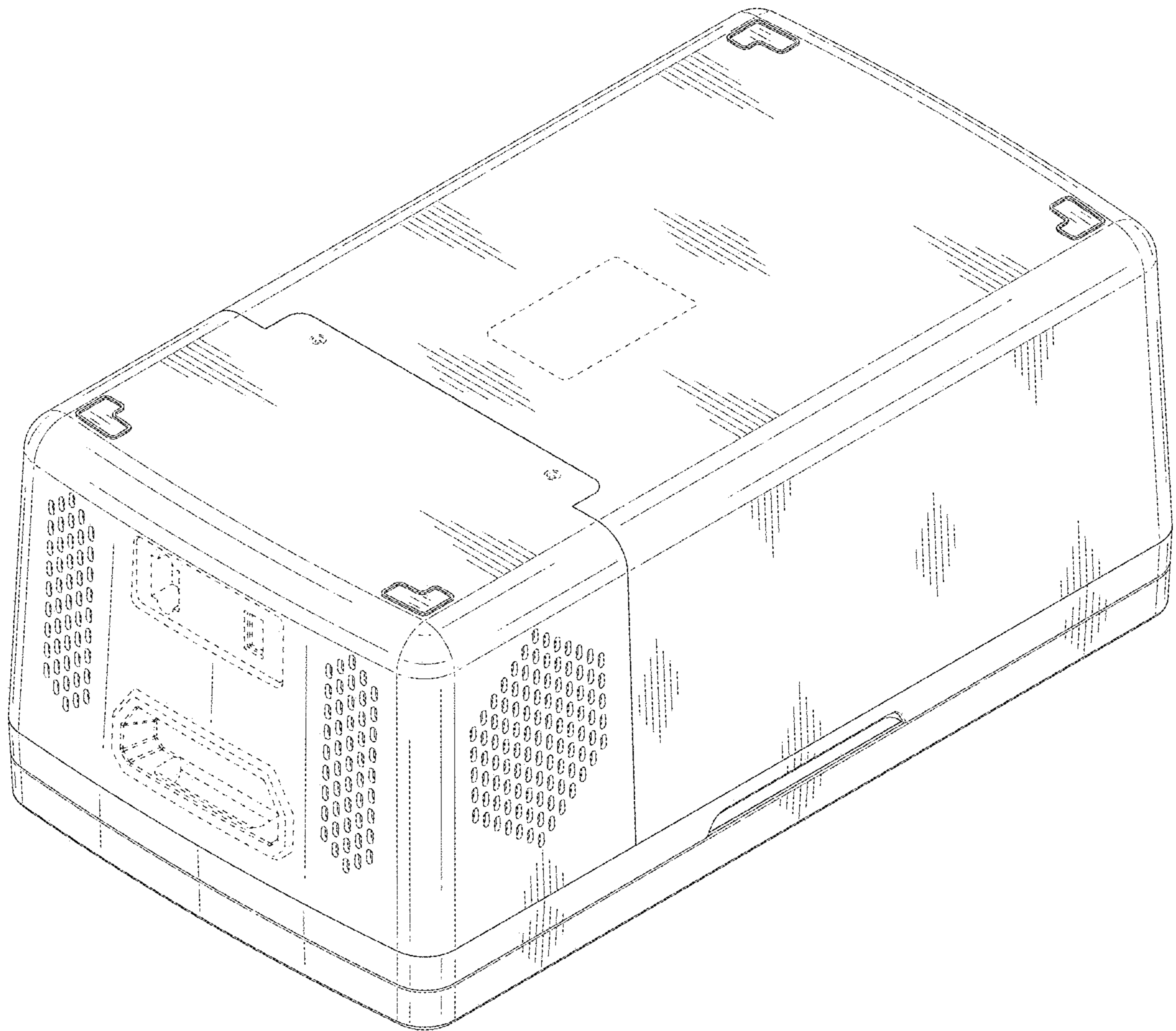


FIG.8