



US00D976288S

(12) **United States Design Patent**
Ni

(10) **Patent No.:** **US D976,288 S**
(45) **Date of Patent:** **** Jan. 24, 2023**

(54) **REFRIGERATOR**

(71) Applicant: **Shaoxing Shangyu North Electron
Manufacture Co., Ltd., Shaoxing (CN)**

(72) Inventor: **Jianwei Ni, Shaoxing (CN)**

(73) Assignee: **Shaoxing Shangyu North Electron
Manufacture Co., Ltd., Shaoxing (CN)**

(**) Term: **15 Years**

(21) Appl. No.: **29/780,962**

(22) Filed: **Apr. 27, 2021**

(51) **LOC (14) Cl.** **15-07**

(52) **U.S. Cl.**
USPC **D15/79; D15/81; D15/83**

(58) **Field of Classification Search**
USPC **D15/79, 81, 83**
CPC **F25D 11/00; F25D 11/02; F25D 11/003;**
F25D 2400/10; F25D 2400/12; F25D
2400/16; F25D 2400/18; F25D 23/08;
F25D 2317/061; F25D 2323/023; F25D
25/025; F25D 31/00; F25D 31/002; F25D
2331/804; F25D 2331/809; F25D 3/00;
F25D 3/06; F25D 3/08

See application file for complete search history.

(56) **References Cited**

U.S. PATENT DOCUMENTS

D465,133 S	*	11/2002	Ben-Moshe	D7/605
D886,163 S	*	6/2020	Yao	D15/81
D896,856 S	*	9/2020	Zhou	D15/81
D919,678 S	*	5/2021	Yang	D15/81
D924,946 S	*	7/2021	Xu	D15/81

D927,562 S	*	8/2021	Kong	D15/81
D937,910 S	*	12/2021	Huang	D15/81
D940,209 S	*	1/2022	Kong	D15/81
D946,636 S	*	3/2022	Xu	D15/81
D947,905 S	*	4/2022	Xu	D15/81
D952,006 S	*	5/2022	Li	D15/81
D952,699 S	*	5/2022	Li	D15/79
D965,647 S	*	10/2022	Yao	D15/81

* cited by examiner

Primary Examiner — Calvin E Vansant

Assistant Examiner — Eidiol Ghigliotty Torres

(74) *Attorney, Agent, or Firm* — Hawaii Patent Services,
LLC; Nathaniel K. Fedde

(57) **CLAIM**

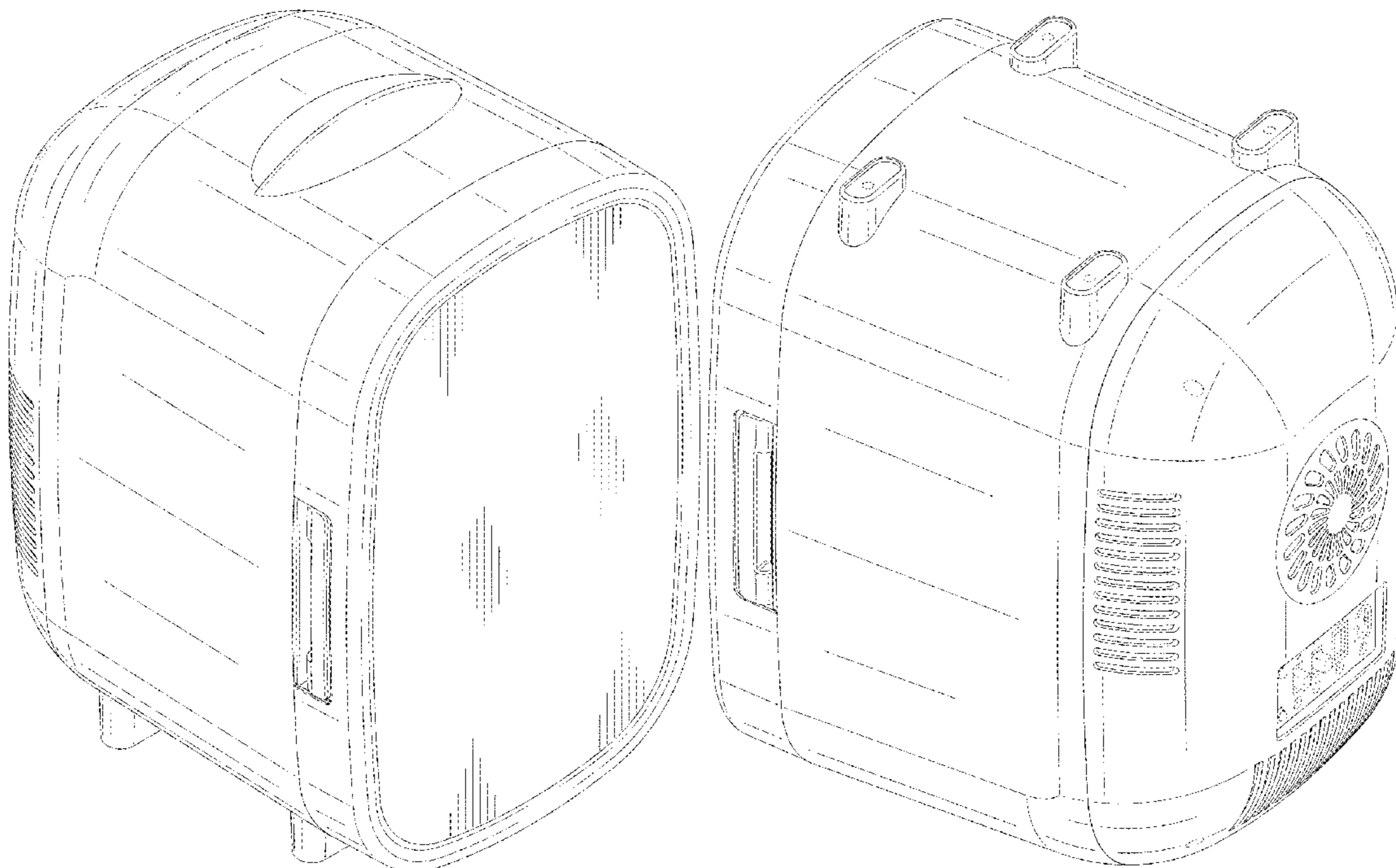
The ornamental design for a refrigerator, as shown and described.

DESCRIPTION

FIG. 1 is a perspective view of a refrigerator, showing my new design;
FIG. 2 is a front elevation view thereof;
FIG. 3 is a rear elevation view thereof;
FIG. 4 is a left side elevation view thereof;
FIG. 5 is a right side elevation view thereof;
FIG. 6 is a top plan view thereof;
FIG. 7 is a bottom plan view thereof;
FIG. 8 is another perspective view thereof; and,
FIG. 9 is a third perspective view showing the refrigerator with upside down.

The broken lines shown in the figures illustrate environmental or other features that form no part of the claimed design.

1 Claim, 9 Drawing Sheets



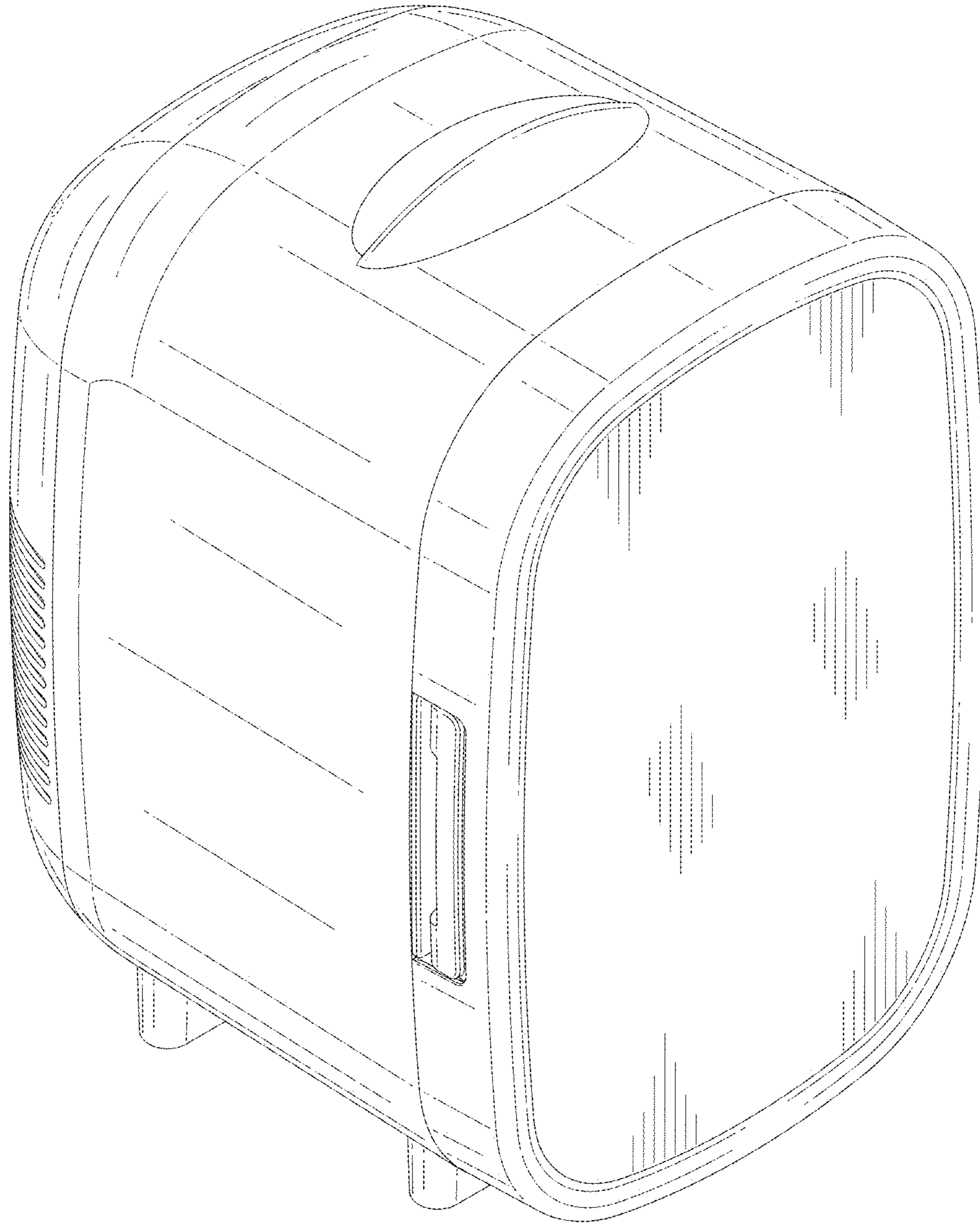


FIG.1

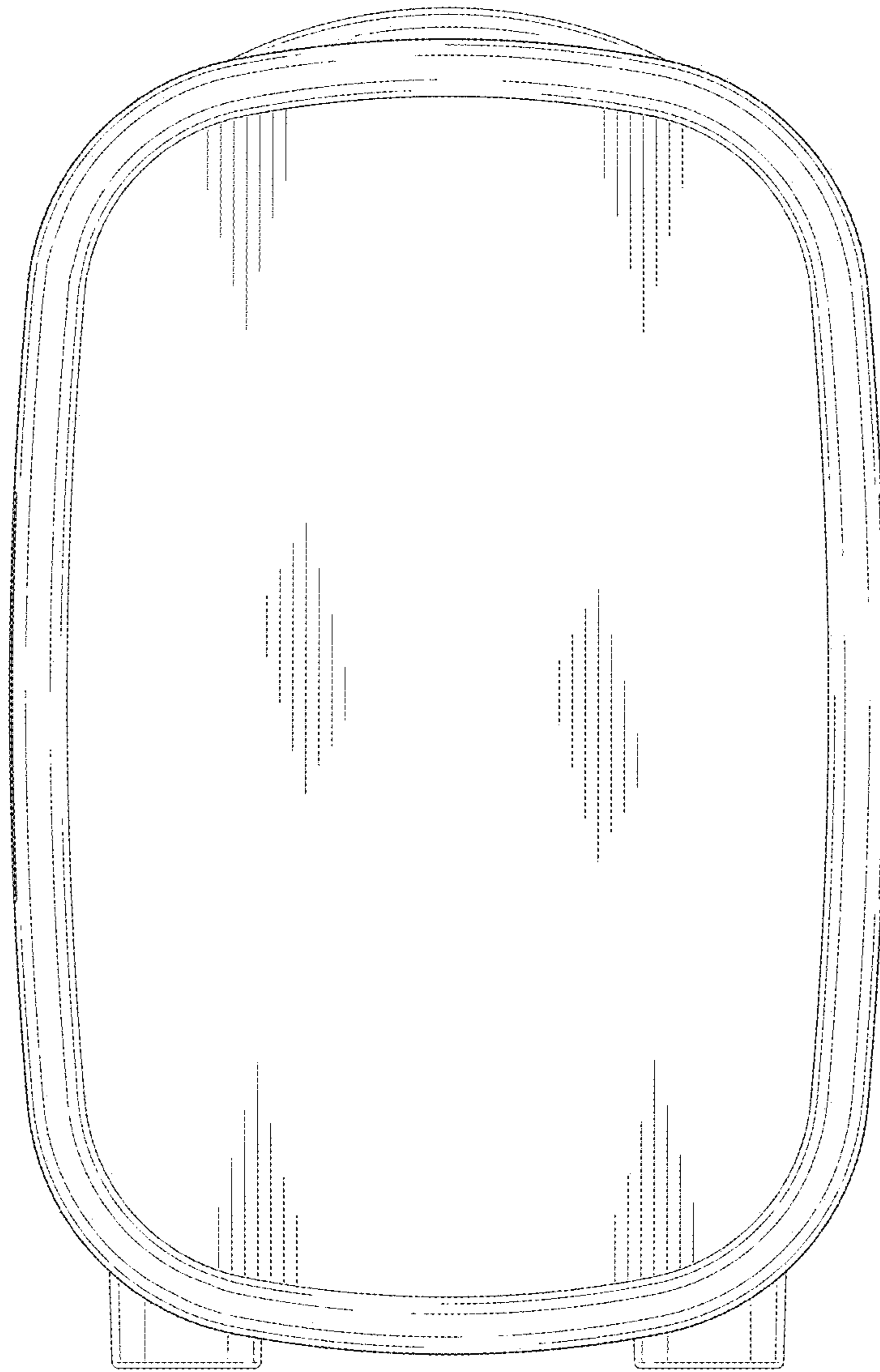


FIG.2

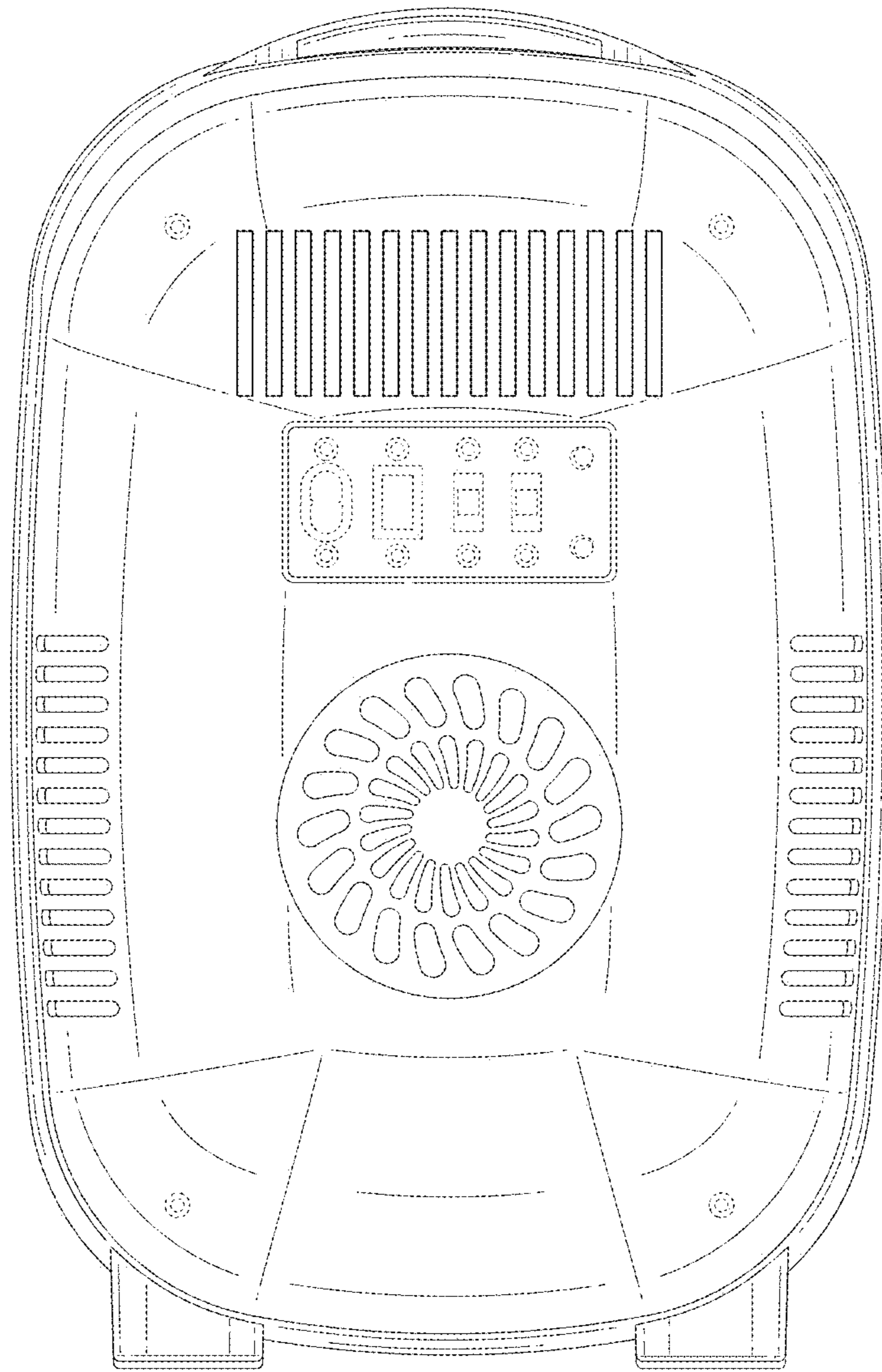


FIG.3

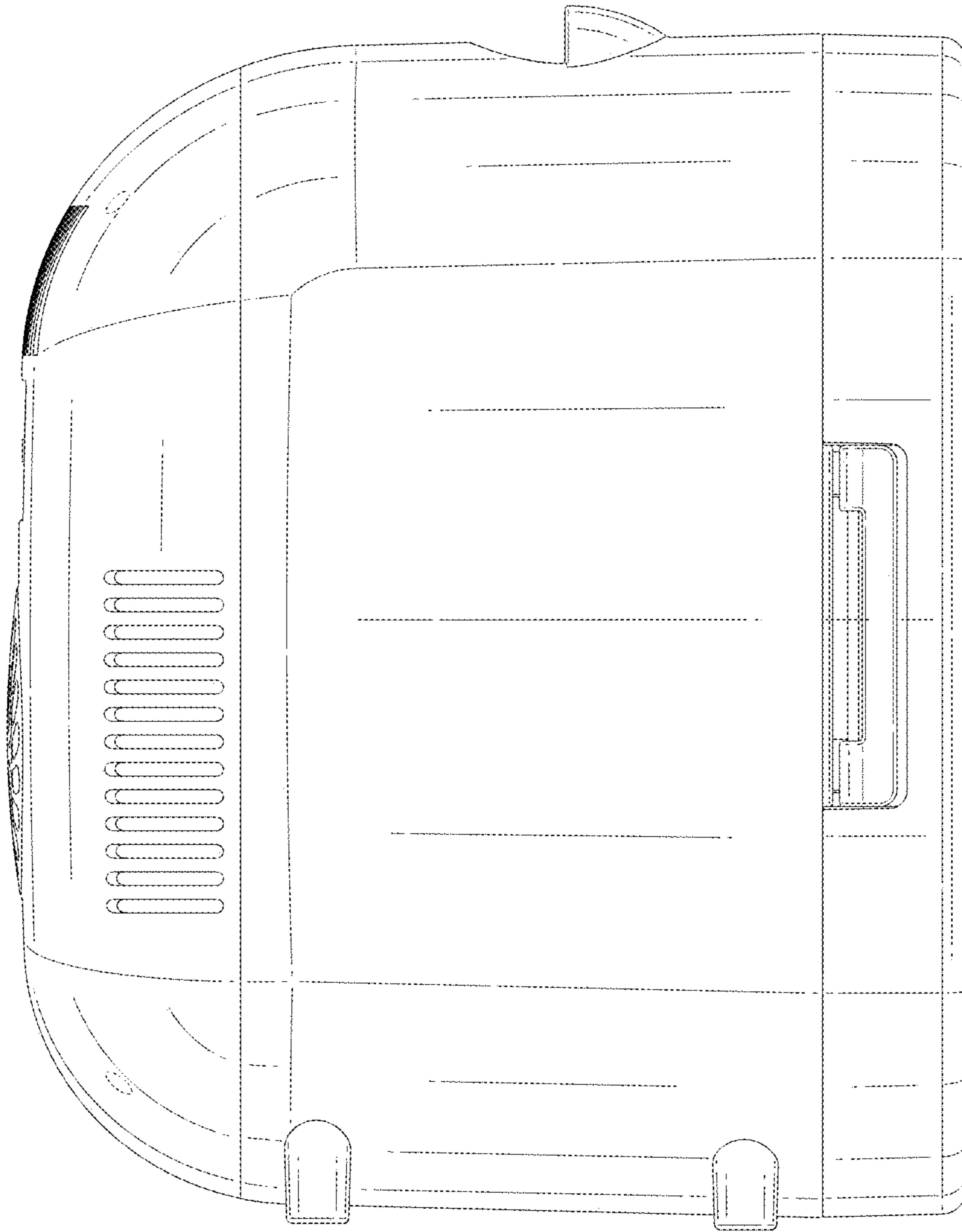


FIG.4

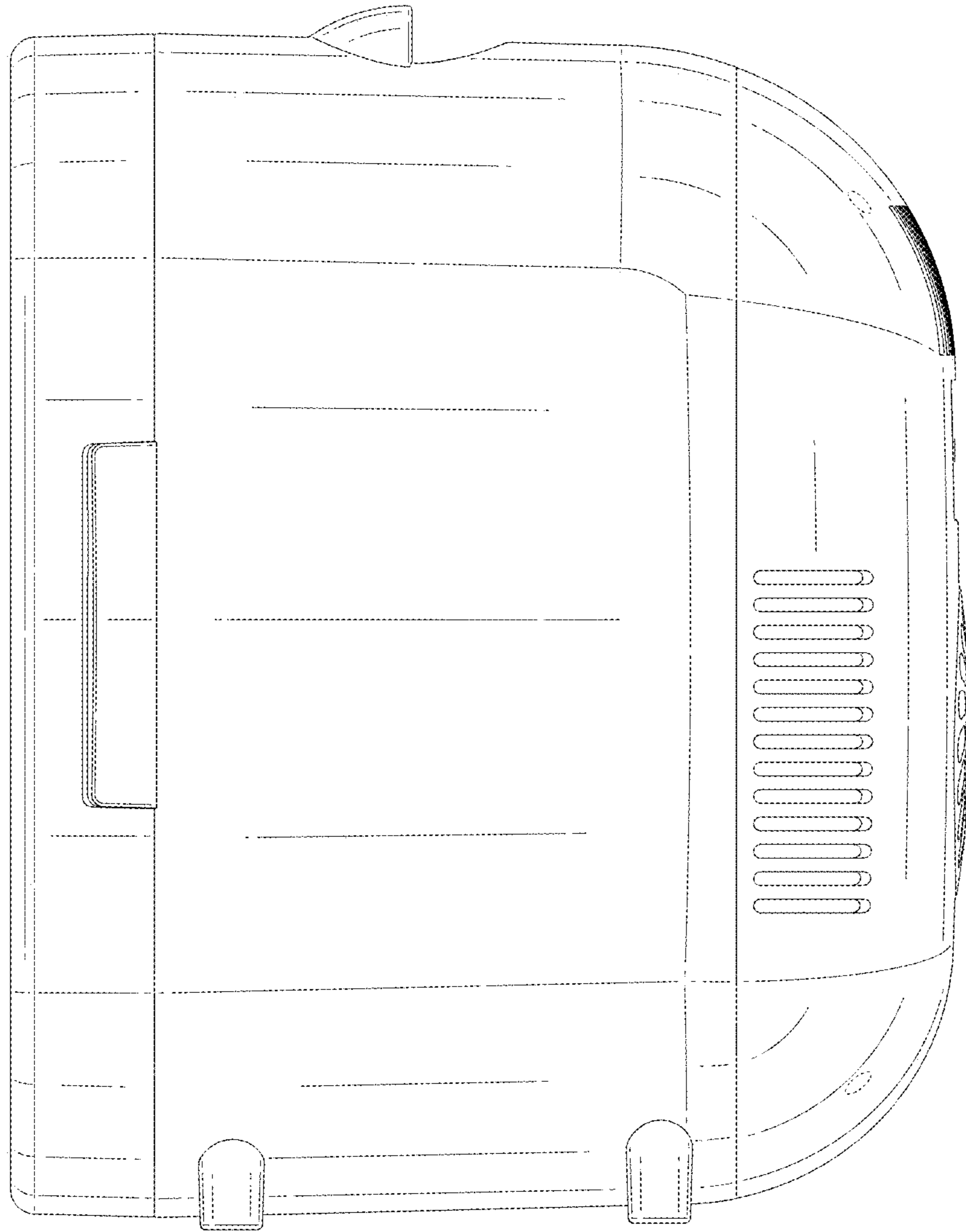


FIG.5

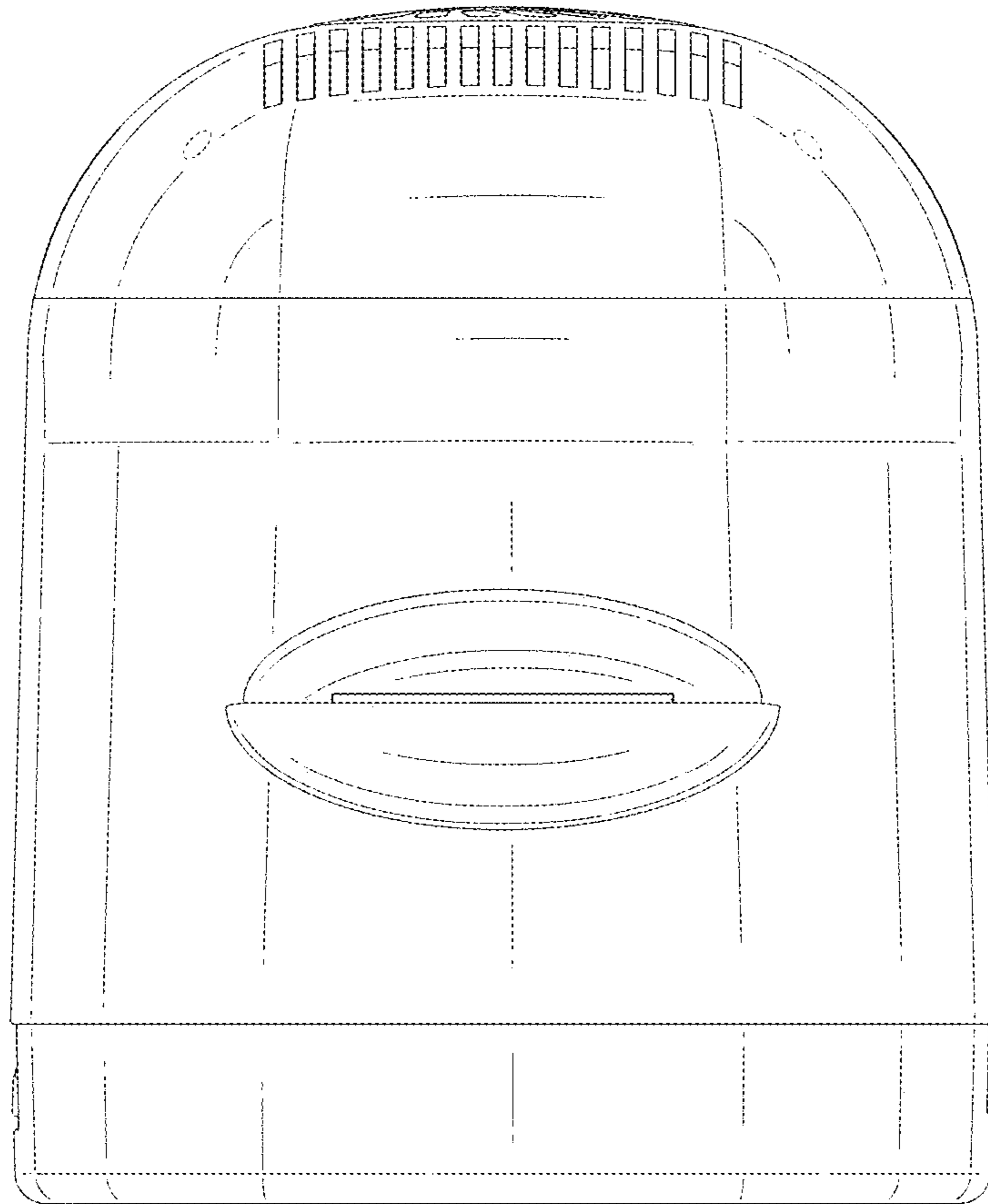


FIG.6

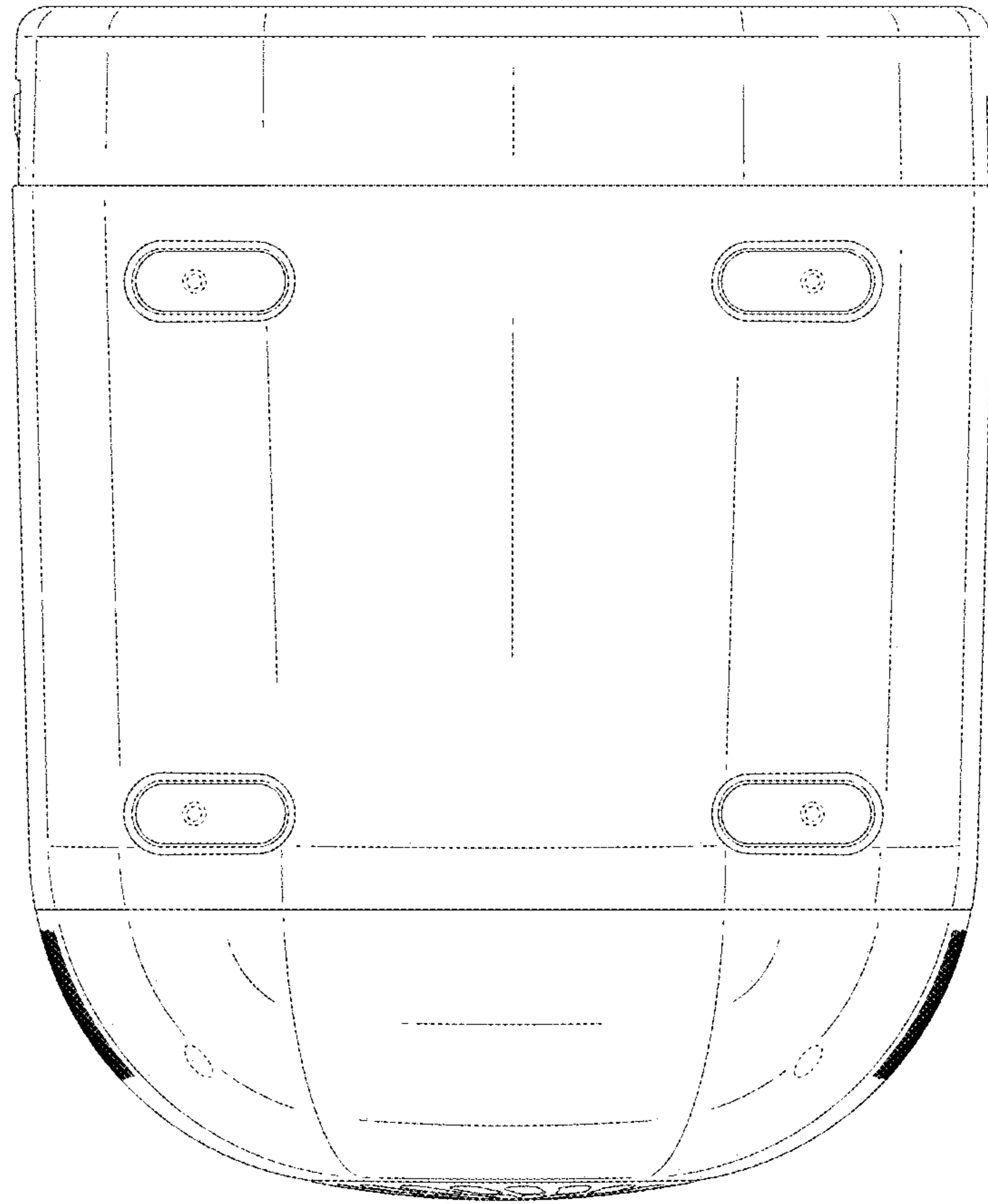


FIG.7

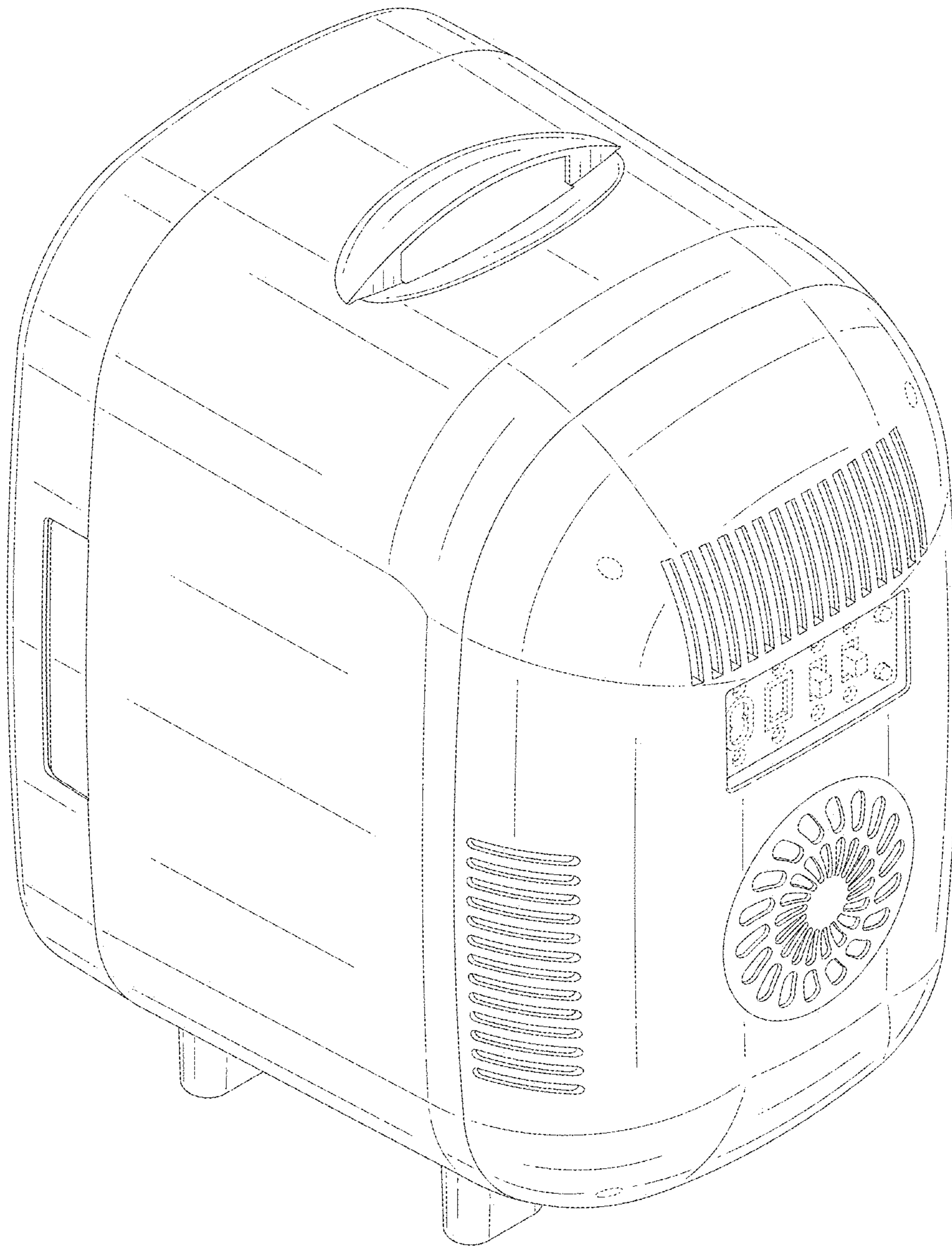


FIG.8

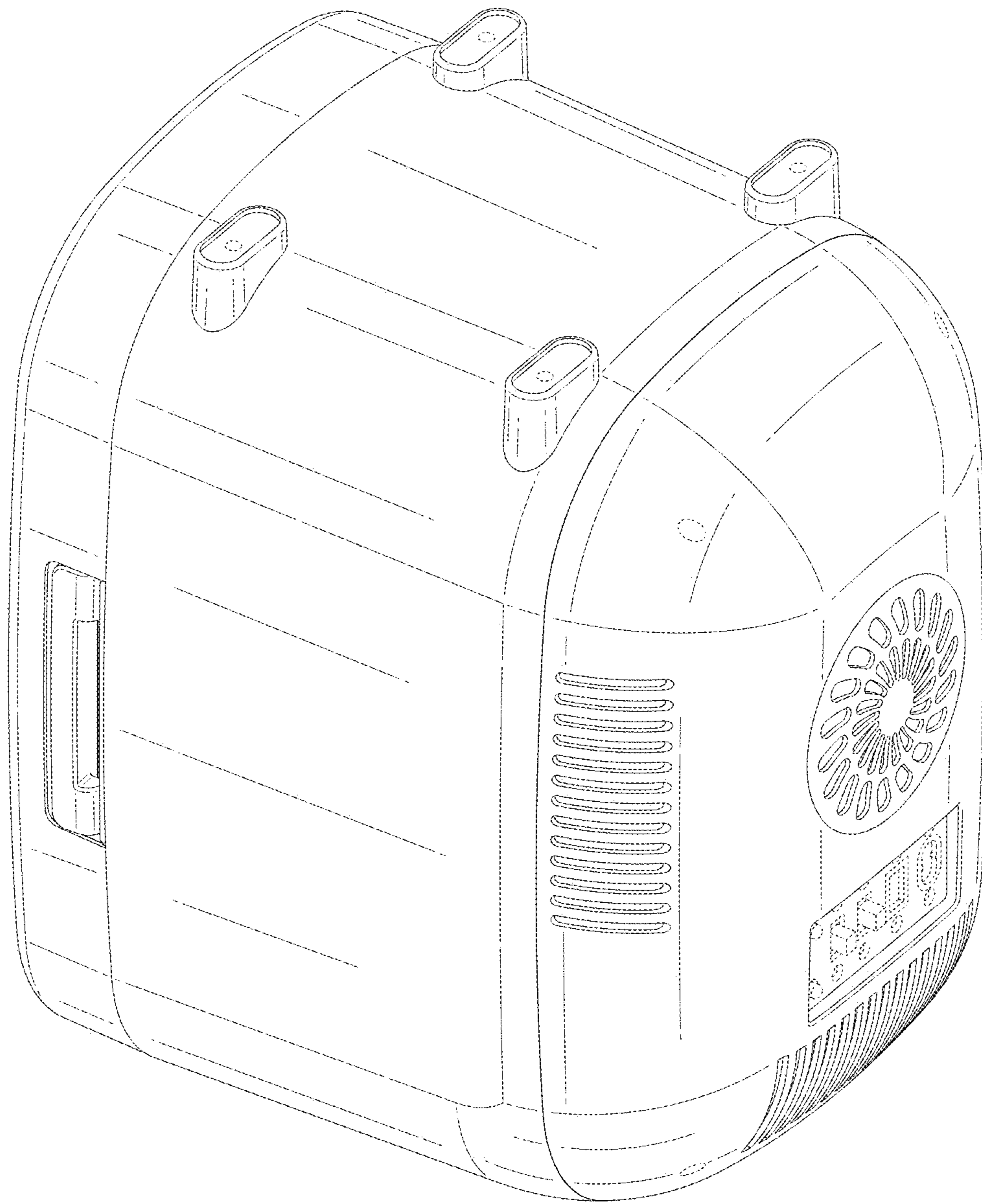


FIG.9