



US00D976286S

(12) **United States Design Patent** (10) **Patent No.:** **US D976,286 S**  
**Rhein et al.** (45) **Date of Patent:** **\*\* Jan. 24, 2023**

(54) **CHILLER CABINET**

F24F 6/04; F24F 6/043; F24F 6/10; F24F 6/12; F24F 6/14; F24F 7/08

(71) Applicant: **LAUDA DR. R. WOBSE R GMBH & CO. KG**, Lauda-Königshofen (DE)

See application file for complete search history.

(72) Inventors: **Detlef Rhein**, Hamburg (DE); **Till Garthoff**, Hamburg (DE)

(56) **References Cited**

(73) Assignee: **LAUDA DR. R. WOBSE R GMBH & CO. KG**, Lauda-Königshofen (DE)

U.S. PATENT DOCUMENTS

(\*\*) Term: **15 Years**

D627,855	S	*	11/2010	Ito	.....	D23/200
D855,667	S	*	8/2019	Shu	.....	D15/79
D908,146	S	*	1/2021	Kim	.....	D15/79
D916,144	S	*	4/2021	Deng	.....	D15/79
D926,233	S	*	7/2021	Farley	.....	D15/79
2016/0146519	A1	*	5/2016	Ito	.....	F25B 39/04 62/498

(21) Appl. No.: **29/690,898**

\* cited by examiner

(22) Filed: **May 13, 2019**

(51) **LOC (14) Cl.** ..... **15-07**

*Primary Examiner* — Khawaja Anwar

(52) **U.S. Cl.**  
USPC ..... **D15/79**

(74) *Attorney, Agent, or Firm* — Bachman & LaPointe, P.C.

(58) **Field of Classification Search**

(57) **CLAIM**

USPC ..... D15/79–91  
 CPC ..... F24F 11/30; F24F 11/62; F24F 2110/10;  
 F24F 11/46; F24F 11/56; F24F 2110/00;  
 F24F 11/58; F24F 2140/60; F24F 11/52;  
 F24F 11/32; F24F 11/63; F24F 11/64;  
 F24F 2006/008; F24F 3/14; F24F 11/59;  
 F24F 11/70; F24F 11/83; F24F 13/28;  
 F24F 1/0007; F24F 2110/20; F24F  
 2120/10; F24F 2120/20; F24F 2140/50;  
 F24F 11/0001; F24F 11/54; F24F 11/61;  
 F24F 11/76; F24F 11/85; F24F 11/88;  
 F24F 11/89; F24F 13/20; F24F 13/24;  
 F24F 1/02; F24F 1/022; F24F 1/08; F24F  
 1/12; F24F 1/32; F24F 2006/046; F24F  
 2110/70; F24F 2120/12; F24F 2120/14;  
 F24F 2130/00; F24F 2130/10; F24F  
 2130/30; F24F 2221/12; F24F 3/147;  
 F24F 3/1603; F24F 5/0035; F24F 6/02;

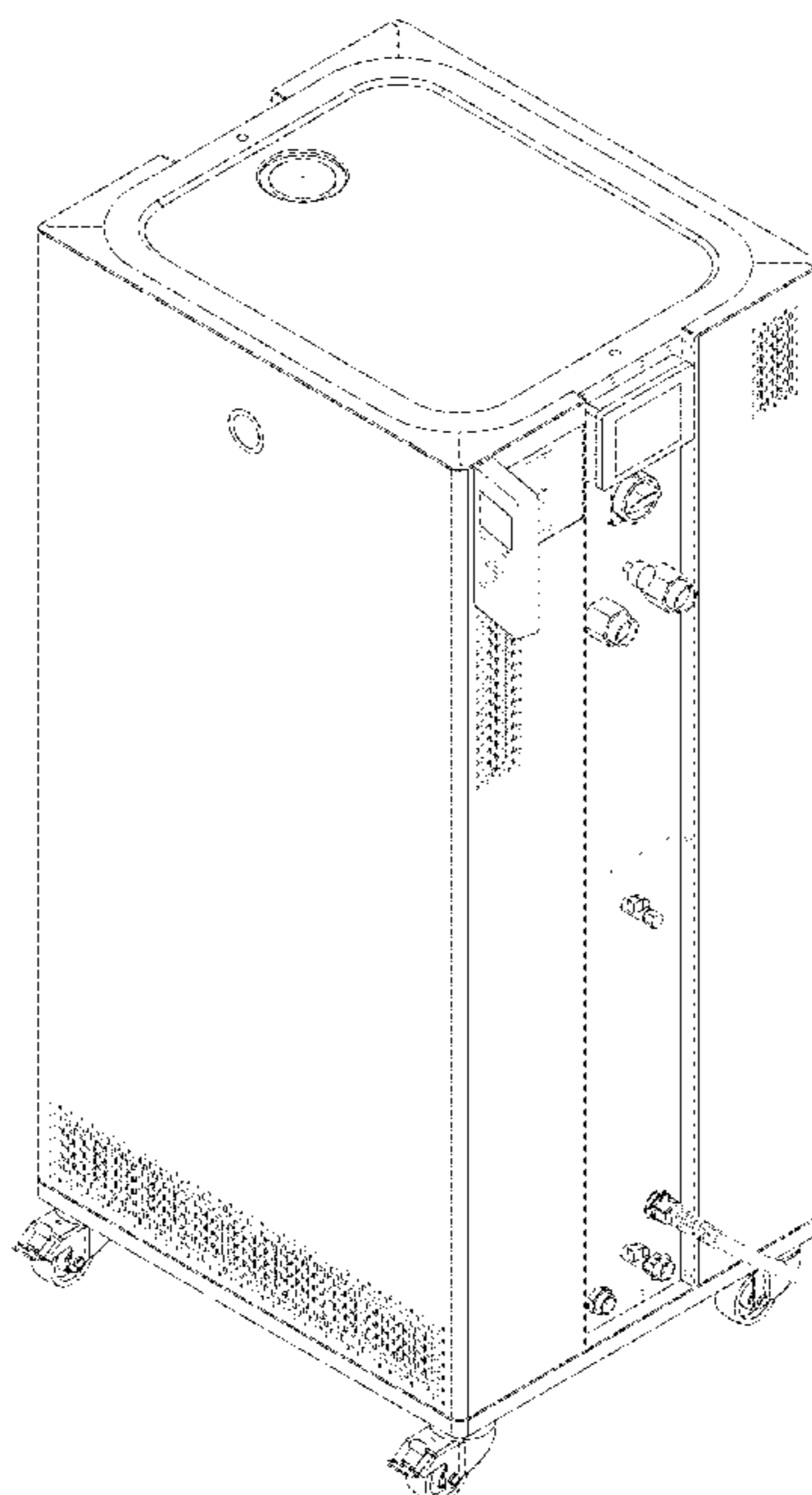
The ornamental design for a chiller cabinet, as described and shown.

**DESCRIPTION**

FIG. 1 is an isometric view of an embodiment of a chiller cabinet, in accordance with the invention;  
 FIG. 2 is a front view of the chiller cabinet of FIG. 1;  
 FIG. 3 is a back view of the chiller cabinet of FIG. 1;  
 FIG. 4 is a left side view of the chiller cabinet of FIG. 1;  
 FIG. 5 is a right side view of the chiller cabinet of FIG. 1;  
 FIG. 6 is a top view of the chiller cabinet of FIG. 1; and,  
 FIG. 7 is a rear isometric view of the chiller cabinet of FIG. 1.

Features in the drawings that are shown in broken lines do not form any part of the claimed ornamental design.

**1 Claim, 7 Drawing Sheets**



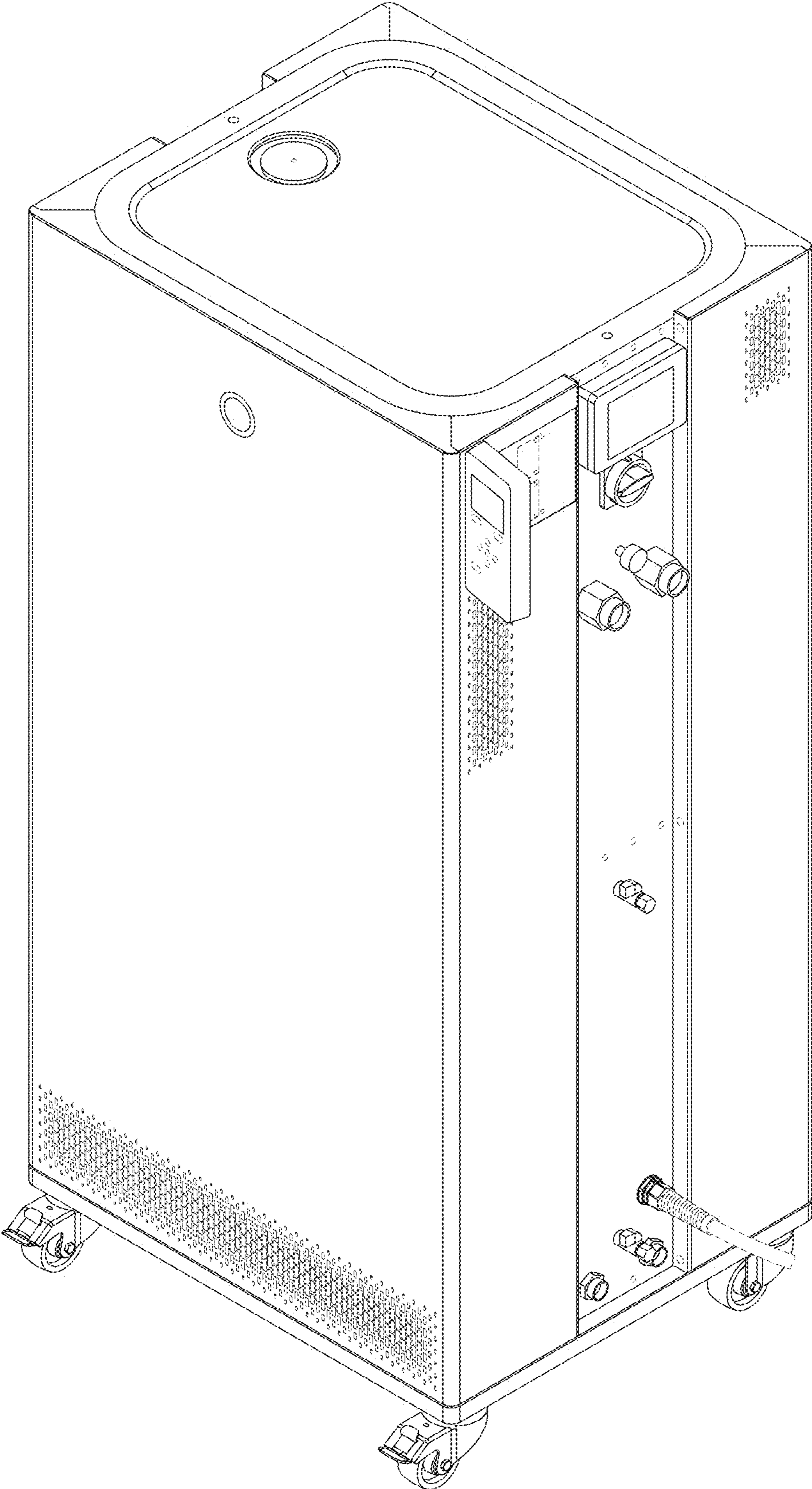


FIG. 1

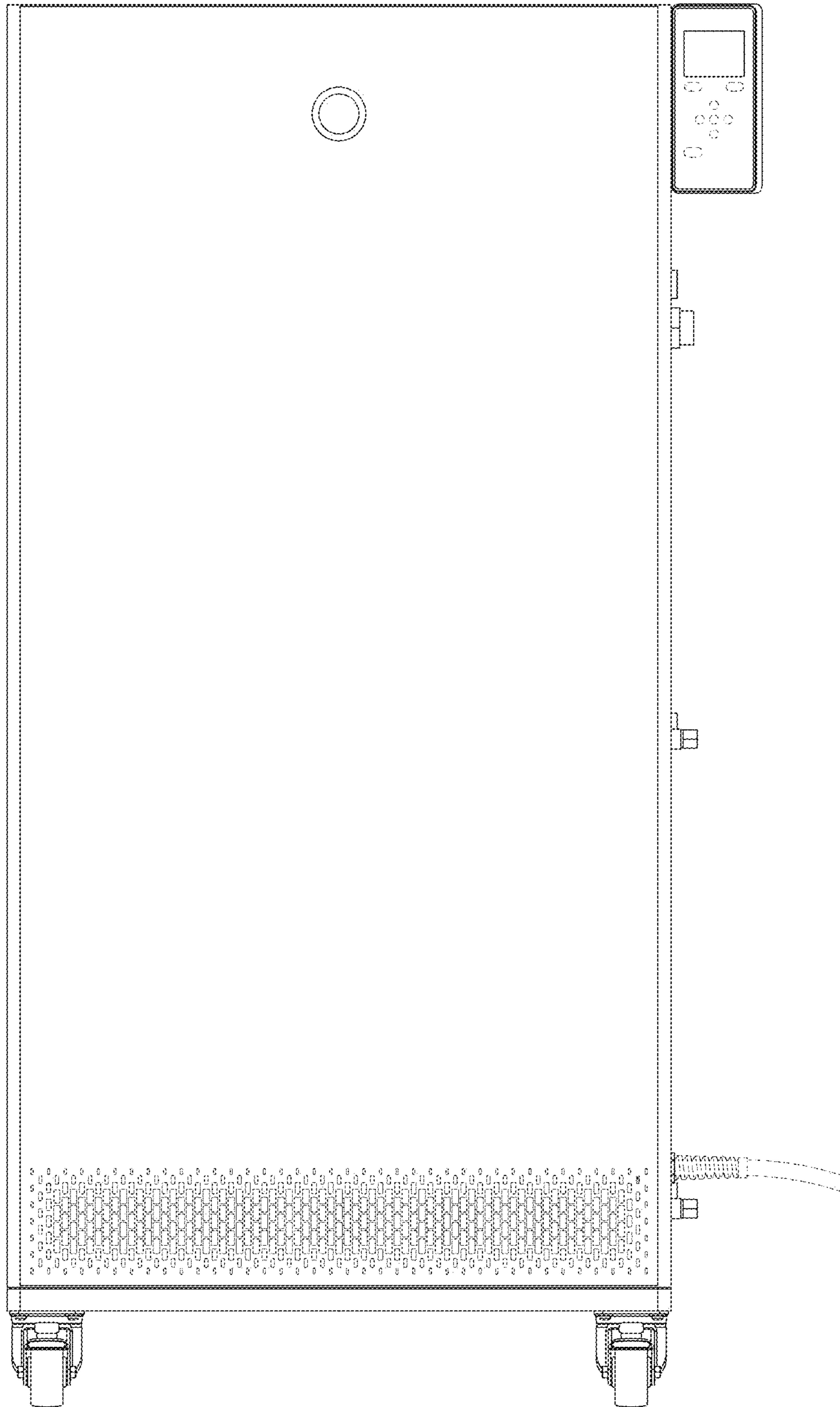


FIG. 2

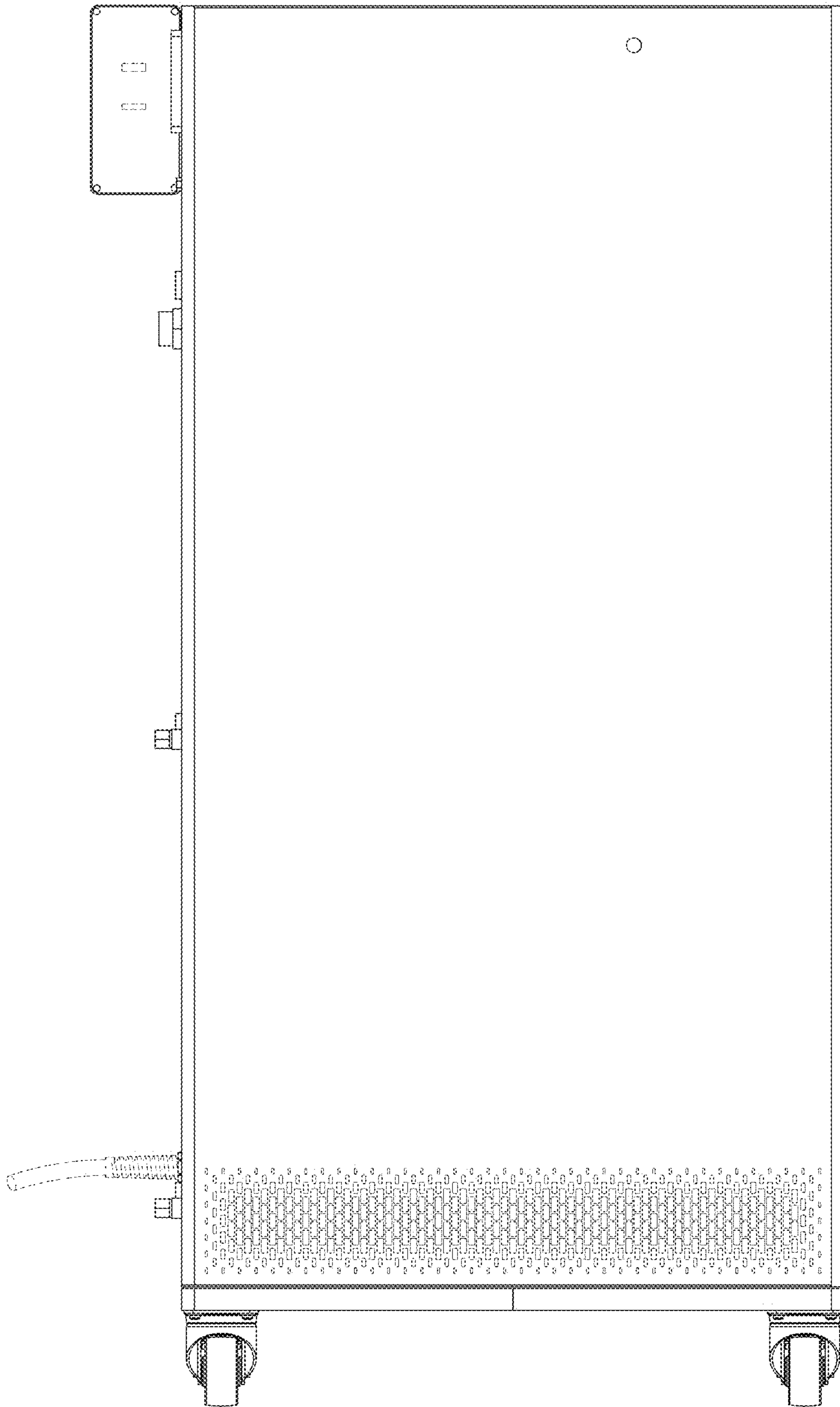


FIG. 3

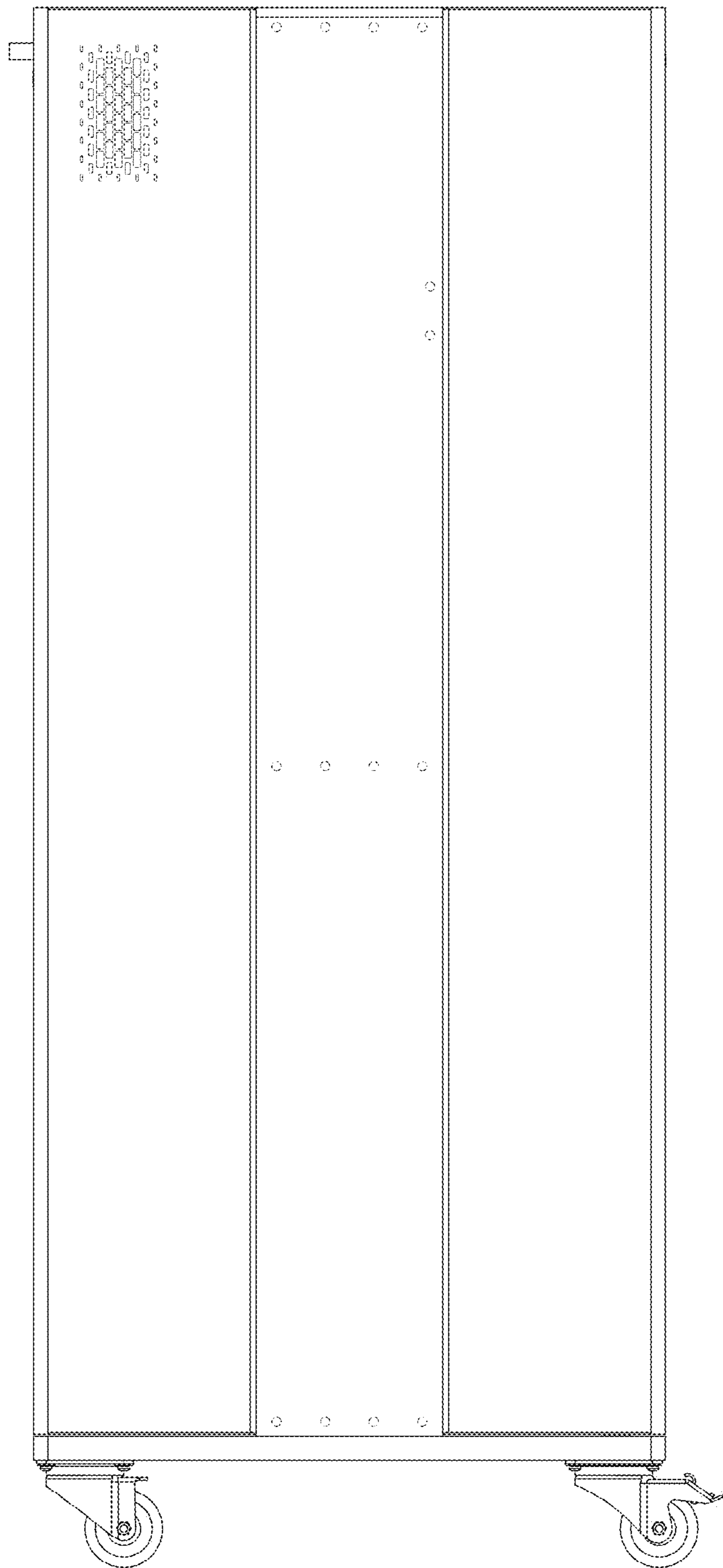


FIG. 4

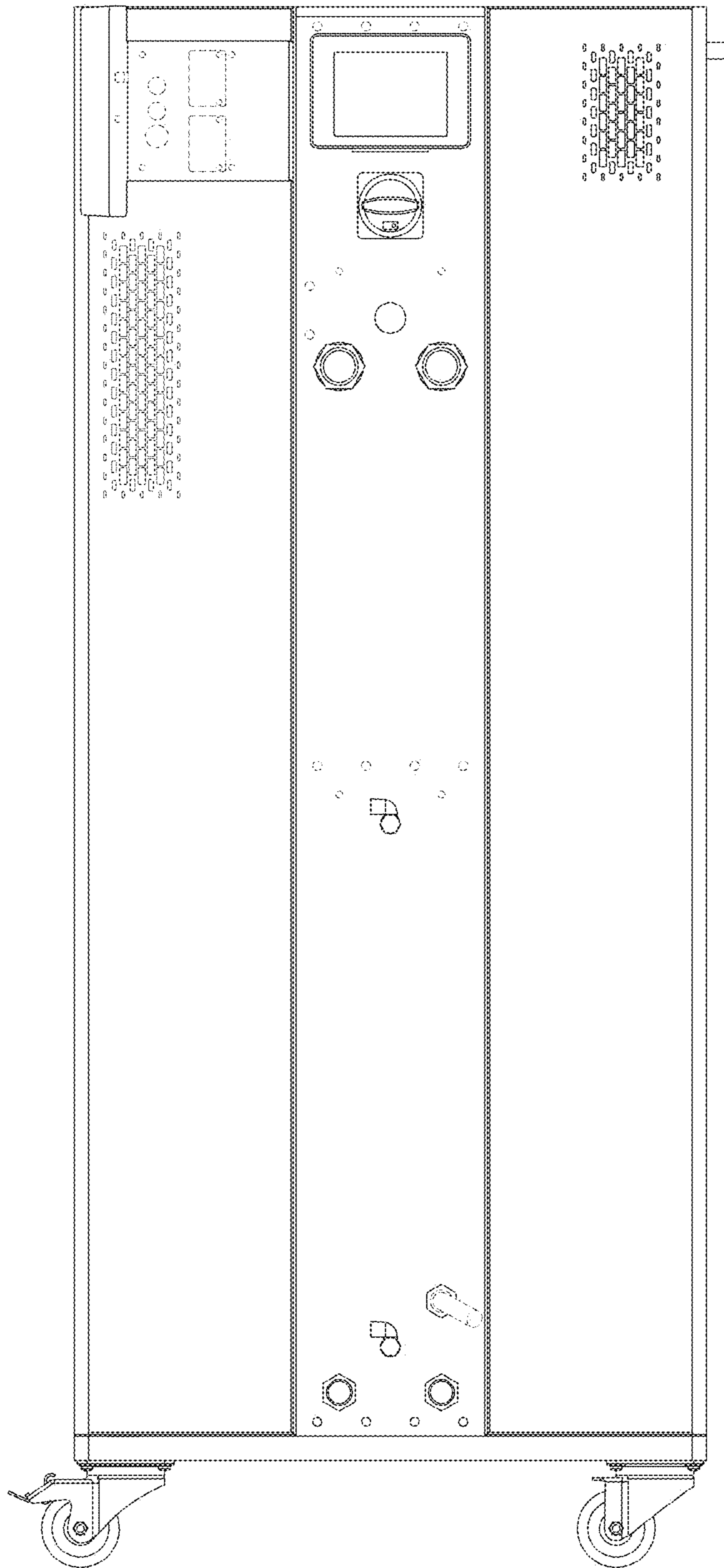


FIG. 5

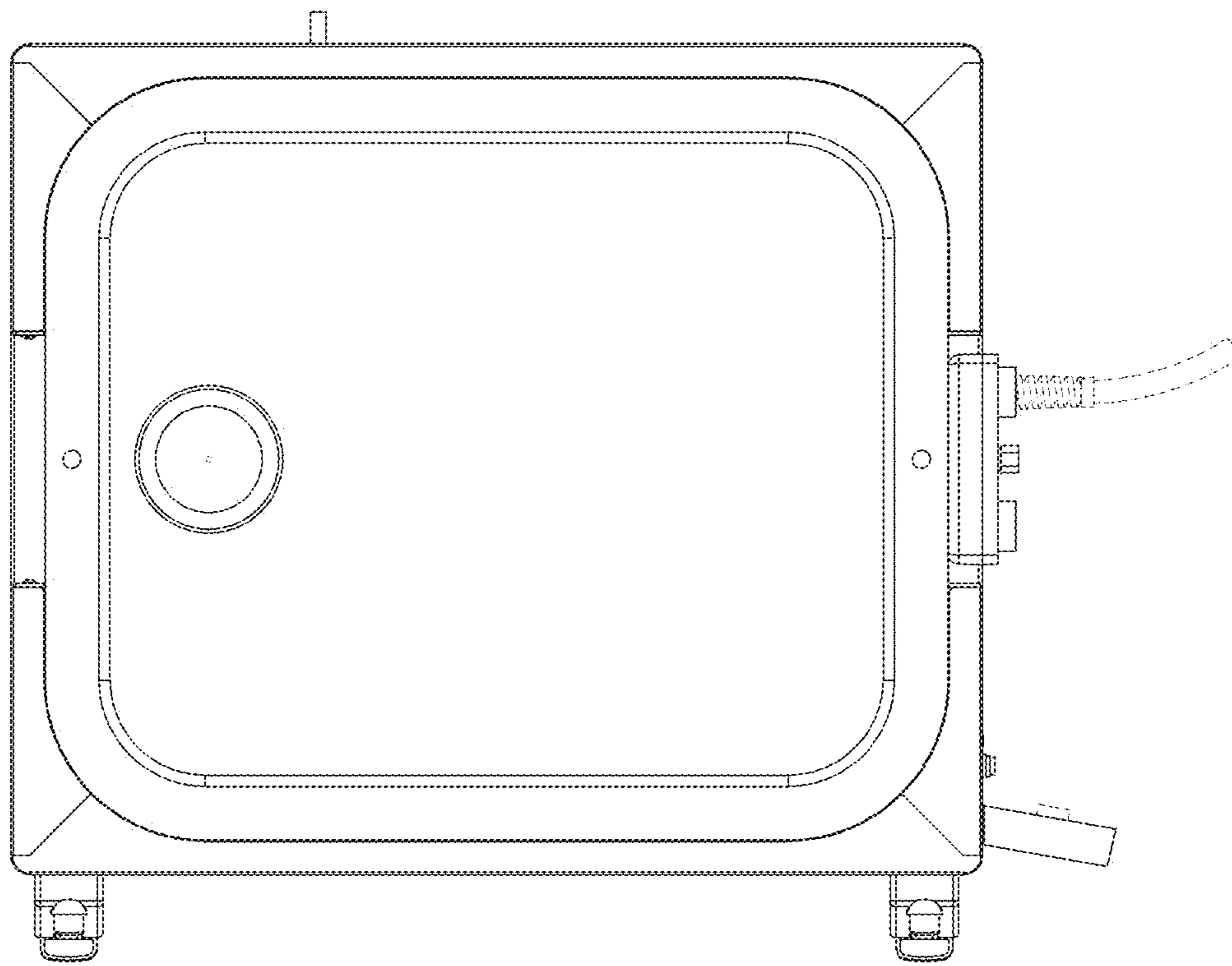


FIG. 6

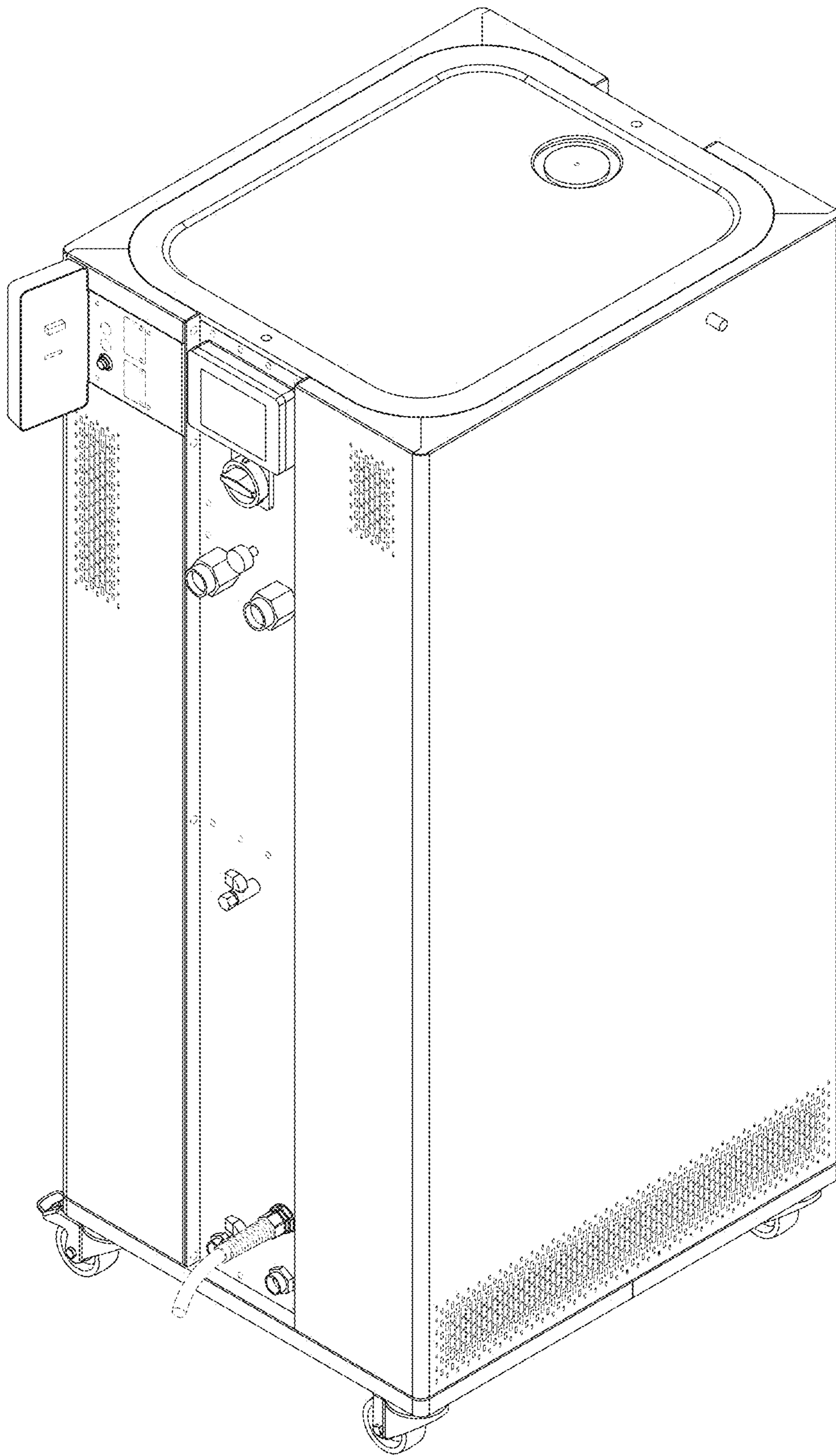


FIG. 7