



US00D976285S

(12) **United States Design Patent** (10) **Patent No.:** **US D976,285 S**
Sinico (45) **Date of Patent:** **** Jan. 24, 2023**

(54) **PUMP**

OTHER PUBLICATIONS

(71) Applicant: **DAB PUMPS S.P.A.**, Mestrino (IT)

Dab, Eskybox Max, (site visited Mar. 2, 2022), Eskyboxline.com
website:<<https://esyboxline.com/en-us/esybox-max/>> (Year: 2022).*

(72) Inventor: **Francesco Sinico**, Montecchio
Maggiore (IT)

Primary Examiner — Calvin E Vansant
Assistant Examiner — Mark T. Philipps

(73) Assignee: **DAB PUMPS S.P.A.**, Mestrino (IT)

(74) *Attorney, Agent, or Firm* — Scully, Scott, Murphy &
Presser, P.C.

(**) Term: **15 Years**

(57) **CLAIM**

(21) Appl. No.: **29/755,948**

The ornamental design for a pump, as shown and described.

(22) Filed: **Oct. 23, 2020**

DESCRIPTION

(30) **Foreign Application Priority Data**

Apr. 23, 2020 (EM) 007833454

(51) **LOC (14) Cl.** **15-02**

(52) **U.S. Cl.**
USPC **D15/7**

(58) **Field of Classification Search**
USPC D23/206, 213, 214, 225, 231, 232, 387,
D23/421; D15/5, 7-9, 199; D10/96, 97,
D10/99, 101

CPC F24H 2240/00; F24H 2240/02; F24H
2240/04; F24H 2240/06; F22D 5/00;
G01F 7/00; F04D 13/06; F04D 29/041;
F04D 29/22; F04D 29/60; F04D 29/605;
F04D 15/0088; F04D 15/0066; F04D
15/0245; F04B 17/03; F04B 17/046;
F04B 17/048; F04B 35/04; F04B 43/04;
F04B 43/043

See application file for complete search history.

(56) **References Cited**

U.S. PATENT DOCUMENTS

D281,404 S * 11/1985 Hicks D10/99
D551,681 S * 9/2007 Rhea D15/9
D557,708 S * 12/2007 Carpenter D15/7
D601,590 S * 10/2009 Burnham D15/7

(Continued)

FIG. 1 is a perspective view of a pump showing my new design;

FIG. 2 is a front view thereof;

FIG. 3 is a rear view thereof;

FIG. 4 is a left side view thereof;

FIG. 5 is a right side view thereof;

FIG. 6 is a top view thereof;

FIG. 7 is a bottom view thereof;

FIG. 8 is a perspective view of a pump showing my new design in another embodiment;

FIG. 9 is a front view thereof;

FIG. 10 is a rear view thereof;

FIG. 11 is a left side view thereof;

FIG. 12 is a right side view thereof;

FIG. 13 is a top view thereof;

FIG. 14 is a bottom view thereof;

FIG. 15 is a perspective view of a pump showing my new design in another embodiment;

FIG. 16 is a front view thereof;

FIG. 17 is a rear view thereof;

FIG. 18 is a left side view thereof;

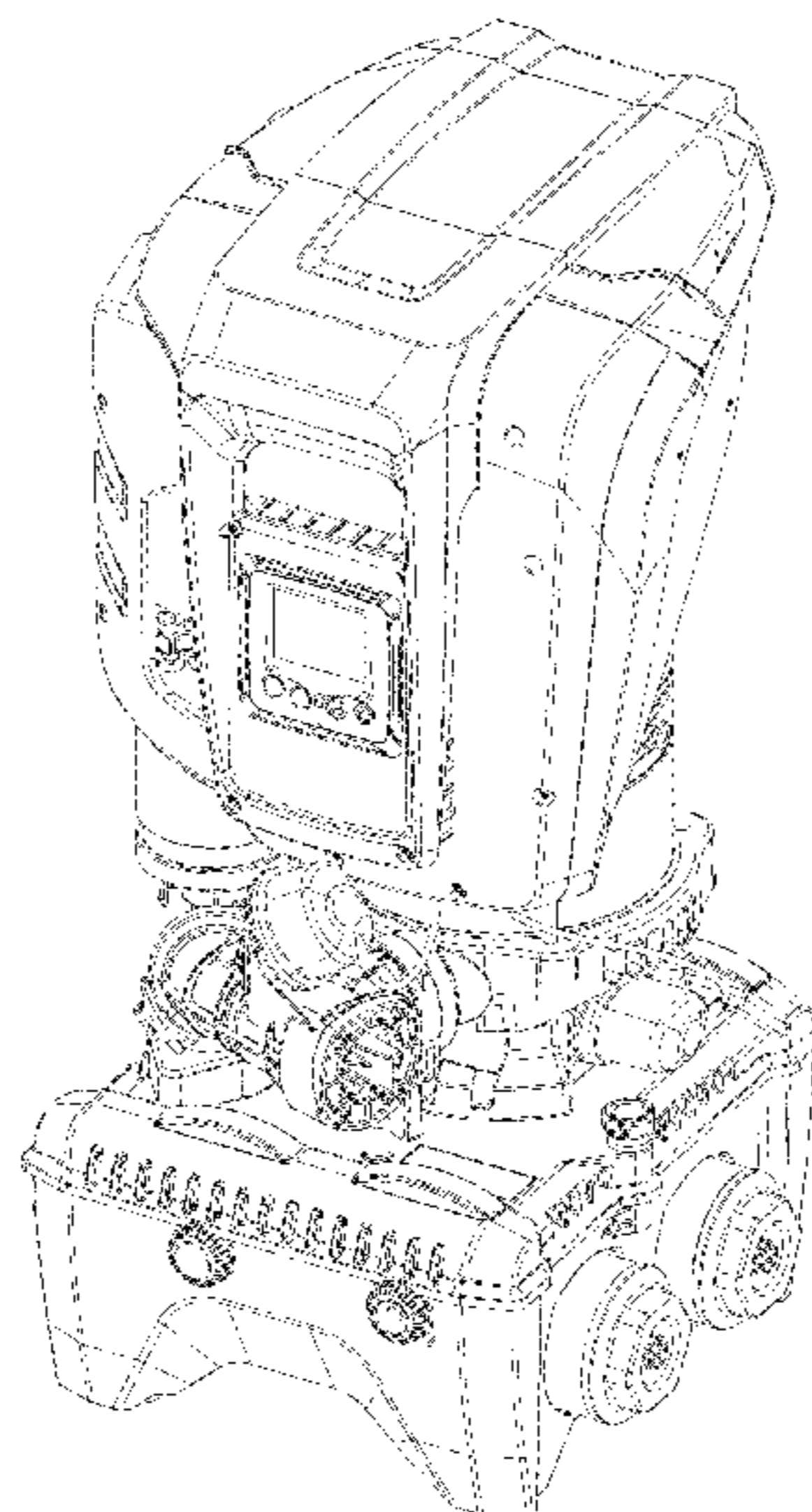
FIG. 19 is a right side view thereof;

FIG. 20 is a top view thereof; and,

FIG. 21 is a bottom view thereof.

The portions of the pump shown in broken lines in the figures attached hereto form no part of the claimed design.

1 Claim, 21 Drawing Sheets



(56)

References Cited

U.S. PATENT DOCUMENTS

D647,537 S * 10/2011 Mehnert D15/7
8,177,524 B1 * 5/2012 Kieffer F04B 53/22
92/128
D682,318 S * 5/2013 Goh D15/9
D792,258 S * 7/2017 Kuppi D10/97
D810,145 S * 2/2018 Sinico D15/7
D812,645 S * 3/2018 Sinico D15/7
D834,068 S * 11/2018 Lee D15/7
D839,313 S * 1/2019 Lee D15/7
D844,669 S * 4/2019 Sinico D15/7
D946,627 S * 3/2022 Wang D15/7
2009/0008481 A1 * 1/2009 Smith B05B 9/0403
239/581.1
2017/0292506 A1 * 10/2017 Shultz F04B 17/06
2021/0277907 A1 * 9/2021 Sinico F04D 13/06
2021/0277912 A1 * 9/2021 Sinico F04D 29/043

* cited by examiner

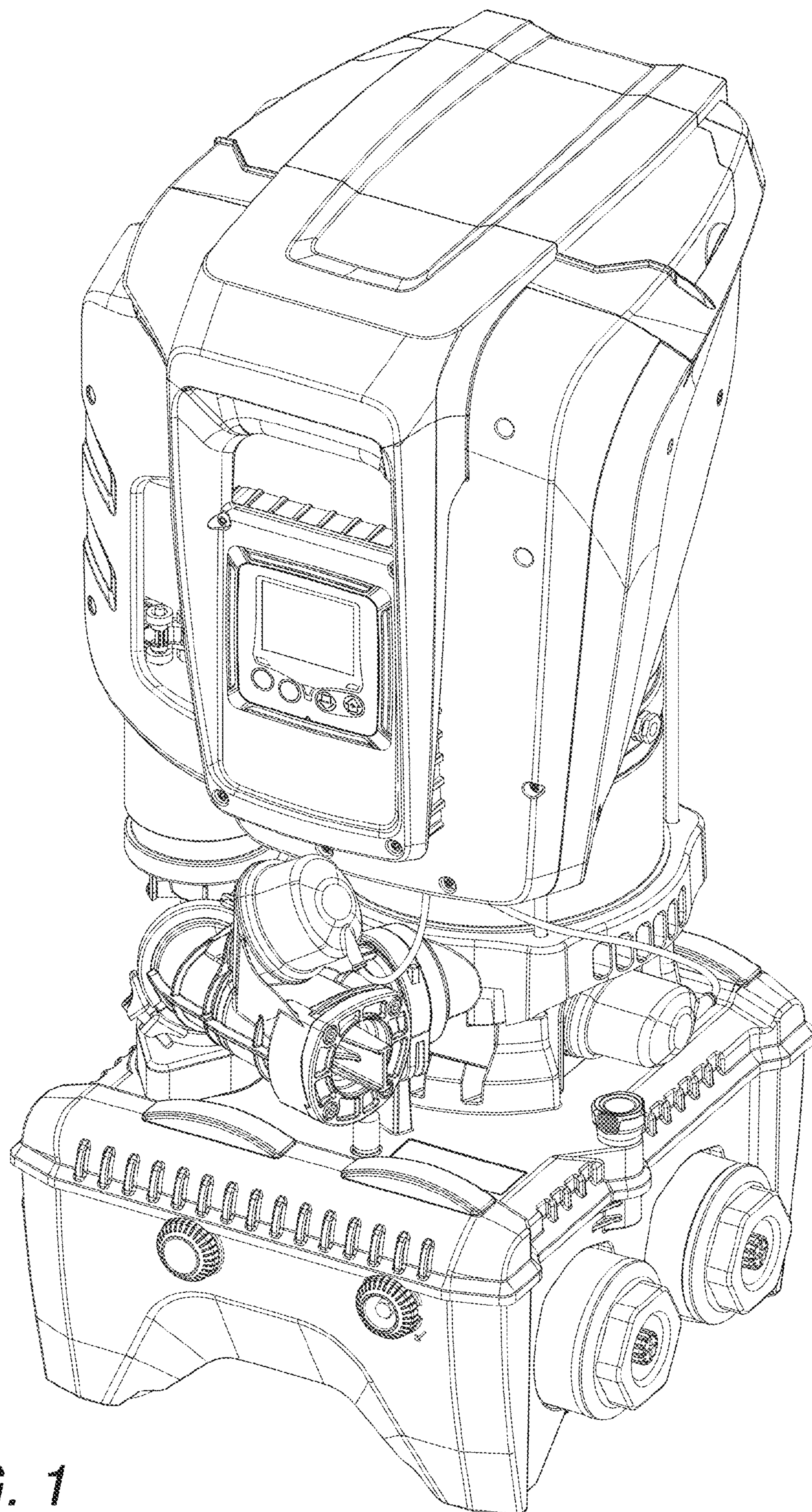


FIG. 1

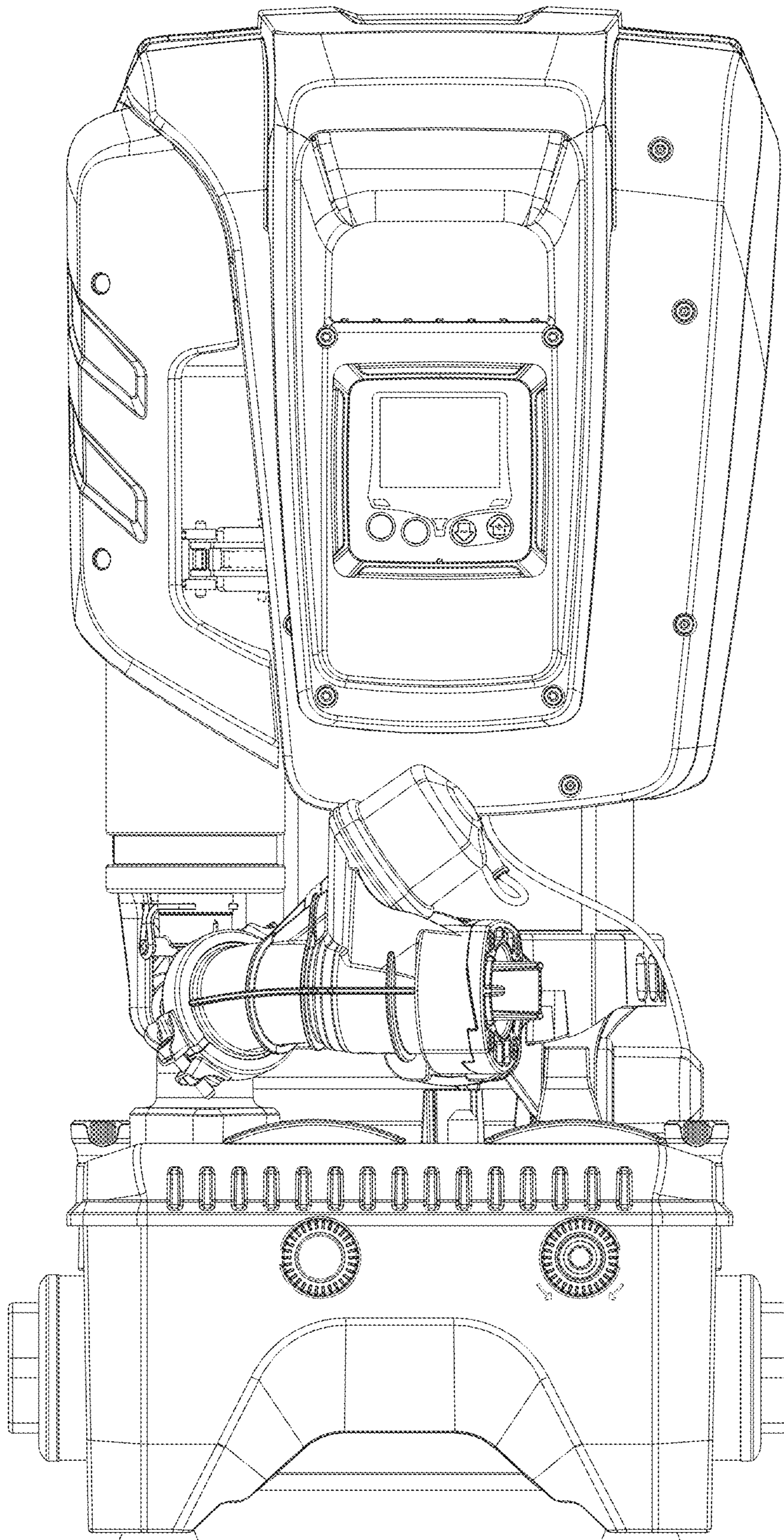


FIG. 2

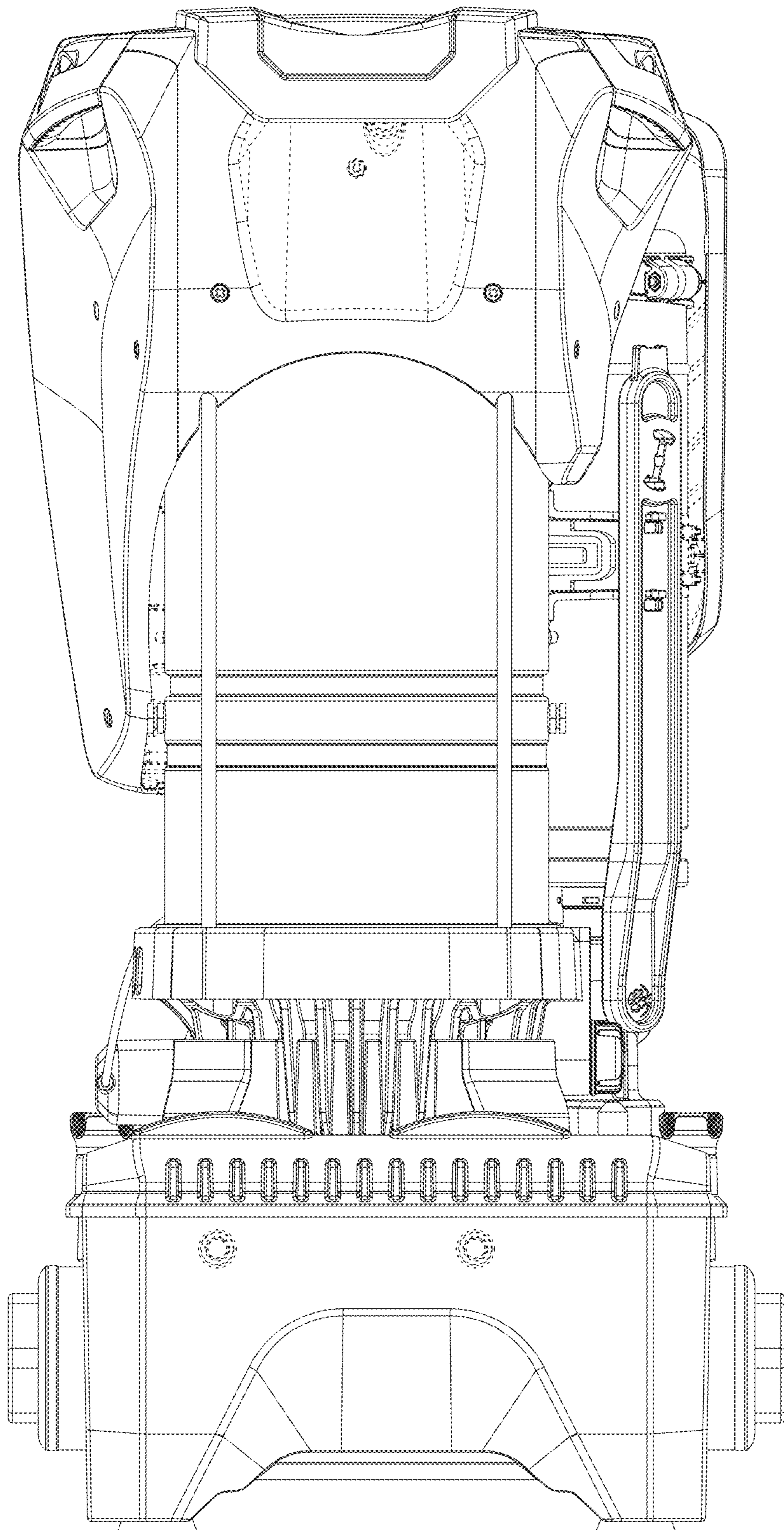


FIG. 3

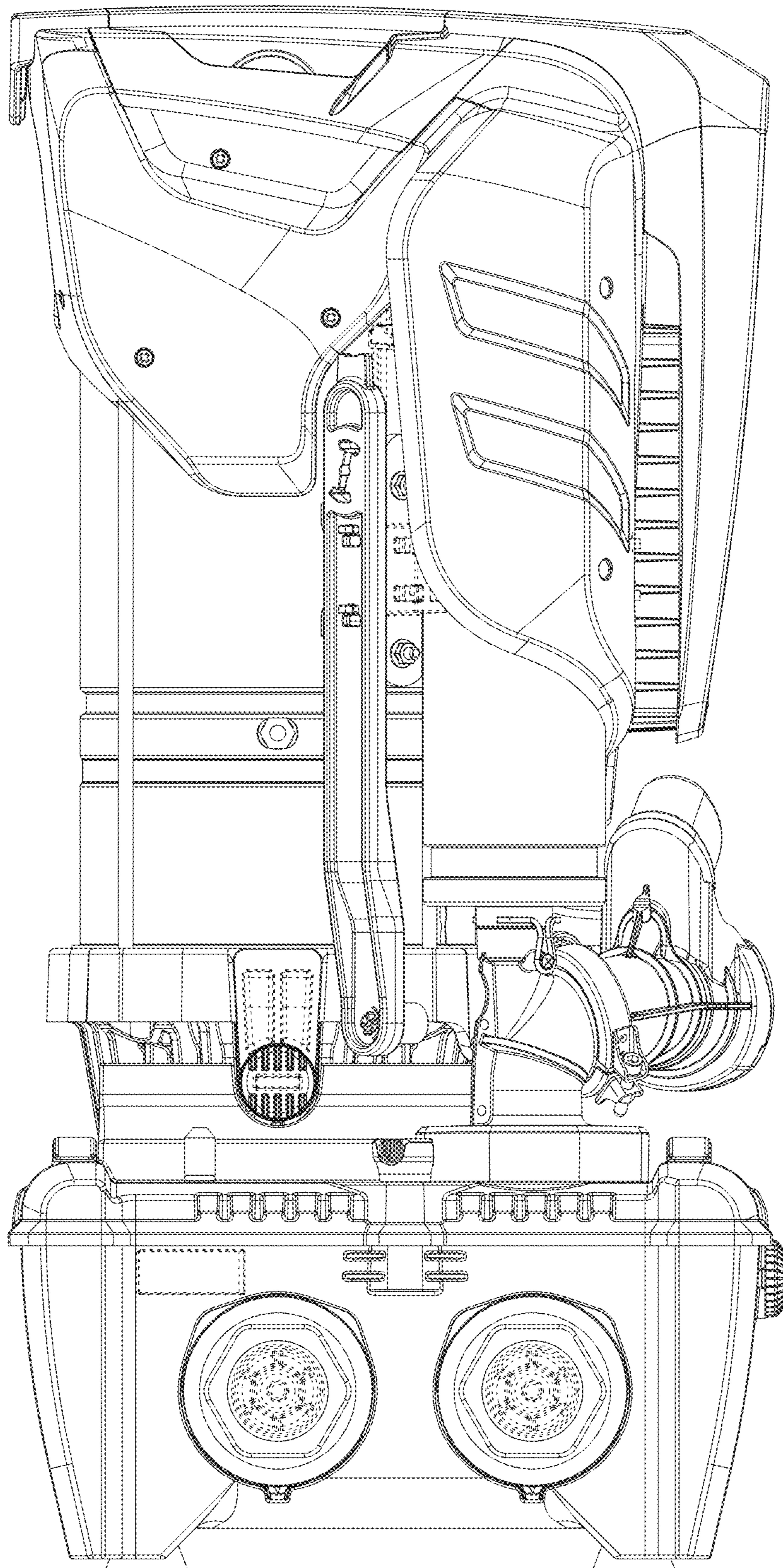


FIG. 4

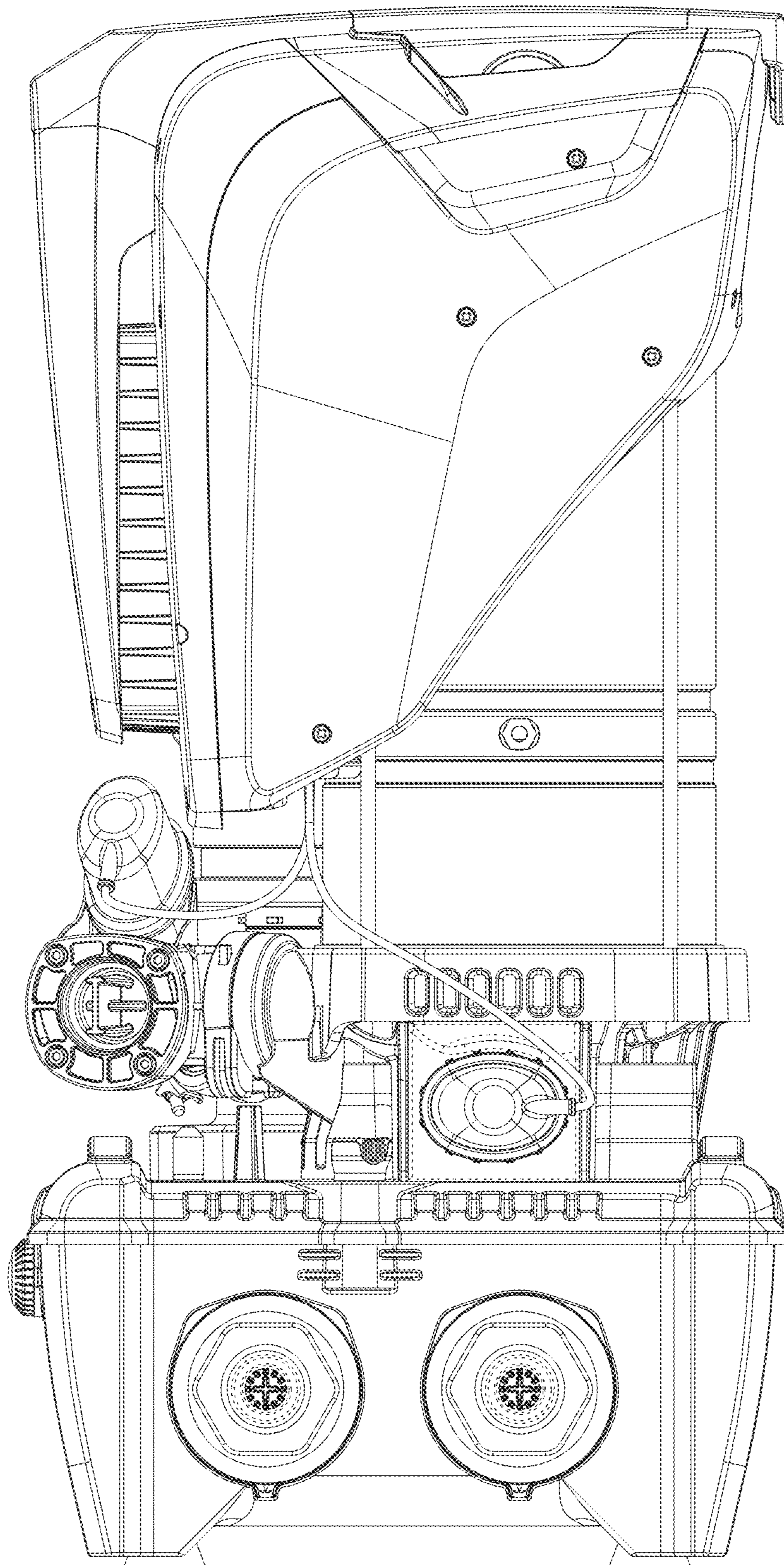


FIG. 5

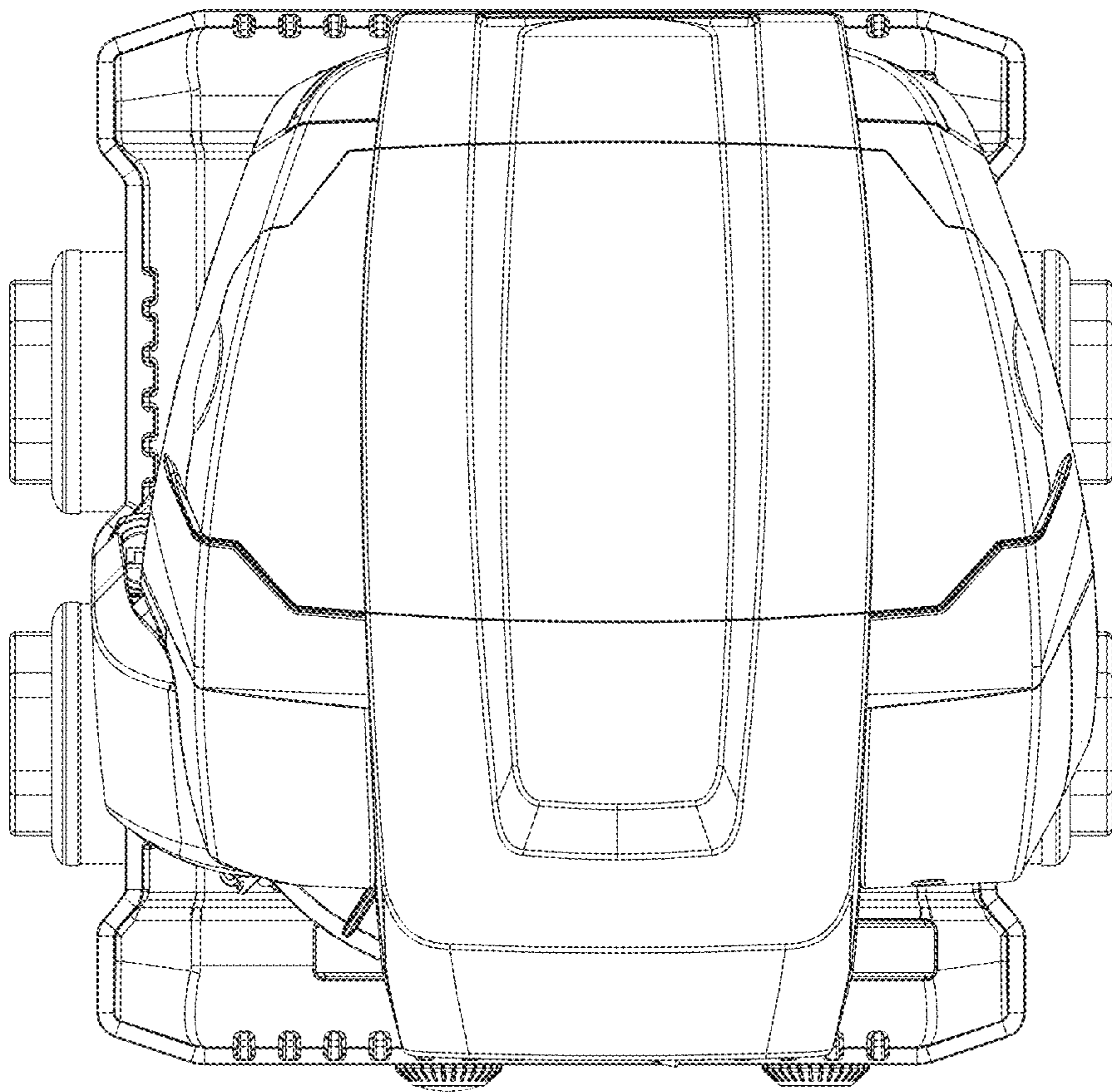


FIG. 6

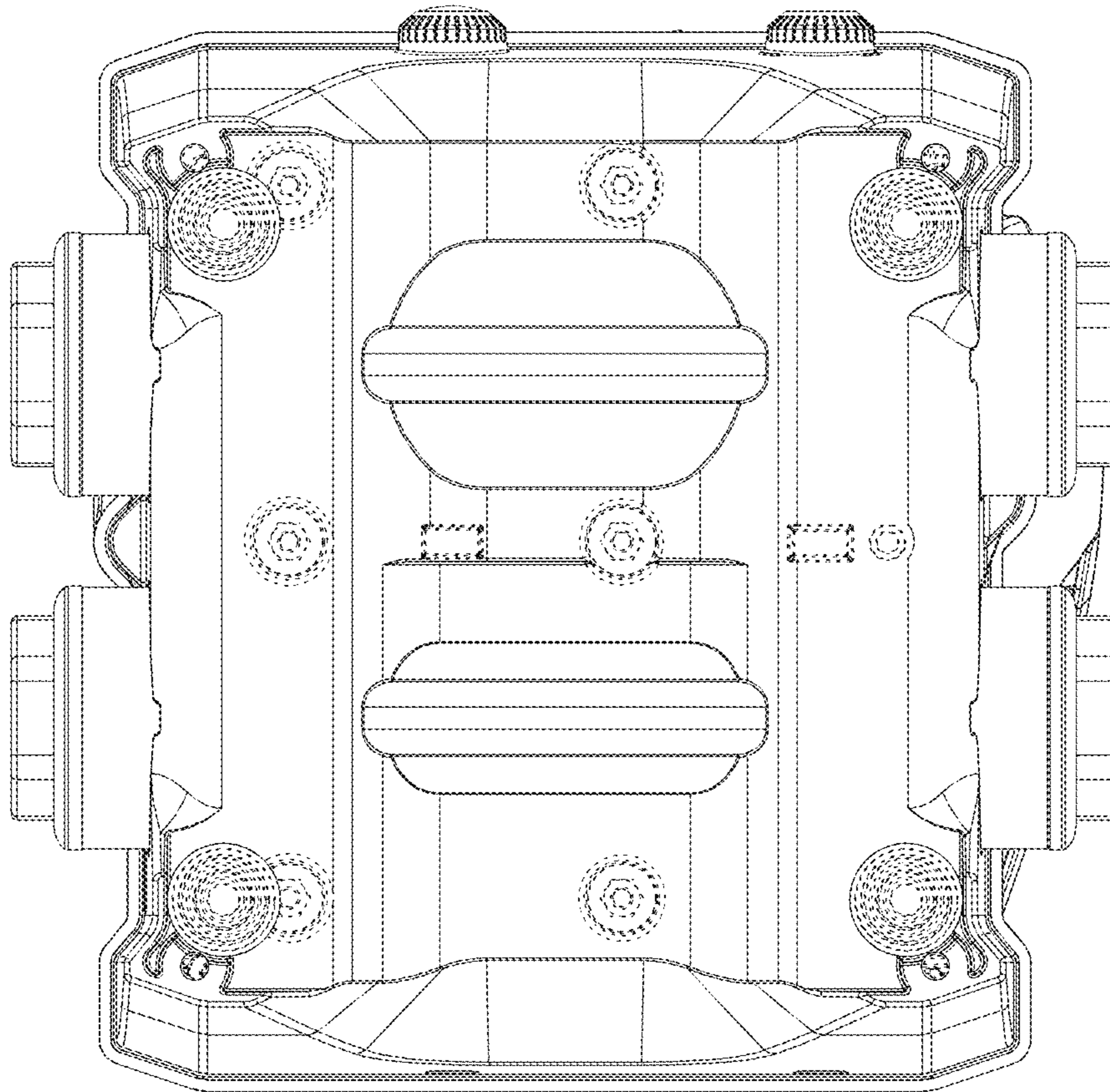


FIG. 7

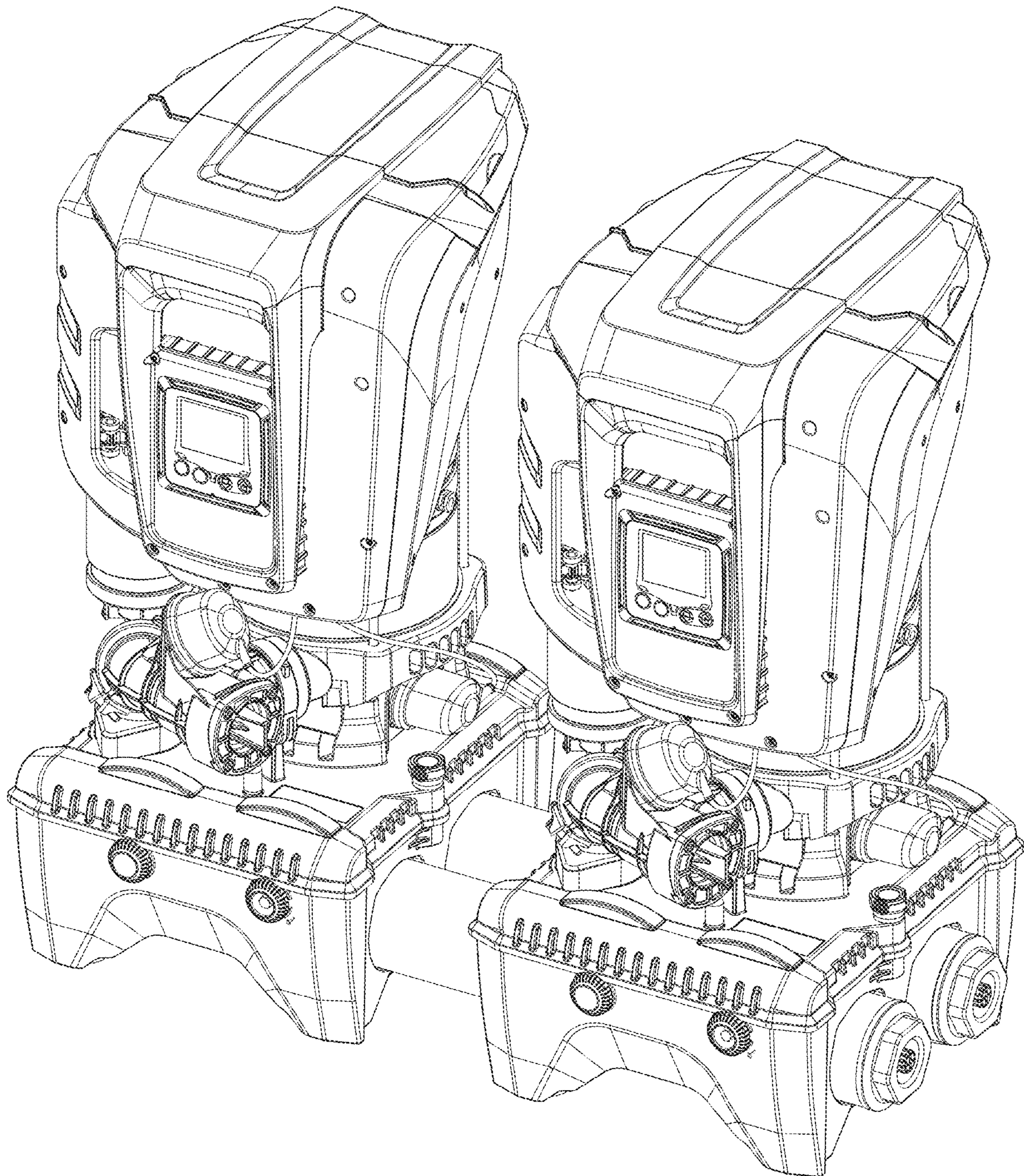


FIG. 8

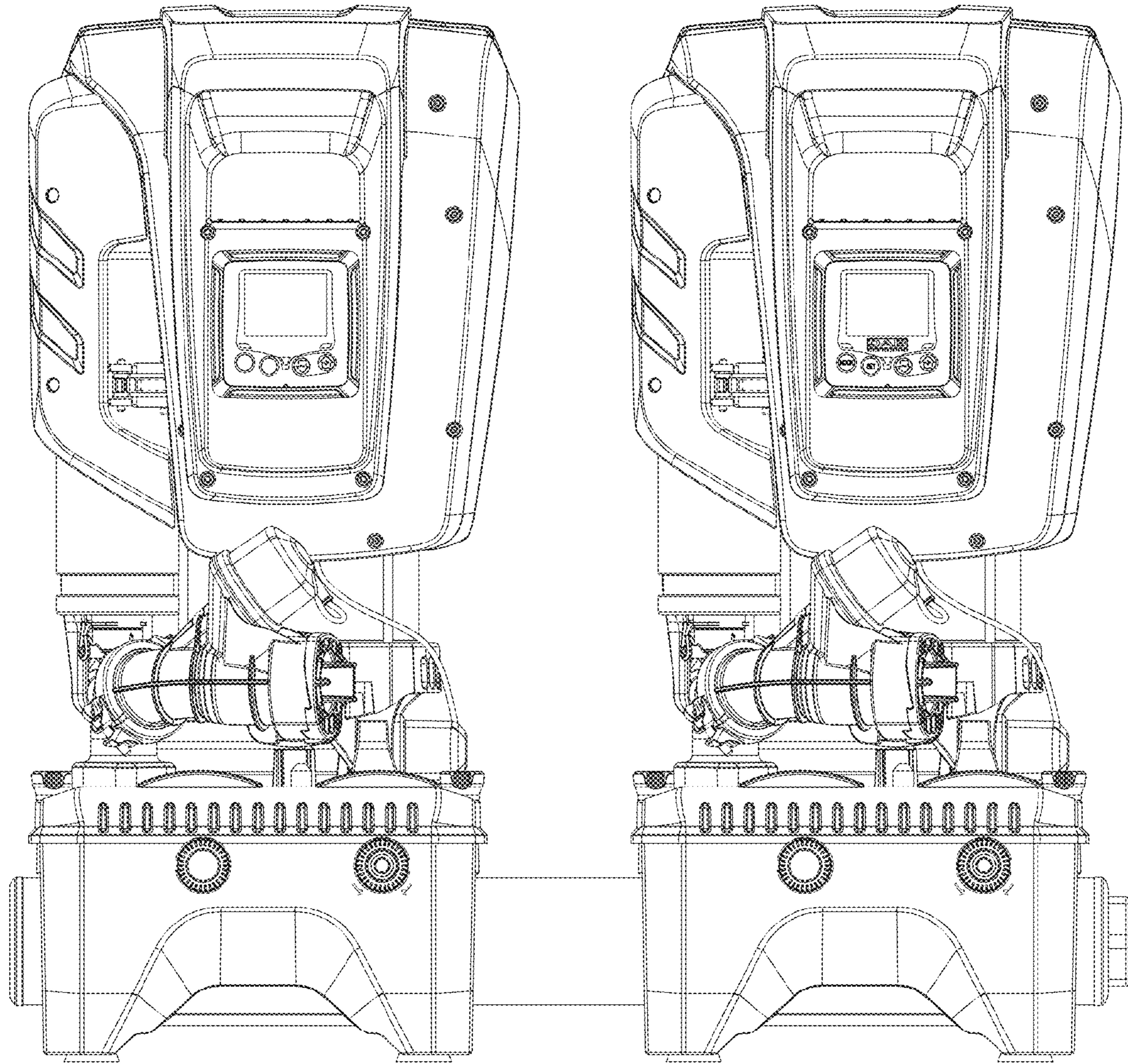


FIG. 9

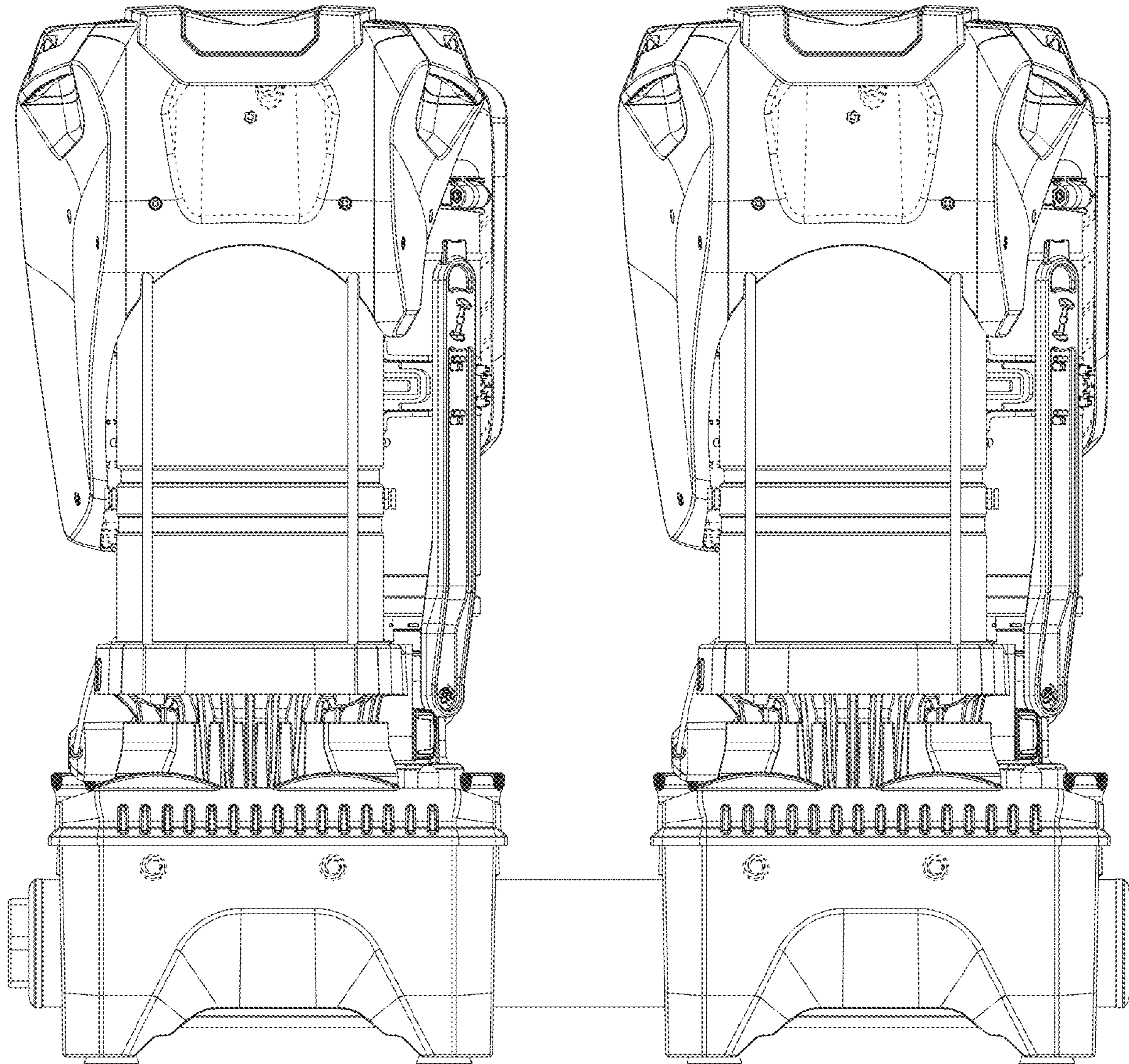


FIG. 10

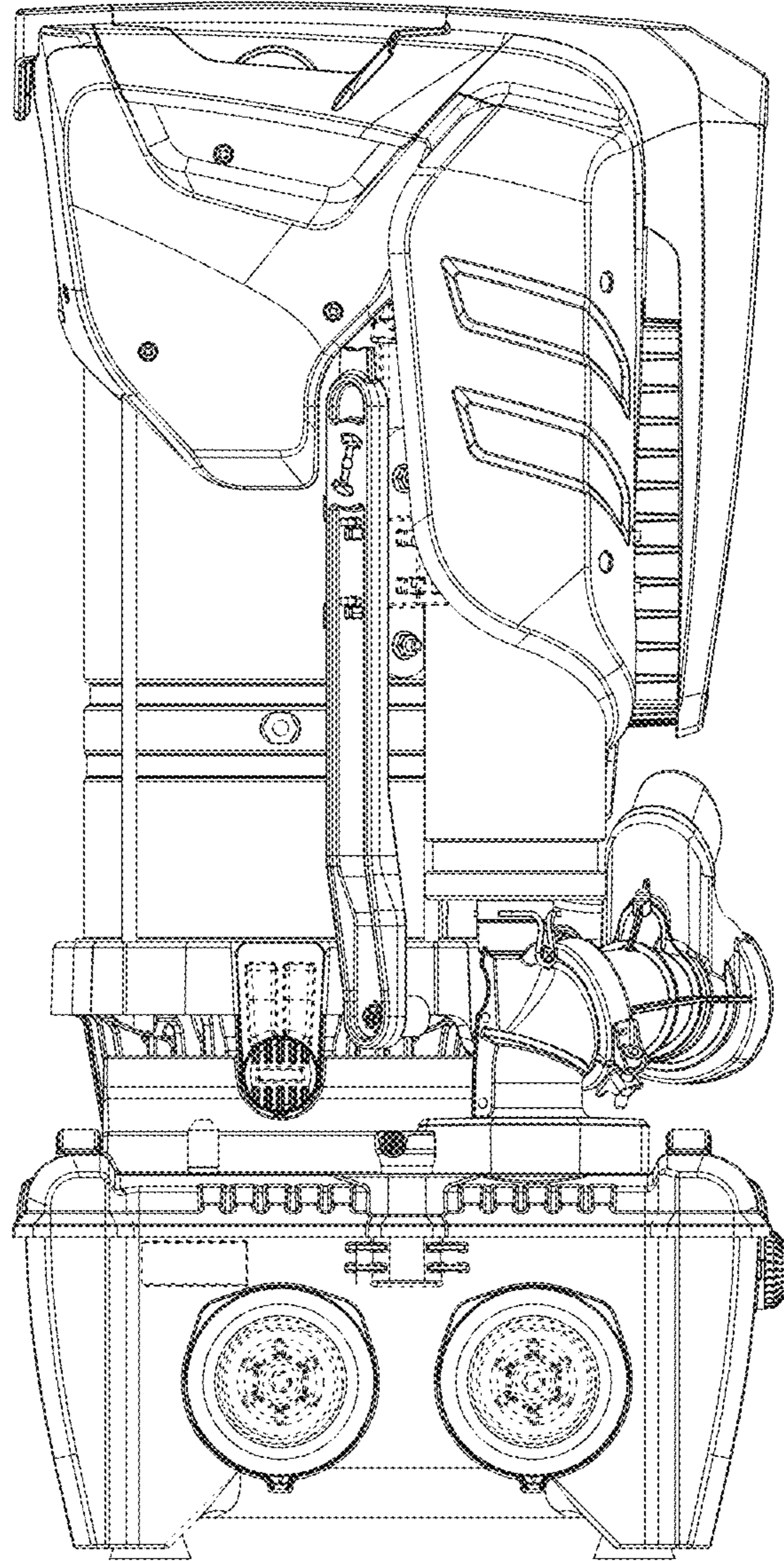


FIG. 11

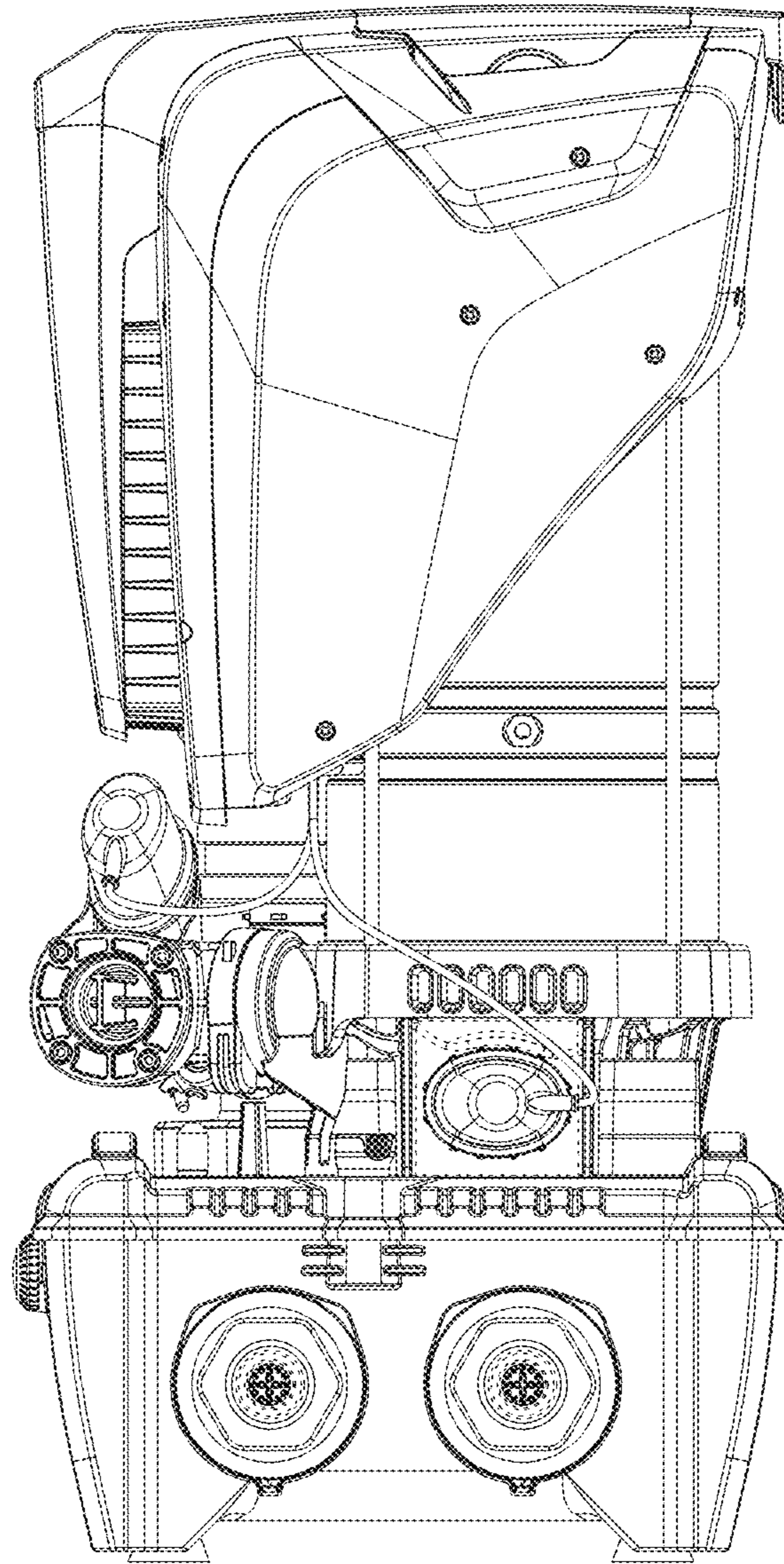


FIG. 12

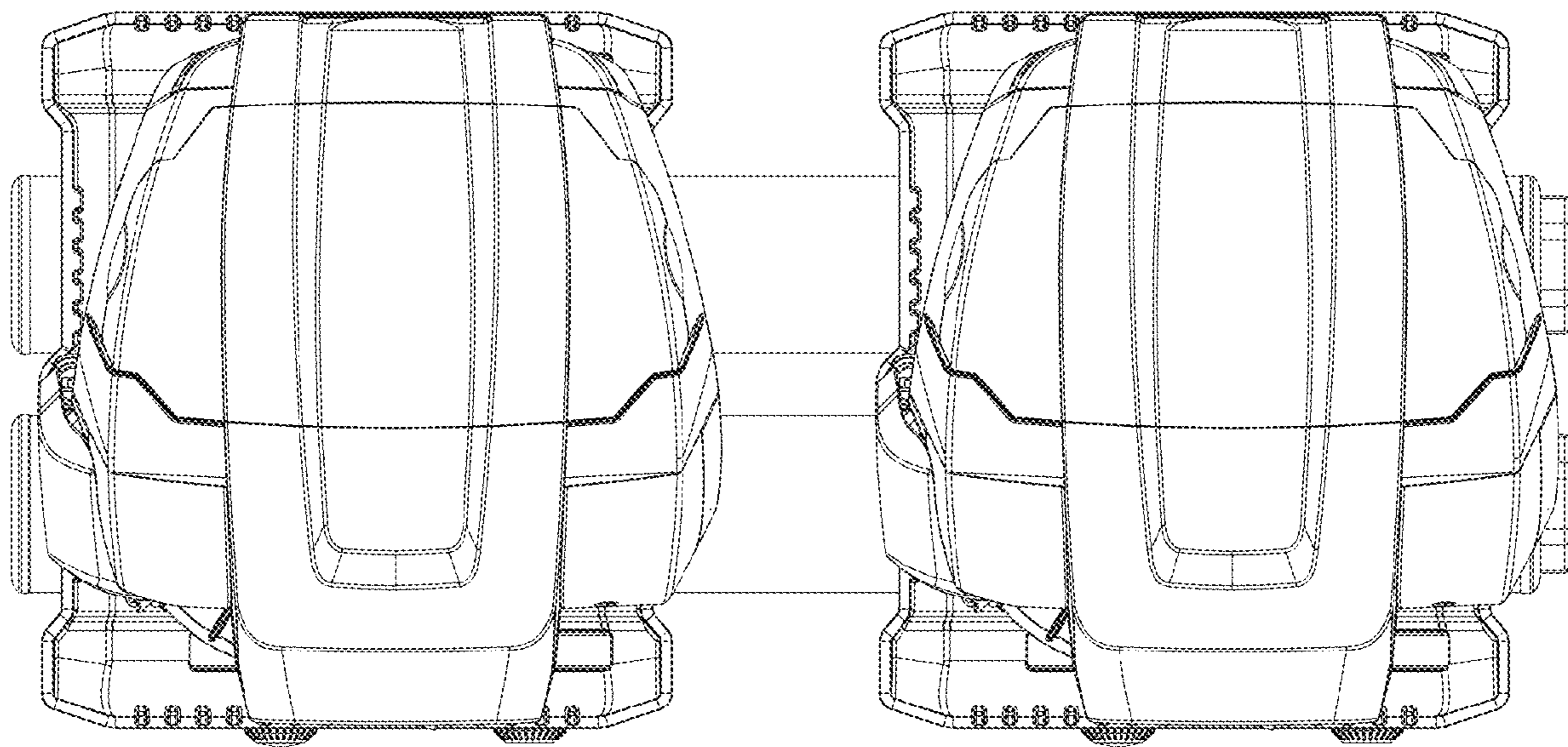


FIG. 13

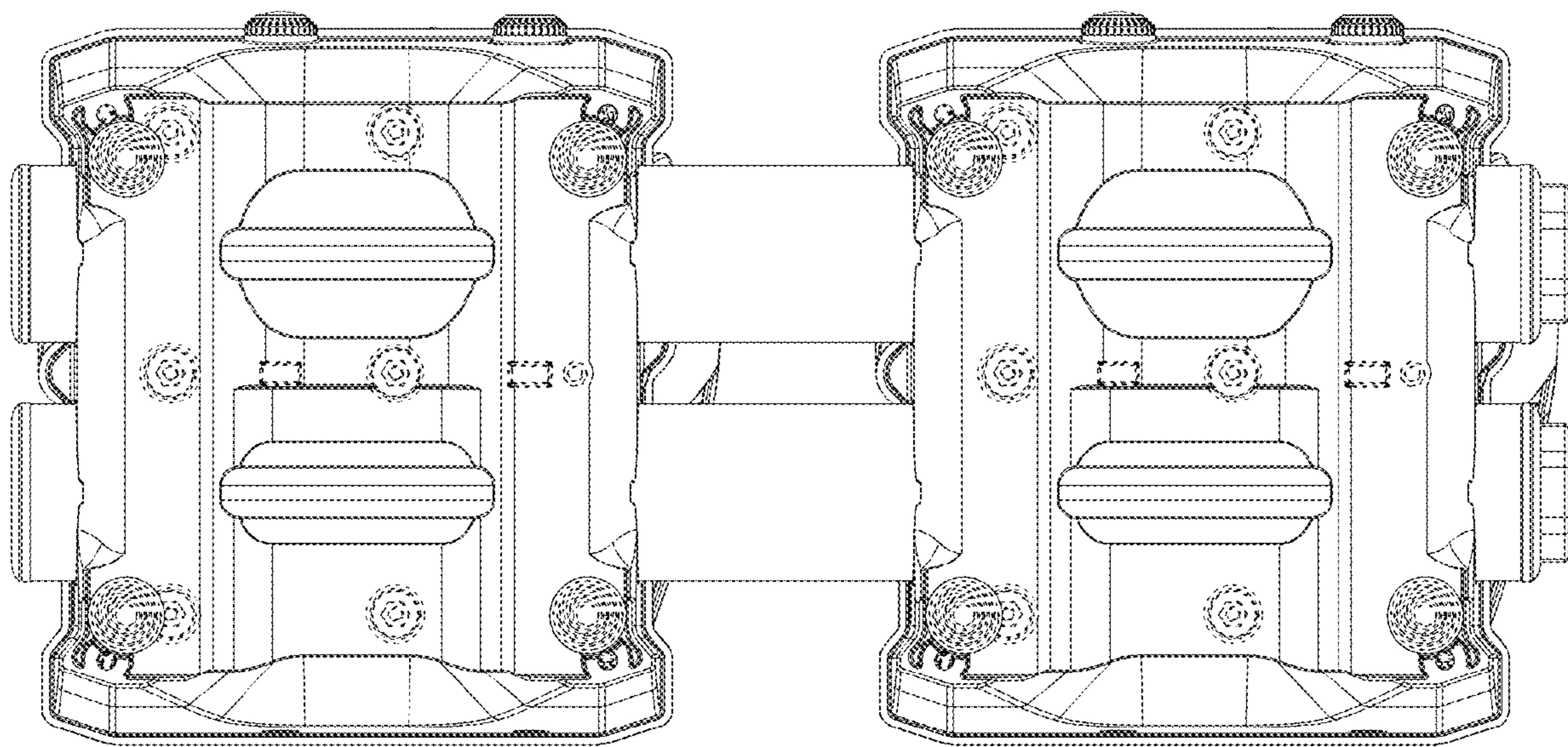


FIG. 14

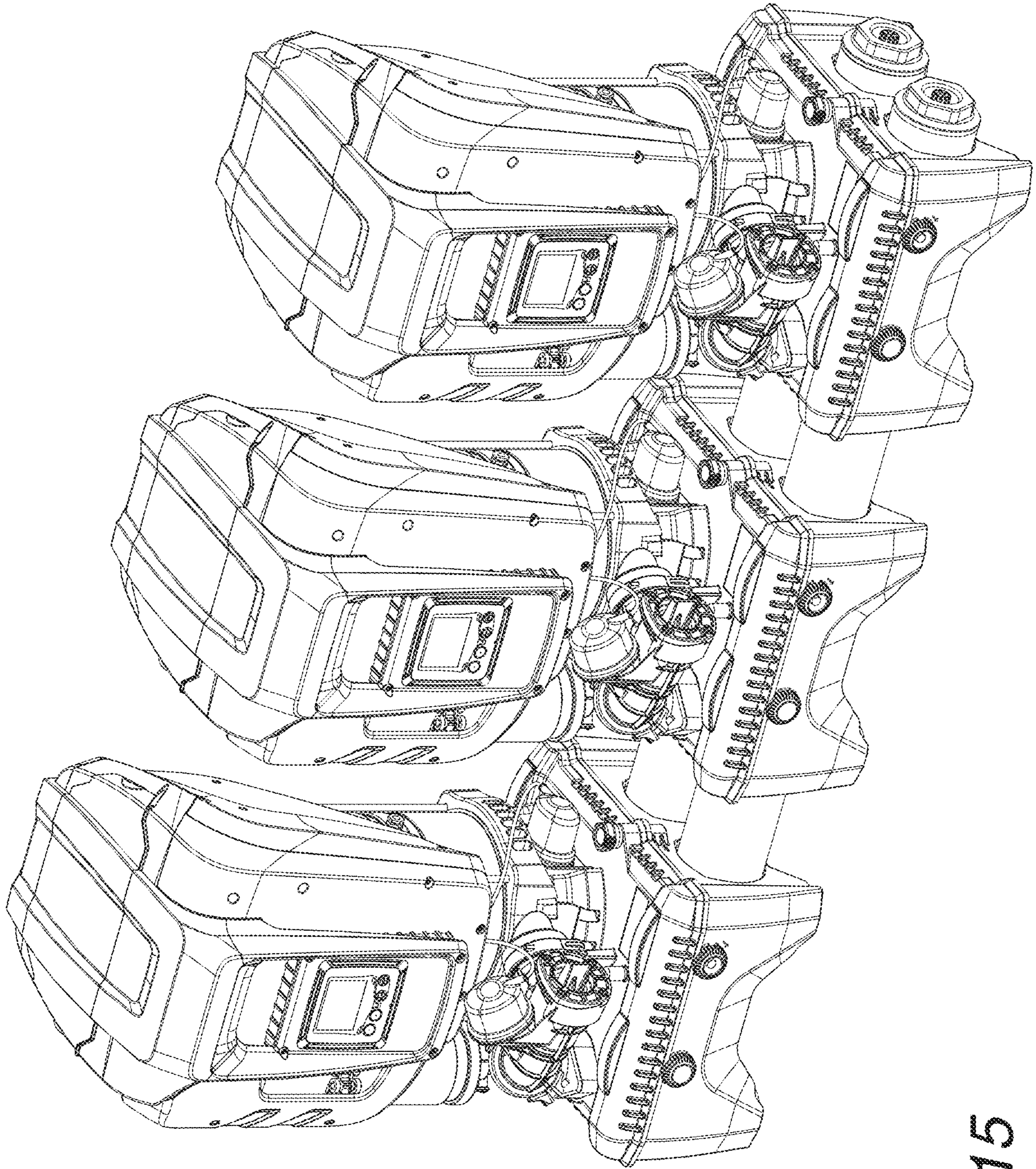


FIG. 15

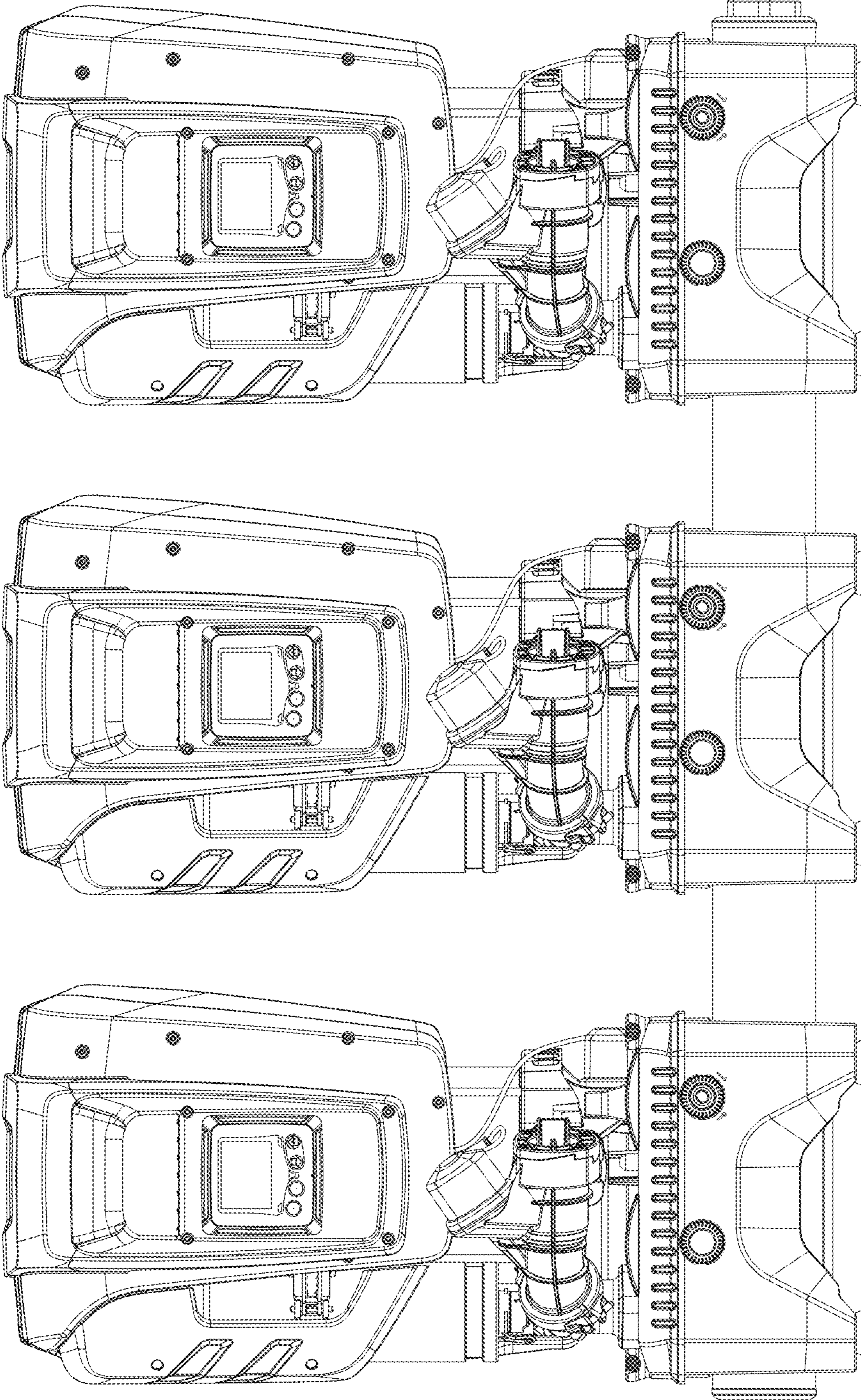


FIG. 16

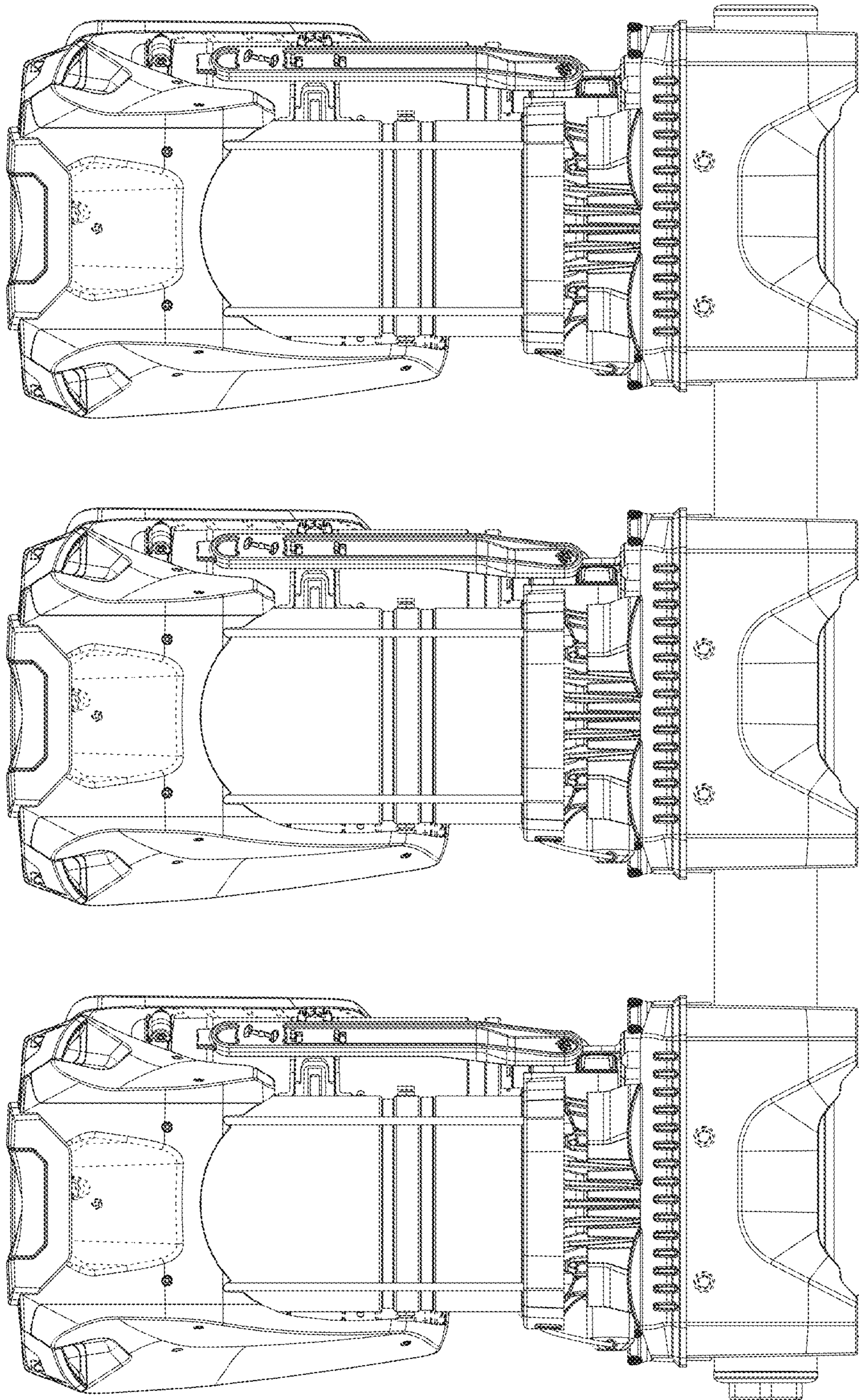


FIG. 17

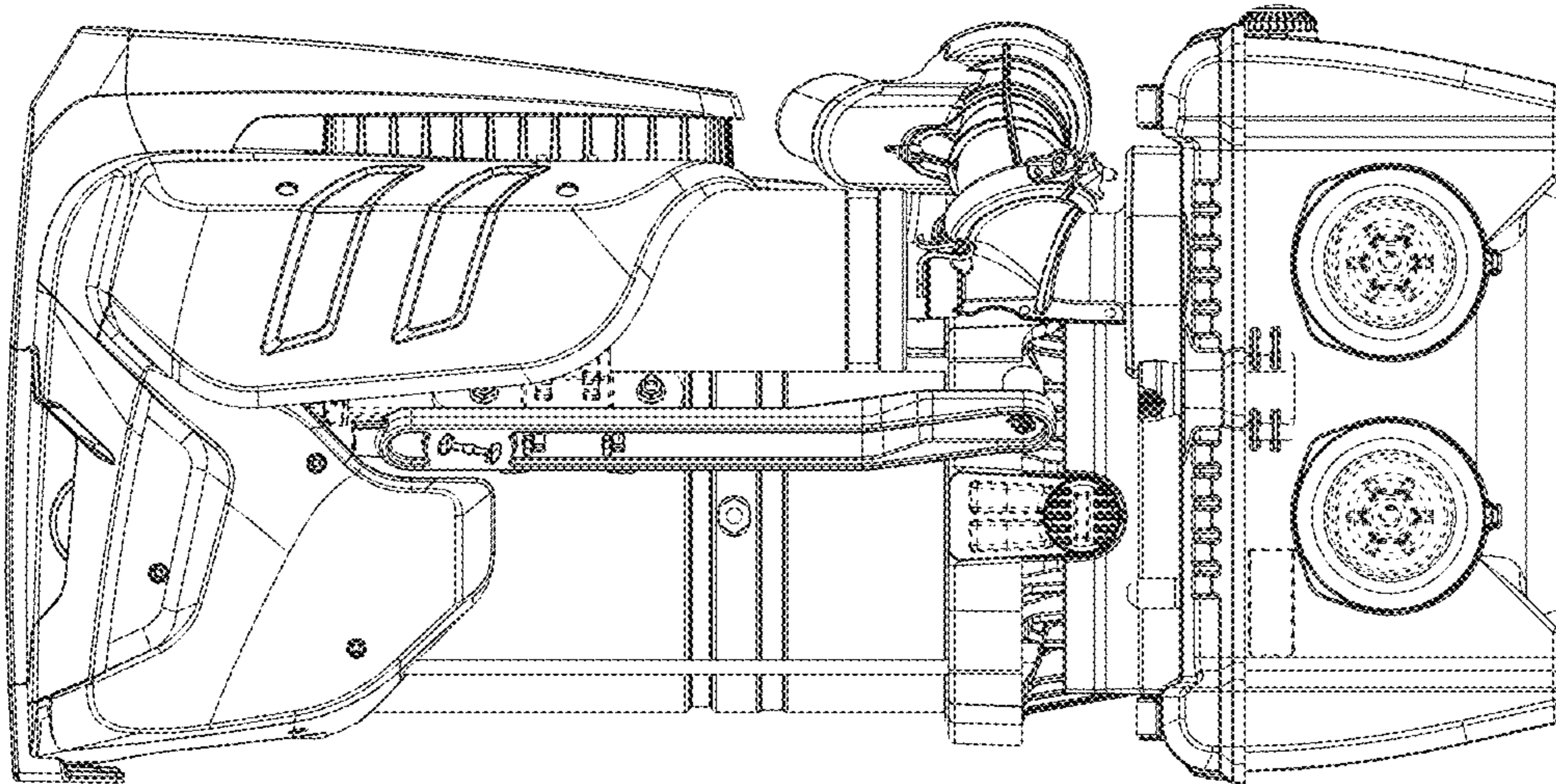


FIG. 18

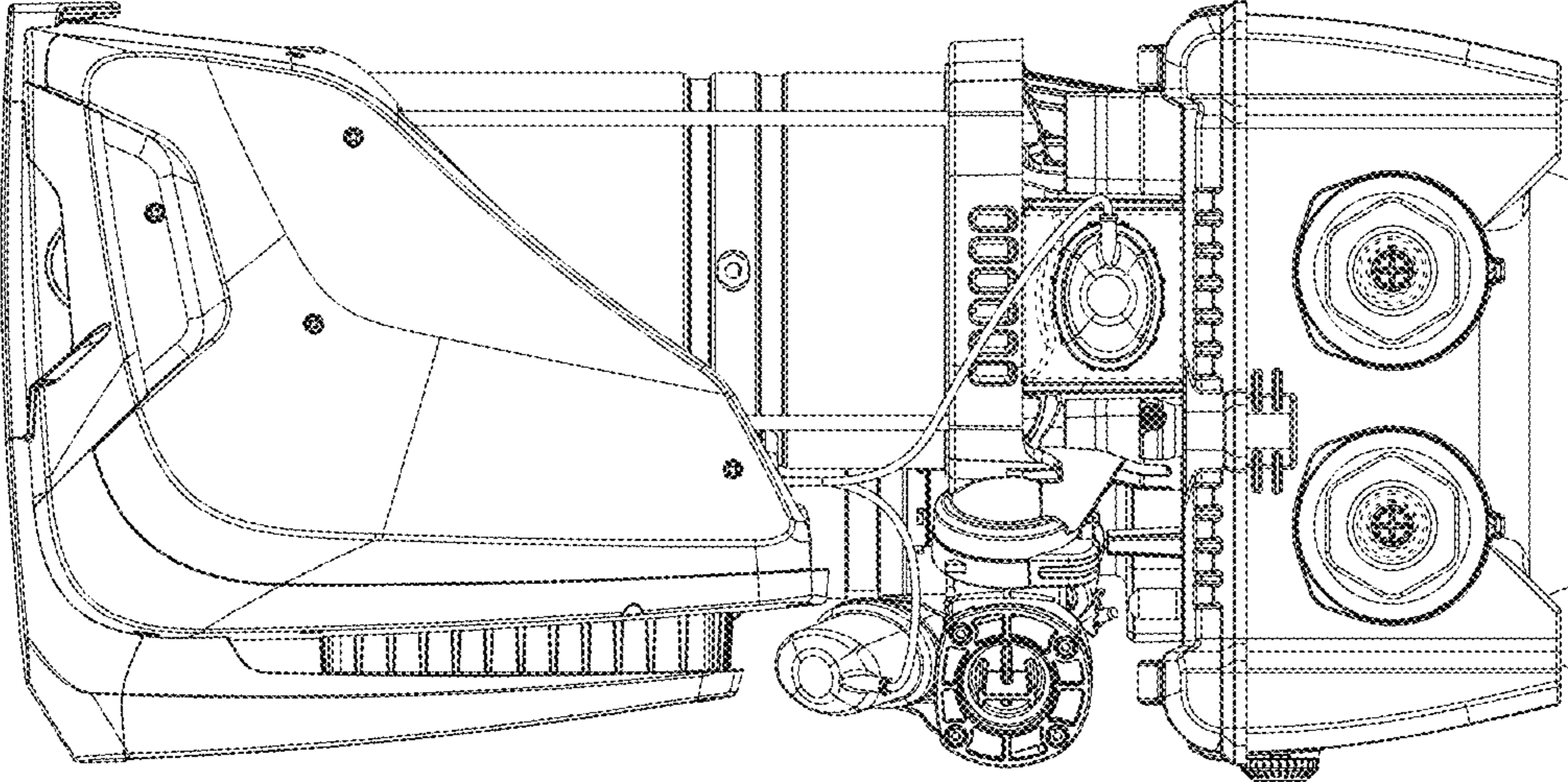


FIG. 19

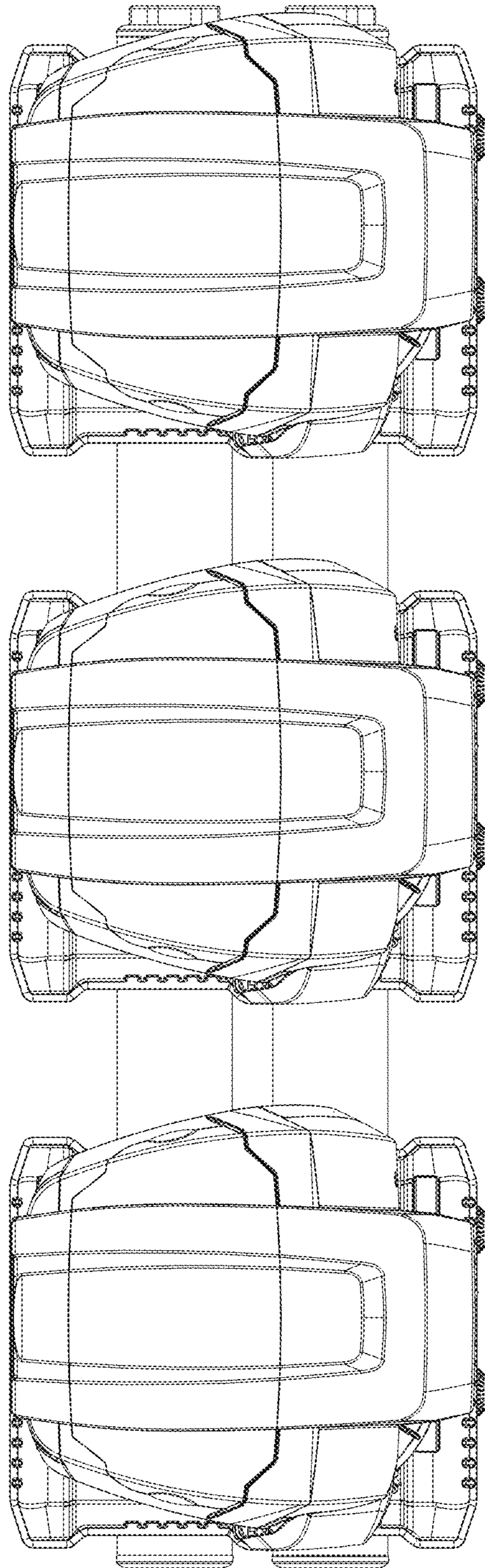


FIG. 20

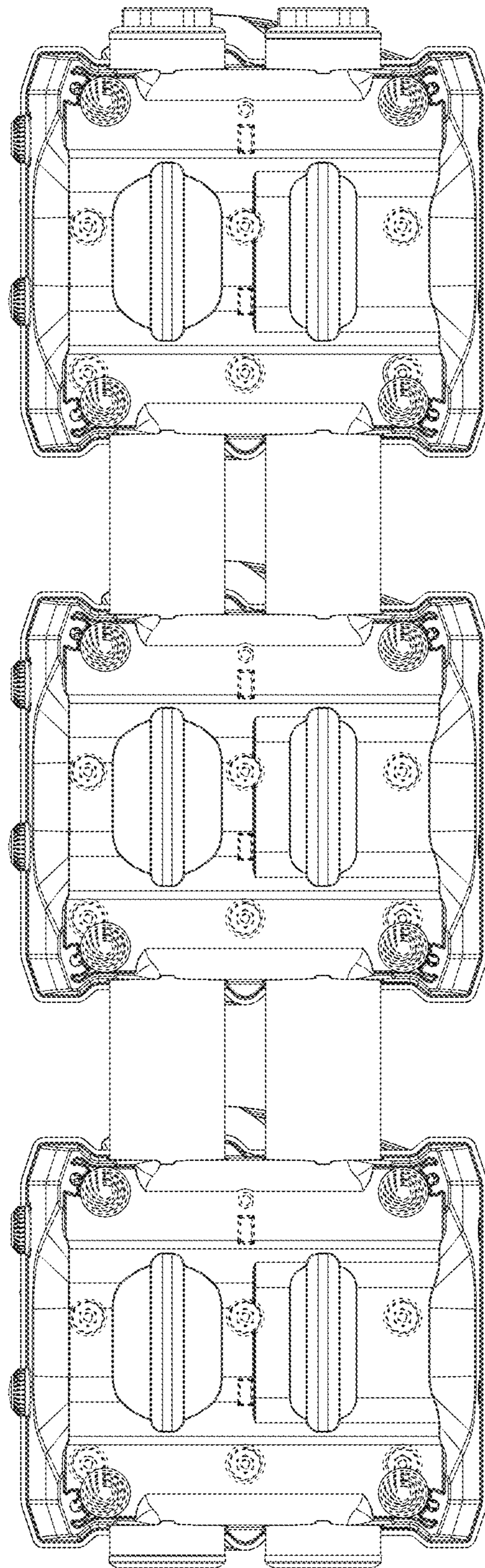


FIG. 21