



US00D976284S

(12) **United States Design Patent** (10) **Patent No.:** **US D976,284 S**  
**Hudnall et al.** (45) **Date of Patent:** **\*\* Jan. 24, 2023**

(54) **TIMING COVER**

FOREIGN PATENT DOCUMENTS

(71) Applicant: **Holley Performance Products, Inc.**,  
Bowling Green, KY (US)

AU 201811295 3/2018  
AU 201812792 6/2018

(Continued)

(72) Inventors: **Coy Hudnall**, Bowling Green, KY  
(US); **Kevin Tracy**, Port Charlotte, FL  
(US)

OTHER PUBLICATIONS

Holley 2017 New & Hot Products, 2016.

(73) Assignee: **Holley Performance Products, Inc.**,  
Bowling Green, KY (US)

*Primary Examiner* — Ania Aman

(74) *Attorney, Agent, or Firm* — Middleton Reutlinger

(\*\*) Term: **15 Years**

(21) Appl. No.: **29/747,343**

(57) **CLAIM**

(22) Filed: **Aug. 21, 2020**

The ornamental design for a timing cover, as shown and described.

(51) **LOC (14) Cl.** ..... **15-01**

(52) **U.S. Cl.**

USPC ..... **D15/5**

(58) **Field of Classification Search**

USPC ..... D15/1, 2, 3, 4, 5, 6; D13/184

CPC ..... F02F 7/0073; F02F 2007/0075; F02F  
2007/0078

See application file for complete search history.

**DESCRIPTION**

FIG. 1 is an upper front perspective view of a timing cover showing our new design;

FIG. 2 is a lower rear perspective view of the timing cover design of FIG. 1;

FIG. 3 is a front view of the timing cover design of FIG. 1;

FIG. 4 is a rear view of the timing cover design of FIG. 1;

FIG. 5 is a first side view of the timing cover design of FIG. 1;

FIG. 6 is a second side view of the timing cover design of FIG. 1;

FIG. 7 is a top view of the timing cover design of FIG. 1; and,

FIG. 8 is a bottom view of the timing cover design of FIG. 1.

The broken lines shown in the drawings are included for the purpose of illustrating the unclaimed boundary and unclaimed portions of the timing cover. The broken lines form no part of the claimed design.

(56) **References Cited**

U.S. PATENT DOCUMENTS

4,508,072 A \* 4/1985 Takami ..... F16J 15/027  
123/195 A

4,950,210 A \* 8/1990 Kawauchi ..... F02F 7/0065  
474/144

D779,560 S \* 2/2017 Fox ..... D15/5

D779,561 S \* 2/2017 Fox ..... D15/5

D808,439 S \* 1/2018 Hudnall ..... D15/7

D819,083 S \* 5/2018 Fisher ..... D15/5

D900,873 S 11/2020 Hudnall

D901,539 S 11/2020 Hudnall

D902,256 S 11/2020 Hudnall

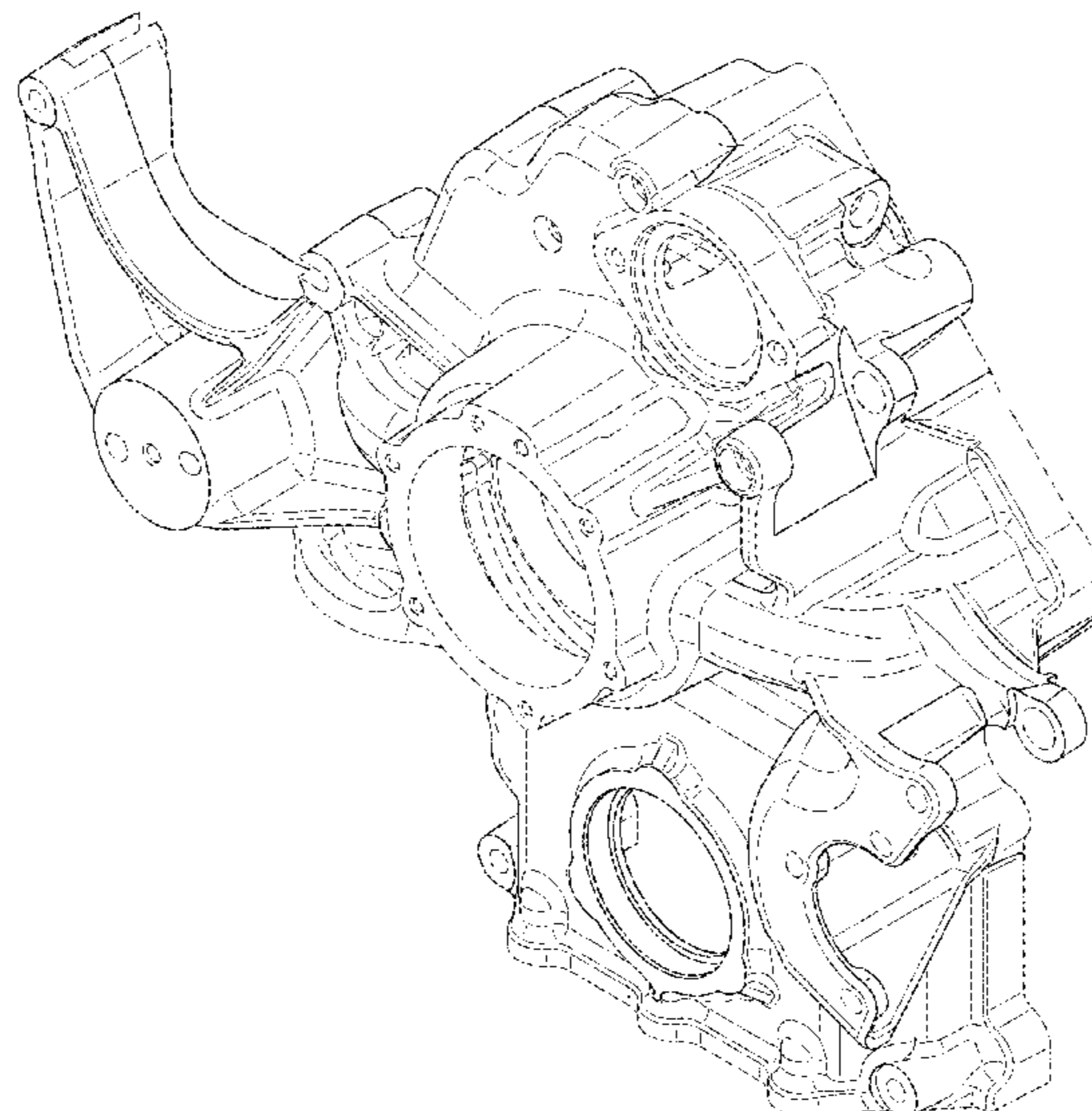
D908,735 S 1/2021 Hudnall

D911,390 S 2/2021 Hudnall

D916,136 S 4/2021 Hudnall

(Continued)

**1 Claim, 8 Drawing Sheets**



(56)

**References Cited**

U.S. PATENT DOCUMENTS

2006/0150942 A1\* 7/2006 Shin ..... F02F 7/008  
123/195 C  
2015/0322942 A1\* 11/2015 Liu ..... F01M 1/02  
418/61.1  
2017/0082011 A1\* 3/2017 Huckey ..... B60K 25/02  
2017/0292601 A1\* 10/2017 Lee ..... F16H 57/035  
2020/0256280 A1\* 8/2020 Huff ..... F16J 15/3276

FOREIGN PATENT DOCUMENTS

AU 201910218 3/2019  
AU 201910224 3/2019  
AU 201910225 3/2019  
AU 201911575 4/2019  
AU 201911576 4/2019  
AU 201911578 4/2019  
AU 202010280 3/2020  
AU 202010291 3/2020

\* cited by examiner

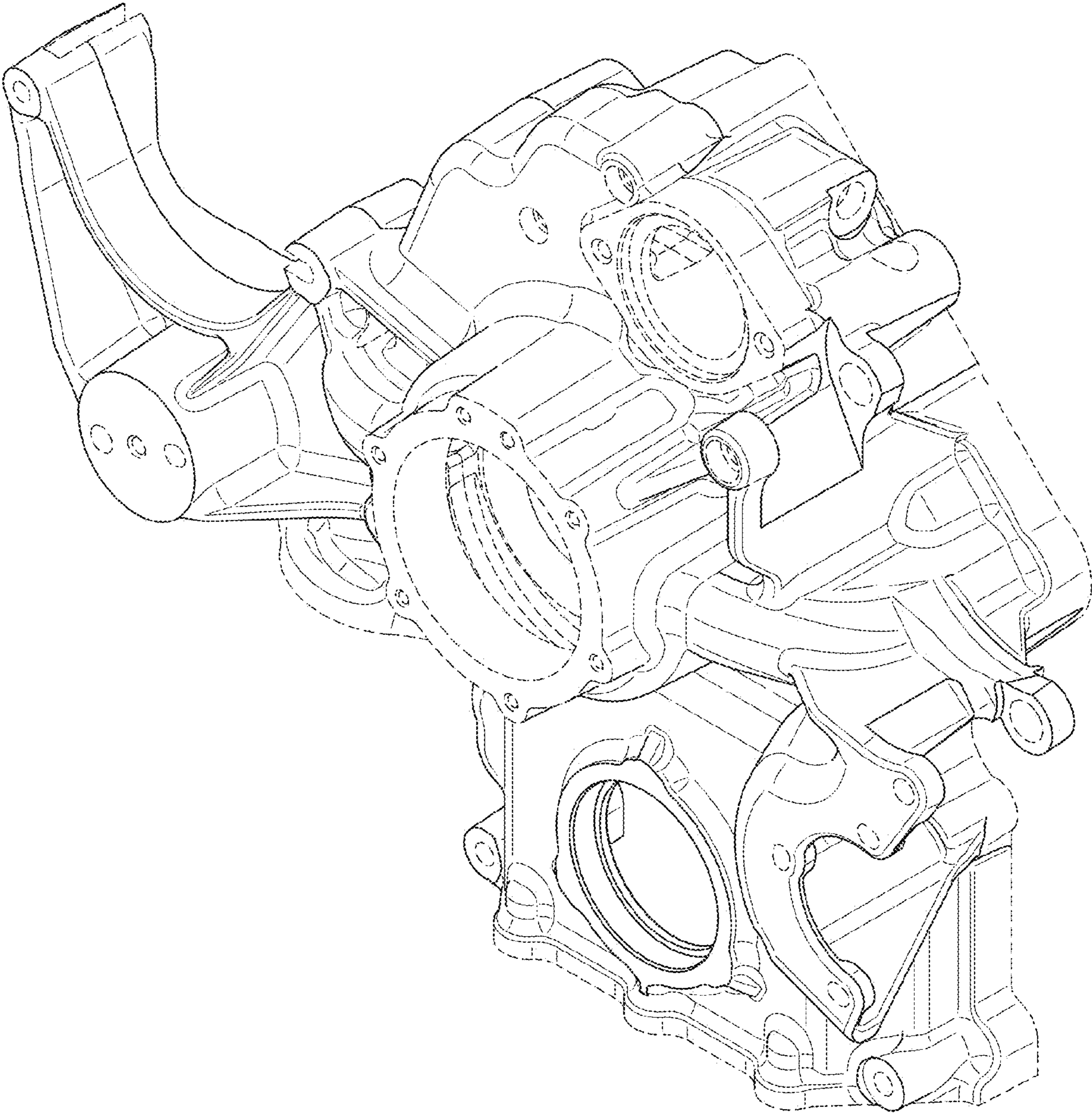


FIG. 1



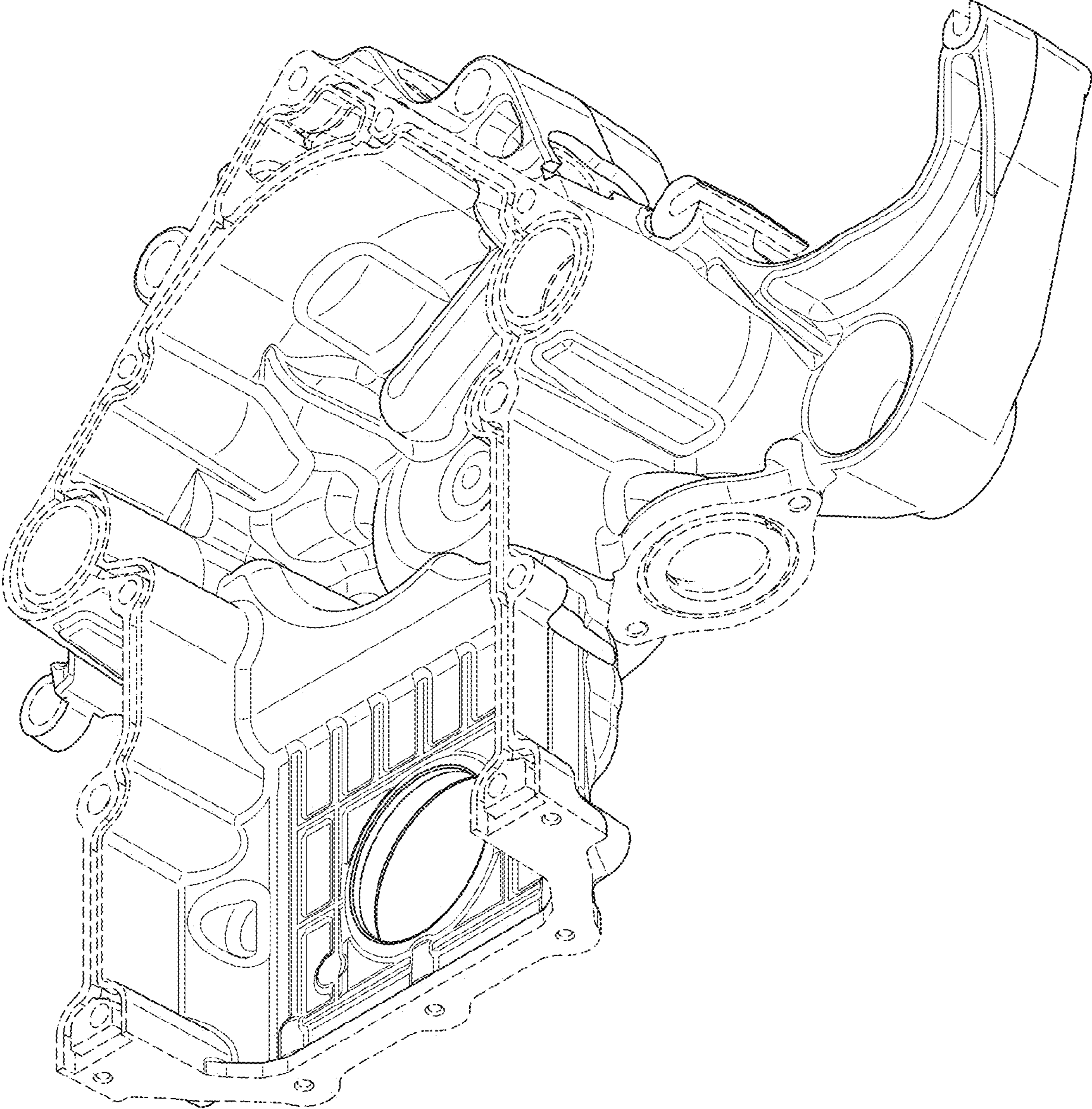


FIG. 2

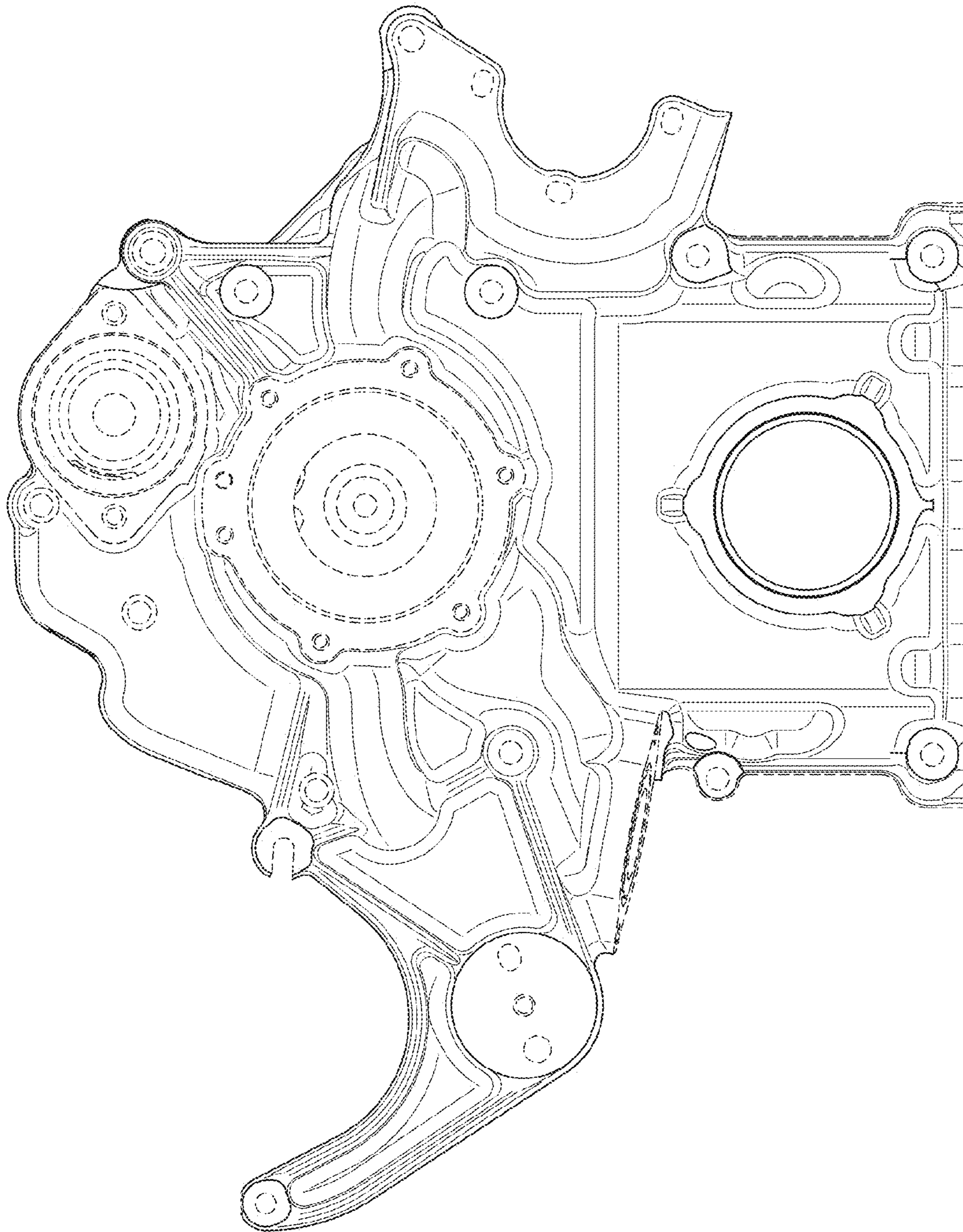


FIG. 3



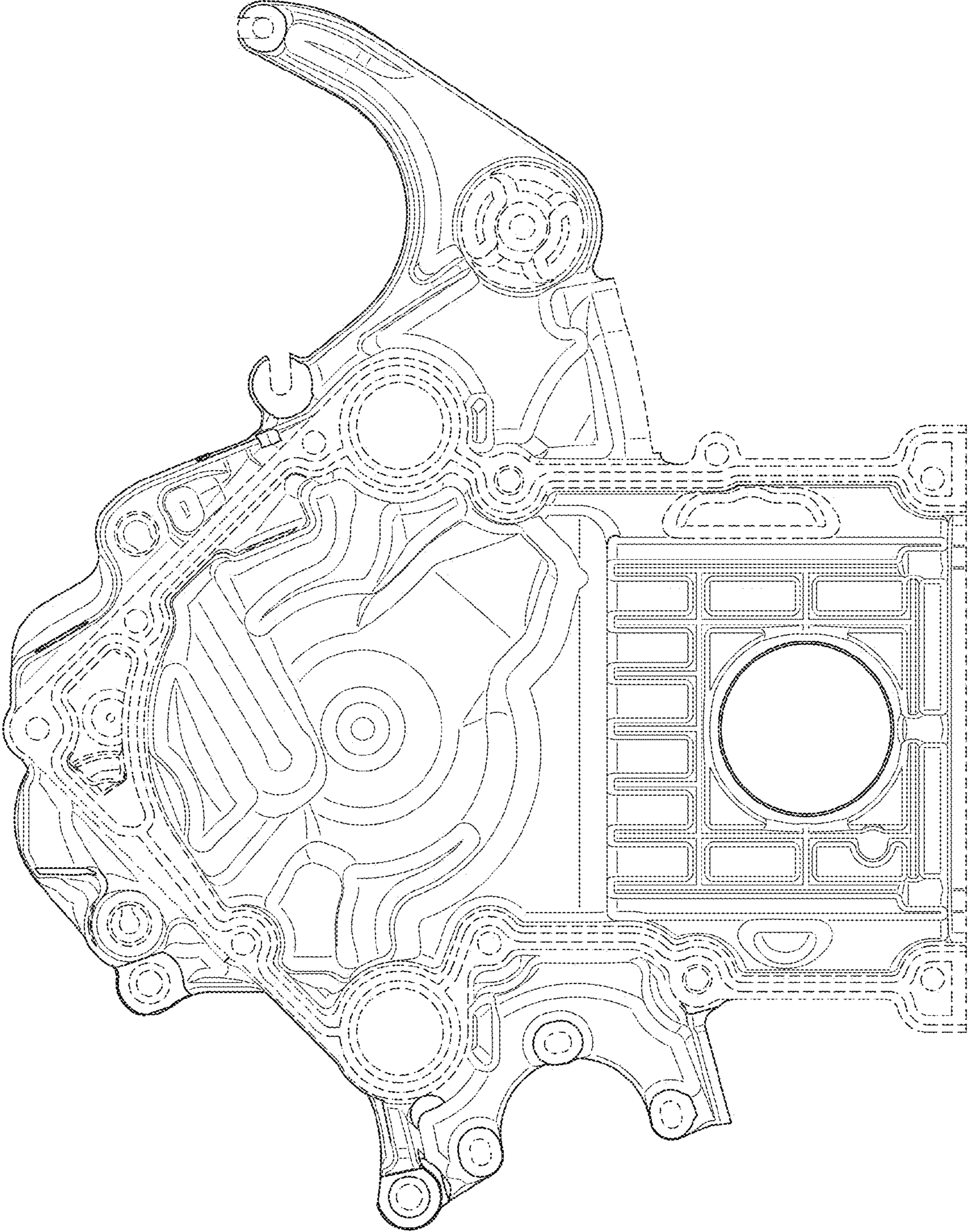


FIG. 4

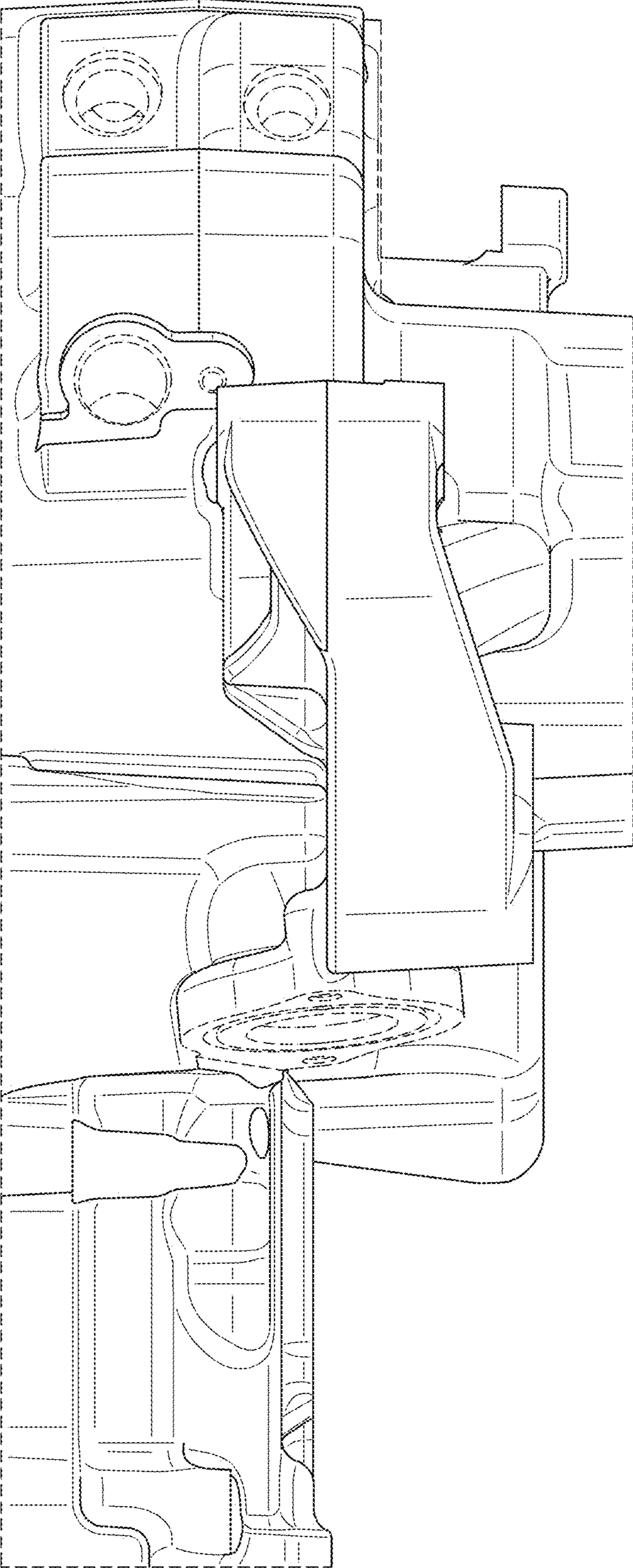


FIG. 5

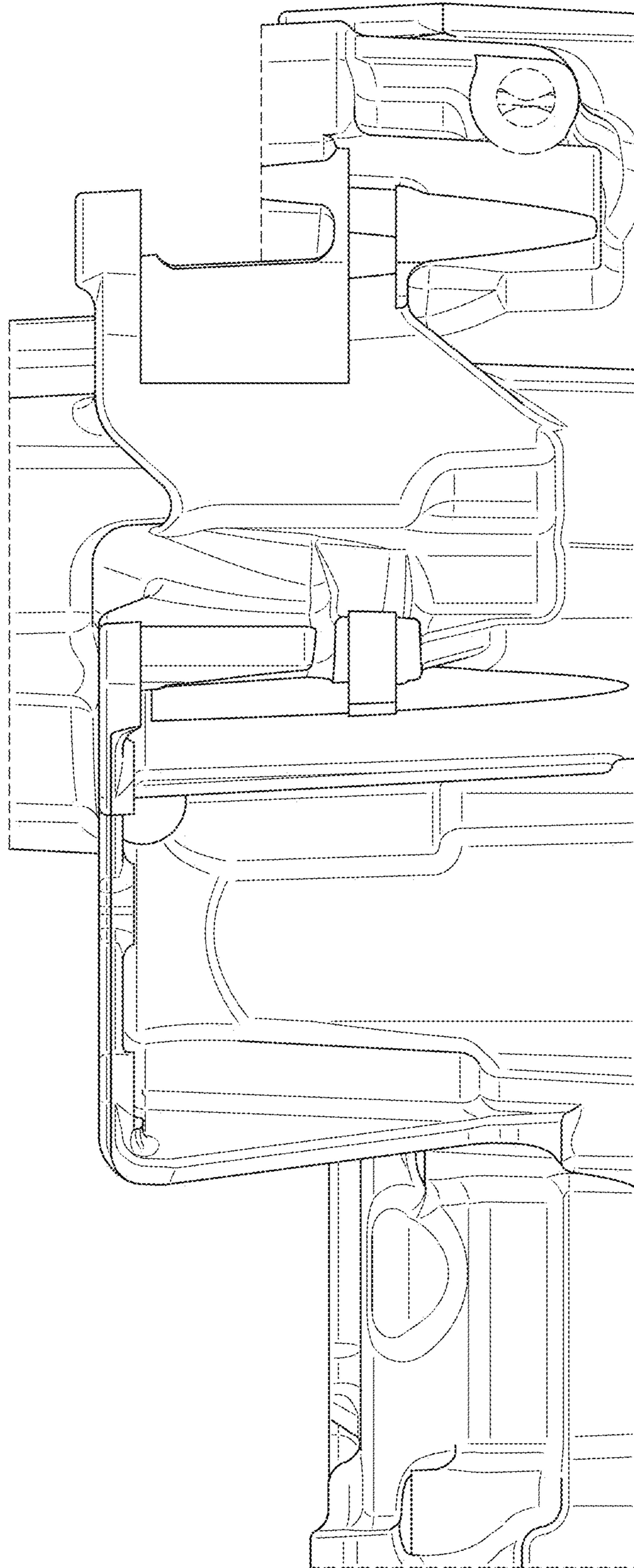


FIG. 6



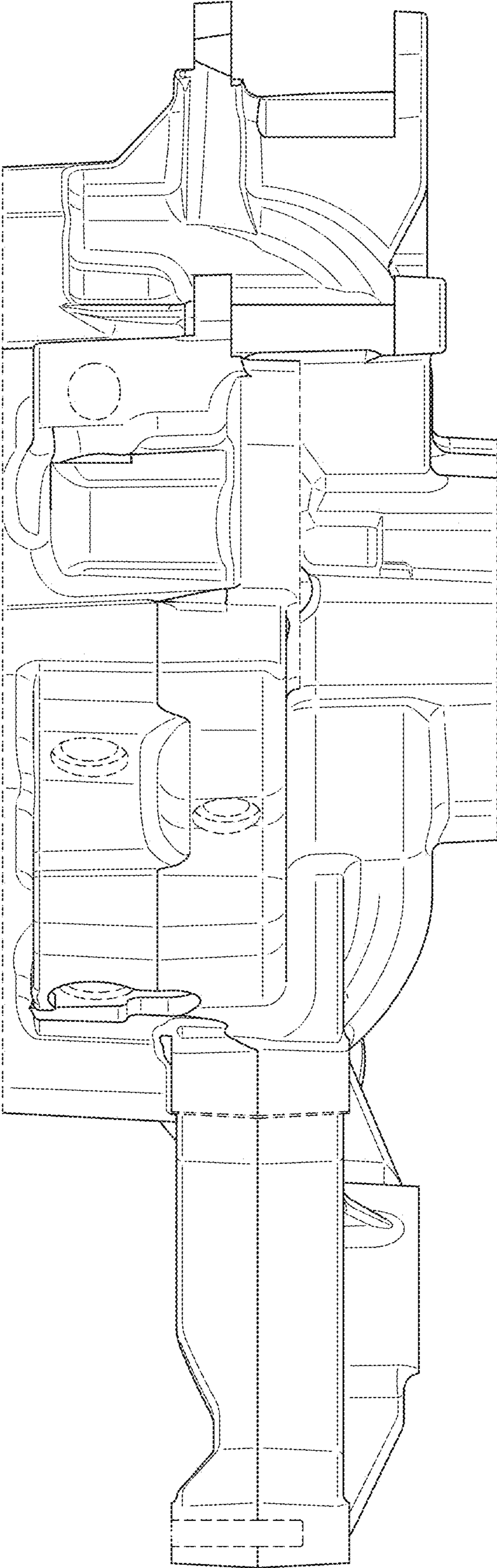


FIG. 7

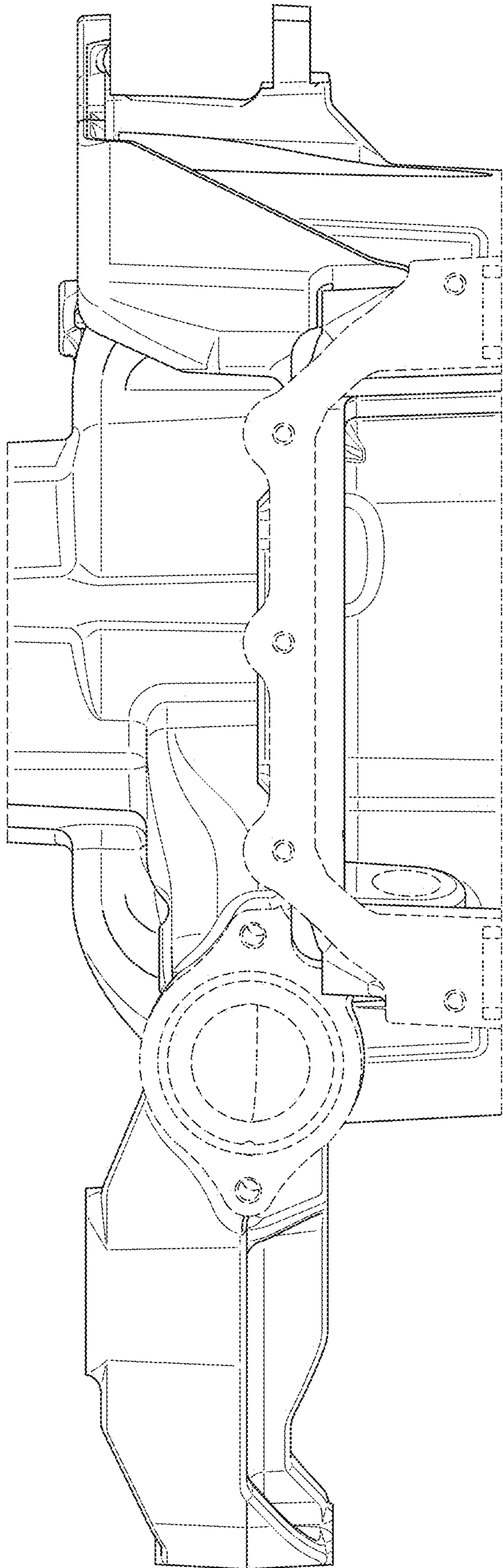


FIG. 8