



US00D976272S

(12) **United States Design Patent**
Lim et al.

(10) **Patent No.:** **US D976,272 S**
(45) **Date of Patent:** **** Jan. 24, 2023**

(54) **DISPLAY SCREEN OR PORTION THEREOF WITH TRANSITIONAL GRAPHICAL USER INTERFACE**

(71) Applicant: **Samsung Electronics Co., Ltd.**, Suwon-si (KR)

(72) Inventors: **Eunsil Lim**, Suwon-si (KR); **Yeonjoo Jwa**, Suwon-si (KR); **Dasom Kim**, Suwon-si (KR)

(73) Assignee: **SAMSUNG ELECTRONICS CO., LTD.**, Suwon-si (KR)

(**) Term: **15 Years**

(21) Appl. No.: **29/798,951**

(22) Filed: **Jul. 12, 2021**

(30) **Foreign Application Priority Data**

Jan. 13, 2021 (KR) 30-2021-0001861

(51) **LOC (14) Cl.** **14-04**

(52) **U.S. Cl.**
USPC **D14/485**

(58) **Field of Classification Search**
USPC D14/485-488

(Continued)

(56) **References Cited**

U.S. PATENT DOCUMENTS

6,144,991 A * 11/2000 England H04L 67/142
709/219
D648,735 S * 11/2011 Arnold G06F 3/0486
D14/486

(Continued)

FOREIGN PATENT DOCUMENTS

CN 305775084 * 5/2020
CN 305981376 * 8/2020

(Continued)

OTHER PUBLICATIONS

Artem Tkachenko, Android App Development For Foldable Phones, Publication Date Nov. 13, 2019, Retrieved Date Sep. 15, 2022, Retrieved from Internet, <<https://mobidev.biz/blog/how-to-develop-apps-for-foldable-dual-screen-smartphones>> (Year: 2019).*

(Continued)

Primary Examiner — Rachel A. Voorhies

Assistant Examiner — Ana M. Vine

(74) *Attorney, Agent, or Firm* — McAndrews Held & Malloy, Ltd.

(57) **CLAIM**

The ornamental design for a display screen or portion thereof with transitional graphical user interface, as shown and described.

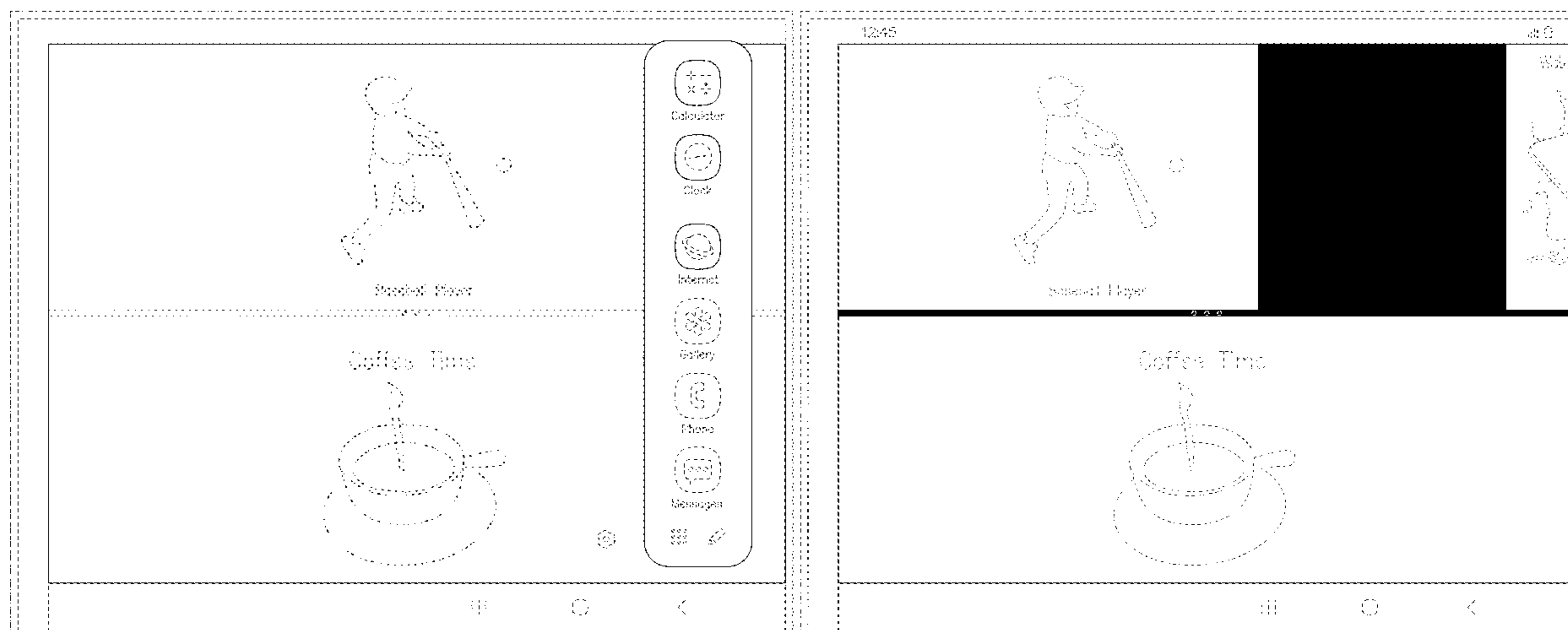
DESCRIPTION

FIG. 1 is a front view of the first image in a sequence for a display screen or portion thereof with transitional graphical user interface showing our new design; FIG. 2 is the second image thereof; FIG. 3 is the third image thereof; FIG. 4 is the fourth image thereof; and, FIG. 5 is the fifth image thereof.

The outer perimeter shown in broken lines in the figures illustrates a display screen or portion thereof and forms no part of the claimed design. The remaining broken lines in the figures, including the gray broken lines, illustrate portions of the graphical user interface that form no part of the claimed design.

The appearance of the transitional image sequentially transitions between the images shown in FIGS. 1-5. The process or period in which one image transitions to another image forms no part of the claimed design.

1 Claim, 5 Drawing Sheets



(58) **Field of Classification Search**

CPC G06F 3/048; G06F 3/0481; G06F 3/04817;
 G06F 3/0482; G06F 3/04842; G06F
 3/0485; G06F 3/04855; G06F 3/0486;
 G06F 3/0488; G06F 3/04886; G06F
 3/165; G06F 16/168; G06F 2203/014;
 G06F 2206/1008; G06F 2209/545; G06F
 30/12; G06F 9/451; G06F 40/106; H04M
 1/2477; H04M 1/724-72484

See application file for complete search history.

FOREIGN PATENT DOCUMENTS

CN	306249078	* 12/2020
CN	306249079	* 12/2020
CN	306249081	* 12/2020
CN	306249087	* 12/2020
CN	306249147	* 12/2020
WO	WOD203341-001	* 10/2019
WO	WOD203341-023	* 10/2019
WO	WOD203341-032	* 10/2019
WO	WOD204787-001	* 12/2019
WO	WOD204787-002	* 12/2019
WO	WOD204787-003	* 12/2019
WO	WOD204787-004	* 12/2019
WO	WOD204787-006	* 12/2019
WO	WOD204787-007	* 12/2019
WO	WOD204787-008	* 12/2019
WO	WOD204787-009	* 12/2019
WO	WOD204787-010	* 12/2019
WO	WOD204787-011	* 12/2019
WO	WOD204787-012	* 12/2019
WO	WOD204787-013	* 12/2019
WO	WOD204787-014	* 12/2019
WO	WOD204787-015	* 12/2019
WO	WOD204787-016	* 12/2019
WO	WOD204787-017	* 12/2019
WO	WOD204787-018	* 12/2019
WO	WOD204787-019	* 12/2019
WO	WOD204787-020	* 12/2019
WO	WOD204787-021	* 12/2019
WO	WOD204787-022	* 12/2019
WO	WOD204787-023	* 12/2019
WO	WOD204787-024	* 12/2019
WO	WOD204787-025	* 12/2019
WO	WOD204787-026	* 12/2019
WO	WOD204787-027	* 12/2019
WO	WOD204787-028	* 12/2019

(56) **References Cited**

U.S. PATENT DOCUMENTS

D694,775	S	*	12/2013	Gardner	G06F 3/04883
						D14/486
D717,817	S	*	11/2014	Yu	H04N 19/134
						D14/486
D750,643	S	*	3/2016	Seo	G05D 1/0038
						D14/485
D753,142	S	*	4/2016	Hwang	D14/485
D757,753	S	*	5/2016	Jung	D14/485
D765,700	S	*	9/2016	Federighi	D14/486
D765,704	S	*	9/2016	Song	D14/486
D786,904	S	*	5/2017	Sakuma	D14/486
D823,338	S	*	7/2018	Alonso Ruiz	D14/488
D836,663	S	*	12/2018	Chung	D14/488
D857,738	S	*	8/2019	Jou	D14/488
D859,457	S	*	9/2019	Varghese	D14/487
D882,618	S	*	4/2020	Zhao	D14/488
D883,305	S	*	5/2020	Chae	D14/485
D895,664	S	*	9/2020	Baber	D14/488
D903,692	S	*	12/2020	Kang	D14/488
D906,364	S	*	12/2020	Park	D14/488
D910,036	S	*	2/2021	Kim	G04G 13/026
						D14/485
D910,038	S	*	2/2021	Kim	D14/485
D910,060	S	*	2/2021	Kim	D14/487
D910,698	S	*	2/2021	Alonso Ruiz	D14/488
D915,442	S	*	4/2021	Kim	G06F 16/11
						D14/486
D916,102	S	*	4/2021	Kim	H04M 1/72469
						D14/485
2008/0086241	A1	*	4/2008	Phillips	G05D 1/0038
						701/2
2011/0047155	A1	*	2/2011	Sohn	H04N 19/134
						707/E17.014
2014/0164991	A1	*	6/2014	Kim	G06F 3/0486
						715/788
2014/0380464	A1	*	12/2014	Lee	G06F 3/04883
						726/19
2015/0268838	A1	*	9/2015	Wang	H04M 1/72469
						715/763
2015/0378592	A1	*	12/2015	Kim	G06F 3/0487
						715/765
2016/0217551	A1	*	7/2016	Kim	G09G 5/005
2017/0374186	A1	*	12/2017	Velusamy	G06F 16/11
2018/0039408	A1	*	2/2018	Cheong	G06F 3/0481
2018/0136612	A1	*	5/2018	Zayets-Volshin	G04G 13/026
2020/0027425	A1	*	1/2020	Lee	G06F 3/04817
2020/0320906	A1	*	10/2020	Knarr	G06F 3/0488
2020/0333932	A1	*	10/2020	Lee	G06F 1/1652

OTHER PUBLICATIONS

Michal Pisarski, We Designed & Developed an App for the Galaxy Fold in 2 Weeks: What You Need to Know . . . , Publication Date Dec. 6, 2019, Retrieved Date Sep. 15, 2022, Retrieved from Internet, < <https://medium.com/swinginc/why-how-your-app-should-be-optimized-for-foldable-smartphones-5b40ea78bb59> > (Year: 2019).*

George Kasiouras, Samsung Galaxy Fold: The Foldable Tablet That Flirts With a \$2K Price Tag, Publication Date Feb. 25, 2019, Retrieved Date Sep. 15, 2022, Retrieved from Internet, < <https://update.com/news/samsung-galaxy-fold-the-foldable-tablet-that-flirts-with-a-2k-price-tag/> > (Year: 2019).*

Youtube, Galaxy Fold UI Walkthrough: Using Apps, Publication Date Apr. 16, 2019 by Booredatwork.com, Retrieved Date Sep. 15, 2022, Retrieved from Internet, [frames 5:43, 5:58, 7:02, 8:42 / 10:13], < https://www.youtube.com/watch?v=a_nPTmtPwlM > (Year: 2019).*

Youtube, 10 things we learned about the Samsung Fold from testing it out, Publication Date Mar. 15, 2019 by Washington Post, Retrieved Date Sep. 19, 2022, Retrieved from Internet, [frames 1:40, 1:46, 1:50, 4:00 / 5:02 < <https://www.youtube.com/watch?v=7FrN4Bolwc4> > (Year: 2019).*

Kizzie Fearnley, Huawei Mate X folding screen phone review: using innovation . . . , Publication Date Jan. 8, 2020, Retrieved Date Sep. 19, 2022, Retrieved from Internet, < <https://m.gearbest.com/blog/new-gear/huawei-mate-x-folding-screen-phone-review-using-innovation-to-make-technology-soft-10649> > (Year: 2020).*

* cited by examiner

FIG. 1

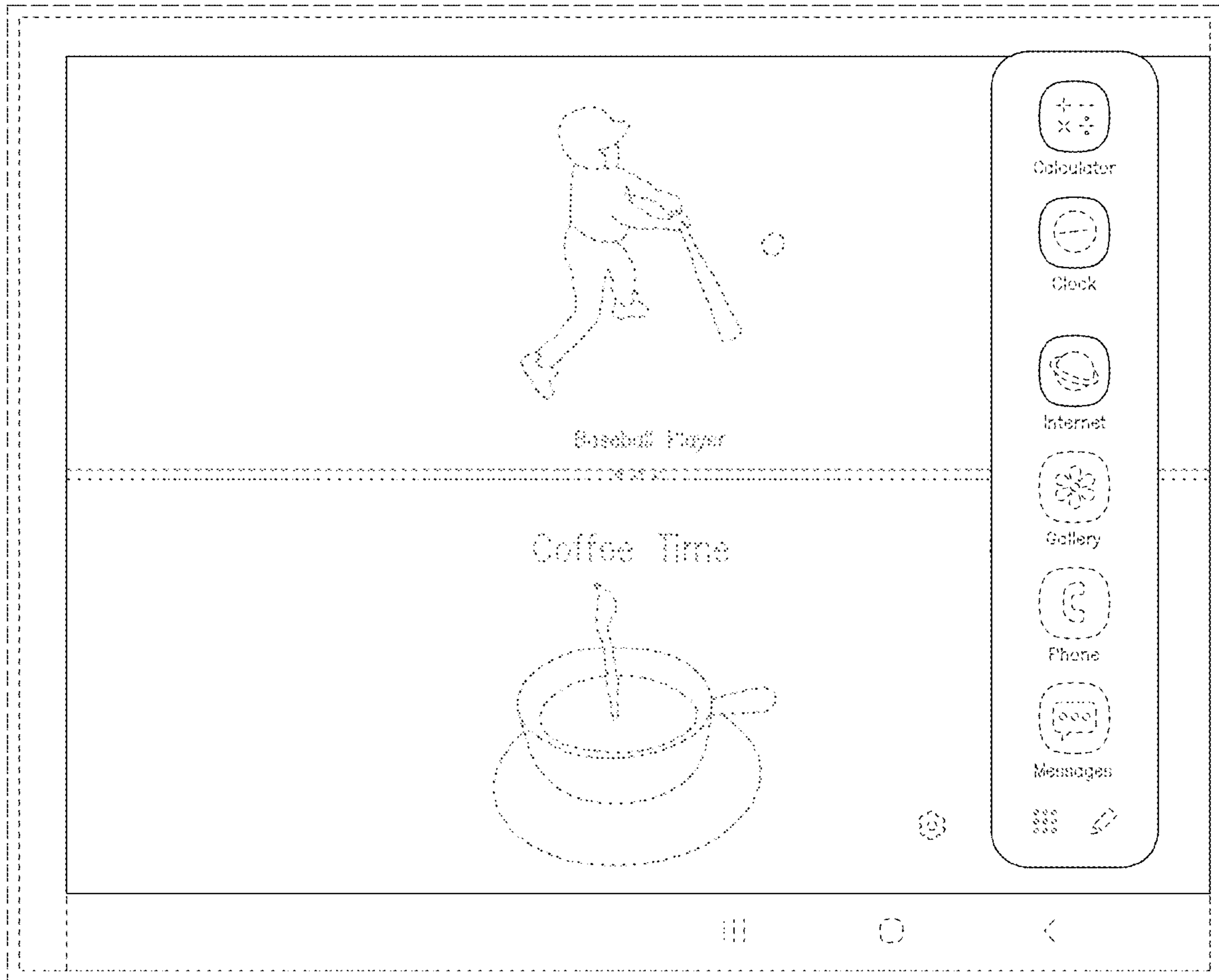


FIG. 2

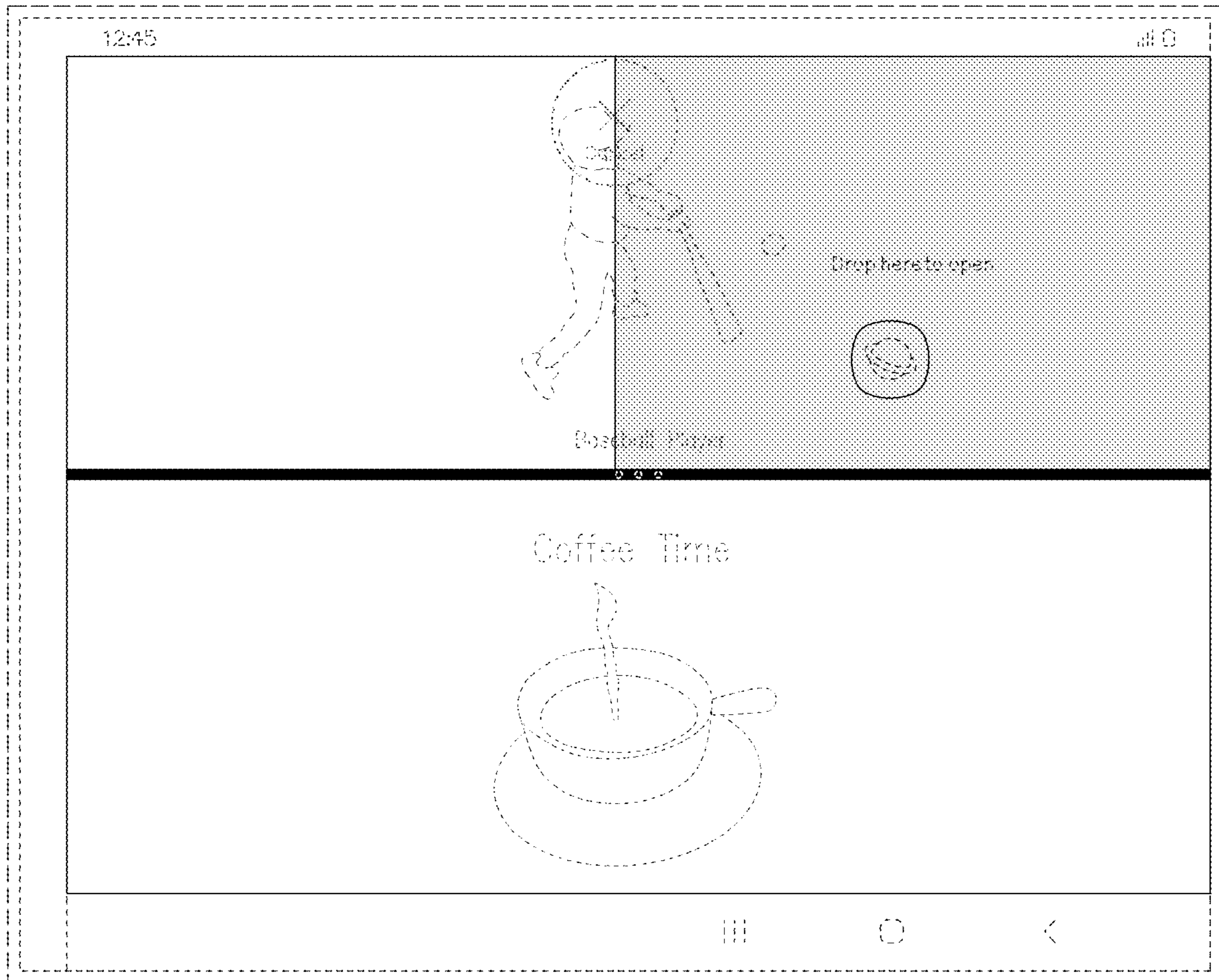


FIG. 3

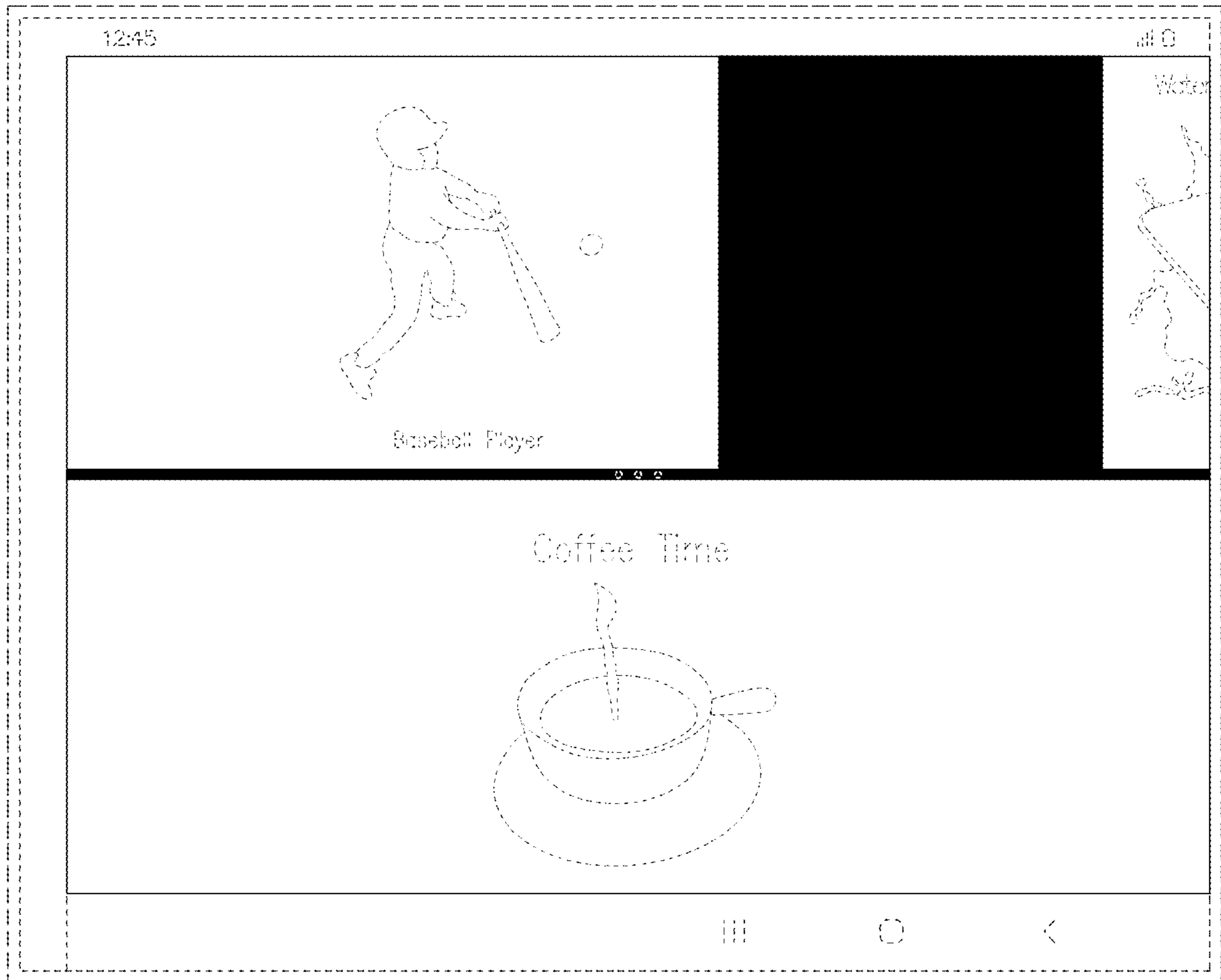


FIG. 4

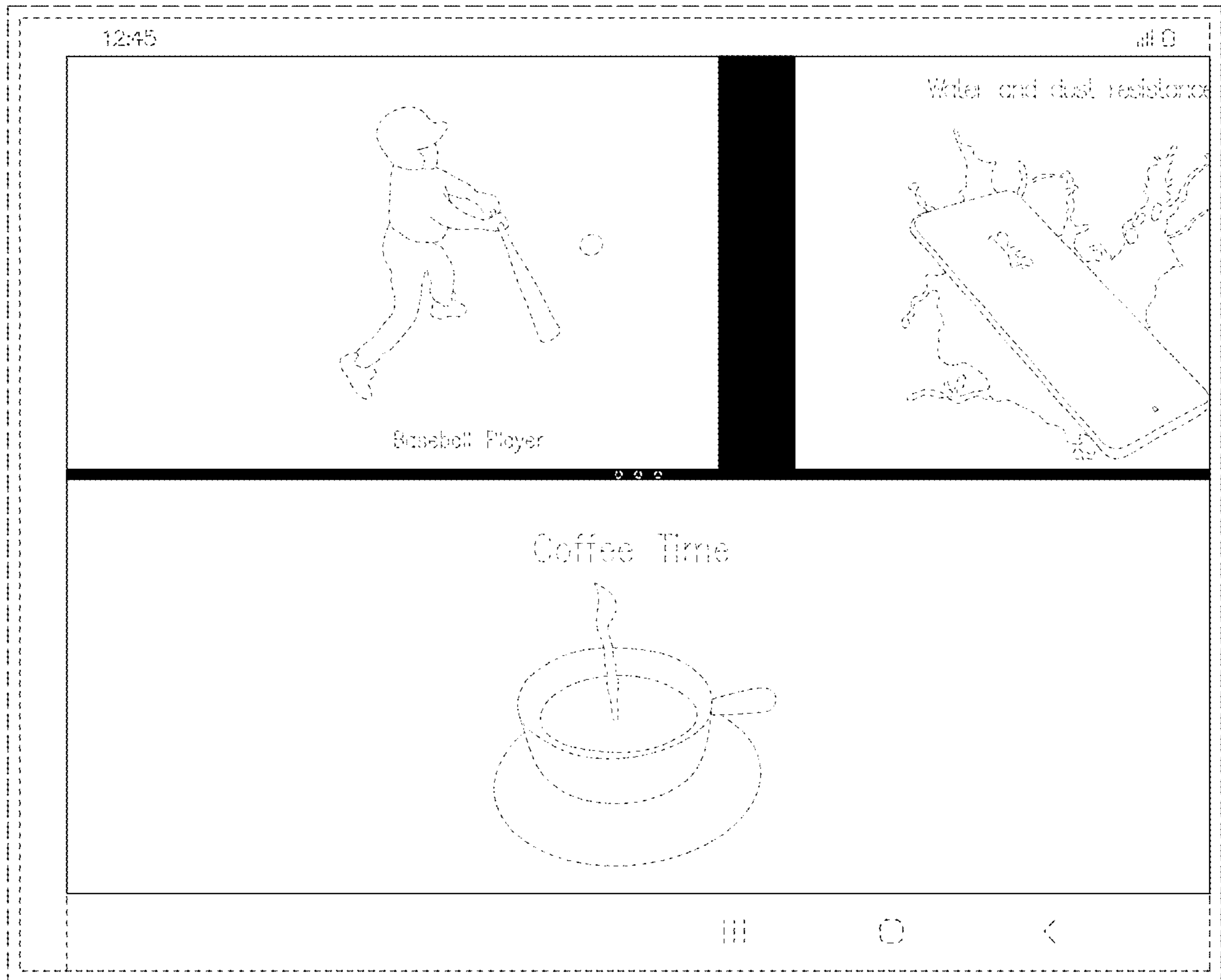


FIG. 5

