



US00D976271S

(12) **United States Design Patent**
Chen

(10) **Patent No.:** **US D976,271 S**
(45) **Date of Patent:** **** Jan. 24, 2023**

(54) **DISPLAY SCREEN OR PORTION THEREOF WITH A GRAPHICAL USER INTERFACE**

(71) Applicant: **Beijing Zitiao Network Technology Co., Ltd., Beijing (CN)**

(72) Inventor: **Dezheng Chen, Beijing (CN)**

(73) Assignee: **Beijing Zitiao Network Technology Co., Ltd., Beijing (CN)**

(**) Term: **15 Years**

(21) Appl. No.: **29/786,969**

(22) Filed: **Jun. 3, 2021**

(30) **Foreign Application Priority Data**

Dec. 18, 2020 (CN) 202030783765.3

(51) **LOC (14) Cl.** **14-04**

(52) **U.S. Cl.**
USPC **D14/485**

(58) **Field of Classification Search**
USPC D14/485-495; D20/11; D21/324, 325
CPC .. G06F 3/0481; G06F 3/04817; G06F 3/0482;
G06F 3/0483; G06F 3/04842; G06F
3/0485; G06F 3/04855; G06F 3/0486;
G06F 3/0488; G06F 3/04886; G06F
9/451; G06F 40/103; G06F 40/106; G06F
40/186; G06F 40/189; G06F 40/191;
H05B 47/195; G06Q 30/0261

See application file for complete search history.

(56) **References Cited**

U.S. PATENT DOCUMENTS

D689,073 S * 9/2013 Park D14/486
D692,450 S * 10/2013 Convay D14/486
D730,367 S * 5/2015 Ryan D14/485
D743,999 S * 11/2015 Villamor D14/488

D753,699 S * 4/2016 Tsukamoto D14/487
9,753,898 B1 * 9/2017 Glommen G06F 40/186
D808,403 S * 1/2018 Capela D14/486
D812,636 S * 3/2018 Lim D14/486
D819,682 S * 6/2018 Howard D14/488
2008/0084270 A1 * 4/2008 Cash H05B 47/195
340/3.7
2012/0303484 A1 * 11/2012 Kim G06Q 30/0261
709/204
2014/0351728 A1 * 11/2014 Seo G06F 9/451
715/766

OTHER PUBLICATIONS

“Instagram like dot indicator standalone view” Jun. 26, 2018, posted at androidexample365.com, [site visited Aug. 30, 2022]. <https://androidexample365.com/instagram-like-dot-indicator-standalone-view> (Year: 2018).*

* cited by examiner

Primary Examiner — John M Otte

(74) *Attorney, Agent, or Firm* — BakerHostetler

(57) **CLAIM**

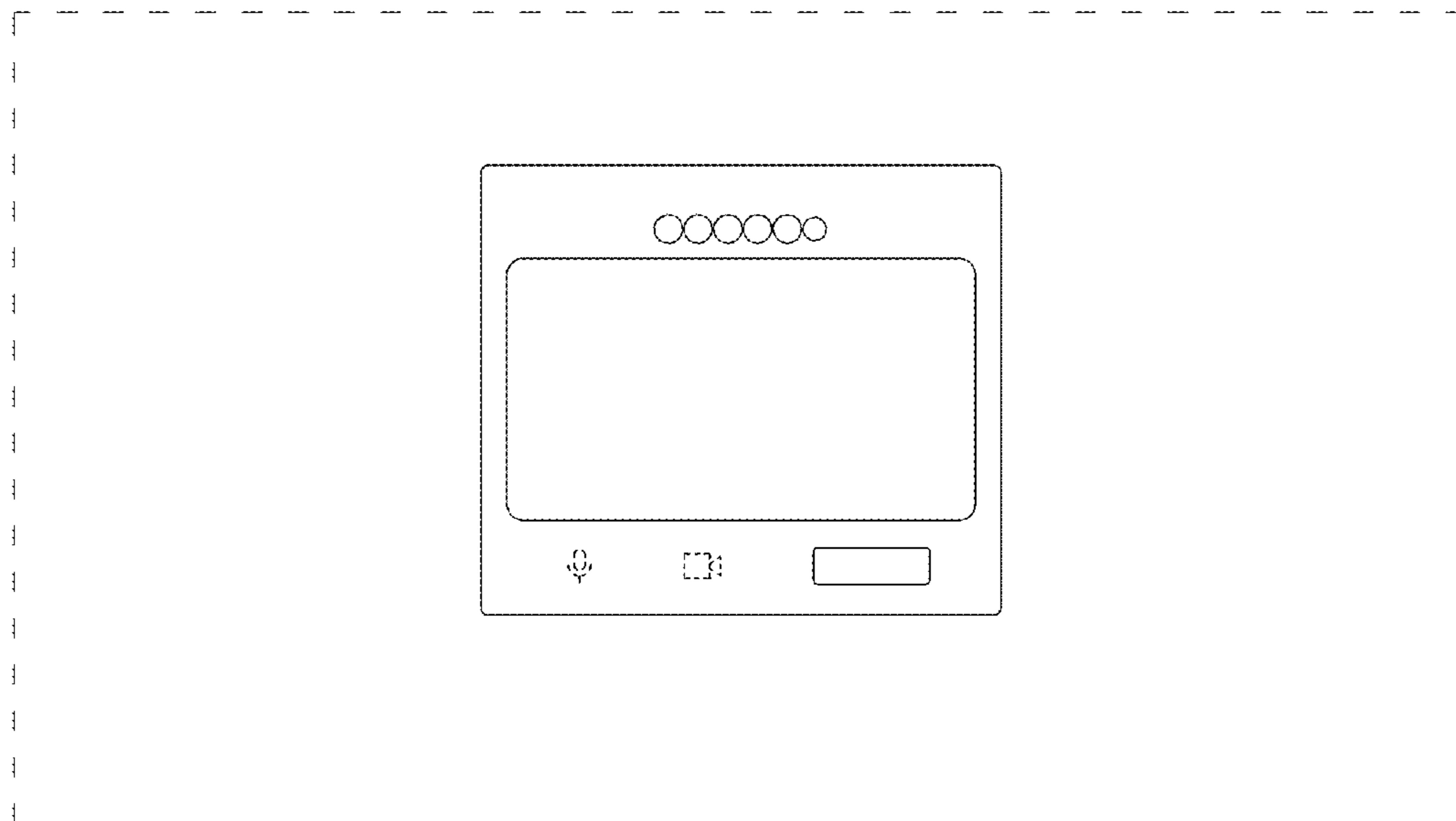
I claim the ornamental design for a display screen or portion thereof with a graphical user interface, as shown and described.

DESCRIPTION

FIG. 1 is a front view of a first embodiment of a display screen or portion thereof with a graphical user interface showing the new design; and,

FIG. 2 is a front view of a second embodiment thereof. The outermost broken line rectangle illustrates a display screen or portion thereof and forms no part of the claimed design. The remaining broken lines illustrate portions of the graphical user interface that form no part of the claimed design.

1 Claim, 2 Drawing Sheets



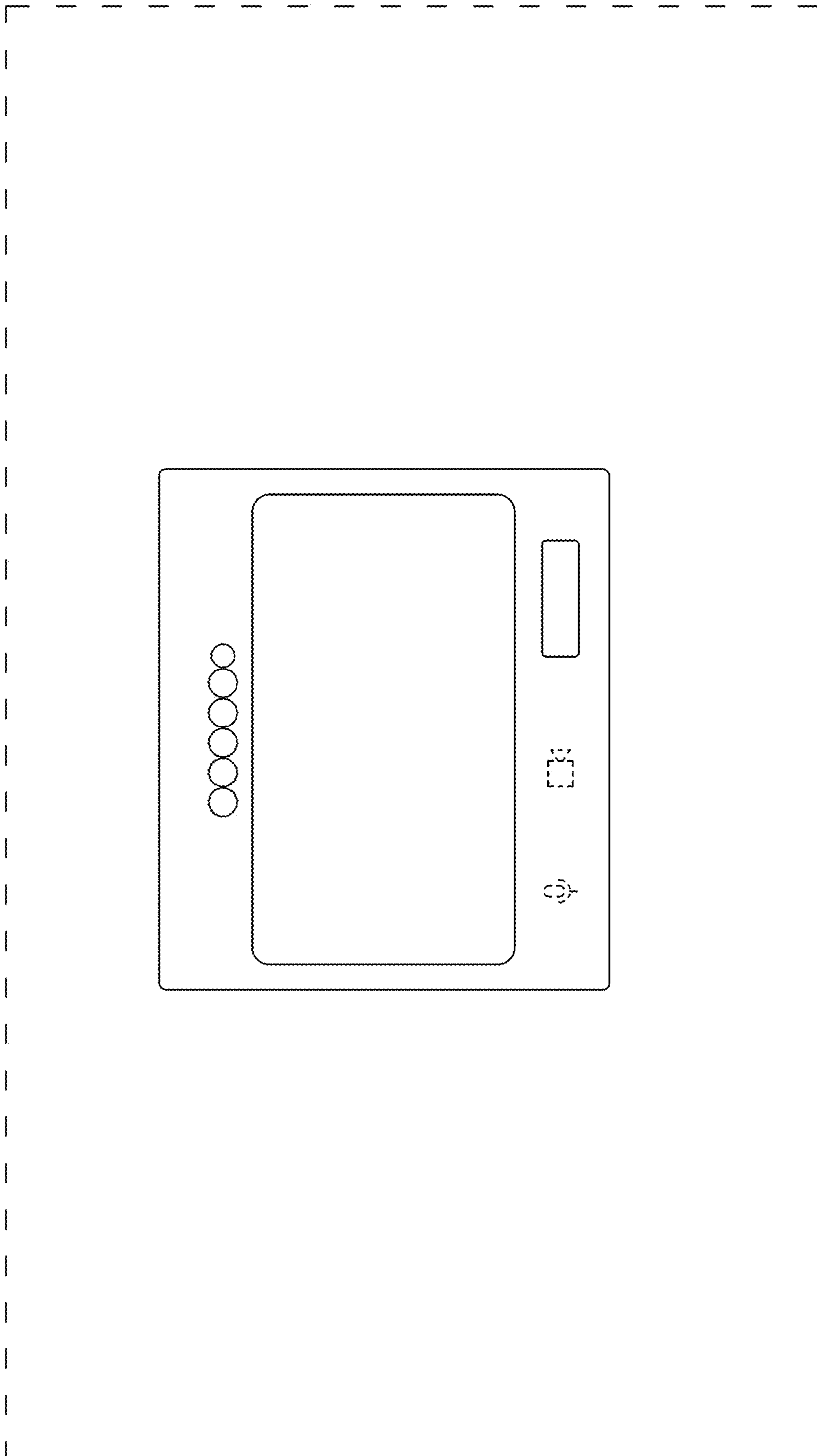


FIG. 1

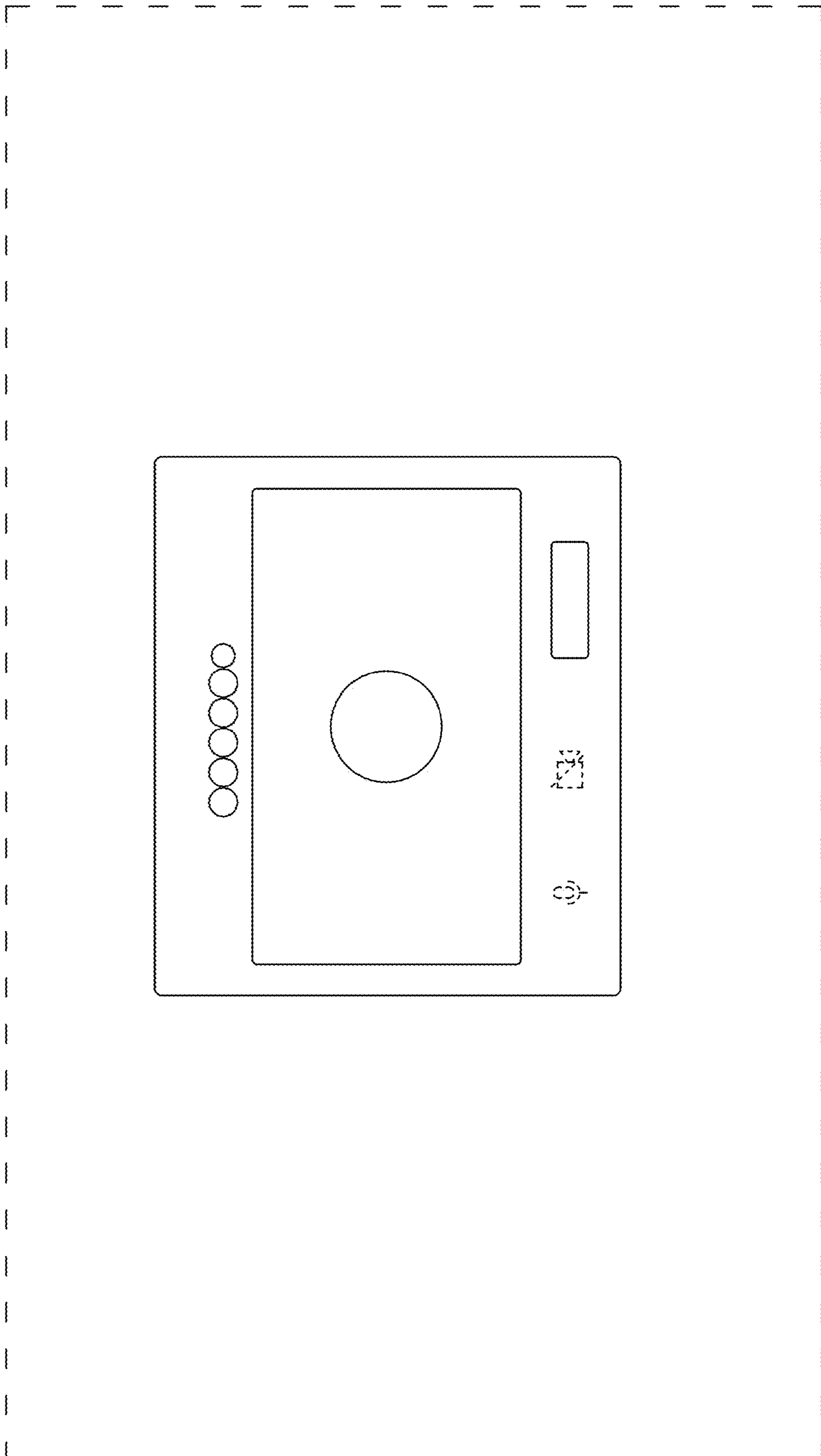


FIG. 2