



US00D976266S

(12) **United States Design Patent**  
**Kapoor et al.**

(10) **Patent No.:** **US D976,266 S**  
(45) **Date of Patent:** **\*\* Jan. 24, 2023**

(54) **DISPLAY SCREEN OR PORTION THEREOF WITH A GRAPHICAL USER INTERFACE**

(71) Applicant: **Meta Platforms, Inc.**, Menlo Park, CA (US)

(72) Inventors: **Mihika Kapoor**, Scarsdale, NY (US); **Blake Cutler**, Santa Monica, CA (US); **Andrew James Taylor**, Kingsville (AU); **Joseph Kennedy**, San Francisco, CA (US); **Yo-Tzu Yeh**, San Francisco, CA (US)

(73) Assignee: **Meta Platforms, Inc.**, Menlo Park, CA (US)

(\*\*) Term: **15 Years**

(21) Appl. No.: **29/695,376**

(22) Filed: **Jun. 18, 2019**

(51) **LOC (14) Cl.** ..... **14-04**

(52) **U.S. Cl.**  
USPC ..... **D14/485**

(58) **Field of Classification Search**  
USPC ..... D14/485–495  
CPC .... G06F 3/048; G06F 3/0481; G06F 3/04812; G06F 3/04815; G06F 3/04817; G06F 3/0482; G06F 3/0483; G06F 3/0484; G06F 3/04842; G06F 3/04845; G06F 3/04847; G06F 3/0485; G06F 3/04855; G06F 3/0486; G06F 3/0487; G06F 3/0488; G06F 3/04883; G06F 3/04886; G06F 3/016; G06F 3/165; G06F 40/35; H04N 1/00453; H04L 51/216; H04W 4/21

See application file for complete search history.

(56) **References Cited**

**U.S. PATENT DOCUMENTS**

6,067,084 A \* 5/2000 Fado ..... G06F 3/165 715/708  
D570,369 S \* 6/2008 Fletcher ..... D14/489

D665,818 S \* 8/2012 Anzures ..... D14/490  
D686,637 S \* 7/2013 Anzures ..... D14/489  
8,712,893 B1 \* 4/2014 Brandmaier ..... G06Q 40/08 705/35  
D711,917 S \* 8/2014 Jang ..... D14/490  
D716,343 S \* 10/2014 Baumann ..... D14/489  
D738,911 S \* 9/2015 Phelan ..... D14/489

(Continued)

**OTHER PUBLICATIONS**

Valero, Ian, “Join Chat: how to use the new Instagram sticker?” Jul. 4, 2019, posted at brandme.la, [site visited May 17, 2022]. <https://brandme.la/blog/join-chat-como-usar-el-nuevo-sticker-de-instagram> (Year: 2019).\*

(Continued)

*Primary Examiner* — John M Otte

(74) *Attorney, Agent, or Firm* — Keller Preece PLLC

(57) **CLAIM**

The ornamental design for a display screen or portion thereof with a graphical user interface, as shown and described.

**DESCRIPTION**

FIG. 1 is a front view of the first image of a display screen or portion thereof with a graphical user interface showing a new design;

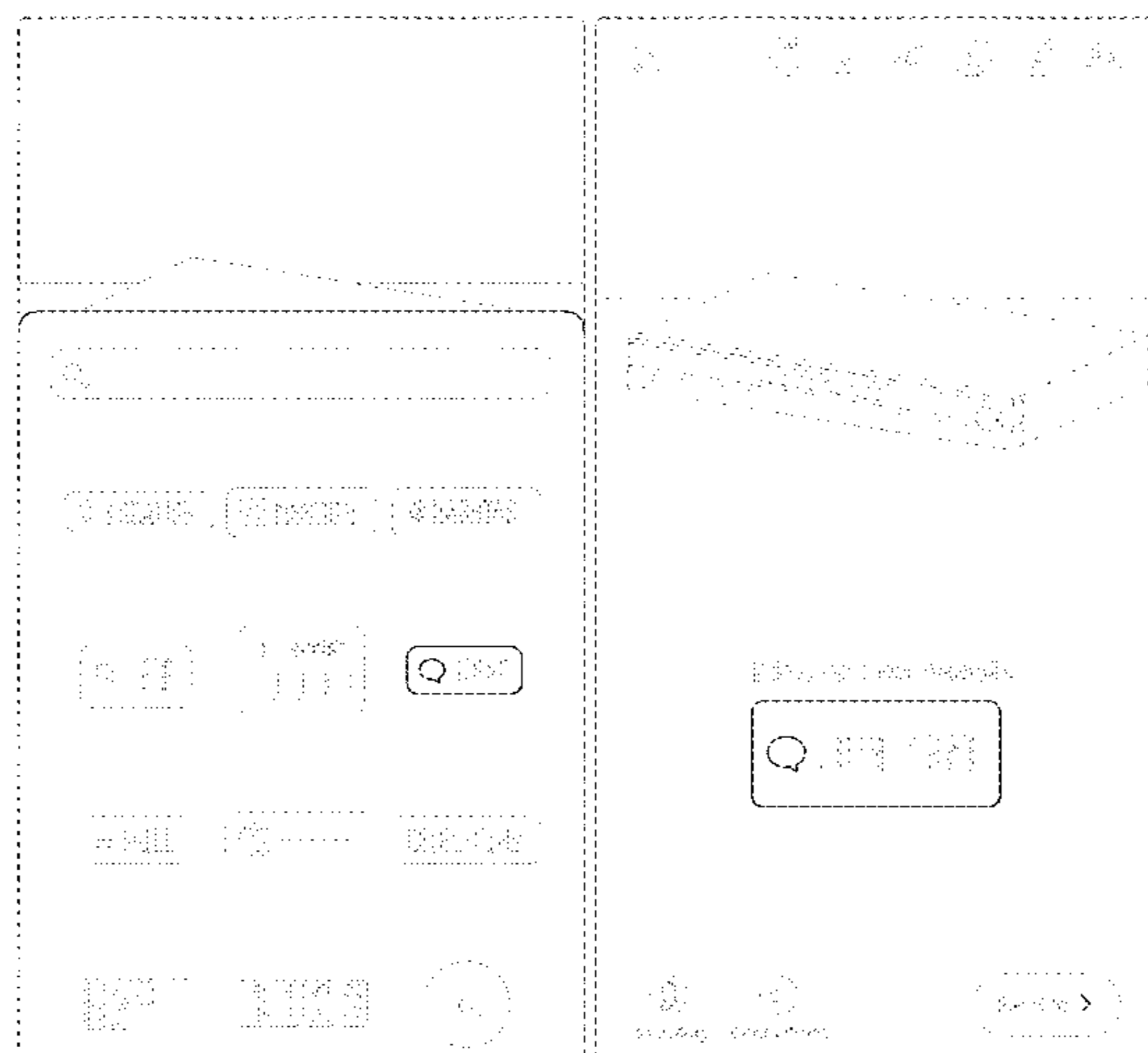
FIG. 2 is a second image thereof; and,

FIG. 3 is a third image thereof.

The broken lines around the Figures show a display screen or portion thereof and form no part of the claimed design. The broken lines within the Figures show portions of the graphical user interface that form no part of the claimed design.

The appearance of the transitional image sequentially transitions between the images shown in FIGS. 1-3. The process or period in which one image transitions to another image forms no part of the claimed design.

**1 Claim, 3 Drawing Sheets**



(56)

References Cited

U.S. PATENT DOCUMENTS

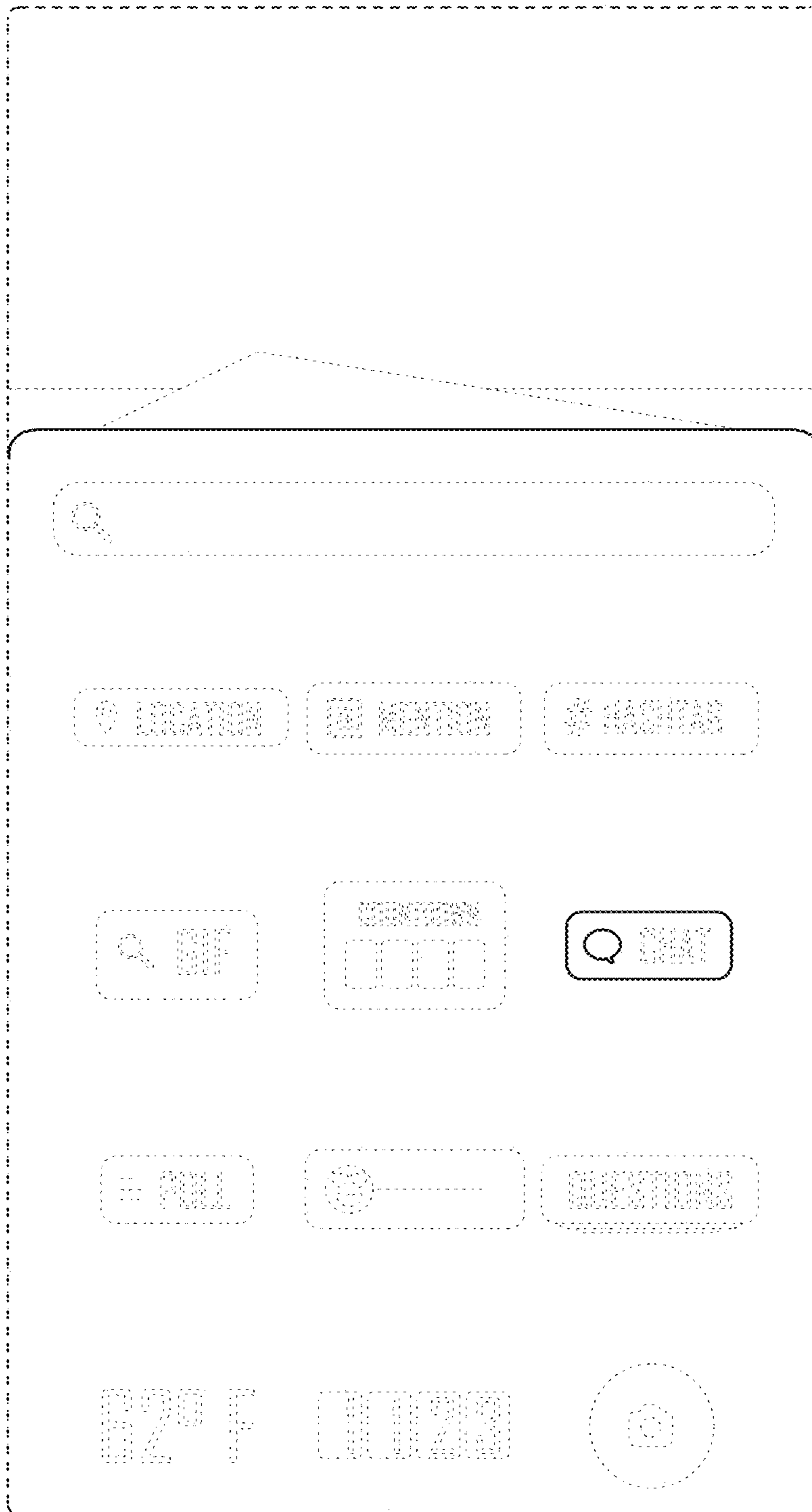
D745,053 S \* 12/2015 Jeon ..... D14/492  
 D754,198 S \* 4/2016 Moon ..... D14/492  
 D757,100 S \* 5/2016 Butcher ..... D14/489  
 D759,723 S \* 6/2016 Butcher ..... D14/494  
 D760,242 S \* 6/2016 Kaplan ..... D14/485  
 D771,092 S \* 11/2016 Apodaca ..... D14/486  
 D775,151 S \* 12/2016 Dellinger ..... D14/491  
 D783,639 S \* 4/2017 Broughton ..... D14/485  
 D785,036 S \* 4/2017 Jung ..... D14/487  
 D803,238 S \* 11/2017 Anzures ..... D14/485  
 D812,636 S \* 3/2018 Lim ..... D14/486  
 D816,686 S \* 5/2018 Rapp ..... D14/485  
 D834,054 S \* 11/2018 Gibson ..... D14/486  
 D844,026 S \* 3/2019 Wang ..... D14/489  
 D851,102 S \* 6/2019 Lee ..... D14/485  
 D859,447 S \* 9/2019 Anzures ..... D14/486  
 10,664,150 B2 \* 5/2020 Deets, Jr. .... G06F 3/0482  
 D901,525 S \* 11/2020 Carrigan ..... D14/492  
 D912,069 S \* 3/2021 Nayak ..... D14/485  
 D917,558 S \* 4/2021 Coverstone ..... D14/489  
 11,206,232 B2 \* 12/2021 Kapoor ..... H04W 4/21  
 2005/0262542 A1 11/2005 Dewese et al.  
 2011/0004841 A1 \* 1/2011 Gildred ..... H04N 1/00453  
 715/780  
 2012/0022872 A1 \* 1/2012 Gruber ..... G06F 40/35  
 704/270.1  
 2013/0263009 A1 10/2013 Kim et al.  
 2014/0156757 A1 6/2014 Zhang et al.  
 2014/0298253 A1 \* 10/2014 Jin ..... G06F 3/0482  
 715/803  
 2014/0324993 A1 10/2014 Li et al.  
 2015/0120588 A1 4/2015 Mencke  
 2015/0350349 A1 12/2015 Kao

2016/0021155 A1 \* 1/2016 Sawato ..... G06F 3/04817  
 455/456.1  
 2016/0127292 A1 5/2016 Birger et al.  
 2016/0291921 A1 10/2016 Miller et al.  
 2017/0046024 A1 \* 2/2017 Dascola ..... G06F 3/016  
 2017/0126592 A1 5/2017 El Ghouli  
 2017/0169555 A1 \* 6/2017 Larocca ..... G06F 3/04817  
 2017/0237785 A1 8/2017 Peng et al.  
 2017/0353416 A1 12/2017 Brooks et al.  
 2018/0077092 A1 3/2018 Jalil  
 2018/0152403 A1 5/2018 Charignon  
 2018/0241705 A1 8/2018 Sarafa et al.  
 2019/0191218 A1 6/2019 Cormican et al.  
 2019/0205743 A1 7/2019 Jiang et al.  
 2019/0306101 A1 10/2019 Synal et al.  
 2019/0327198 A1 10/2019 Connor  
 2020/0120170 A1 4/2020 Amitay et al.  
 2020/0403951 A1 \* 12/2020 Kapoor ..... H04L 51/216

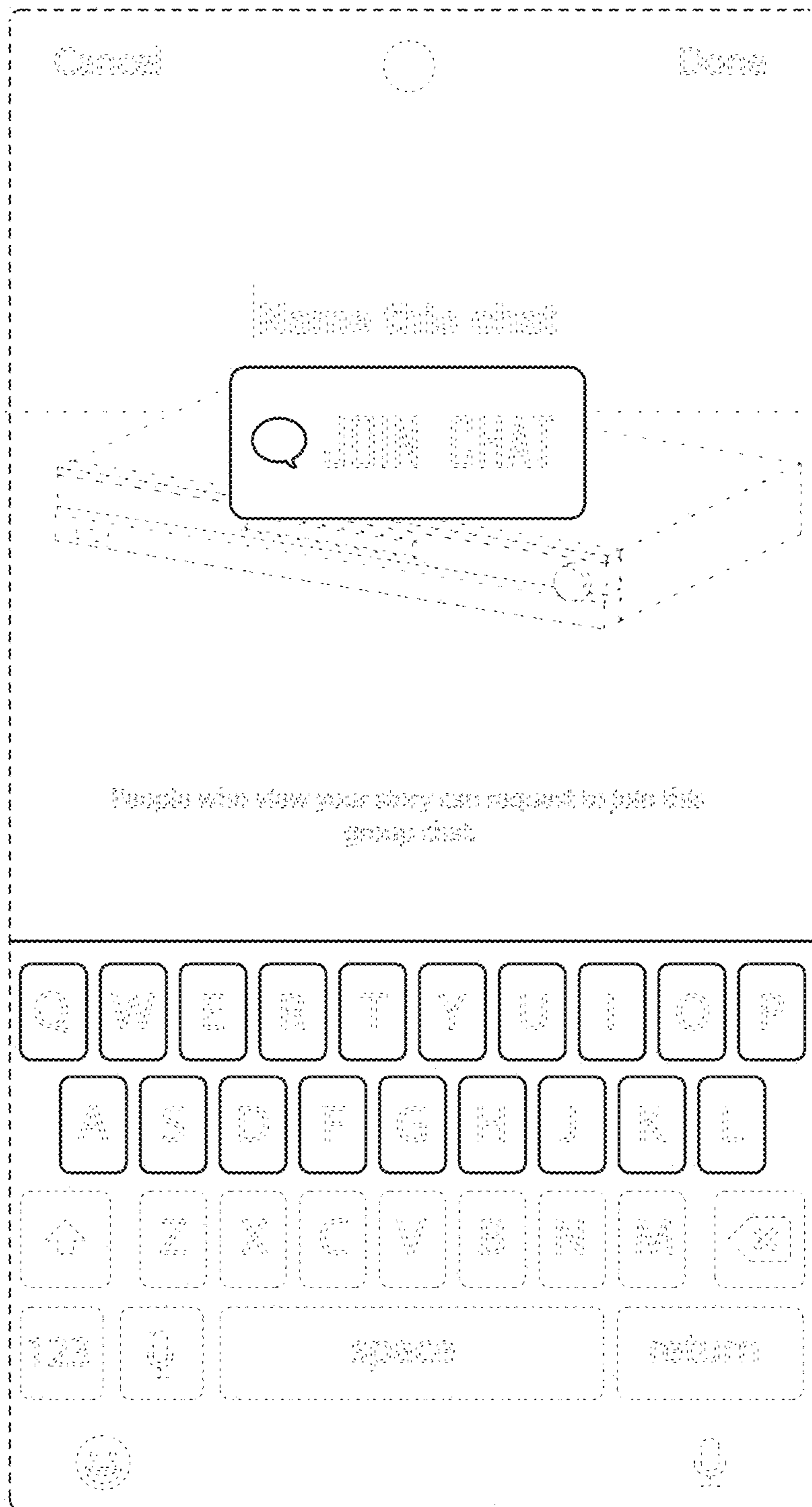
OTHER PUBLICATIONS

“Live Chat” Aug. 17, 2018, posted at support.flowxo.com, [site visited May 17, 2022]. <https://web.archive.org/web/20180817100554/https://support.flowxo.com/article/174-live-chat> (Year: 2018).  
 Watson, Christian, “online-chat-popup-example” Jun. 3, 2016, posted at smileycat.com, [site visited May 17, 2022]. <https://www.smileycat.com/online-chat-popup-example> (Year: 2016).  
 “Very Basic Speech Bubble Icon” Jul. 23, 2014, posted at iconarchive.com, [site visited May 17, 2022]. <https://web.archive.org/web/20140731050756/https://iconarchive.com/show/ios7-icons-by-icons8/Very-Basic-Speech-Bubble-icon.html> (Year: 2014).  
 U.S. Appl. No. 16/653,628, dated Oct. 21, 2020, Office Action.  
 U.S. Appl. No. 16/653,628, dated May 3, 2021, Office Action.  
 U.S. Appl. No. 16/653,628, dated Aug. 10, 2021, Notice of Allowance.

\* cited by examiner

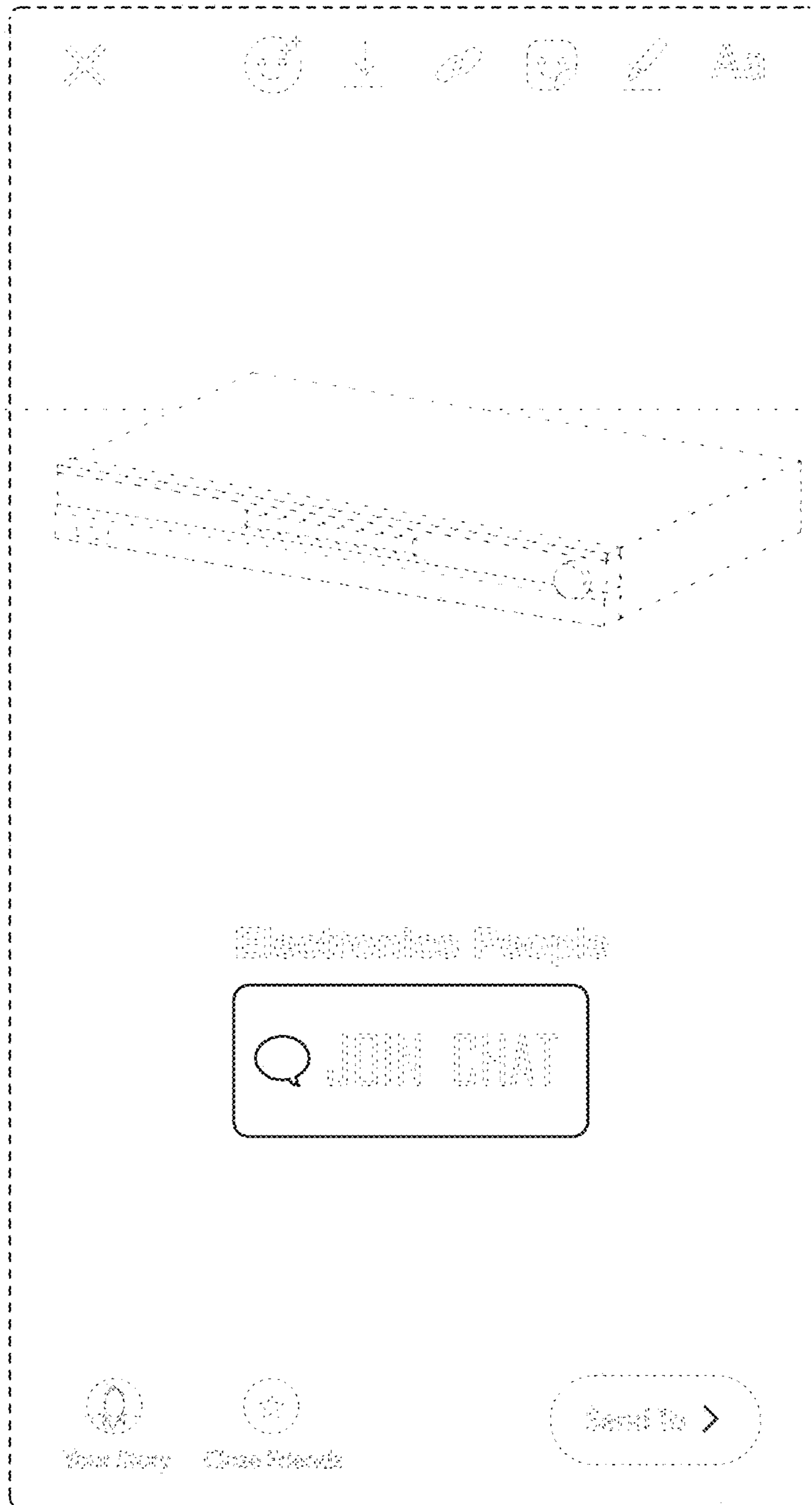


**Fig. 1**



**Fig. 2**





**Fig. 3**