



US00D976258S

(12) **United States Design Patent** (10) **Patent No.:** **US D976,258 S**
Akana et al. (45) **Date of Patent:** **** Jan. 24, 2023**

(54) **ELECTRONIC DEVICE**

(71) Applicant: **Apple Inc.**, Cupertino, CA (US)

(72) Inventors: **Jody Akana**, San Francisco, CA (US); **Molly Anderson**, San Francisco, CA (US); **Bartley K. Andre**, Palo Alto, CA (US); **Shota Aoyagi**, San Francisco, CA (US); **Anthony Michael Ashcroft**, San Francisco, CA (US); **Marine C. Bataille**, San Francisco, CA (US); **Jeremy Bataillou**, San Francisco, CA (US); **Abidur Chowdhury**, San Francisco, CA (US); **Markus Diebel**, San Francisco, CA (US); **Daniele De Iuliis**, San Francisco, CA (US); **M. Evans Hankey**, San Francisco, CA (US); **Julian Hoenig**, San Francisco, CA (US); **Richard P. Howarth**, San Francisco, CA (US); **Jonathan P. Ive**, San Francisco, CA (US); **Julian Jaede**, San Francisco, CA (US); **Duncan Robert Kerr**, San Francisco, CA (US); **Peter Russell-Clarke**, San Francisco, CA (US); **Benjamin Andrew Shaffer**, San Jose, CA (US); **Mikael Silvanto**, San Francisco, CA (US); **Joe Sung-Ho Tan**, San Francisco, CA (US); **Clement Tissandier**, San Francisco, CA (US); **Eugene Antony Whang**, San Francisco, CA (US); **Rico Zörkendörfer**, San Francisco, CA (US)

(73) Assignee: **Apple Inc.**, Cupertino, CA (US)

(**) Term: **15 Years**

(21) Appl. No.: **29/693,116**

(22) Filed: **May 31, 2019**

(51) **LOC (14) Cl.** **14-02**

(52) **U.S. Cl.**
USPC **D14/371**

(58) **Field of Classification Search**

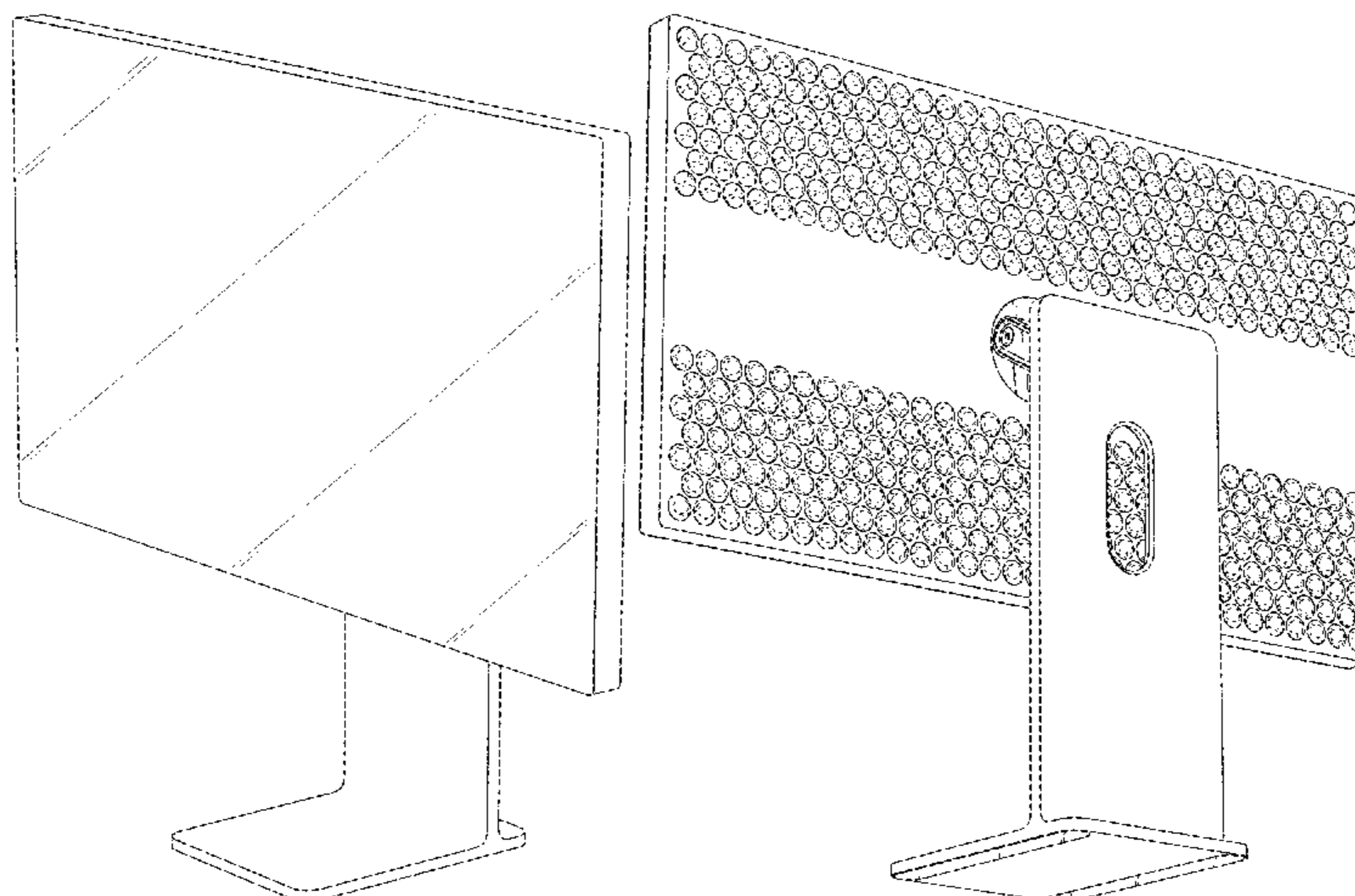
USPC D14/138 AB, 336, 371, 374-375, 203.8, D14/206, 214, 253, 307, 348-355, 372, D14/375-380, 388-389, 900, 902, 224, D14/229, 238, 324, 363, 452; D20/10, D20/15, 40, 43-44; 40/765; 248/444, 248/444.1; 235/42, 381; 348/150-151, 348/160; D18/4.1, 4.3-4.6, 11, 12.3
CPC A47G 1/141; A47G 1/0605; A47G 1/142; G09F 1/12; G09F 1/00; H04N 5/2252; G06Q 20/20; G06Q 20/202

See application file for complete search history.

(56) **References Cited**

U.S. PATENT DOCUMENTS

1,858,091 A *	5/1932	Humphris	E04B 2/14 52/608
2,493,458 A *	1/1950	Koenig	C21B 9/06 165/9.4
3,001,602 A *	9/1961	Taylor	E04B 1/8404 181/285
4,711,361 A	12/1987	Mischenko		
D310,510 S	9/1990	Bezos		
D314,189 S	1/1991	Horie		
4,980,998 A *	1/1991	Amstutz	G09F 13/0413 40/549
D334,561 S	4/1993	Crater et al.		
D360,299 S *	7/1995	Macek	D21/425
D396,031 S	7/1998	Chiodo et al.		
5,899,012 A *	5/1999	Crum	G09F 13/04 40/716
D422,977 S	4/2000	Hirose et al.		
D423,465 S	4/2000	Runnalls et al.		
D431,822 S	10/2000	Armstrong et al.		
D432,494 S	10/2000	Perez		
D434,030 S	11/2000	Colprit et al.		
D435,559 S	12/2000	Tanaka		
D462,349 S *	9/2002	Tanaka	D14/356
D463,383 S	9/2002	Hwang		
D469,087 S	1/2003	Sue et al.		
D476,298 S	6/2003	Lee		
D480,728 S	10/2003	Tanaka		
D481,385 S	10/2003	Tanaka		
D489,707 S *	5/2004	Kobayashi	D14/214
D490,081 S	5/2004	Oura et al.		
D497,163 S	10/2004	Andre et al.		
D499,096 S	11/2004	Deng		
D511,163 S	11/2005	Su et al.		



US D976,258 S

Page 2

D516,556 S 3/2006 Graziano
D516,567 S 3/2006 Su et al.
D527,018 S * 8/2006 Christianson D14/203.8
D541,045 S 4/2007 Peart et al.
D548,232 S 8/2007 Dearborn et al.
D558,572 S 1/2008 Andre et al.
D568,881 S 5/2008 Hsiau
D600,696 S * 9/2009 Andre D14/371
D609,705 S * 2/2010 Andre D14/374
D618,241 S * 6/2010 Akana D14/374
D618,242 S * 6/2010 Akana D14/374
D620,488 S * 7/2010 Andre D14/341
D620,932 S * 8/2010 Andre D14/336
D620,953 S * 8/2010 Andre D14/203.3
D621,841 S * 8/2010 Andre D14/448
D622,672 S 8/2010 Wu et al.
D624,878 S 10/2010 Uneo et al.
D630,210 S * 1/2011 Andre D14/374
D635,563 S 4/2011 Brusca et al.
D642,540 S 8/2011 Lin
D645,467 S * 9/2011 Mitsushashi D14/374
D647,523 S 10/2011 Su
D651,602 S * 1/2012 Andre D14/374
D651,607 S * 1/2012 Akana D14/448
D656,501 S * 3/2012 Andre D14/447
D658,190 S * 4/2012 Akana D14/448
D658,646 S * 5/2012 Akana D14/336
D661,305 S * 6/2012 Andre D14/374
D661,311 S * 6/2012 Akana D14/448
D667,401 S 9/2012 Mueller et al.
D671,925 S 12/2012 Tsuda et al.
D676,444 S 2/2013 Cloutier
D684,581 S * 6/2013 Akana D14/448
D685,786 S * 7/2013 Seoc D14/353
D687,023 S 7/2013 Jung et al.
D690,803 S 10/2013 Koivisto et al.
D692,425 S * 10/2013 Kubota D14/374
D694,250 S * 11/2013 Andre D14/448
D694,750 S * 12/2013 Shin D14/337
D707,224 S 6/2014 Bae et al.
D707,225 S 6/2014 Shin et al.
D712,397 S * 9/2014 Akana D14/336
D714,791 S * 10/2014 Liu D14/440
D715,799 S * 10/2014 Ozolins D14/374
D716,428 S 10/2014 Farone et al.
D718,782 S * 12/2014 Sato D14/487
D719,158 S * 12/2014 Akana D14/374
D727,897 S * 4/2015 Stevenson D14/374
D752,029 S * 3/2016 Akana D14/250
D752,035 S * 3/2016 Akana D14/336
D756,984 S * 5/2016 Akana D14/250
D757,727 S * 5/2016 Ozolins D14/374
D760,693 S * 7/2016 Kim D14/214
D766,897 S * 9/2016 Lim D14/374
D766,898 S * 9/2016 Lim D14/374
D768,129 S 10/2016 Chen
D771,837 S * 11/2016 Astacio D25/117
D776,665 S * 1/2017 Karlsson D14/439
D782,490 S * 3/2017 Lee D14/447
D783,020 S * 4/2017 Inoue D14/374
D791,763 S * 7/2017 Akana D14/336
D794,016 S 8/2017 Probst et al.
D795,868 S * 8/2017 Ozolins D14/374
D797,705 S * 9/2017 Zheng D14/217
D797,915 S 9/2017 Lewis
D799,016 S 10/2017 Su et al.
D812,027 S * 3/2018 Debaigue D14/126
D829,711 S * 10/2018 Akana D14/336
D834,165 S 11/2018 Maeng
D837,223 S * 1/2019 Wu D14/451
D844,578 S 4/2019 Seflic et al.
D847,208 S * 4/2019 Scott D15/5
D849,456 S * 5/2019 Chumakov D6/656.13
D852,780 S * 7/2019 Hibi D14/214
D853,544 S 7/2019 Vu et al.
D860,218 S * 9/2019 Akana D14/448
D860,959 S 9/2019 Seflic et al.
D872,638 S 1/2020 Yin
D874,624 S 2/2020 Liu et al.

D923,710 S * 6/2021 Ryan D20/10
D925,484 S * 7/2021 Easton D14/126
D936,136 S * 11/2021 Eun D18/4.5
D936,647 S * 11/2021 Akana D14/374
D939,498 S * 12/2021 Akana D14/316
D945,991 S * 3/2022 Kim D14/336
2004/0029636 A1 * 2/2004 Wells G07F 17/3211
463/32
2006/0237599 A1 * 10/2006 Ternus F16M 13/022
248/176.1
2007/0036603 A1 * 2/2007 Swoboda G06F 3/0202
400/472
2007/0291015 A1 * 12/2007 Mori G06F 1/1626
345/173
2011/0012838 A1 * 1/2011 Pance G06F 3/03543
345/173
2014/0009880 A1 * 1/2014 Gotham H05K 5/0017
361/679.21
2014/0192281 A1 * 7/2014 Smithwick H04N 13/395
349/15
2017/0041598 A1 * 2/2017 Smithwick G09G 3/003
2020/0099174 A1 * 3/2020 Andre H01R 13/6584
2020/0100387 A1 * 3/2020 Howarth H05K 7/20409
2021/0051823 A1 * 2/2021 Naghib Lahouti ... G06F 1/1601

FOREIGN PATENT DOCUMENTS

CN	303605330	3/2016
EM	007329685-0001	* 3/2020
EM	007329685-0004	* 3/2020
EM	007329685-0009	* 3/2020
JP	D1105441	* 4/2001
JP	D1162645	1/2003
JP	D1163447	1/2003
JP	HC15004383	1/2003
JP	HC1706549200	1/2006
JP	HC1803066100	7/2006
JP	HJ2006351500	2/2009
JP	HC21020143	11/2009
JP	HC28008445	4/2016
JP	HJ3100455500	4/2019
KR	300704699.0000	* 8/2013
KR	300844753.0000	3/2016

OTHER PUBLICATIONS

Mac Pro 2019, Apple, techradar.com, published by Matt Swider on Apr. 1, 2020 © Future US., Inc., online, site visited Jun. 13, 2020. Available at URL: <https://www.techradar.com/news/mac-pro-2019-first-look> (Year: 2020).*

Touchscreen AIO PC, VIZIO, chiploco.com, published by Afaq Shahid on Oct. 16, 2012 © 2016 ChipLoco, online, site visited Jun. 13, 2020. Available at URL: <https://www.chiploco.com/vizio-announces-touchscreen-aio-pc-lineup-designed-for-windows-8-17291> (Year: 2012).*

Thunderbolt Display, Apple, esm-computer.de, author unlisted, published on Oct. 11, 2018 © 2018 ESM-Computer GmbH, online, site visited Jun. 13, 2020. Available at URL: <https://www.esm-computer.de/magazin/produktvorstellungen/review-apple-thunderbolt-display-27/> (Year: 2018).*

Safety-Tread / Traction-Tread / Perf-Tread, All Metals Supply, allmetalsupply.com, author unlisted, published on Jul. 23, 2017 per wayback machine © 2014 All Metals Supply, online, site visited Feb. 23, 2021. Available at URL: <https://www.allmetalsupply.com/portfolio-view/perforated-raised/> (Year: 2017).*

Perforated Metal, RMIG, rmig.com, author unlisted, published on Oct. 18, 2011 per wayback machine © 2014 All Metals Supply, online, site visited Feb. 23, 2021. Available at URL: http://www.rmig.com/files/RMIG/PDF/UK/RM_Pattern_UK_208print.pdf (Year: 2011).*

MicroATX PC Case, Cerberus, sliger.com, author not listed, posted on Mar. 7, 2018 per wayback machine © 2017 Sliger Designs LLC, online, site visited Jan. 28, 2020. Available from Internet, URL: <https://www.sliger.com/products/cases/cerberus/> (Year: 2018).

Neo Pro Airflow Case, MetallicGear, youtube.com, posted by HardwareCanucks on Jan. 8, 2020 © not listed, online, site visited Jan. 28, 2020. Available from Internet, URL: <https://www.youtube.com/watch?v=1XGyLMwRb68> (Year: 2020).

Mac Pro, Apple, apple.com, author not listed, author and date not listed © not listed, online, site visited Jan. 28, 2020. Available from Internet, URL: <https://www.apple.com/mac-pro/> (Year: 2020).

R4x5 Series Compact Industrial Server Chassis, Yeong Yang, yycase.com, author and date not listed © Yeong Yang, online, site visited Jan. 28, 2020. Available from Internet, URL: <https://www.yycase.com/Tower-Server-Chassis-R4x5-Series.html> (Year: 2020).

U.S. Appl. No. 29/693,114, filed May 31, 2019. (Unpublished).

U.S. Appl. No. 29/712,528, filed Nov. 8, 2019. (Unpublished).

* cited by examiner

Primary Examiner — Holly E Thurman

Assistant Examiner — Altaira J Swangin

(74) *Attorney, Agent, or Firm* — Saidman DesignLaw Group, LLC

(57)

CLAIM

The ornamental design for an electronic device, as shown and described.

DESCRIPTION

FIG. 1 is a perspective view of an electronic device showing our new design;

FIG. 2 is another perspective view thereof;

FIG. 3 is a front view thereof;

FIG. 4 is a rear view thereof;

FIG. 5 is a right side view thereof;

FIG. 6 is a left side view thereof;

FIG. 7 is a top view thereof; and,

FIG. 8 is a bottom view thereof.

The dashed broken lines illustrate structure or features which form no part of the claimed design.

The oblique shade lines illustrate a transparent, reflective, or glossy surface.

1 Claim, 6 Drawing Sheets

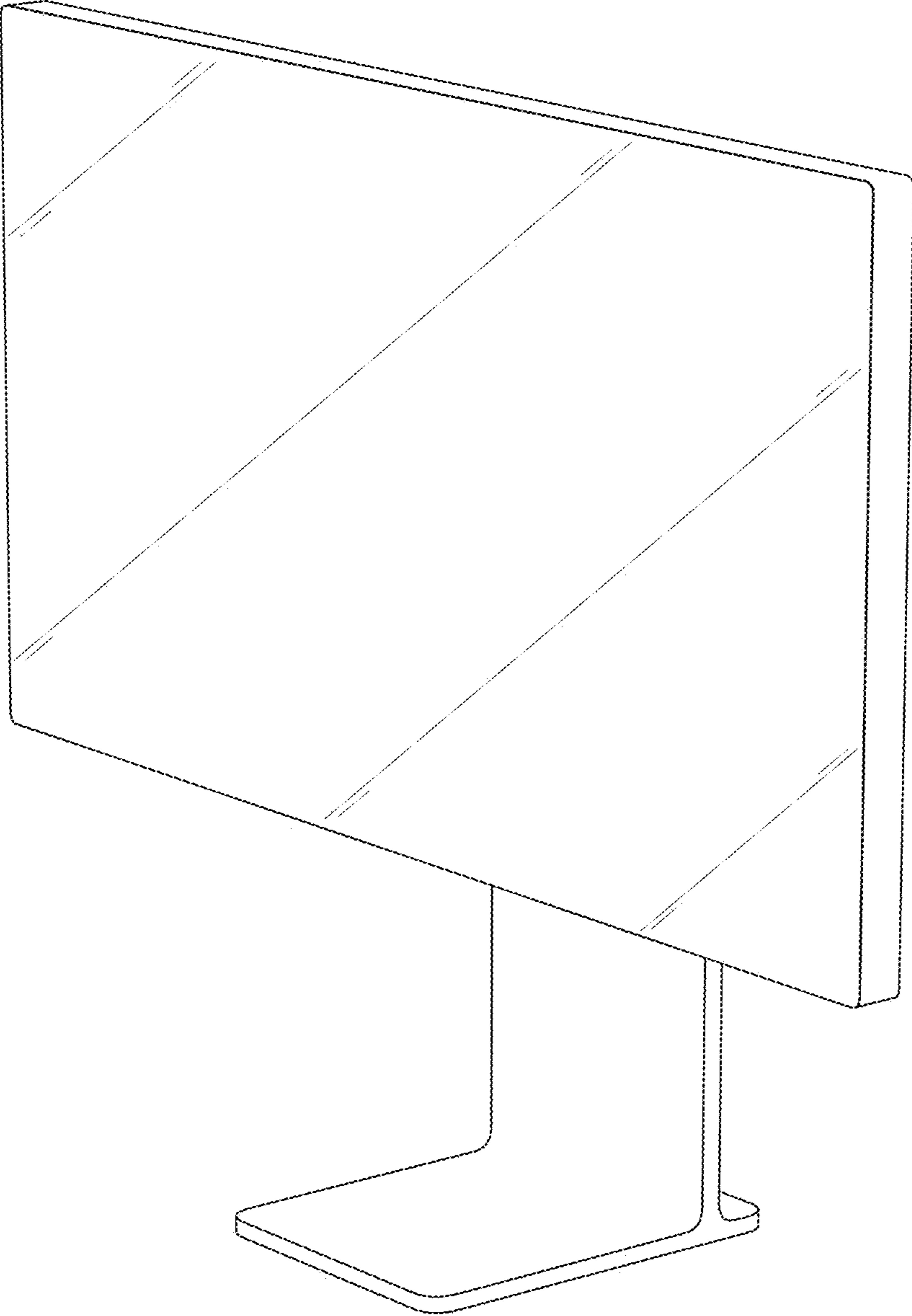


Fig. 1

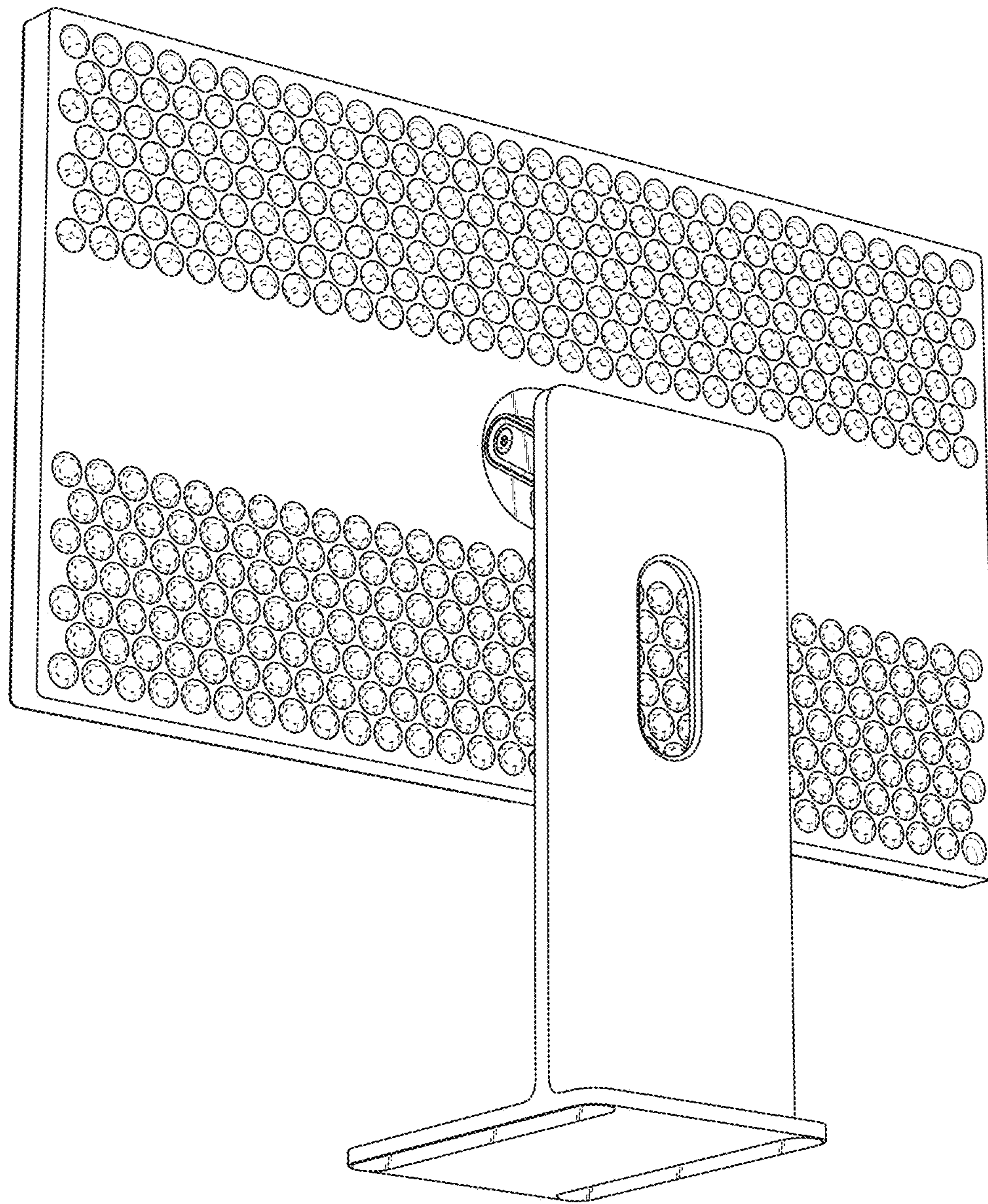


Fig. 2

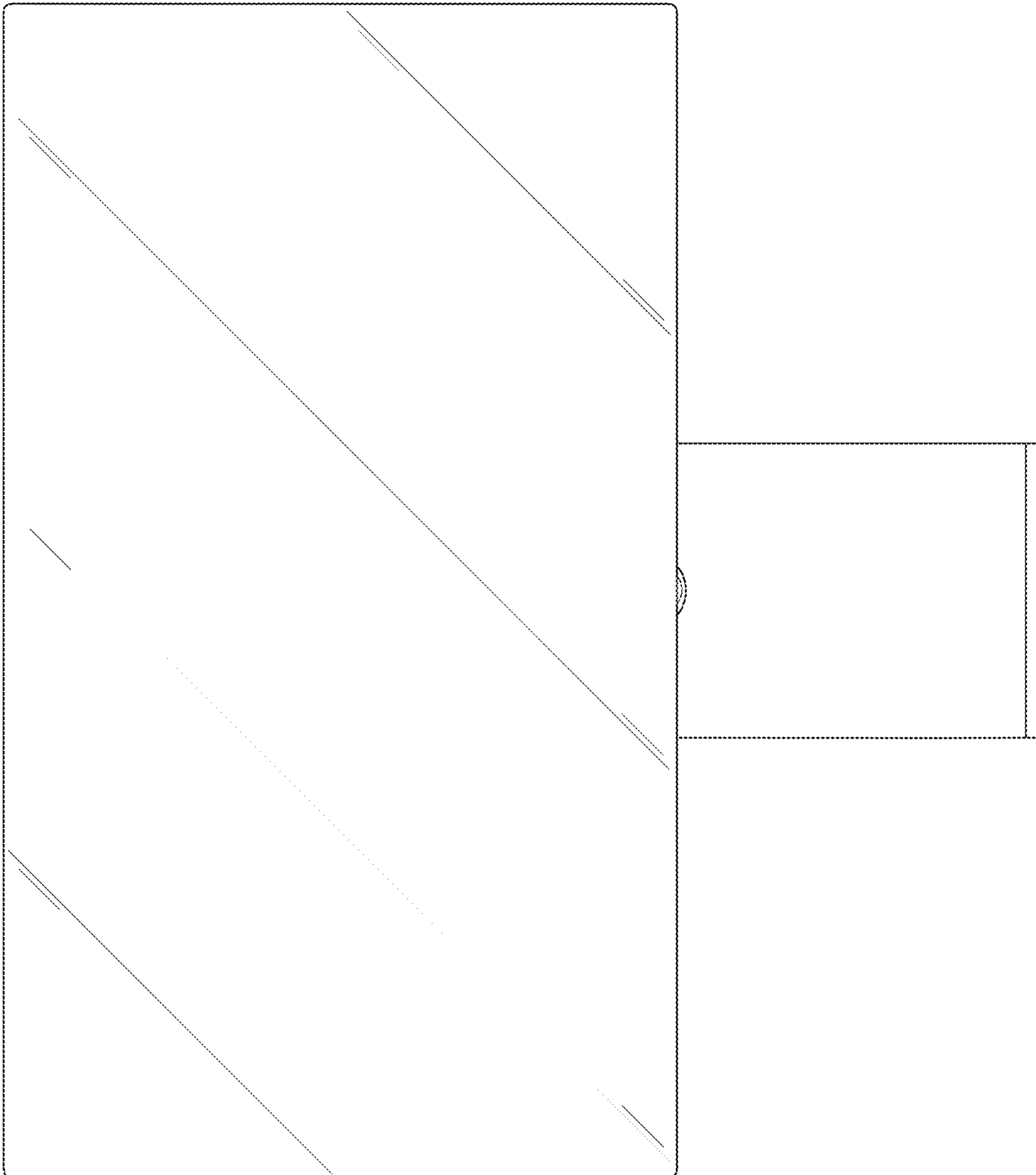


Fig. 3

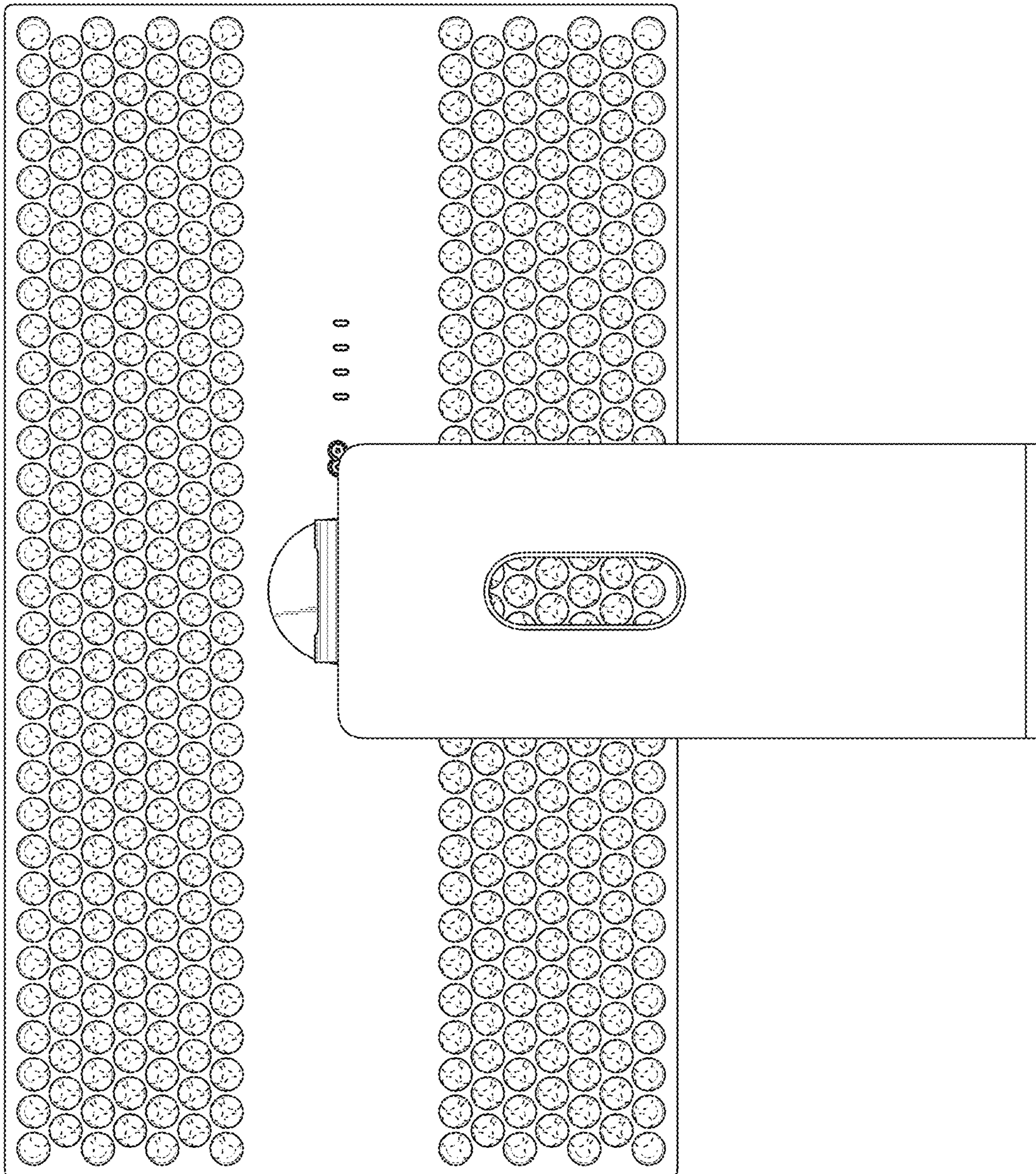


Fig. 4

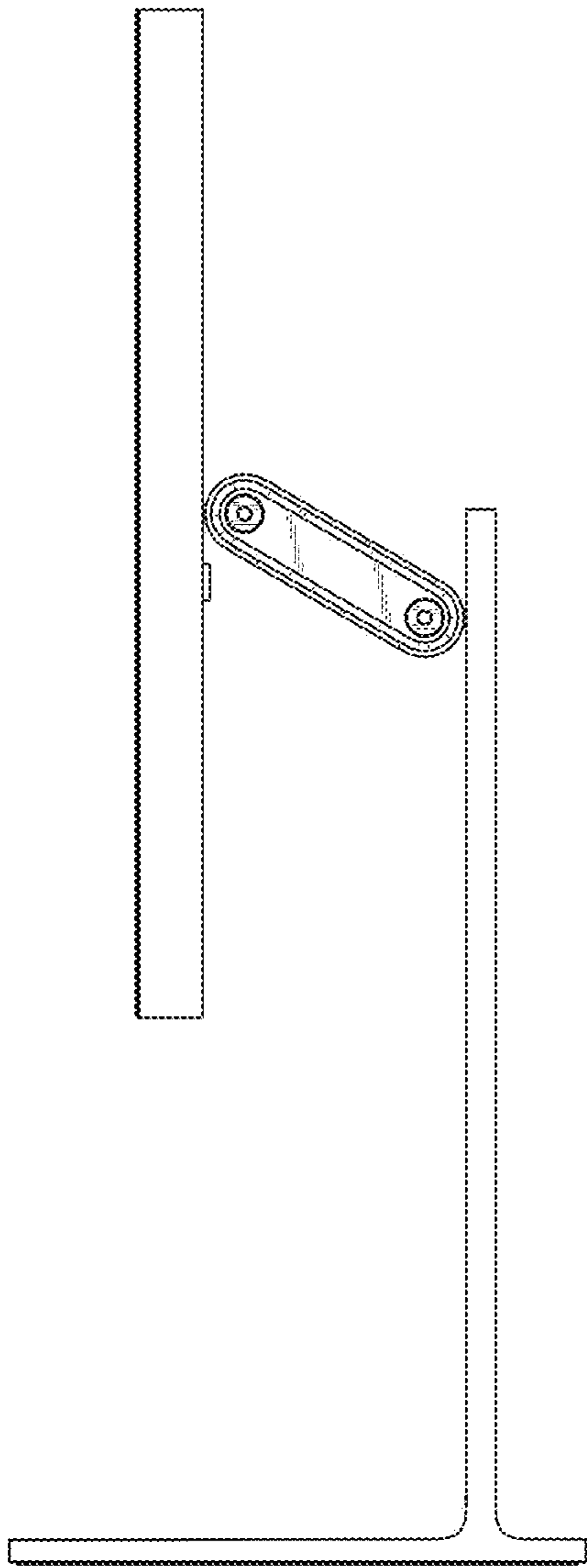


Fig. 5

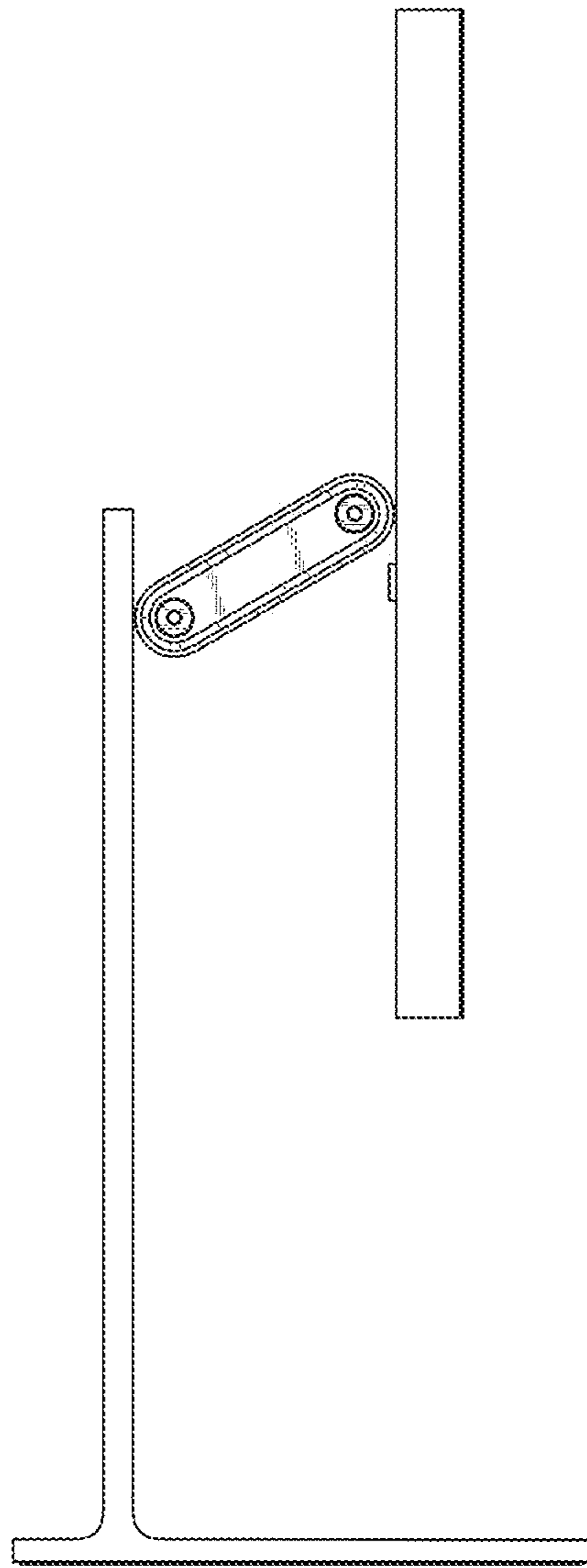


Fig. 6

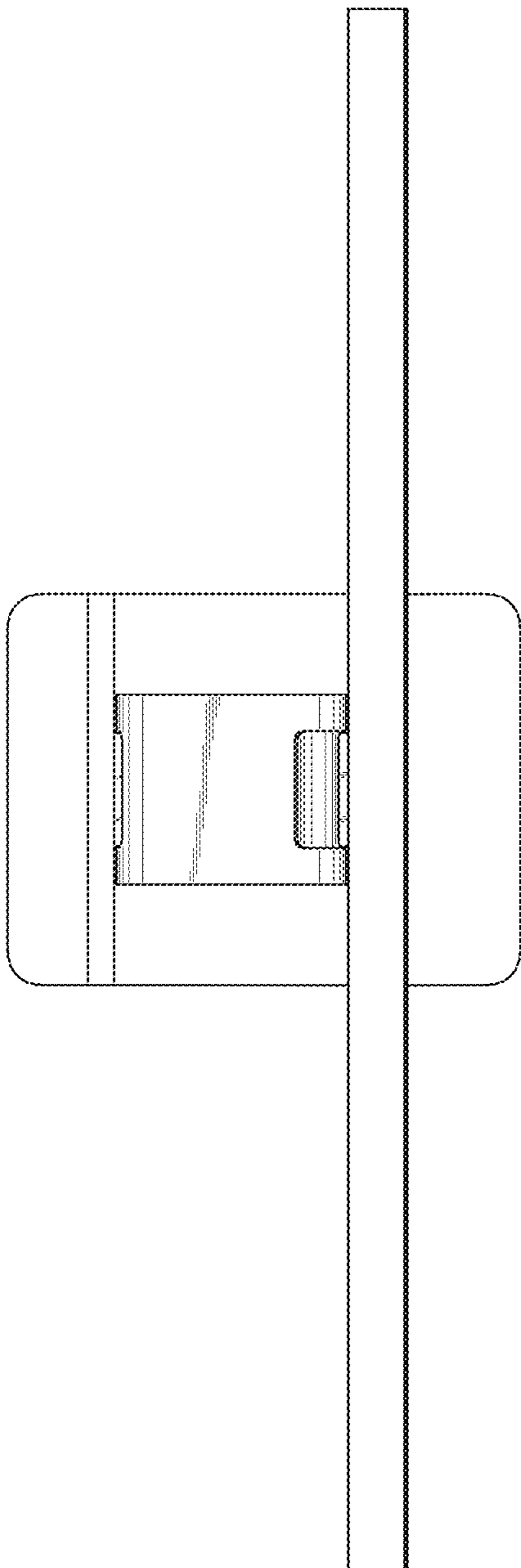


Fig. 7

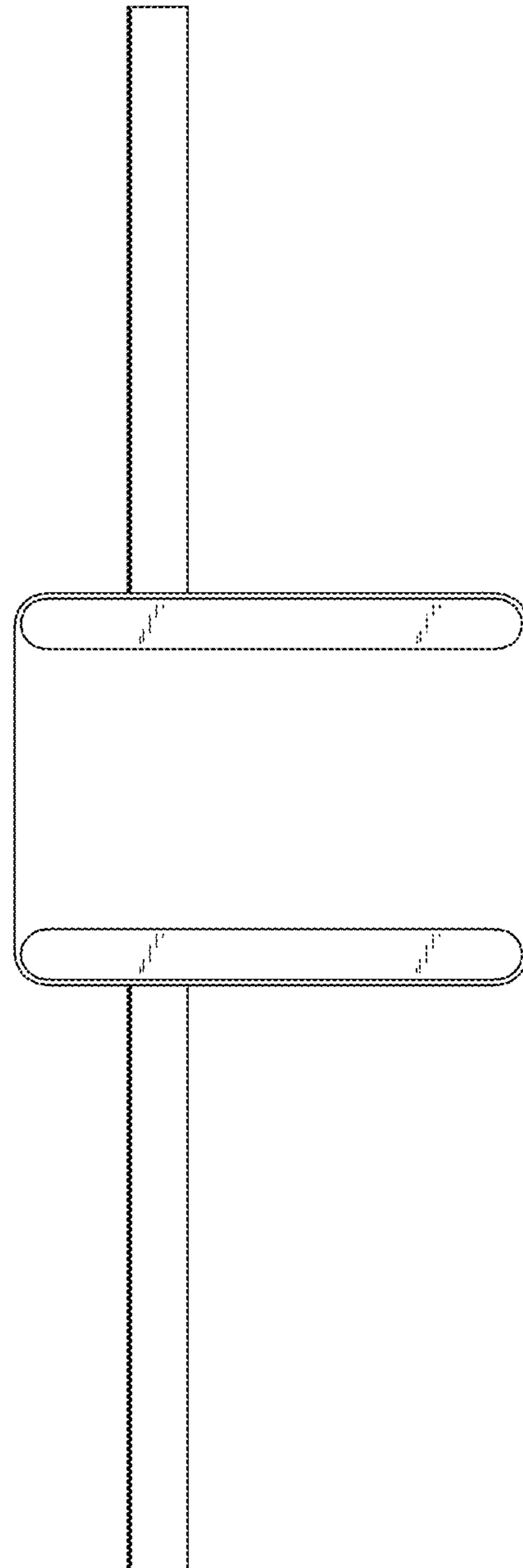


Fig. 8