



US00D976256S

(12) **United States Design Patent** (10) **Patent No.:** **US D976,256 S**  
**Han** (45) **Date of Patent:** **\*\* Jan. 24, 2023**

(54) **SMARTWATCH**

(71) Applicant: **Zhongtao Han**, Shenzhen (CN)

(72) Inventor: **Zhongtao Han**, Shenzhen (CN)

(\*\*) Term: **15 Years**

(21) Appl. No.: **29/770,007**

(22) Filed: **Feb. 9, 2021**

(30) **Foreign Application Priority Data**

Jan. 25, 2021 (CN) ..... 202130051275.9

(51) **LOC (14) Cl.** ..... **14-02**

(52) **U.S. Cl.**  
USPC ..... **D14/344**

(58) **Field of Classification Search**

USPC ..... D5/56, 59-60, 99; D10/30-39, 70, 98,  
D10/1-2, 5, 10, 14-15, 21, 30-41;  
D11/3, 4, 5, 8, 26, 93-94, 78.1, 79, 86,  
D11/99; D14/138 R, 144, 341, 344, 358,  
D14/388, 218; D24/167, 186-190, 164,  
D24/169

CPC .... A41D 1/002; A41D 19/0034; G04G 17/00;  
G04G 17/02; G04G 17/08; G04G 17/083;  
G04G 17/086; G04G 17/005; G04G  
13/028; G04G 11/00; G04G 9/00; G04C  
3/00; G04C 3/001; G04C 3/002; G04C  
3/004; G04C 3/005; G04C 2/007; G04C  
23/02; G04C 23/04; G04C 17/00; G04B  
3/04; G04B 19/24; G04B 19/26; G04B  
37/00; G04B 45/0069; G04B 47/04;  
G04B 37/0008; G04B 27/0058; G04B  
37/12; G04B 37/18; G04B 45/00; G04B  
47/00; G04B 47/042; G04B 47/06; G04B  
47/063; G04B 19/00; G04B 19/04; A44C  
5/00; A44C 5/0007; A44C 5/0053; A44C  
5/10; A44C 5/14

See application file for complete search history.

(56) **References Cited**

U.S. PATENT DOCUMENTS

D866,350 S \* 11/2019 Park ..... D14/344  
D876,244 S \* 2/2020 Park ..... D10/32  
D887,406 S \* 6/2020 Mao ..... D14/344

(Continued)

FOREIGN PATENT DOCUMENTS

GB 6002640 \* 11/2016  
GB 6084785 \* 3/2020

(Continued)

OTHER PUBLICATIONS

Choiknbo—Amazon, Announced on Jun. 20, 2022 [online], Retrieved on Nov. 17, 2022 from Internet, <https://www.amazon.com/Watches-Android-Compatible-Waterproof-Smartwatch/dp/B0B4J8KZJZ/?th=1> (Year: 2022).\*

(Continued)

*Primary Examiner* — Barbara Fox  
*Assistant Examiner* — Noah Perez

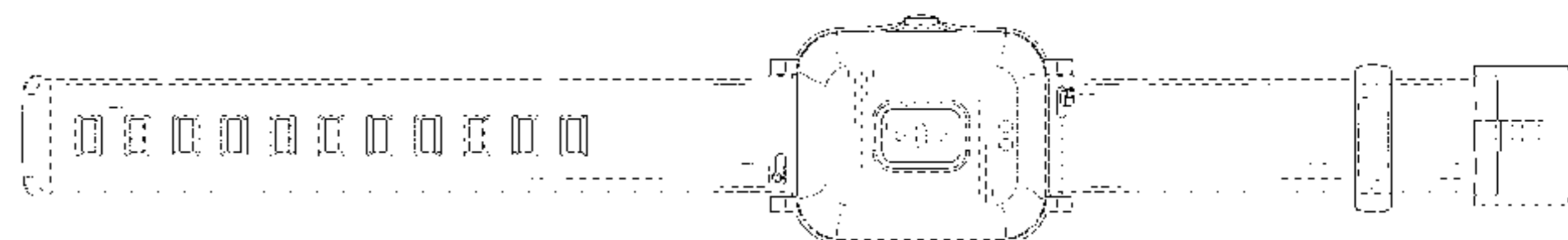
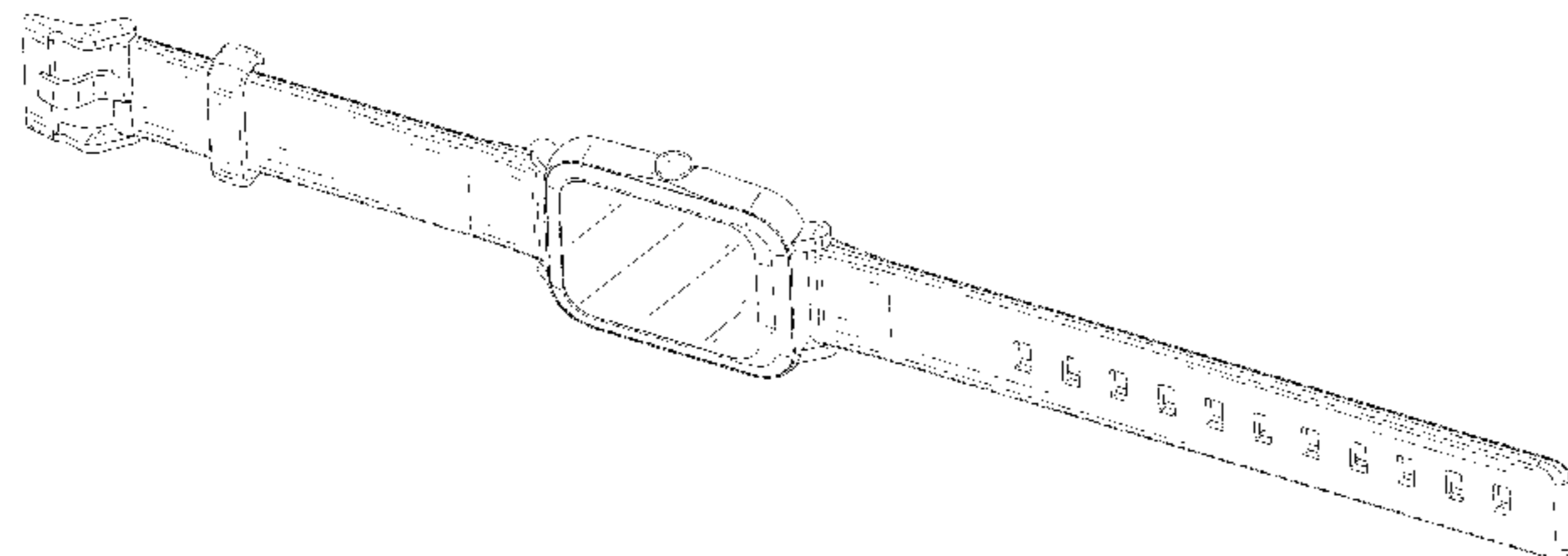
(57) **CLAIM**

The ornamental design for a smartwatch, as shown and described.

**DESCRIPTION**

FIG. 1 is a perspective view of a smartwatch showing my new design;  
FIG. 2 is another perspective view thereof;  
FIG. 3 is a front elevational view thereof;  
FIG. 4 is a rear elevational view thereof;  
FIG. 5 is a top plan view thereof;  
FIG. 6 is a bottom view thereof;  
FIG. 7 is a right side elevational view thereof; and,  
FIG. 8 is a left side elevational view thereof.  
The broken lines in the drawings depict portions of the smartwatch that form no part of the claimed design.

**1 Claim, 8 Drawing Sheets**



(56)

References Cited

U.S. PATENT DOCUMENTS

D900,809 S \* 11/2020 Gao ..... D14/344  
 D900,810 S \* 11/2020 Ke ..... D14/344  
 D901,493 S \* 11/2020 Gao ..... D14/344  
 D909,369 S \* 2/2021 Wu ..... D14/344  
 D912,665 S \* 3/2021 Zhang ..... D14/344  
 D922,378 S \* 6/2021 Lin ..... D14/344  
 D923,003 S \* 6/2021 Lin ..... D14/344  
 D929,989 S \* 9/2021 Han ..... D14/344  
 D934,860 S \* 11/2021 King ..... D14/344  
 D940,705 S \* 1/2022 Lin ..... D14/344  
 D947,183 S \* 3/2022 Wu ..... D14/344  
 D954,702 S \* 6/2022 Park ..... D14/344  
 D960,152 S \* 8/2022 Akana ..... D14/344  
 D962,234 S \* 8/2022 He ..... D14/344  
 D963,639 S \* 9/2022 Zhang ..... D14/344  
 D966,114 S \* 10/2022 Qu ..... D14/344  
 2021/0052188 A1 \* 2/2021 Gorbunov ..... A61B 5/0531  
 2021/0059362 A1 \* 3/2021 Xue ..... G04G 17/08

FOREIGN PATENT DOCUMENTS

GB 6102167 \* 9/2020  
 HK 1915026-0006 \* 4/2020  
 IN 320486-001-0001 \* 10/2019

OTHER PUBLICATIONS

IP67—Amazon, Announced on Sep. 3, 2021 [online], Retrieved on Nov. 17, 2022 from Internet, <https://www.amazon.com/Waterproof-Fitness-Pressure-Tracker-Control/dp/B09F688VDG?th=1> (Year: 2021).  
 Smaiiit—Amazon, Announced on Dec. 3, 2021 [online], Retrieved on Nov. 17, 2022 from Internet, <https://www.amazon.com/Fitness-Pressure-Waterproof-Bluetooth-Smartwatch/dp/B09WJCN3CT> (Year: 2021).  
 SKG—Amazon, announced on Feb. 8, 2022 [online], Retrieved on Nov. 17, 2022 from Internet, <https://www.amazon.com/Smartwatch-5ATM-Waterproof-Touchscreen-Android-iPhone-SKG/dp/B09PHL2TDT> (Year: 2022).

\* cited by examiner

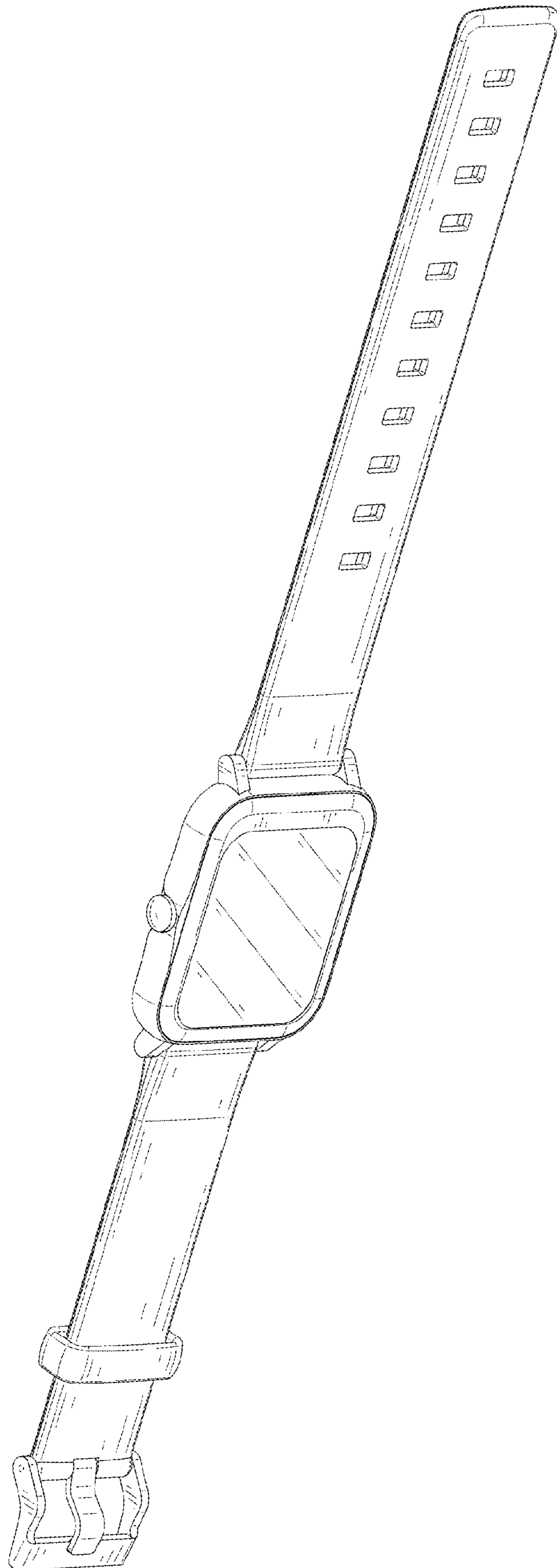


FIG. 1

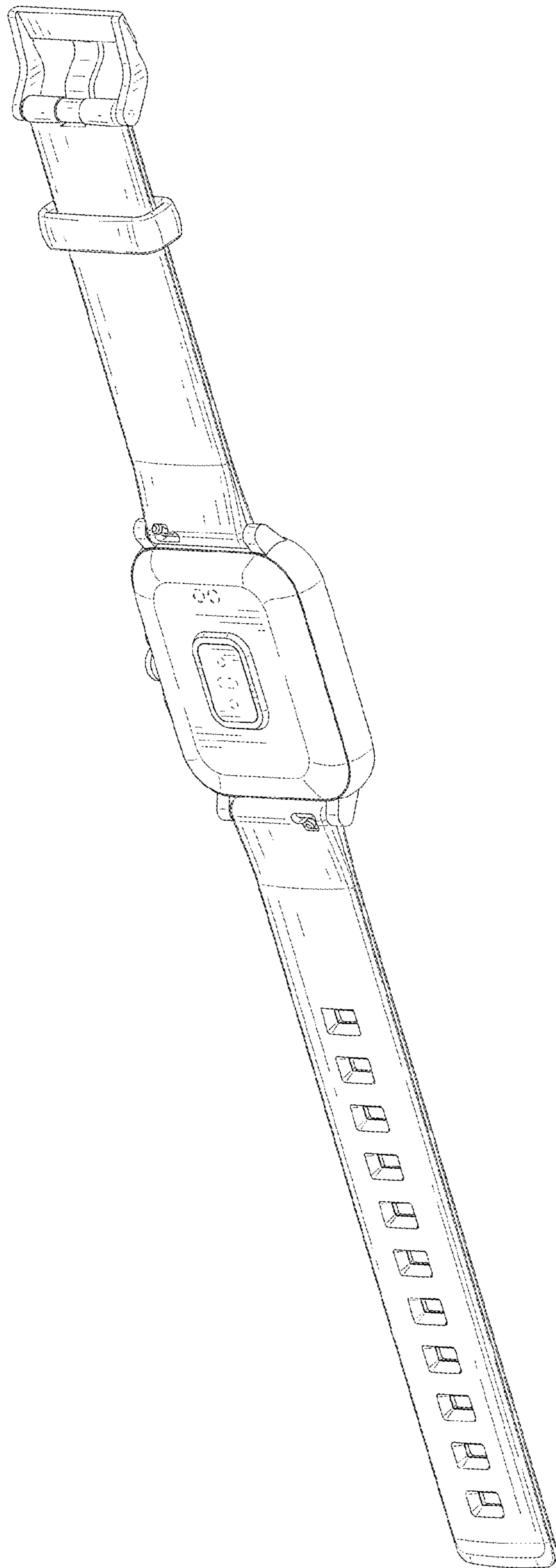


FIG. 2

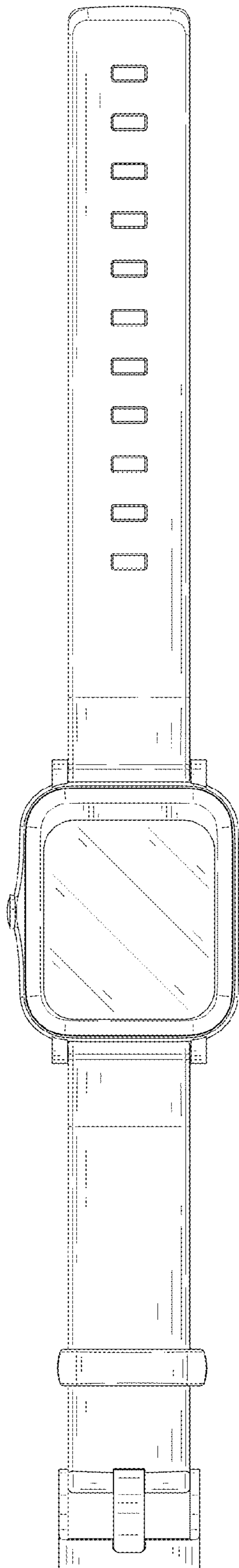


FIG. 3



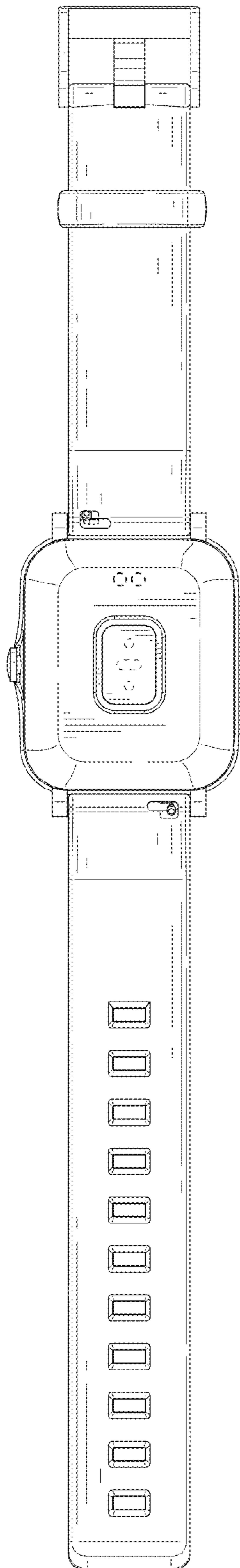


FIG. 4

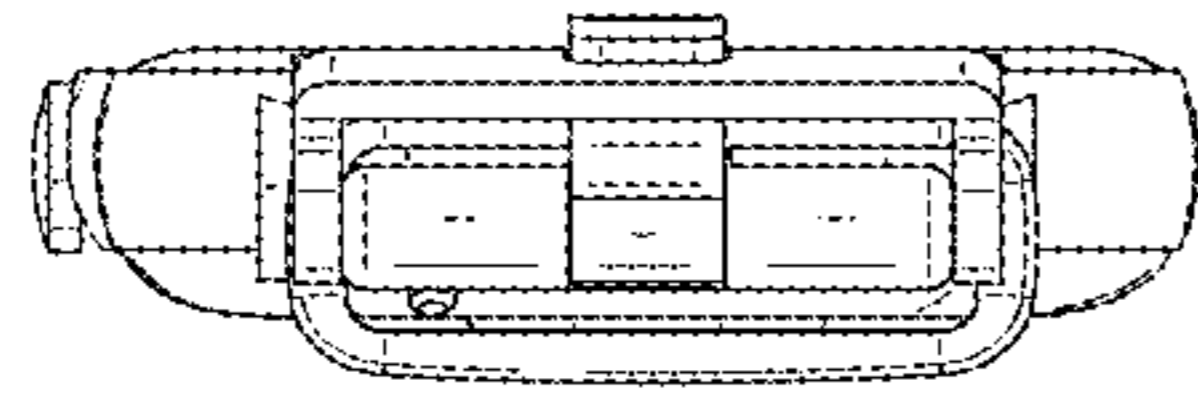


FIG. 5

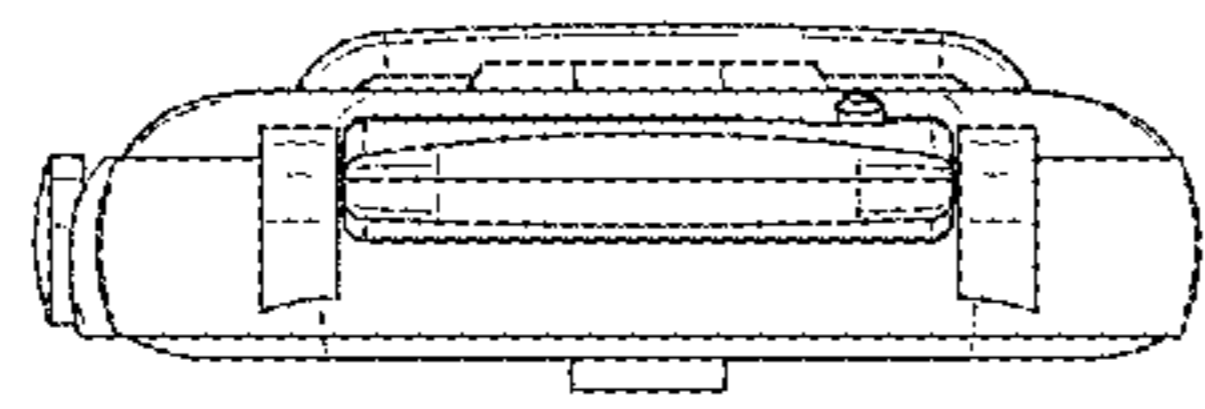


FIG. 6



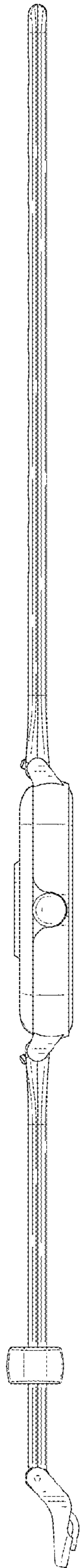


FIG. 7

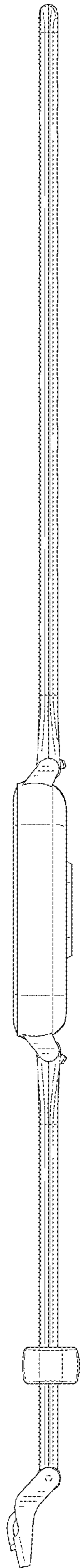


FIG. 8